

US00D501246S

(12) **United States Design Patent**
Reid et al.

(10) **Patent No.: US D501,246 S**
(45) **Date of Patent: ** Jan. 25, 2005**

(54) **LAVATORY**

(75) Inventors: **Mary J. Reid**, Sheboygan, WI (US);
Nicole A. Lanius, Sheboygan, WI (US)

(73) Assignee: **Kohler Co.**, Kohler, WI (US)

(**) Term: **14 Years**

(21) Appl. No.: **29/201,975**

(22) Filed: **Mar. 24, 2004**

(51) **LOC (7) Cl. 23-01**

(52) **U.S. Cl. D23/293.1**

(58) **Field of Search D23/270-273,**
D23/284-285, 289, 292-293.1, 303, 308;
4/662-666, 619, 643, 661, 638, 650-653

(56) **References Cited**

U.S. PATENT DOCUMENTS

D64,506 S	4/1924	Mandalian	D26/137
3,456,711 A	7/1969	Spencer	160/332
3,967,129 A	6/1976	Winkler	250/517.1
3,977,458 A	8/1976	Kuen	160/332
D361,372 S	* 8/1995	Enthoven	D23/293.1
D430,275 S	8/2000	Slothower	D23/284
D475,771 S	* 6/2003	Svendsen et al.	D23/293.1

OTHER PUBLICATIONS

2001 Kallista catalog ad, p. 2.4, showing a "Michael Smith" console table lavatory.
2000 Kohler catalog ad, p. 6.18, showing a fringed rectangular carpet adjacent various "Memoirs" plumbing fixtures.

* cited by examiner

Primary Examiner—Robert A. Delehanty
(74) *Attorney, Agent, or Firm*—Quarles & Brady LLP

(57) **CLAIM**

The ornamental design for a lavatory, as shown and described.

DESCRIPTION

In a preferred embodiment, the nature of this product is as a plumbing fixture in the form of a lavatory which is primarily useful for washing the body parts of humans.

FIG. 1 is a left, top, front perspective view of a lavatory embodying my new design;

FIG. 2 is a top plan view thereof;

FIG. 3 is a front elevational view thereof;

FIG. 4 is a left side elevational view thereof, the right side elevational view thereof being a mirror image of the left side shown;

FIG. 5 is a rear elevational view thereof;

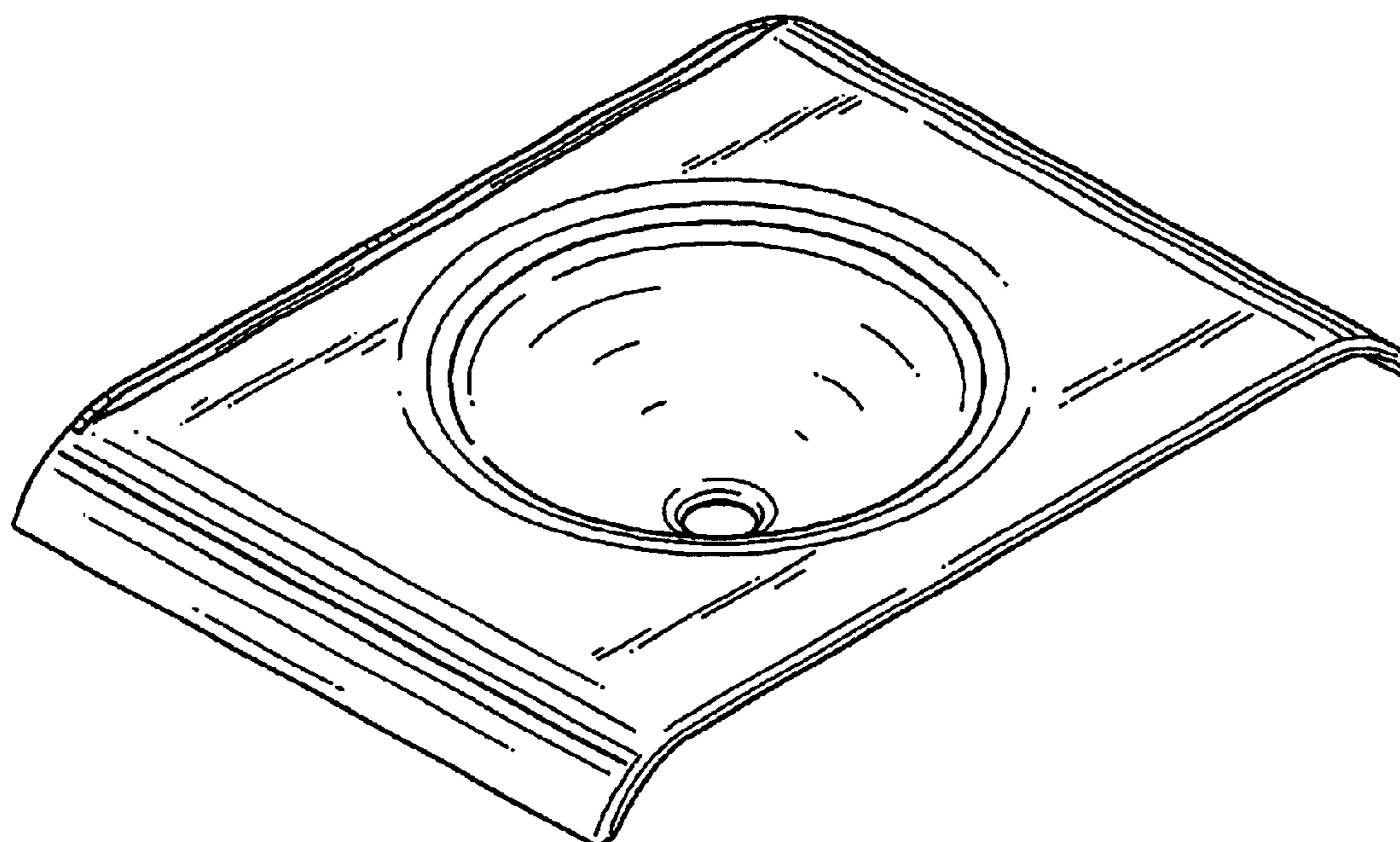
FIG. 6 is a bottom plan view thereof;

FIG. 7 is a cross-sectional view thereof taken along line 7—7 of FIG. 2; and,

FIG. 8 is a cross-sectional view thereof taken along line 8—8 of FIG. 2.

The broken line representation of holes in FIGS. 3, 5 and 7 are for the purpose of illustration only and form no part of the claimed design.

1 Claim, 3 Drawing Sheets



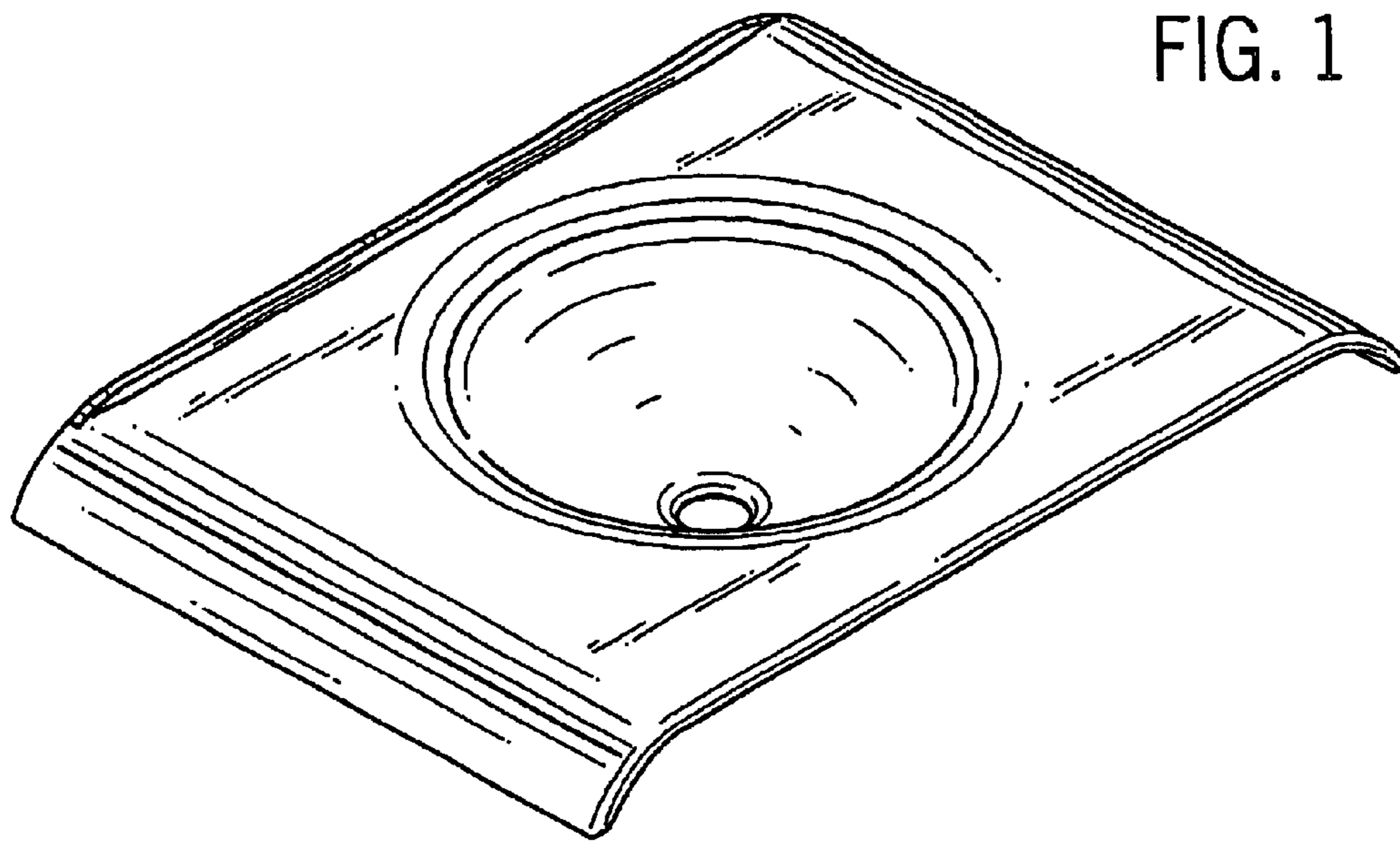
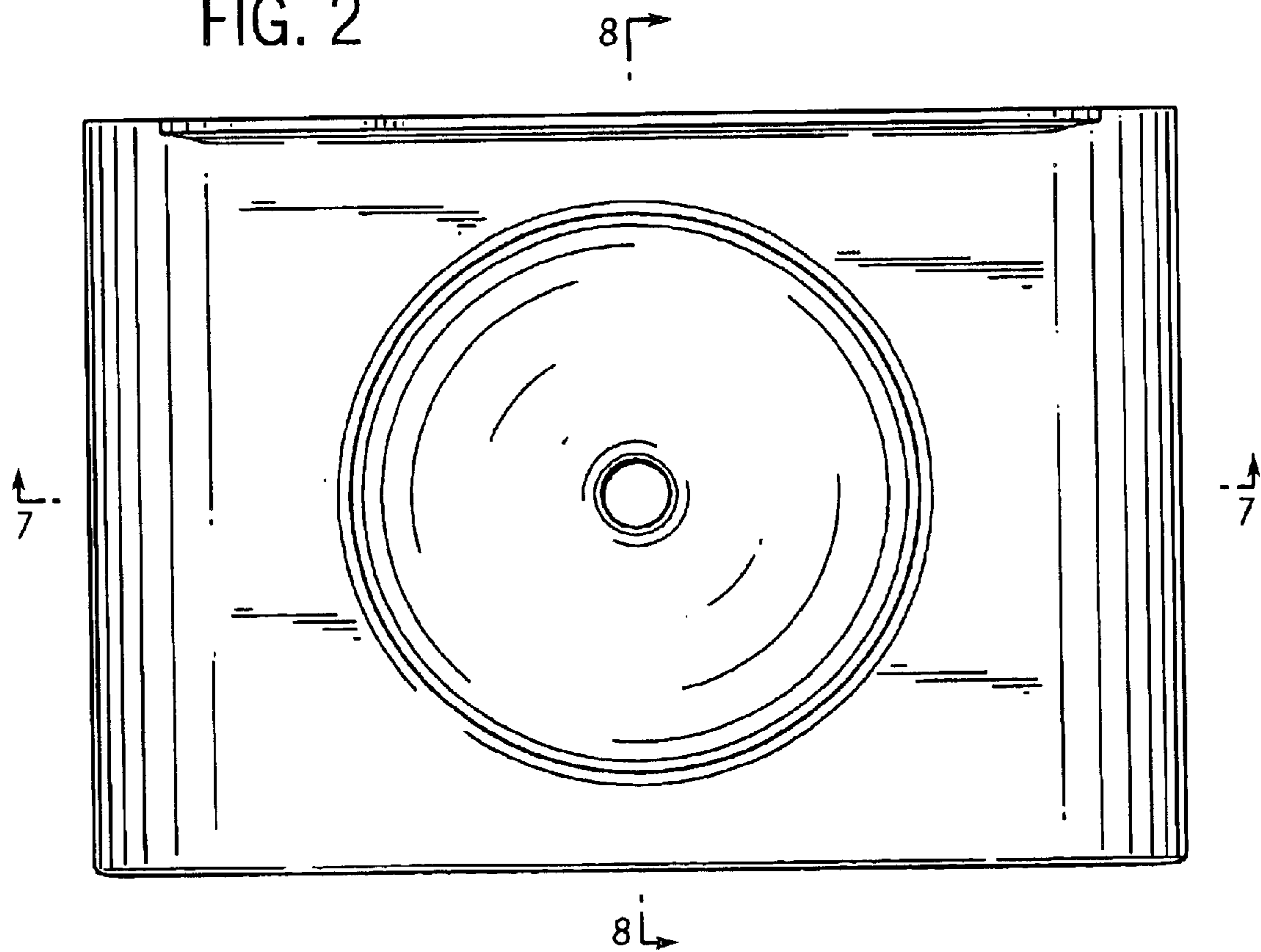


FIG. 2



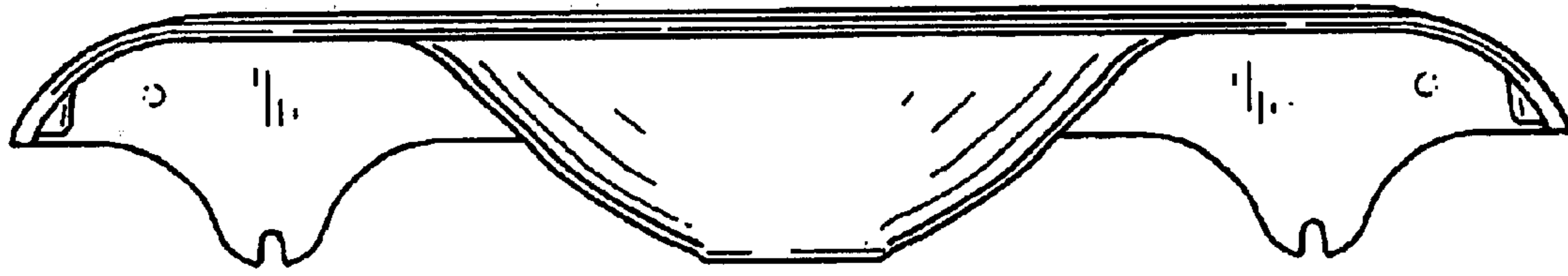


FIG. 3

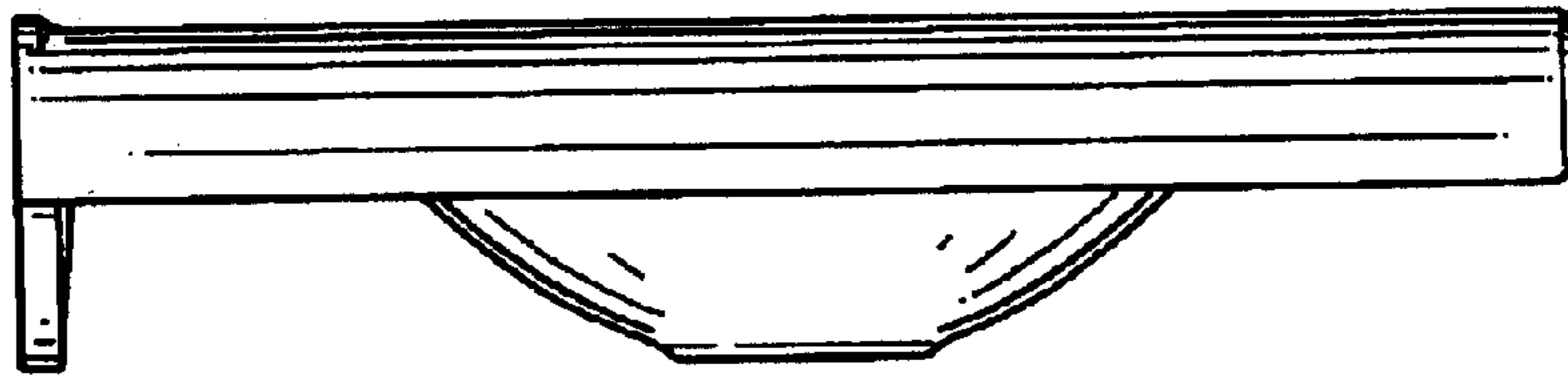


FIG. 4

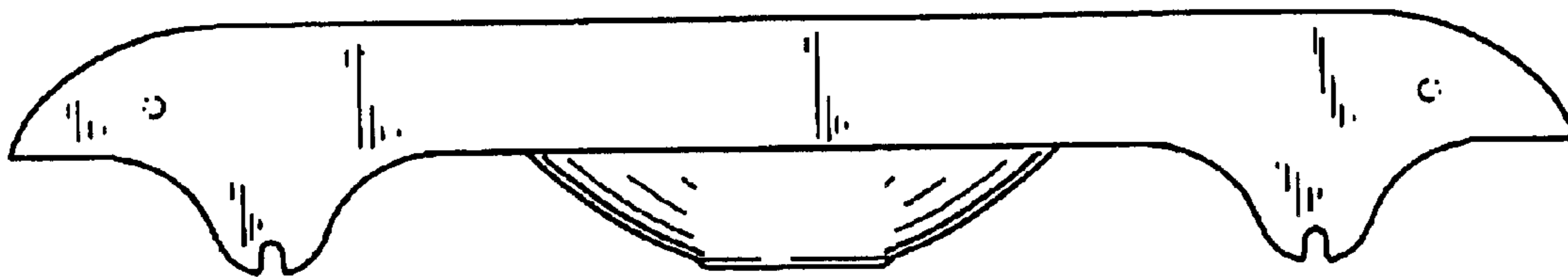


FIG. 5

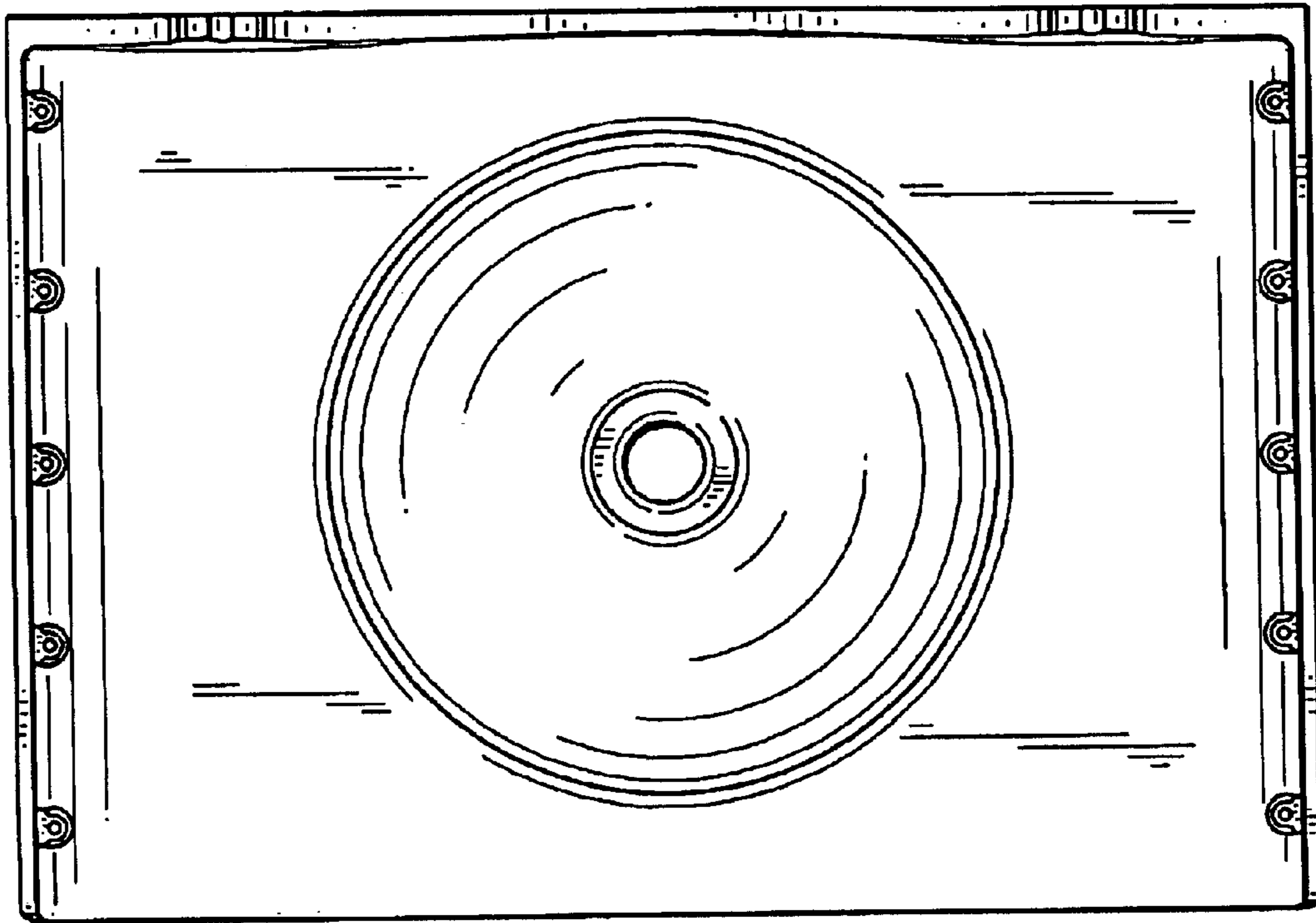


FIG. 6

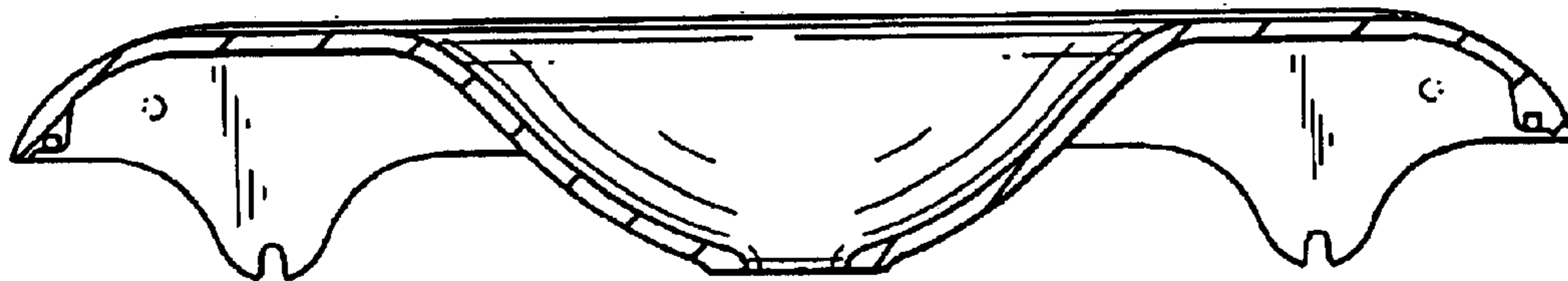


FIG. 7

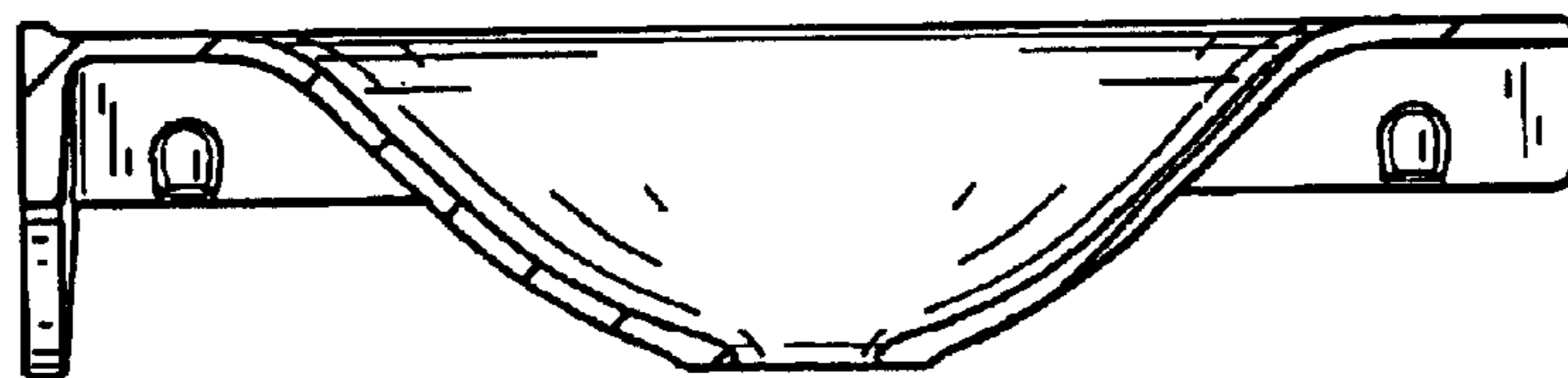


FIG. 8