

US00D501245S

(12) **United States Design Patent**
DiMarco

(10) **Patent No.:** **US D501,245 S**
(45) **Date of Patent:** **** Jan. 25, 2005**

(54) **SINK**

D469,638 S * 2/2003 O'Hare D6/480
D469,988 S * 2/2003 Stanton D6/480

(76) **Inventor:** **James DiMarco**, 14001 63rd Way, Ft. Lauderdale, FL (US) 33309

* cited by examiner

(**) **Term:** **14 Years**

Primary Examiner—Robert A. Delehanty
(74) *Attorney, Agent, or Firm*—Melvin K. Silverman

(21) **Appl. No.:** **29/190,187**

(57) **CLAIM**

(22) **Filed:** **Sep. 17, 2003**

The new and ornamental design for a sink, as shown and described herein.

(51) **LOC (7) Cl.** **23-02**

(52) **U.S. Cl.** **D23/284**

(58) **Field of Search** D23/271, 273,
D23/284–286, 293.1, 303, 308; 4/663–665,
619, 630, 631, 638, 643, 661; D6/480

DESCRIPTION

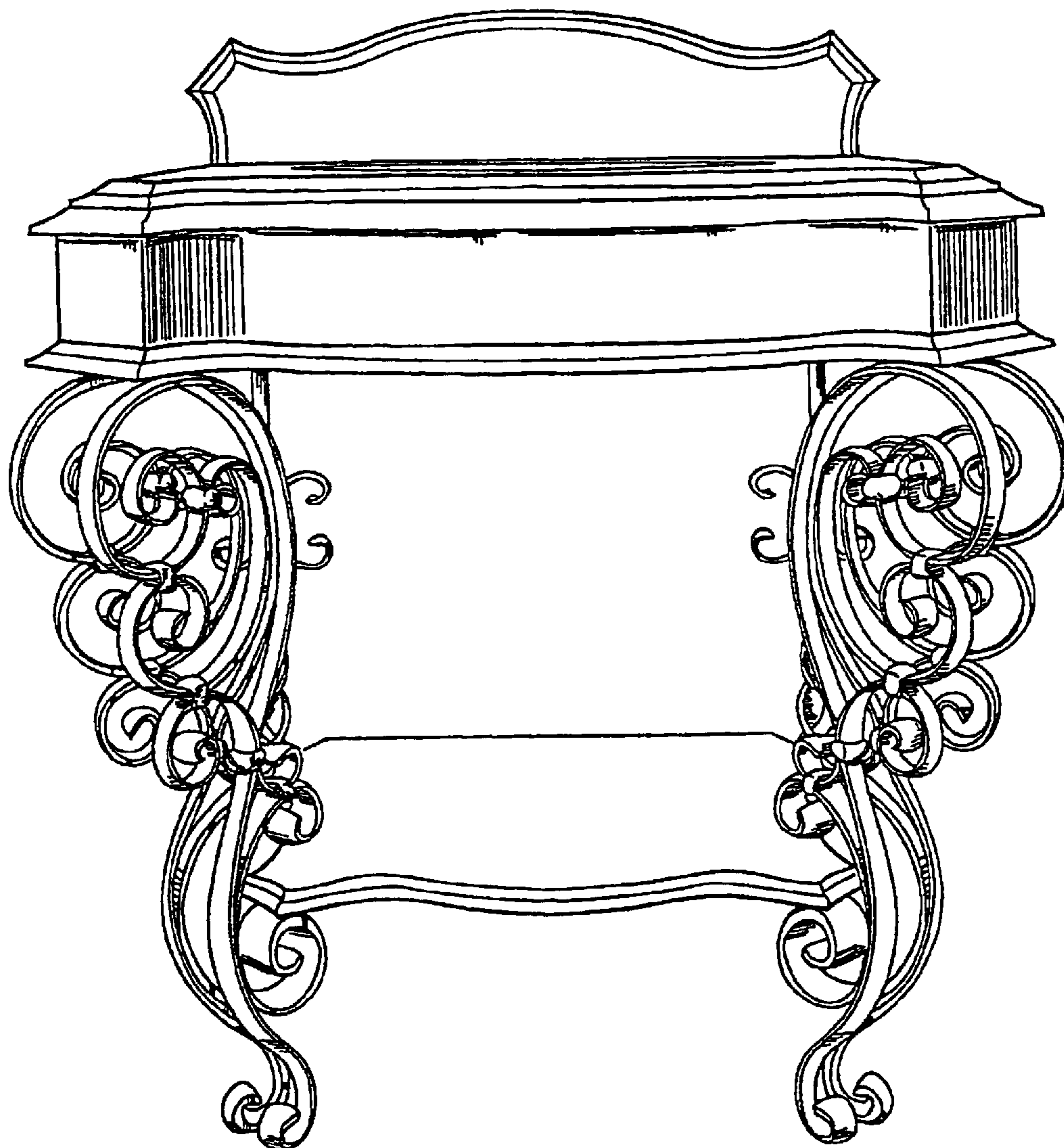
FIG. 1 is a front elevational view;
FIG. 2 is a left side elevational view, of which the right side view is a mirror image thereof;
FIG. 3 is a top plan view of my inventive design; and,
FIG. 4 is a bottom plan view thereof.

(56) **References Cited**

U.S. PATENT DOCUMENTS

D415,260 S * 10/1999 Jones D23/284

1 Claim, 4 Drawing Sheets



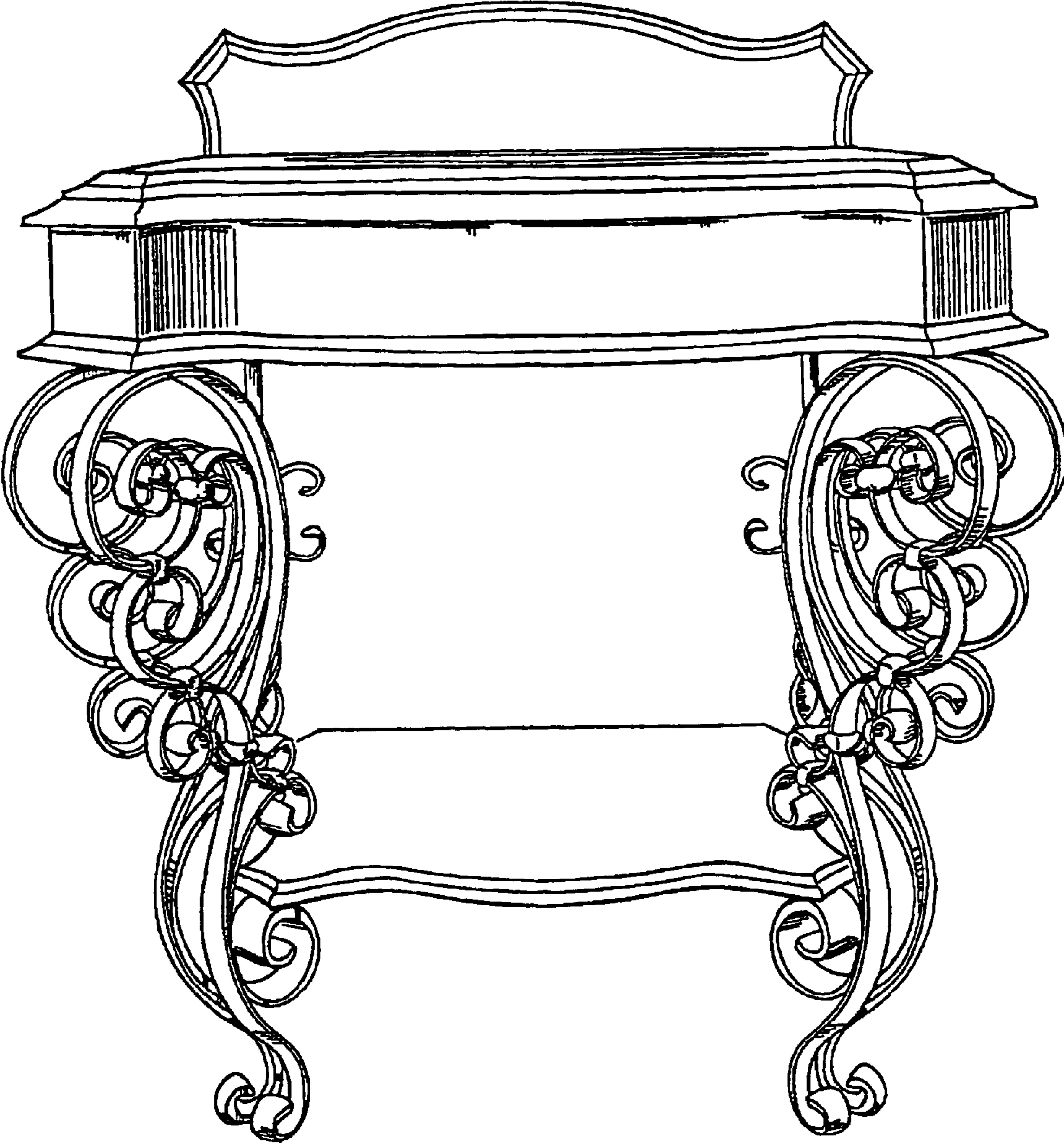


FIG. 1

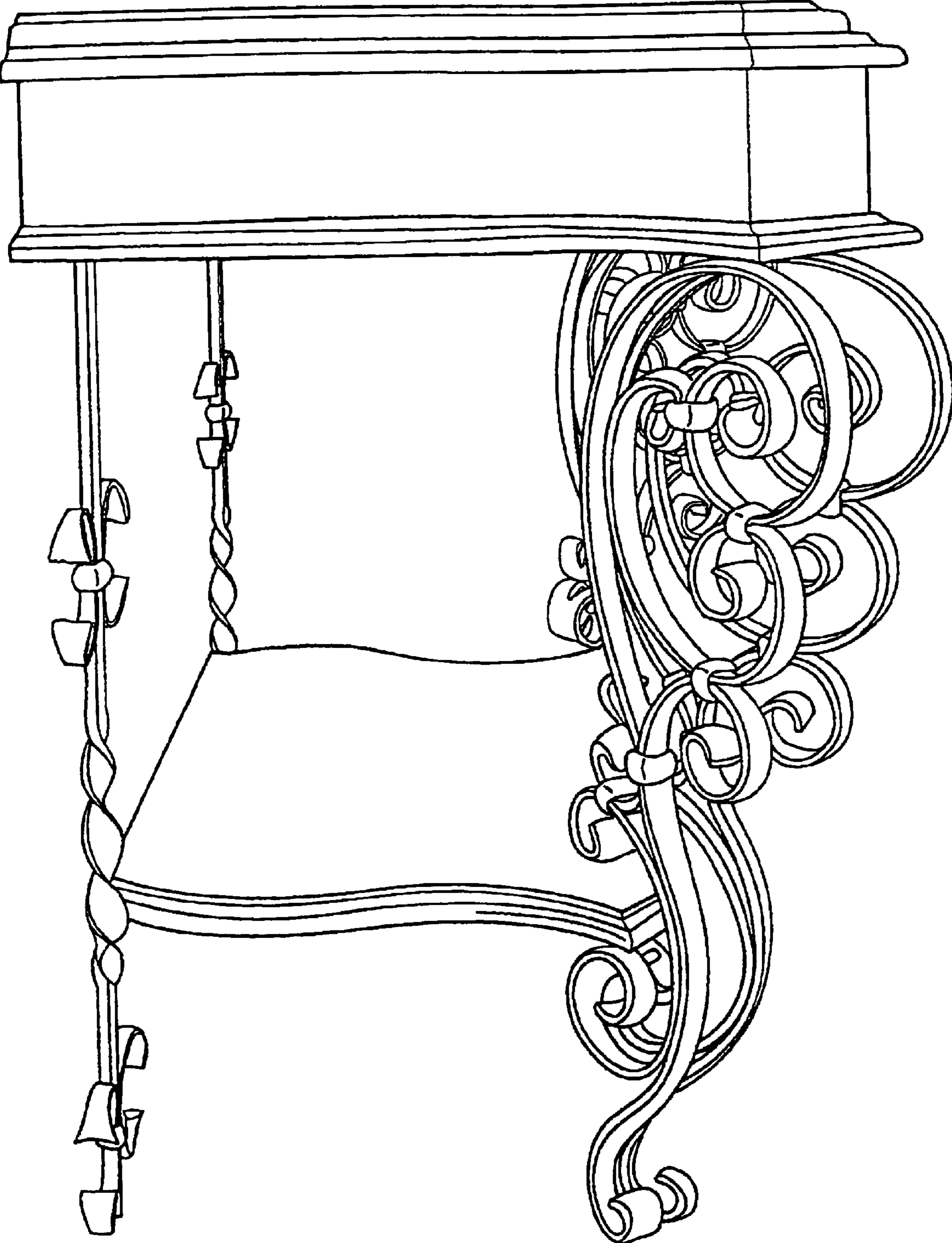


FIG. 2

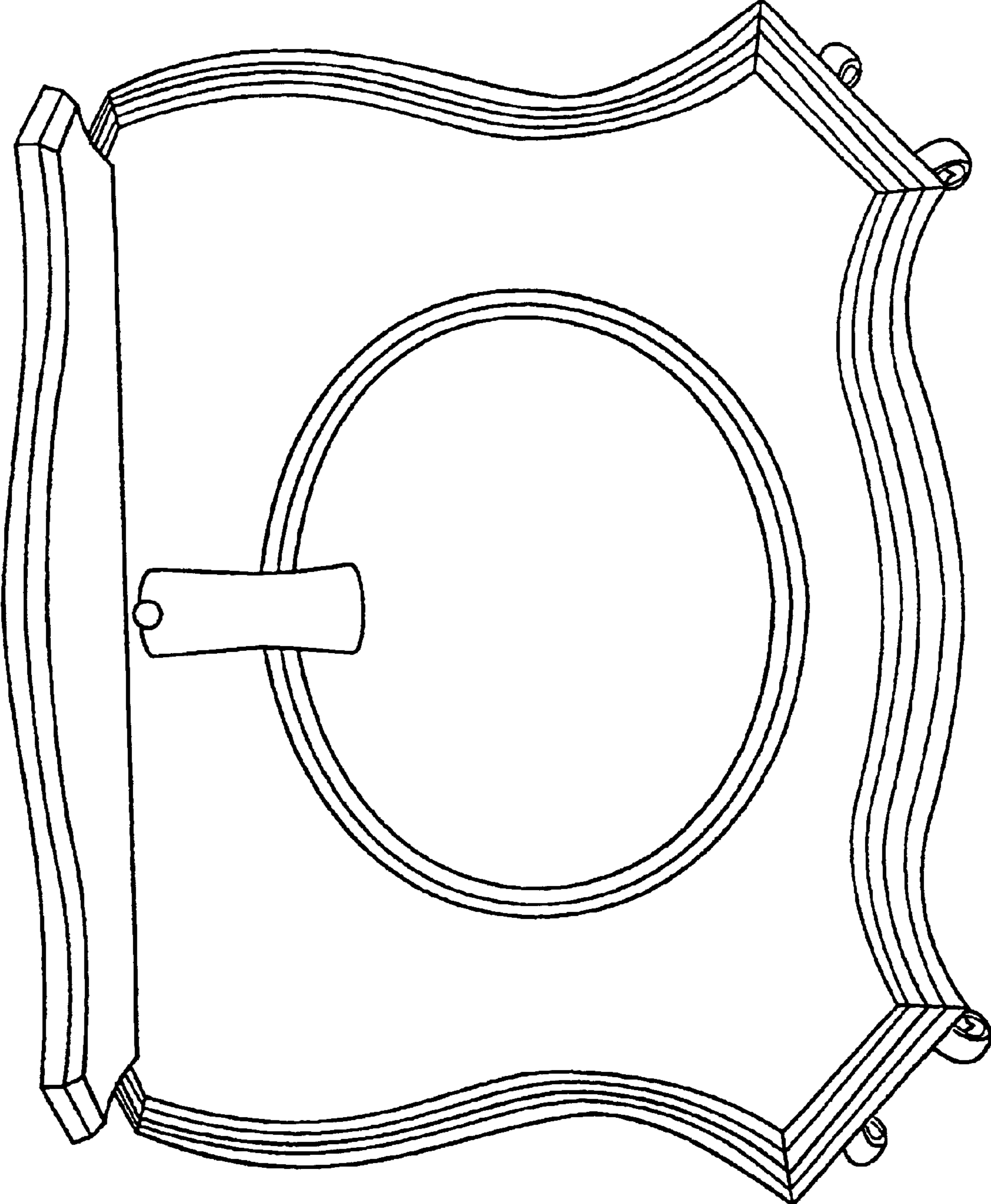


FIG. 3

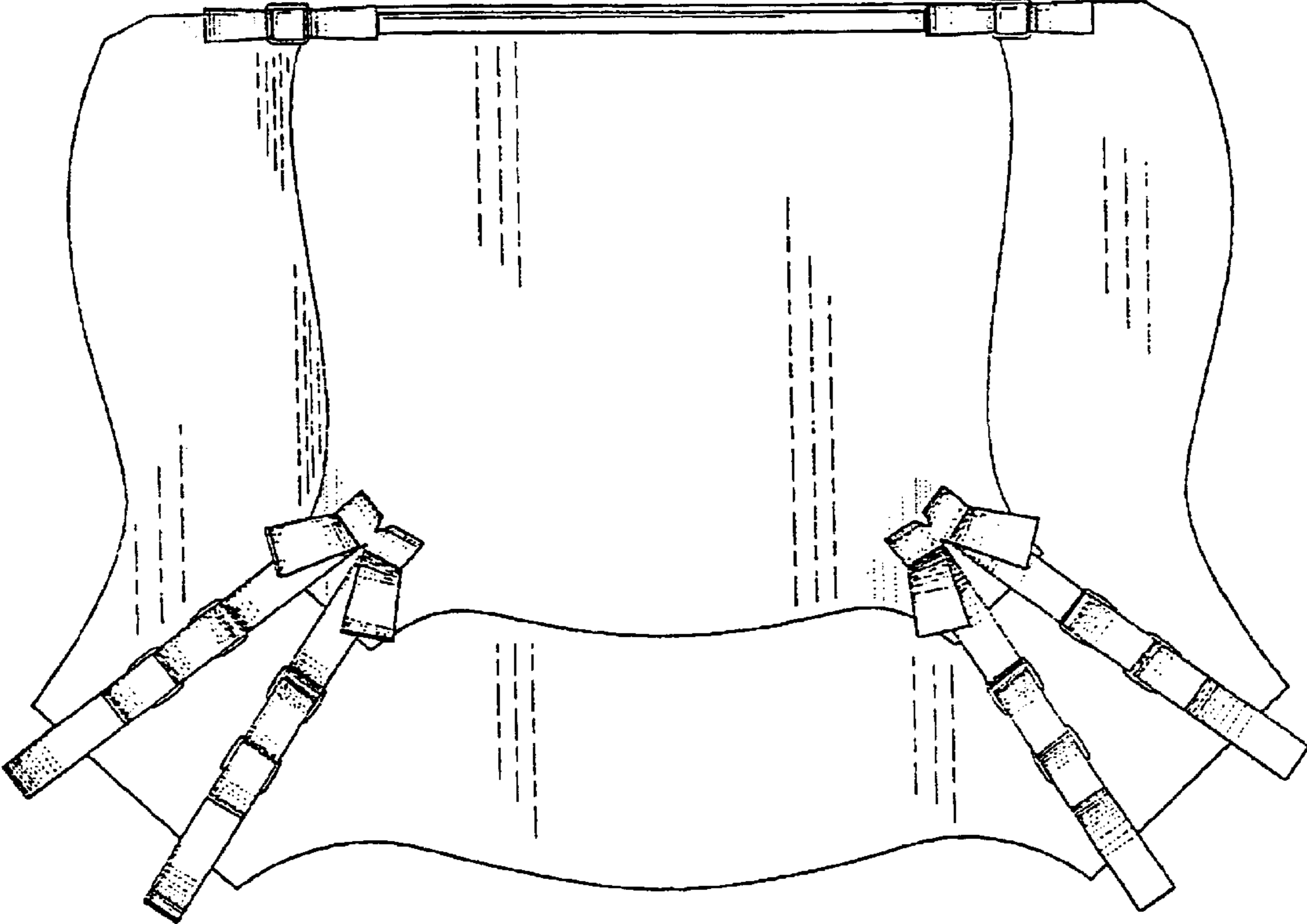


FIG. 4