

US00D501243S

(12) **United States Design Patent**
Blomstrom

(10) **Patent No.:** **US D501,243 S**
(45) **Date of Patent:** **** Jan. 25, 2005**

(54) **SHOWERHEAD**

(75) Inventor: **John K. Blomstrom**, Sheboygan Falls, WI (US)

(73) Assignee: **Kohler Co.**, Kohler, WI (US)

(**) Term: **14 Years**

(21) Appl. No.: **29/194,578**

(22) Filed: **Nov. 26, 2003**

(51) **LOC (7) Cl.** **23-01**

(52) **U.S. Cl.** **D23/229**

(58) **Field of Search** D23/213, 223,
D23/226, 229, 230; 239/282, 283

(56) **References Cited**

U.S. PATENT DOCUMENTS

D261,417 S	*	10/1981	Klose	D23/229
D465,551 S	*	11/2002	Tse	D23/229
D475,119 S	*	5/2003	Colligan et al.	D23/213
D475,433 S	*	6/2003	Citterio	D23/213
D487,498 S	*	3/2004	Blomstrom	D23/213
D492,008 S	*	6/2004	Haug et al.	D23/229
2001/0008256 A1		7/2001	Marsh et al.		

OTHER PUBLICATIONS

2001 Kallista catalog ad showing a "Spraydome" showerhead.
Kallista catalog ad showing a "Hampstead" showerhead.
Undated Harden catalog ad, p. 74, showing a small showerhead (2D).
Undated Kohler catalog ad showing a showerhead pipe escutcheon.

Sep. 2003 Kohler catalog ad, p. 2.71, showing a "Forte" showerhead.

* cited by examiner

Primary Examiner—Robin V. Taylor

(74) *Attorney, Agent, or Firm*—Quarles & Brady LLP

(57) **CLAIM**

The ornamental design for a showerhead, as shown and described.

DESCRIPTION

In a preferred embodiment, the nature of this product is a showerhead primarily useful for enabling a water spray from a plumbing fitting.

FIG. 1 is a left, top, front perspective view of a showerhead embodying my new design;

FIG. 2 is a front elevational view thereof;

FIG. 3 is a bottom, front perspective view thereof;

FIG. 4 is a left side elevational view thereof, the right side elevational view thereof being a mirror image of the left side shown;

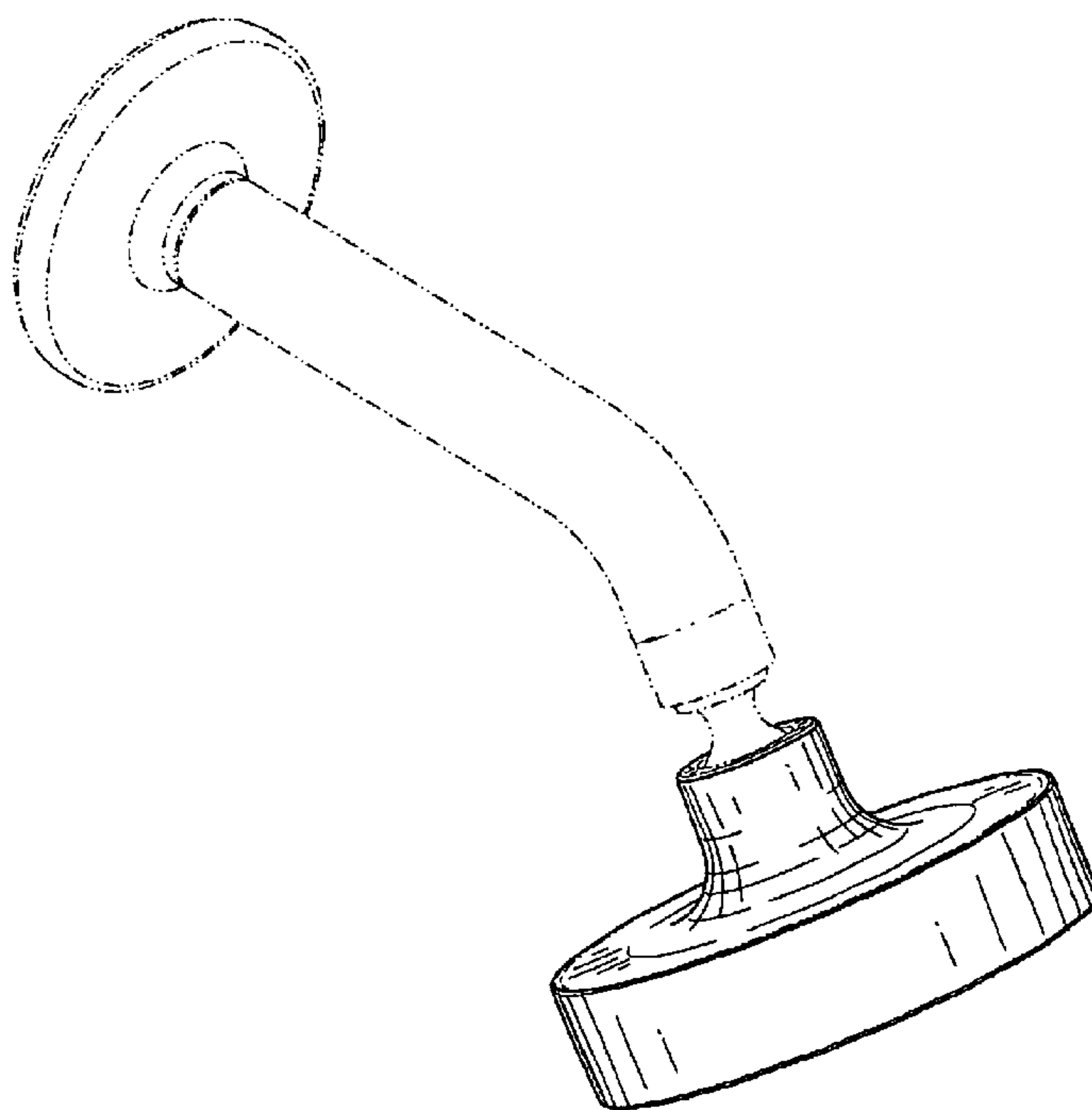
FIG. 5 is a top plan view thereof;

FIG. 6 is a bottom plan view thereof;

FIG. 7 is a left, top, front perspective of a second embodiment which is identical to the first embodiment except for the broken line representation of the pipe escutcheon; and, FIG. 8 is a left side elevational view thereof, the right side elevational view thereof being a mirror image of the left side shown.

The broken line representations of a pipe and escutcheon in FIGS. 1, 2, 4-8, of rear wall structure in FIGS. 1, 5 and 7, are for the purpose of illustration only, and form no part of the claimed design.

1 Claim, 7 Drawing Sheets



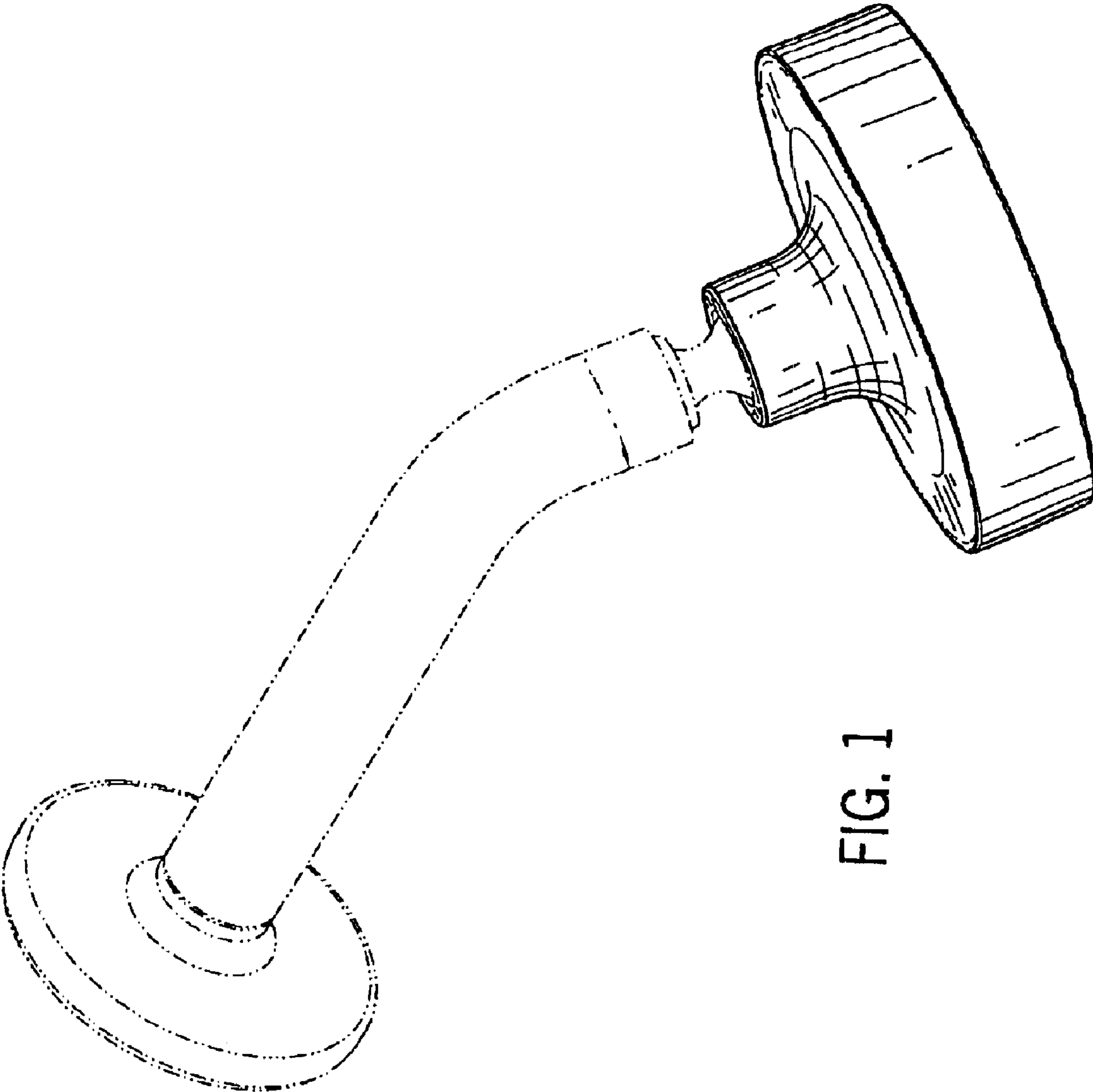


FIG. 1

FIG. 2

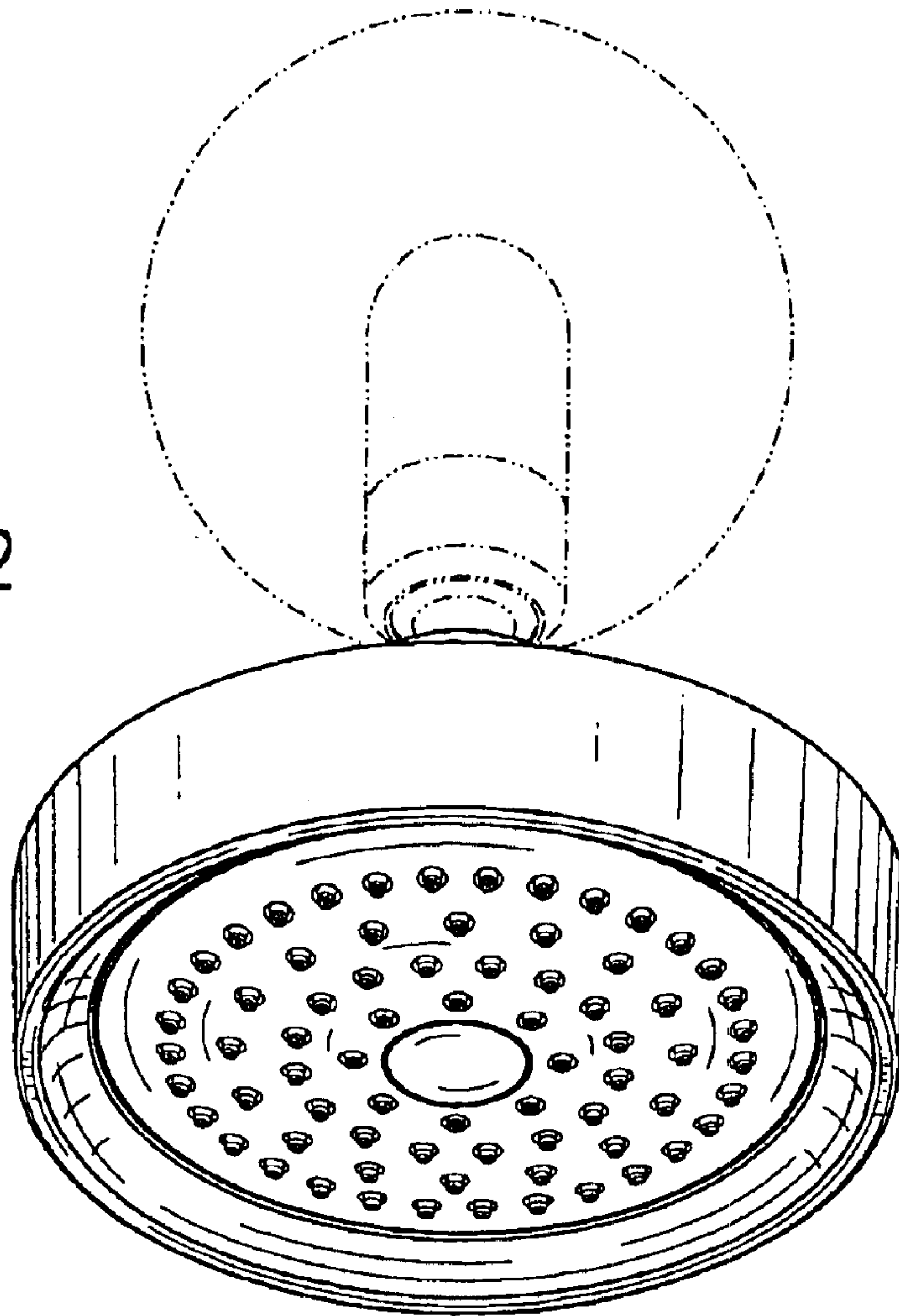
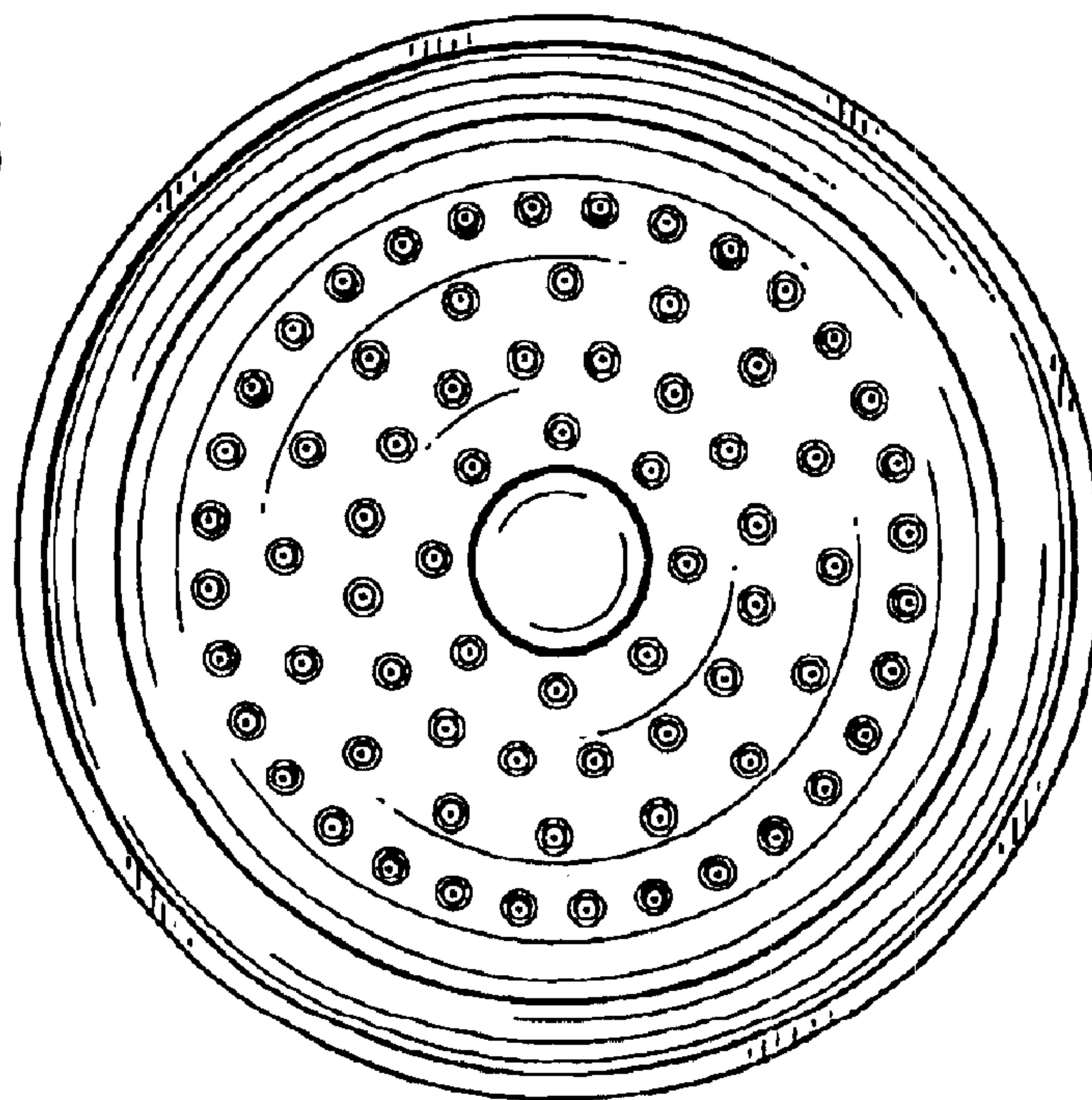


FIG. 3



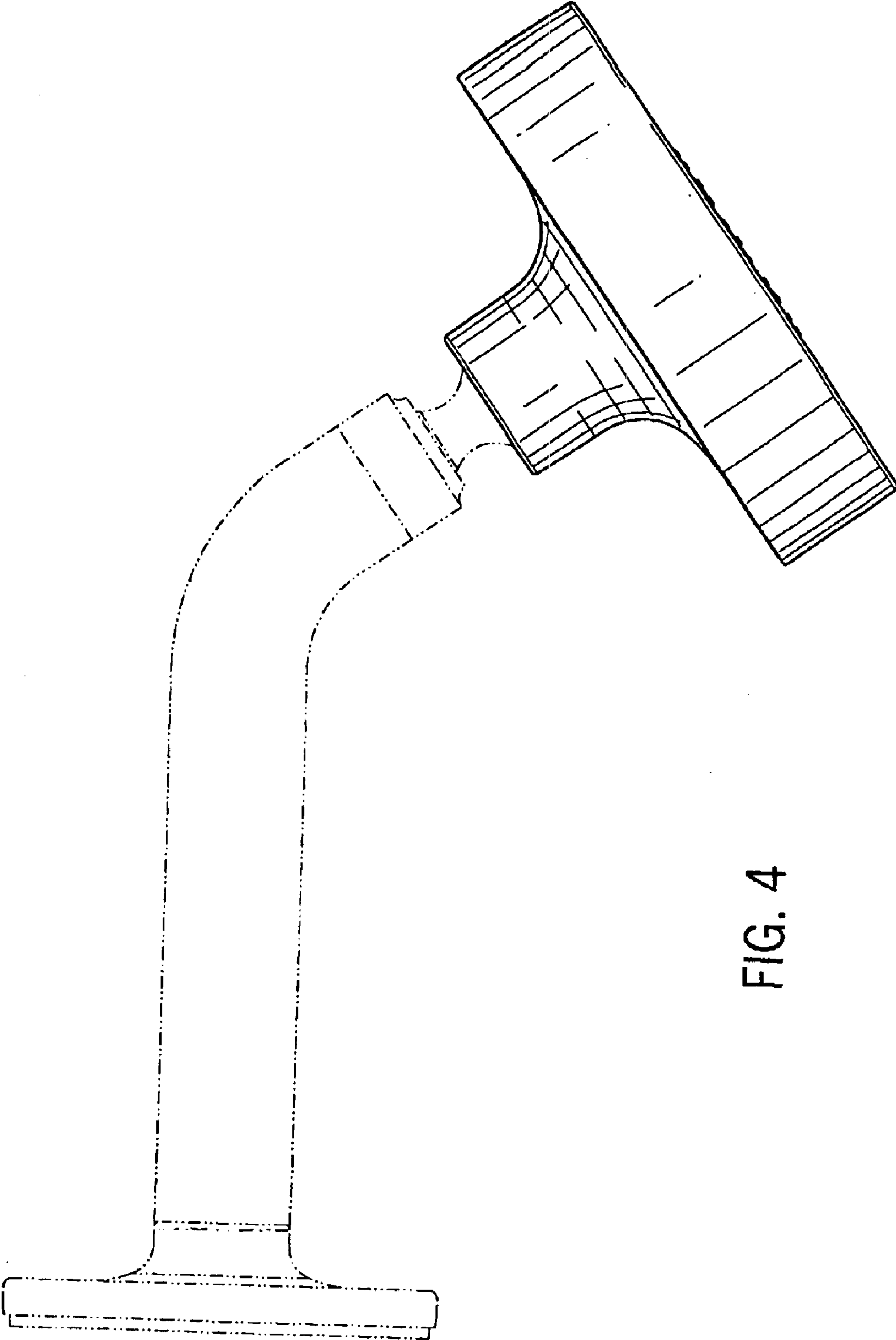


FIG. 4

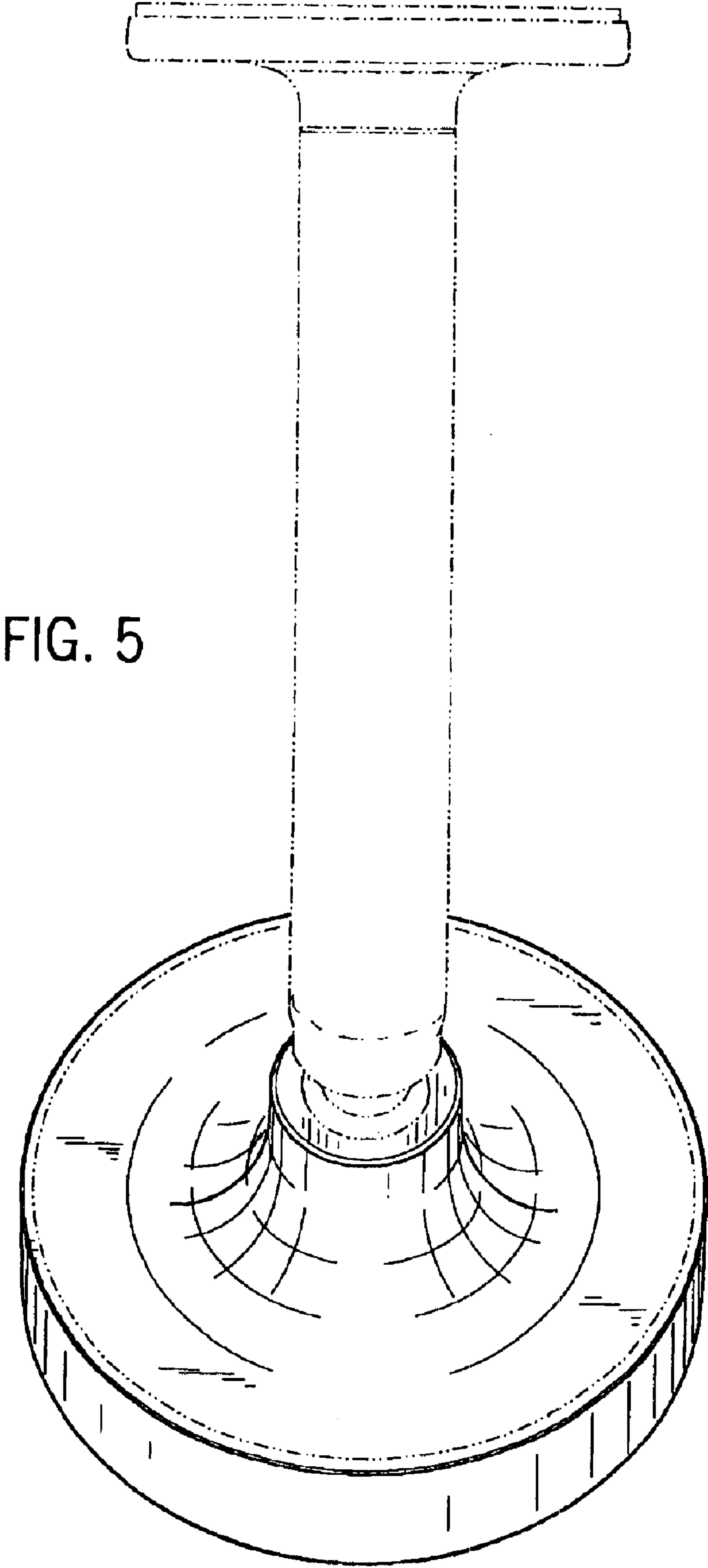


FIG. 5

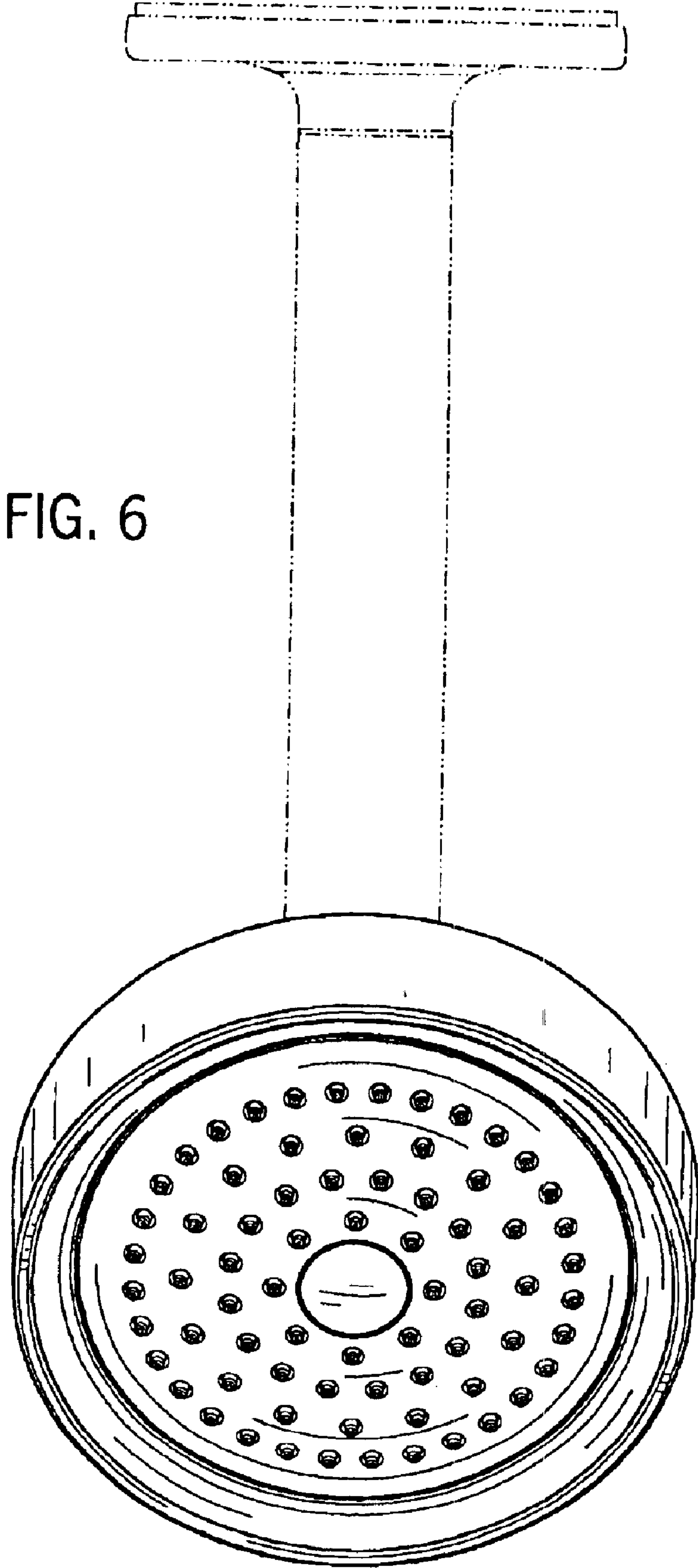


FIG. 6

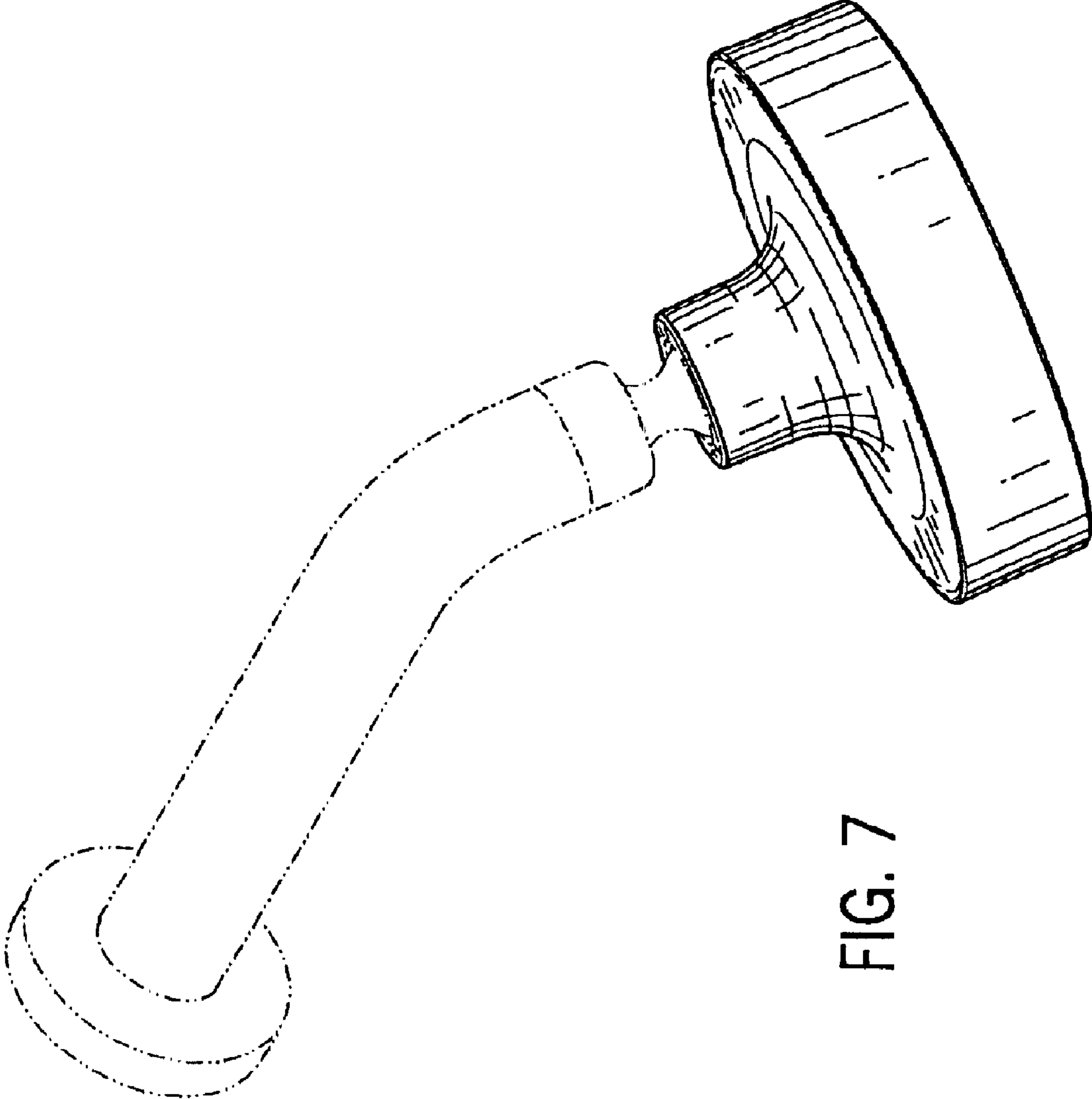


FIG. 7

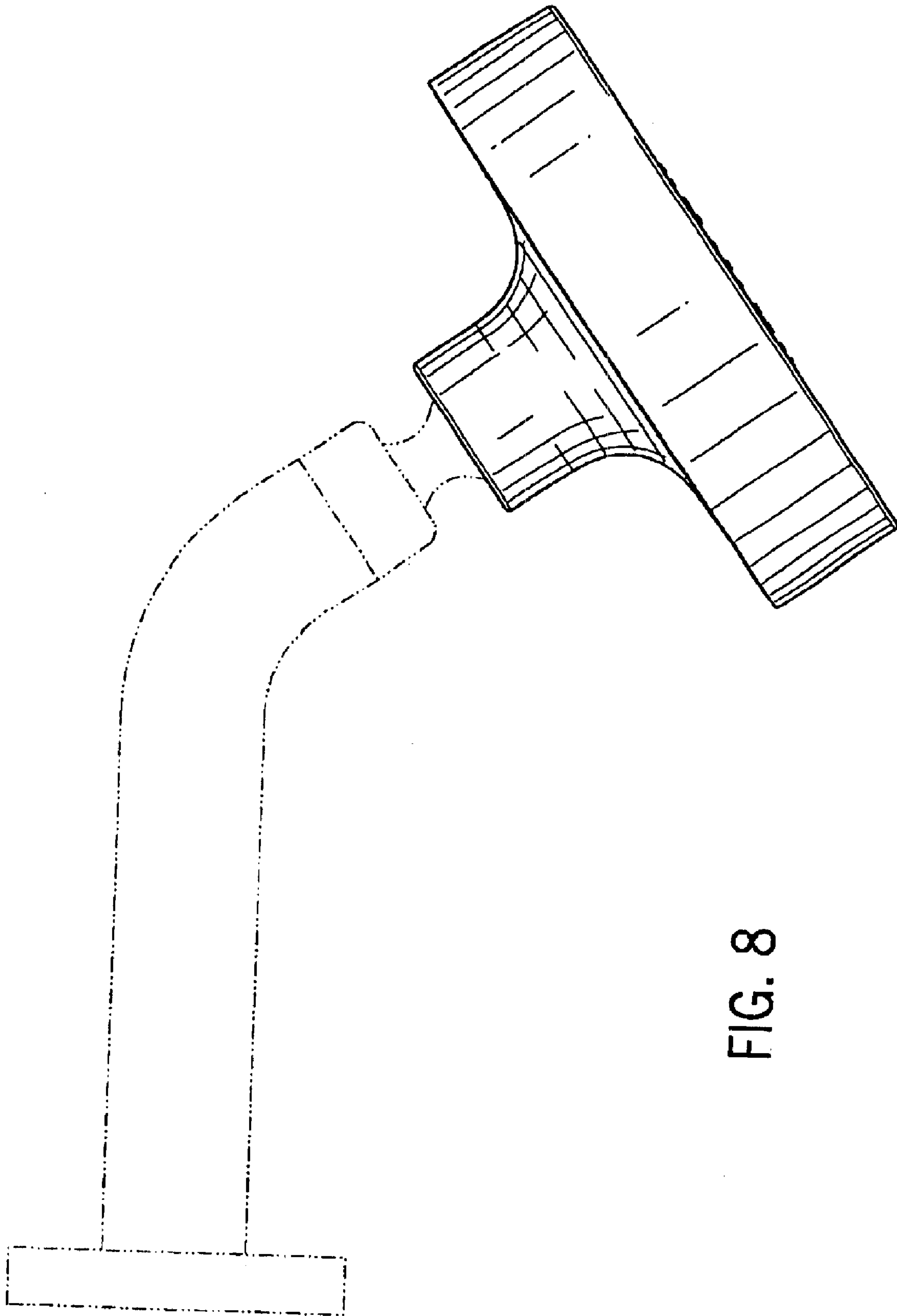


FIG. 8