

US00D501240S

(12) **United States Design Patent**
Riddell

(10) **Patent No.:** **US D501,240 S**

(45) **Date of Patent:** **** Jan. 25, 2005**

(54) **HOUSING FOR A WATER TREATMENT UNIT**

(75) **Inventor:** **Erin Riddell**, Lakewood, OH (US)

(73) **Assignee:** **Kinetico Incorporated**, Newbury, OH (US)

(**) **Term:** **14 Years**

(21) **Appl. No.:** **29/194,535**

(22) **Filed:** **Nov. 25, 2003**

Related U.S. Application Data

(62) Division of application No. 29/181,216, filed on May 7, 2003, now Pat. No. Des. 486,882.

(51) **LOC (7) Cl.** **23-01**

(52) **U.S. Cl.** **D23/207**

(58) **Field of Search** D23/207, 209;
210/435, 190

(56) **References Cited**

U.S. PATENT DOCUMENTS

D366,094 S	1/1996	Duncan et al.	
D397,764 S	9/1998	Strand	
D417,254 S	11/1999	Daws et al.	
D439,950 S	4/2001	Fletcher et al.	
D446,840 S	8/2001	Strand	
D470,912 S	* 2/2003	Daws et al.	D23/209
D472,298 S	* 3/2003	Riddell	D23/207
D477,856 S	* 7/2003	Riddell	D23/207
D482,755 S	* 11/2003	Rhinehart et al.	D23/207
D486,882 S	* 2/2004	Riddell	D23/207

OTHER PUBLICATIONS

1 pg. Website of Kinetico Incorporated, www.kinetico.co.uk/blocksoft.htm, visited Aug. 15, 2002.

1 pg. Website of Kinetico Incorporated, www.kinetico.co.uk/residential.htm, visited Aug. 15, 2002.

1 pg. Website of Ewatec, www.ewatec.com/320DC.html, visited Aug. 15, 2002.

3 pg. Website of Ewatec, www.ewatec.com/640DC.html, visited Aug. 15, 2002.

1 pg. Website of Twintec, www.twintec.biz/start.html, visited Aug. 15, 2002.

4 pg. Website of Twintec, www.twintec.biz/best/b1.html, visited Aug. 15, 2002.

* cited by examiner

Primary Examiner—Robin V. Taylor

(74) *Attorney, Agent, or Firm*—Watts Hoffmann Co., LPA

(57) **CLAIM**

I claim the ornamental design for a housing for a water treatment unit, as shown and described.

DESCRIPTION

FIG. 1 is a front perspective view of another embodiment of a housing portion for a water treatment unit of the present invention; (the broken lines in FIGS. 1–8 are for illustrative purposes only and do not form part of the invention shown in FIGS. 1–8);

FIG. 2 is an rear perspective view of the housing portion shown in FIG. 1;

FIG. 3 is a rear elevational view of the housing portion shown in FIG. 1;

FIG. 4 is a front elevational view of the housing portion shown in FIG. 1;

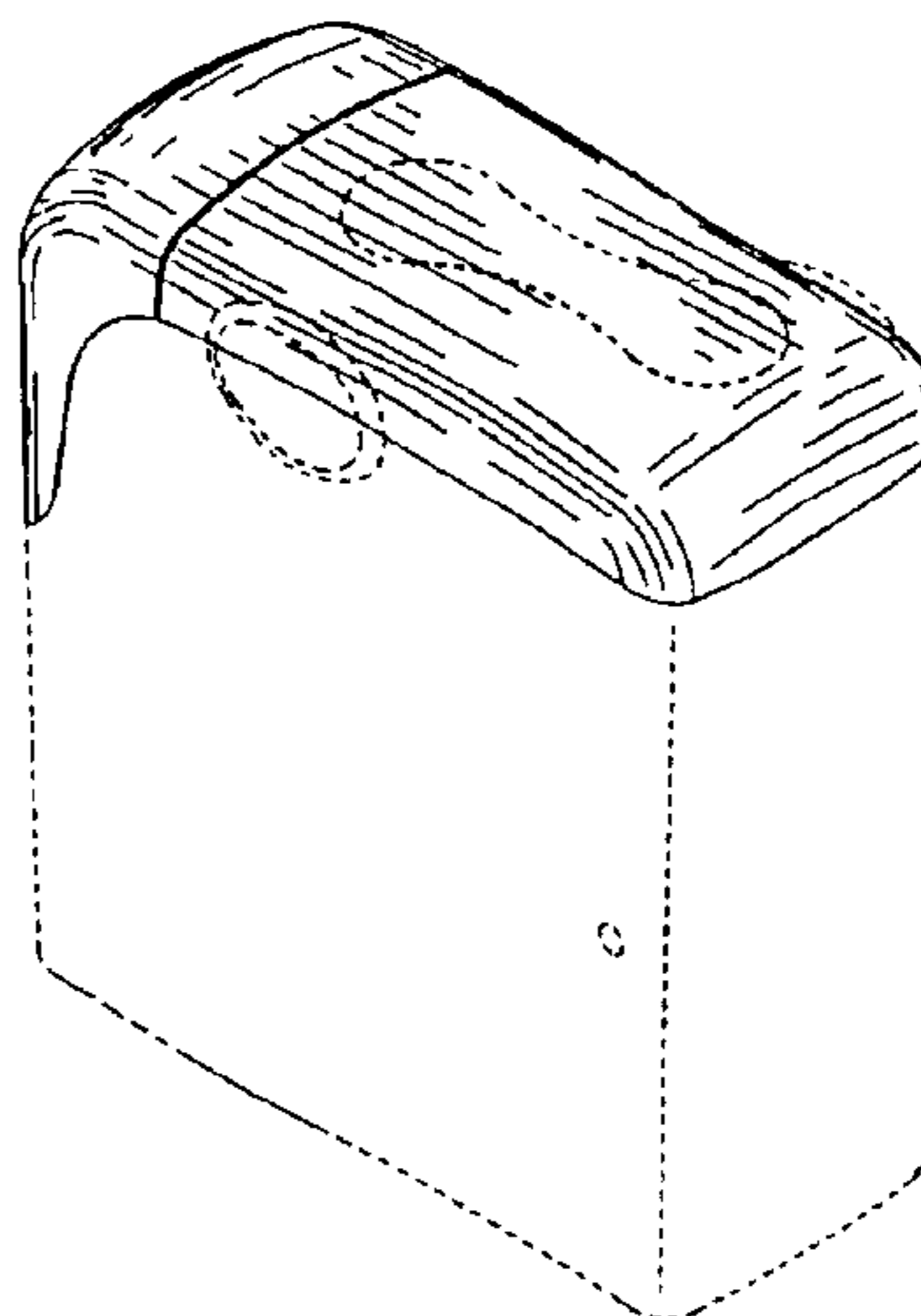
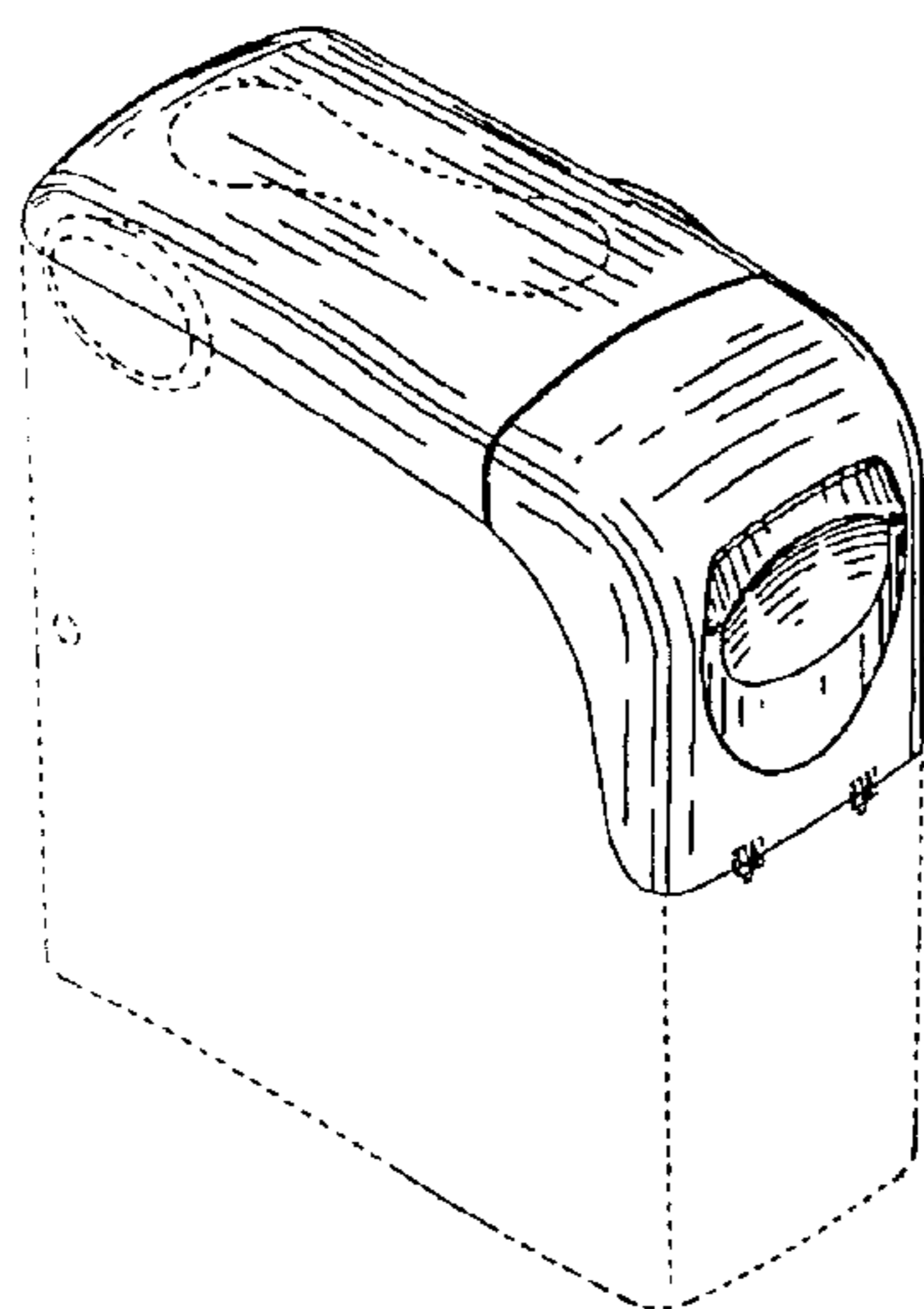
FIG. 5 is a left side elevational view of the housing portion shown in FIG. 1;

FIG. 6 is a right side elevational view of the housing portion shown in FIG. 1;

FIG. 7 is a top plan view of the housing portion shown in FIG. 1; and,

FIG. 8 is a bottom plan view of the housing portion shown in FIG. 1.

1 Claim, 2 Drawing Sheets



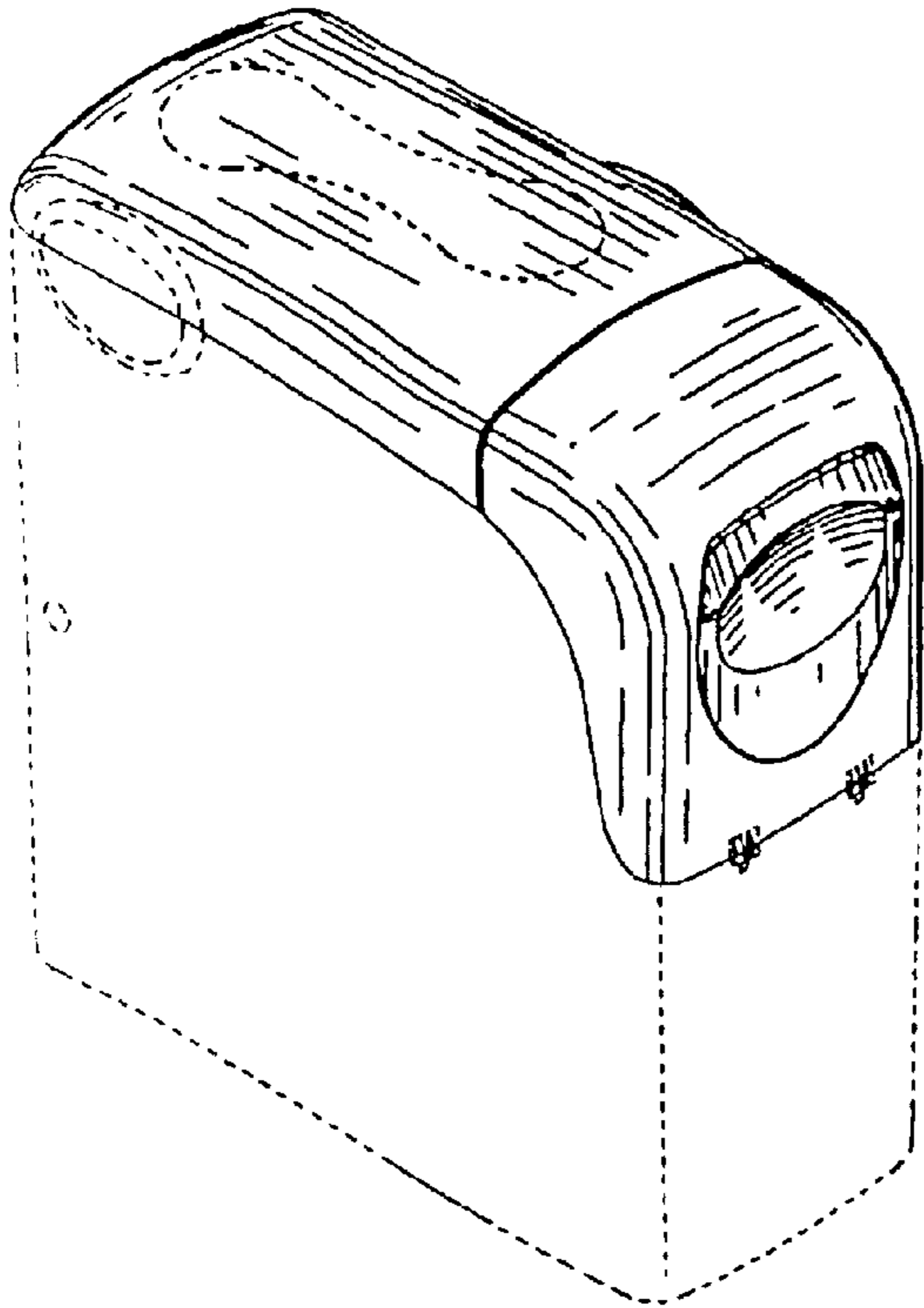


Fig.1

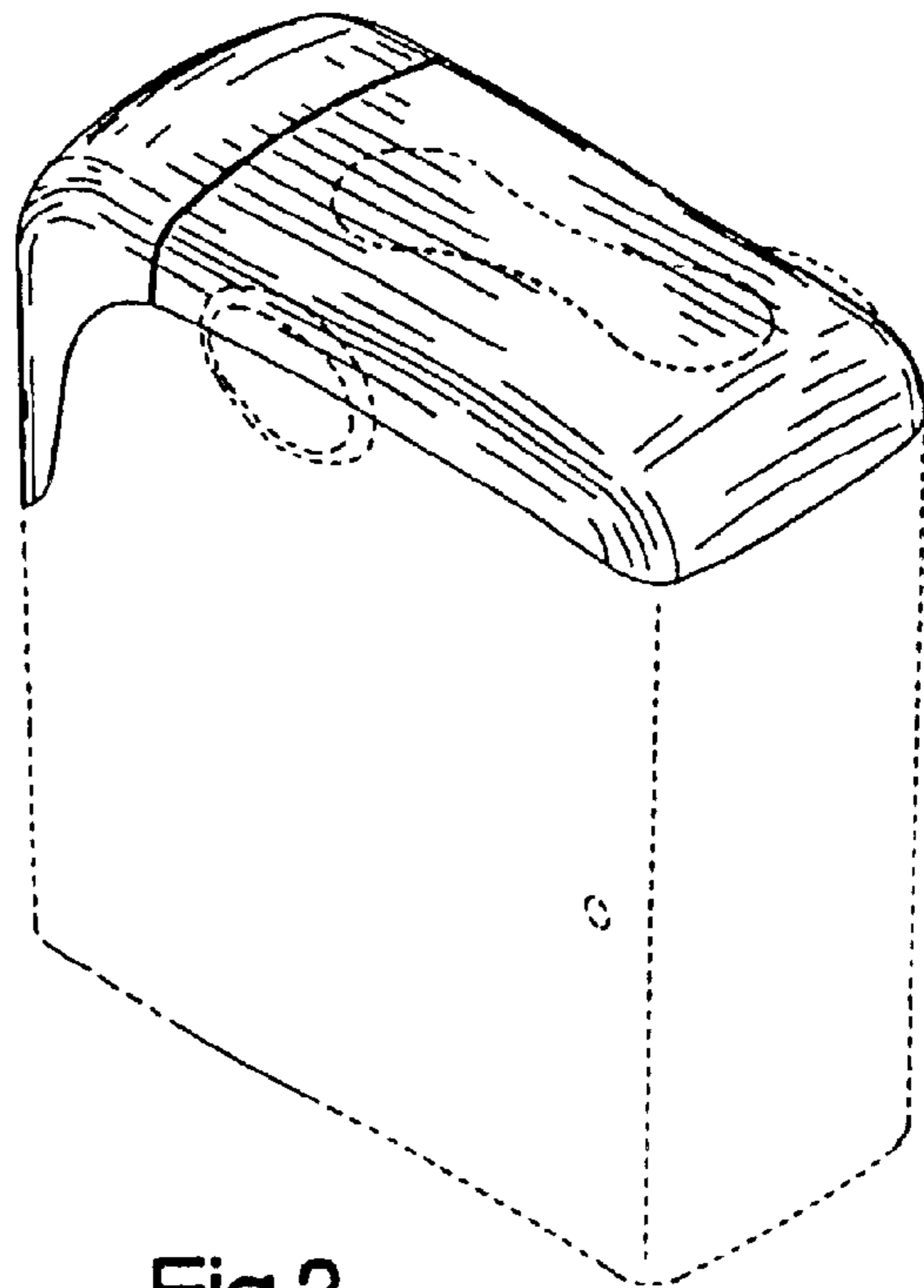


Fig.2

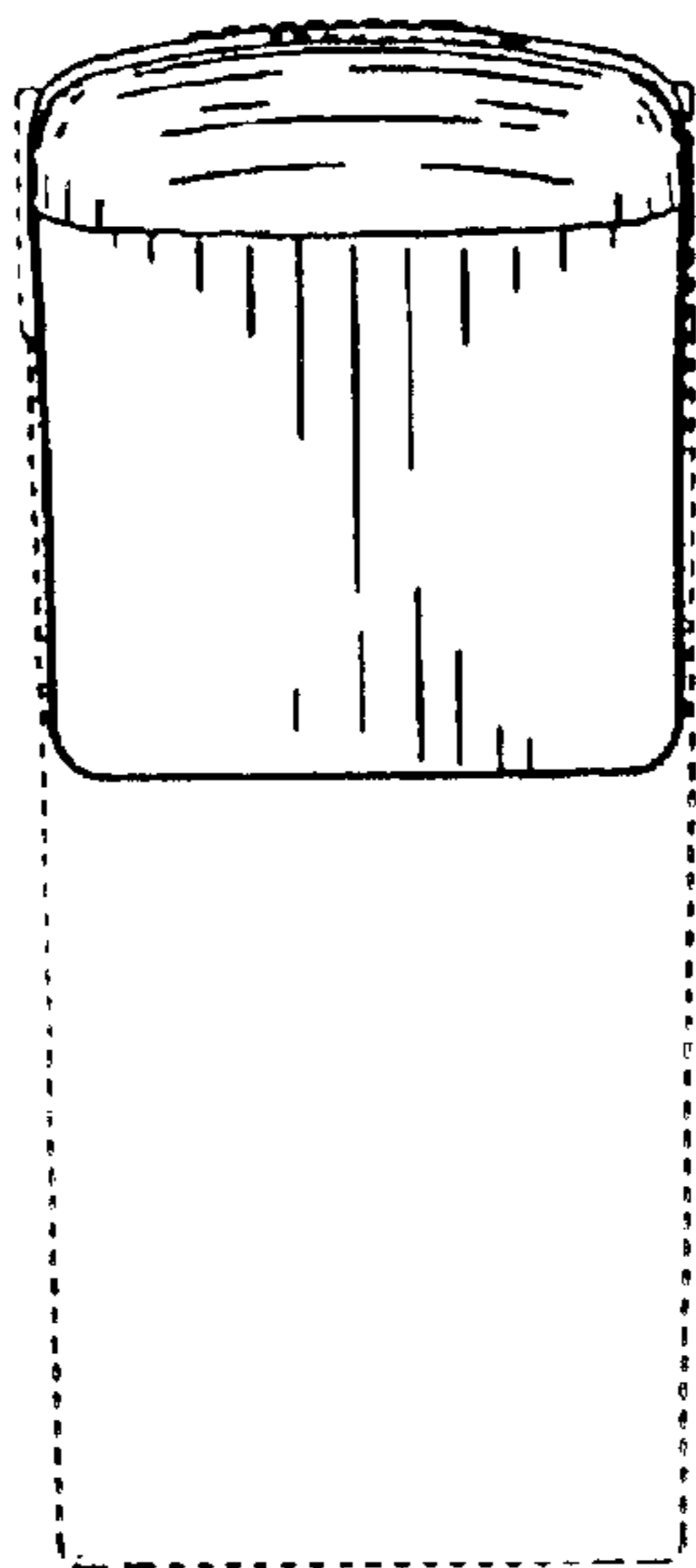


Fig.3

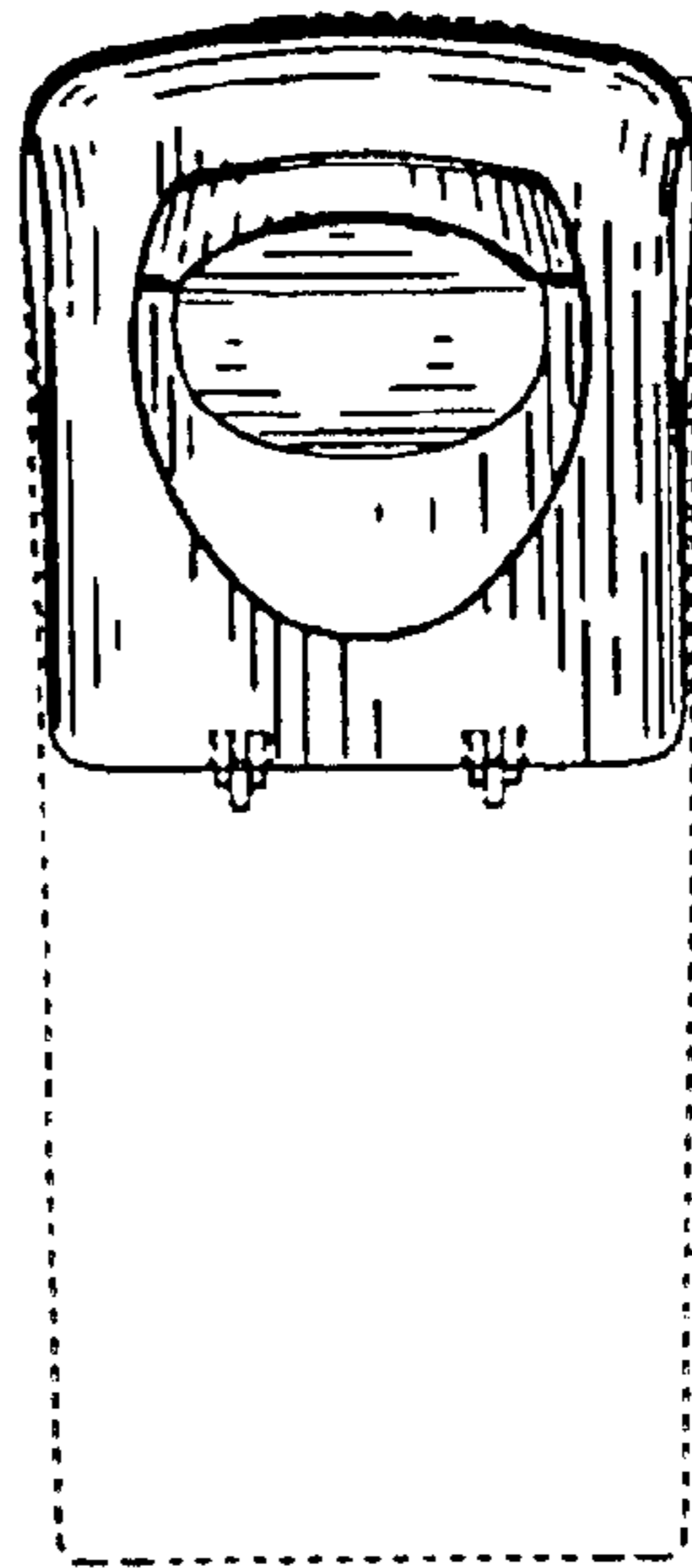


Fig.4

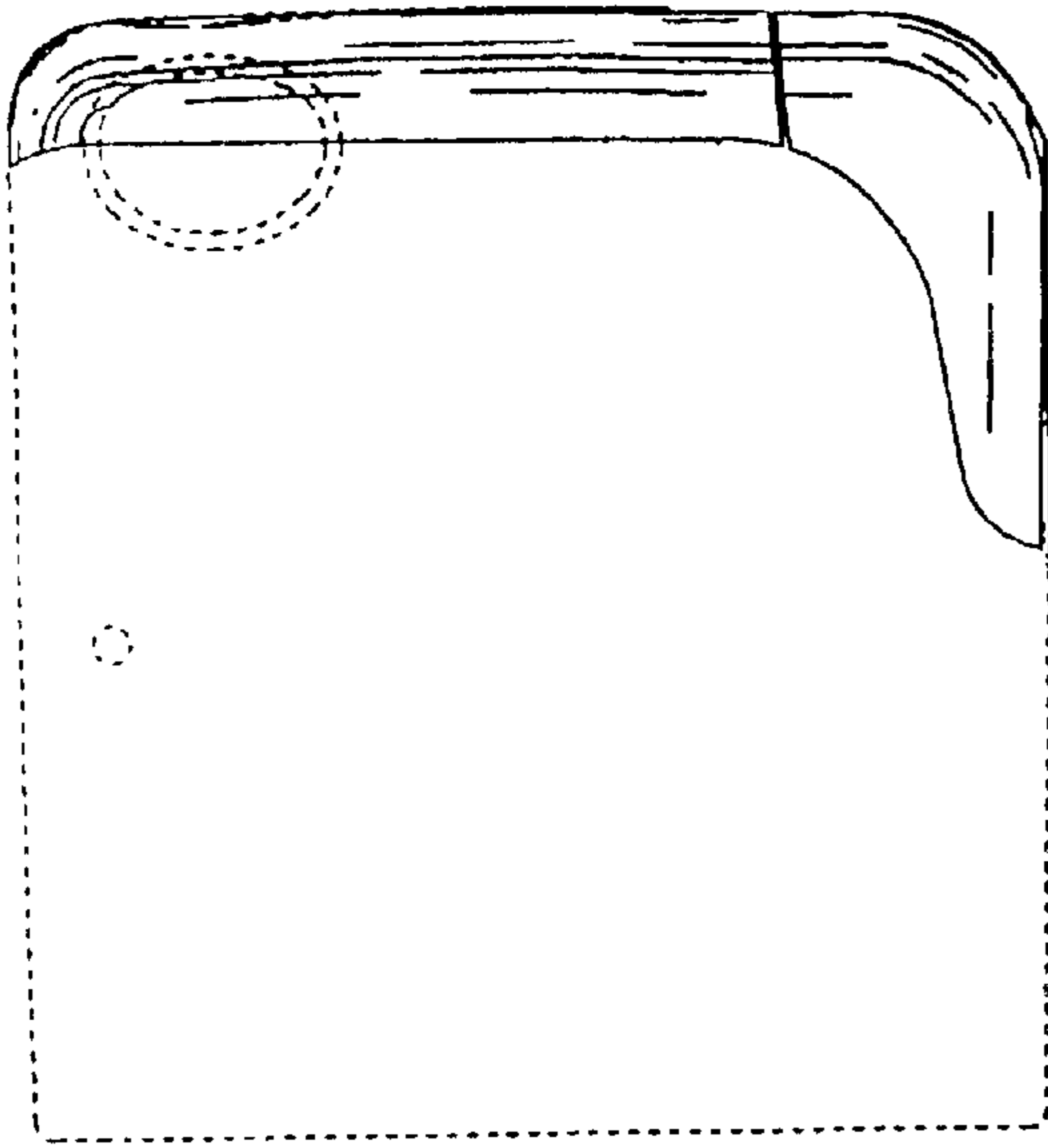


Fig.5

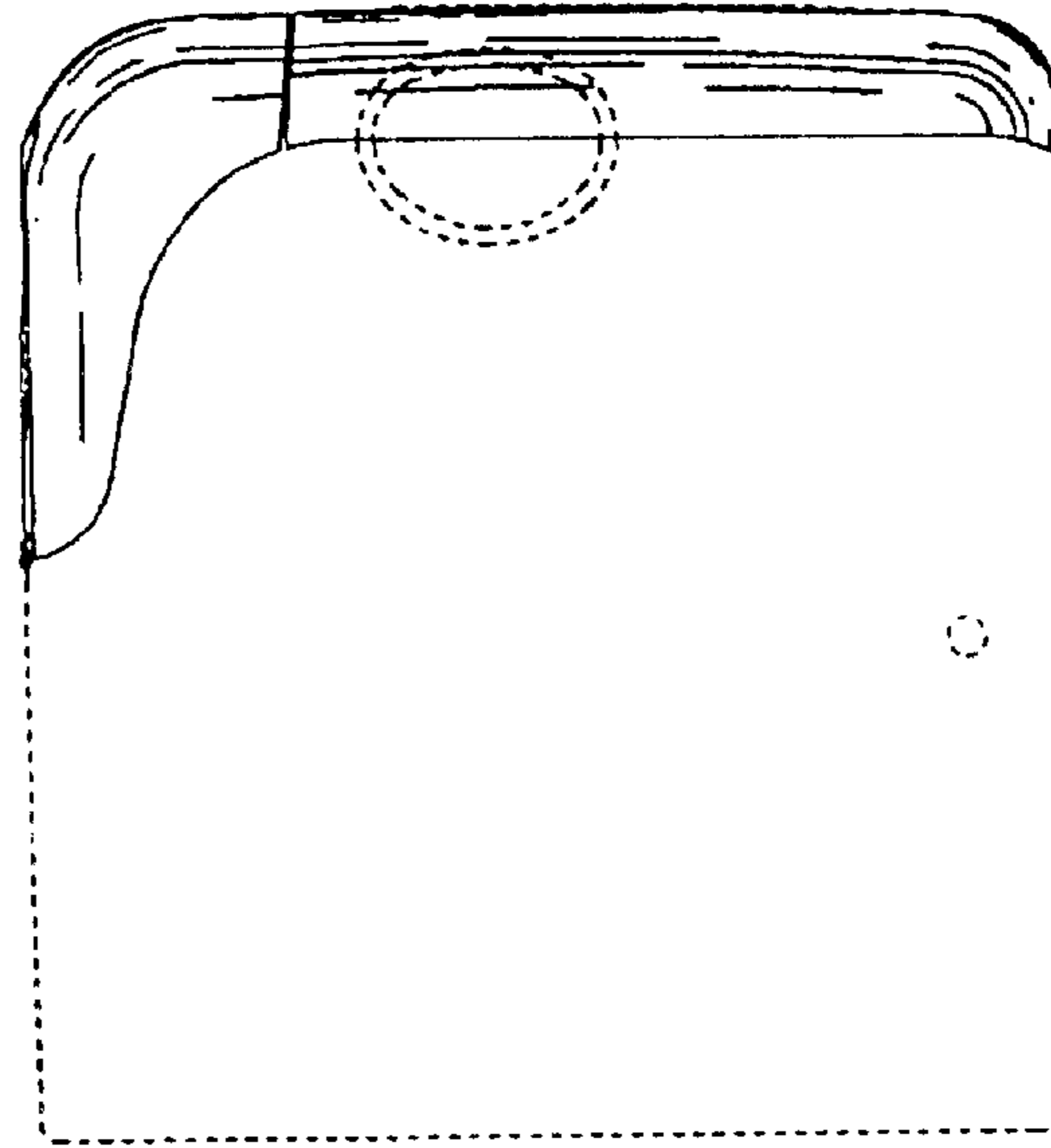


Fig.6

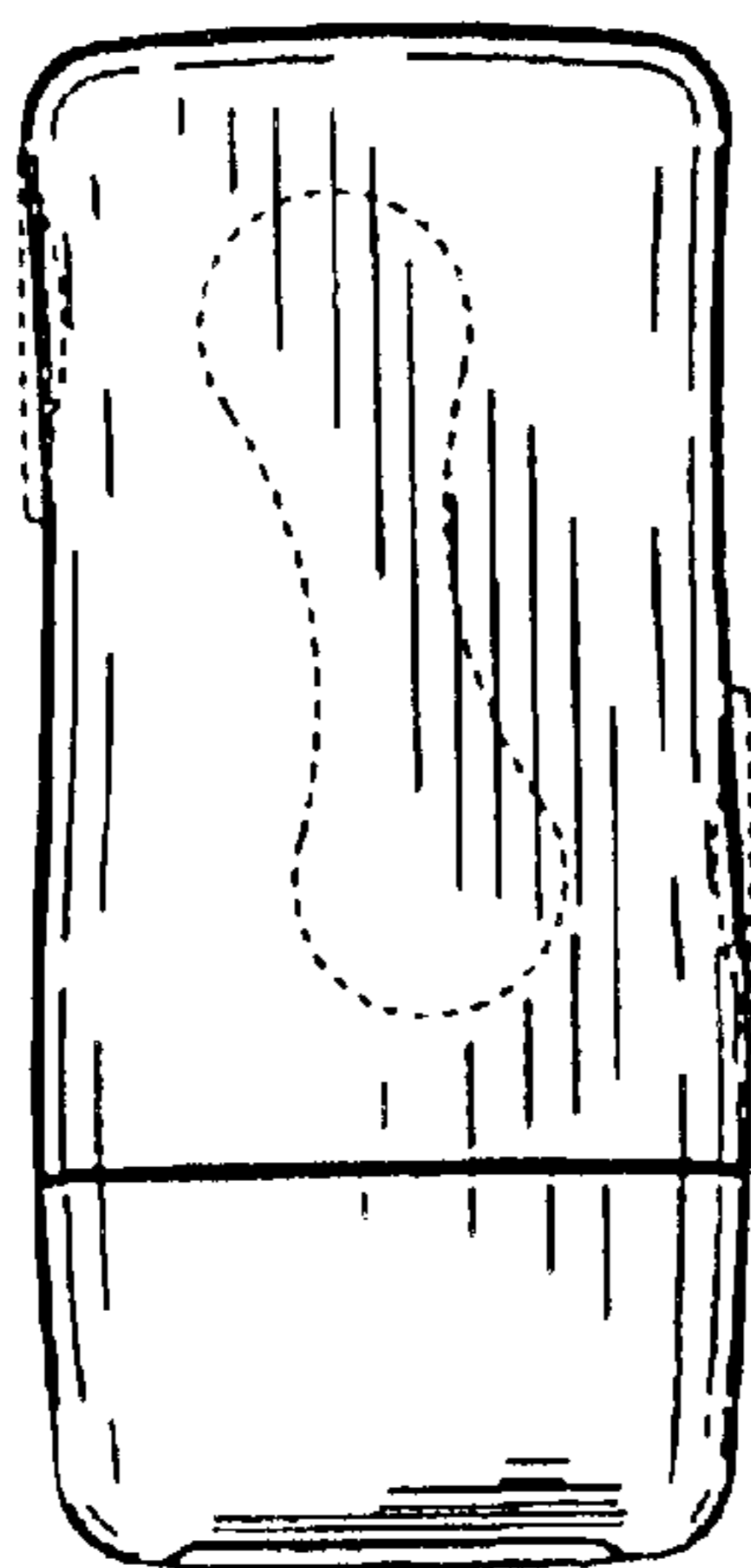


Fig.7

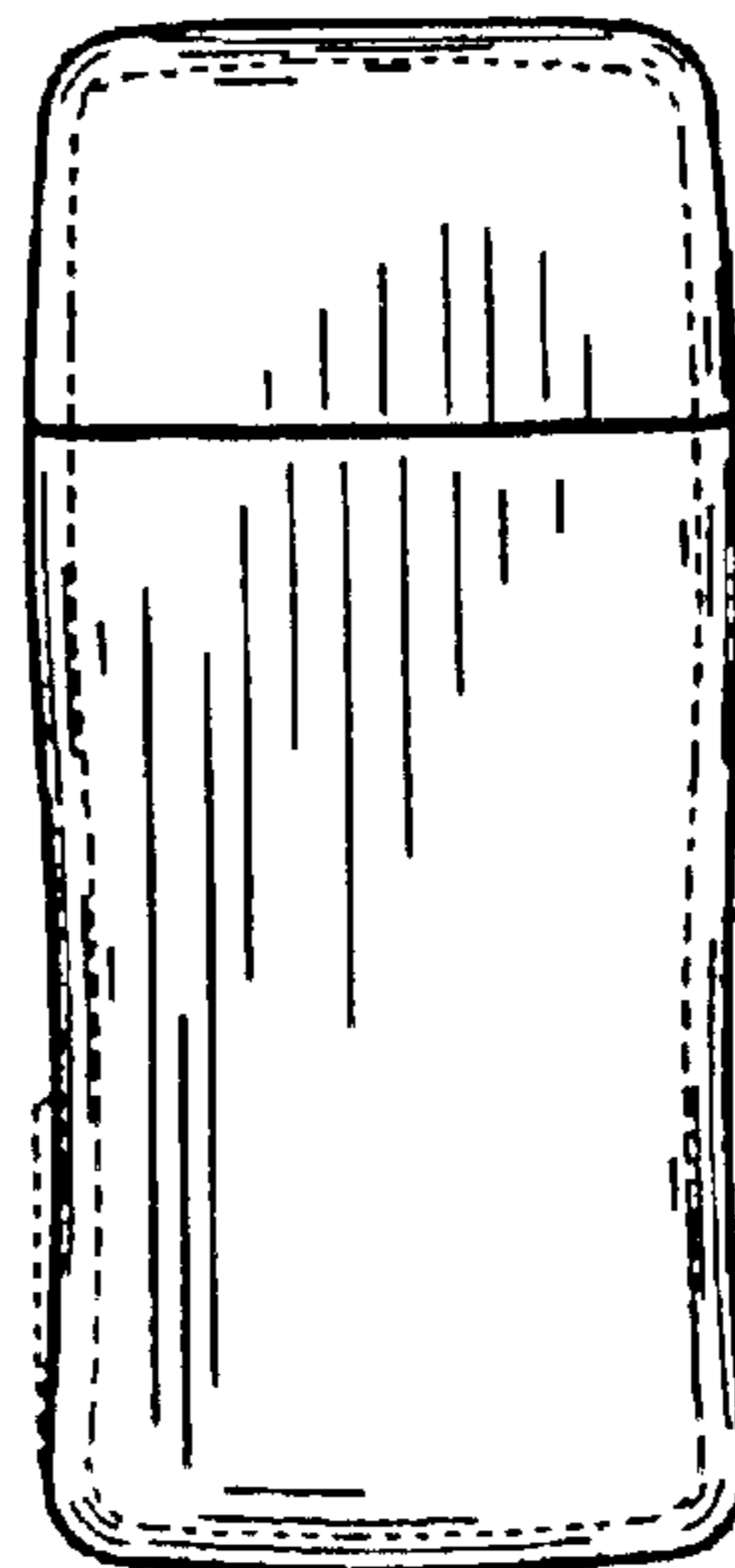


Fig.8