



US00D501237S

(12) **United States Design Patent**
Madore

(10) **Patent No.:** **US D501,237 S**

(45) **Date of Patent:** **** Jan. 25, 2005**

(54) **PORTION OF A GOLF CLUB HEAD**

(75) **Inventor:** **Carl L. Madore, Portland, OR (US)**

(73) **Assignee:** **Nike, Inc., Beaverton, OR (US)**

(**) **Term:** **14 Years**

(21) **Appl. No.:** **29/206,959**

(22) **Filed:** **Jun. 8, 2004**

(51) **LOC (7) Cl.** **21-02**

(52) **U.S. Cl.** **D21/759**

(58) **Field of Search** D21/747-751,
D21/759; 473/324-331, 350

(56) **References Cited**

U.S. PATENT DOCUMENTS

572,436 A	12/1898	Mills	
4,938,470 A	7/1990	Antonious	
D318,703 S	7/1991	Shearer	
D319,091 S	8/1991	Antonious	
D319,858 S	9/1991	Antonious	
D327,521 S	6/1992	Antonious	
D327,522 S	6/1992	Antonious	
D328,483 S	8/1992	Antonious	
D329,265 S	9/1992	Antonious	
D329,482 S	9/1992	Antonious	
D329,676 S	9/1992	Antonious	
D329,677 S	9/1992	Antonious	
D330,926 S	11/1992	Antonious	
D332,478 S	1/1993	Antonious	
D336,758 S	* 6/1993	Jossey	D21/751
D355,234 S	2/1995	MacNally et al.	
5,595,552 A	1/1997	Wright et al.	
D379,393 S	5/1997	Kubica et al.	
D383,820 S	9/1997	Watanabe	
D386,550 S	11/1997	Wright et al.	
D387,113 S	* 12/1997	Burrows	D21/748
D387,405 S	12/1997	Solheim et al.	
5,695,411 A	12/1997	Wright et al.	
D392,356 S	3/1998	Burrows	
D401,652 S	11/1998	Burrows	
D406,294 S	* 3/1999	Burrows	D21/748
D411,272 S	* 6/1999	Burrows	D21/748
D428,634 S	7/2000	Nagai et al.	
D428,635 S	7/2000	Nagai et al.	

D435,278 S	12/2000	Reed et al.
6,379,262 B1	4/2002	Boone
6,416,422 B1	7/2002	Nagai et al.
6,454,665 B2	9/2002	Antonious
D464,387 S	10/2002	Rollinson et al.
D464,693 S	10/2002	Rollinson et al.
D474,822 S	5/2003	Cleveland et al.
6,746,343 B2	6/2004	Yoneyama
2001/0001774 A1	5/2001	Antonious
2003/0144080 A1	7/2003	Yoneyama

OTHER PUBLICATIONS

Golfsmith Clubmaking Catalog 1999, pp. 9 and 31, dated 1999.
Edwin Watts Golf Catalog Holiday 2000, p. 22, dated Holiday 2000.
Edwin Watts Golf Catalog Spring 2002, pp. 32 and 68, dated Spring 2002.
Edwin Watts Golf Catalog Spring 2004, p. 5, dated Spring 2004.

* cited by examiner

Primary Examiner—Mitchell Siegel

(74) *Attorney, Agent, or Firm*—Banner & Witcoff, Ltd.

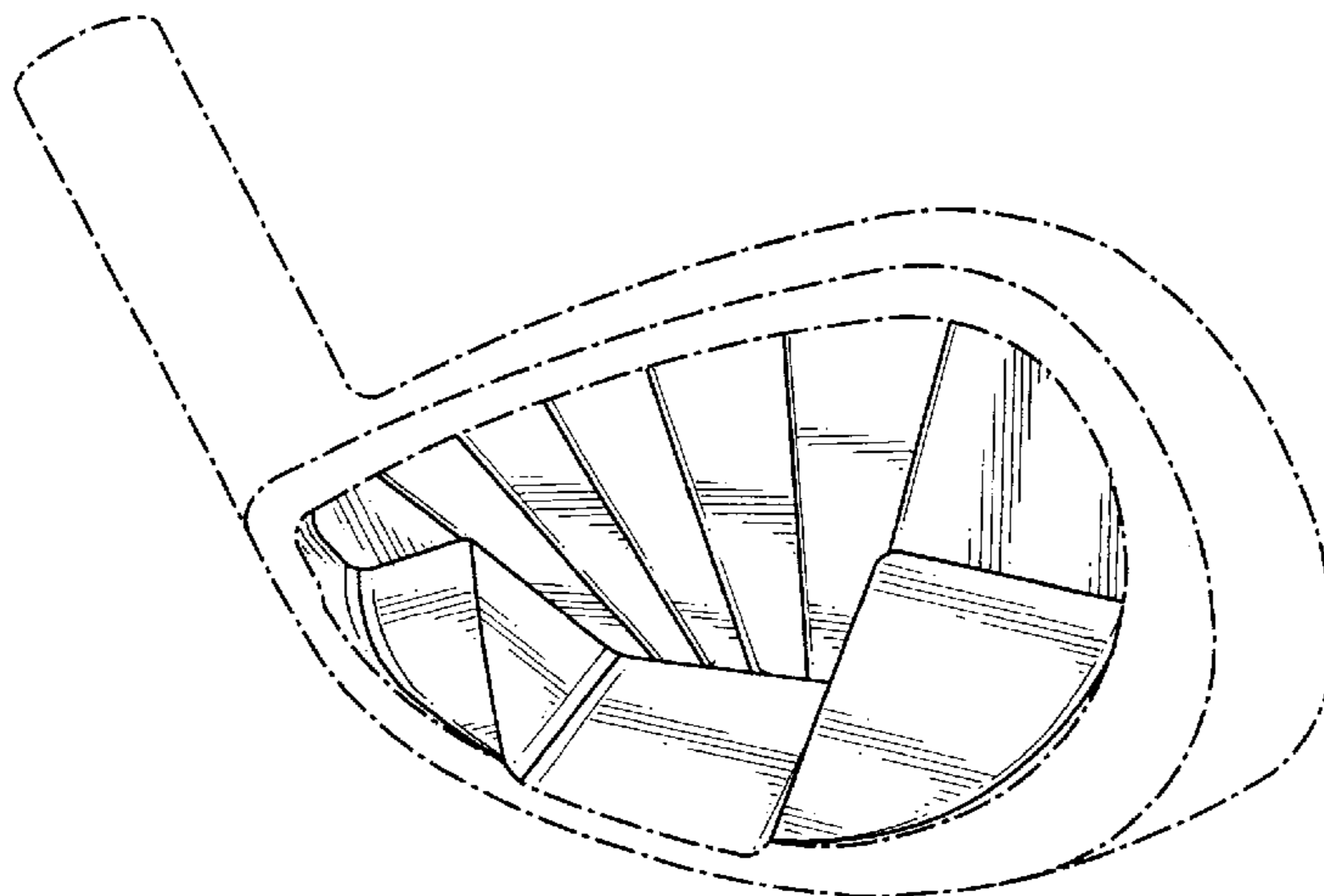
(57) **CLAIM**

The ornamental design for a portion of a golf club head, as shown and described.

DESCRIPTION

FIG. 1 is a toe side perspective view of a portion of a golf club head showing my new design;
FIG. 2 is a heel side perspective view thereof;
FIG. 3 is an elevational view thereof;
FIG. 4 is a toe side perspective view of a portion of a golf club head showing a second embodiment of my new design;
FIG. 5 is a heel side perspective view thereof; and,
FIG. 6 is an elevational view thereof.
The broken line immediately adjacent to the shaded area represents an unclaimed boundary of the design. The broken line showing of the remainder of the golf club head is for illustrative purposes only and forms no part of the claimed design.

1 Claim, 6 Drawing Sheets



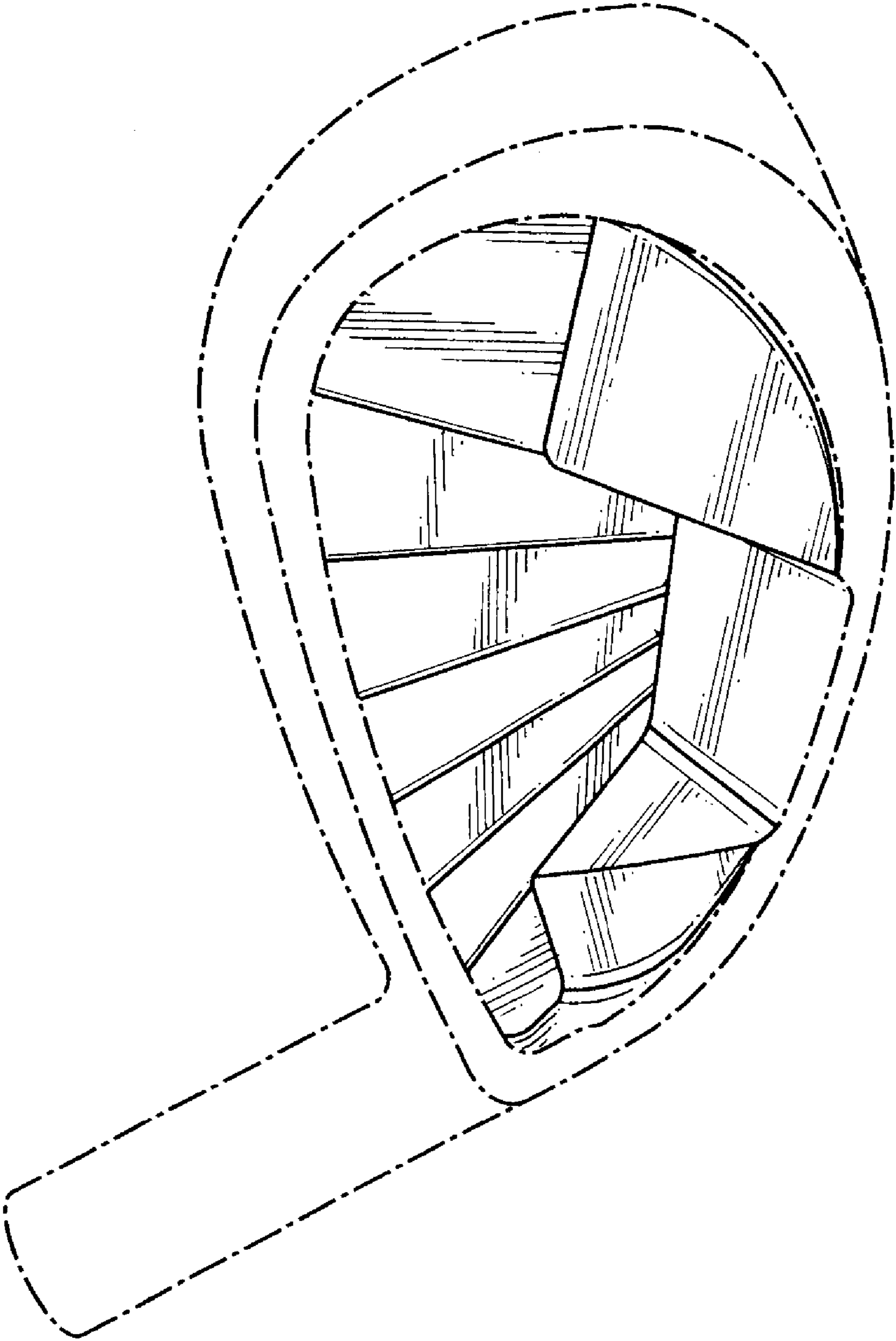


FIG.1

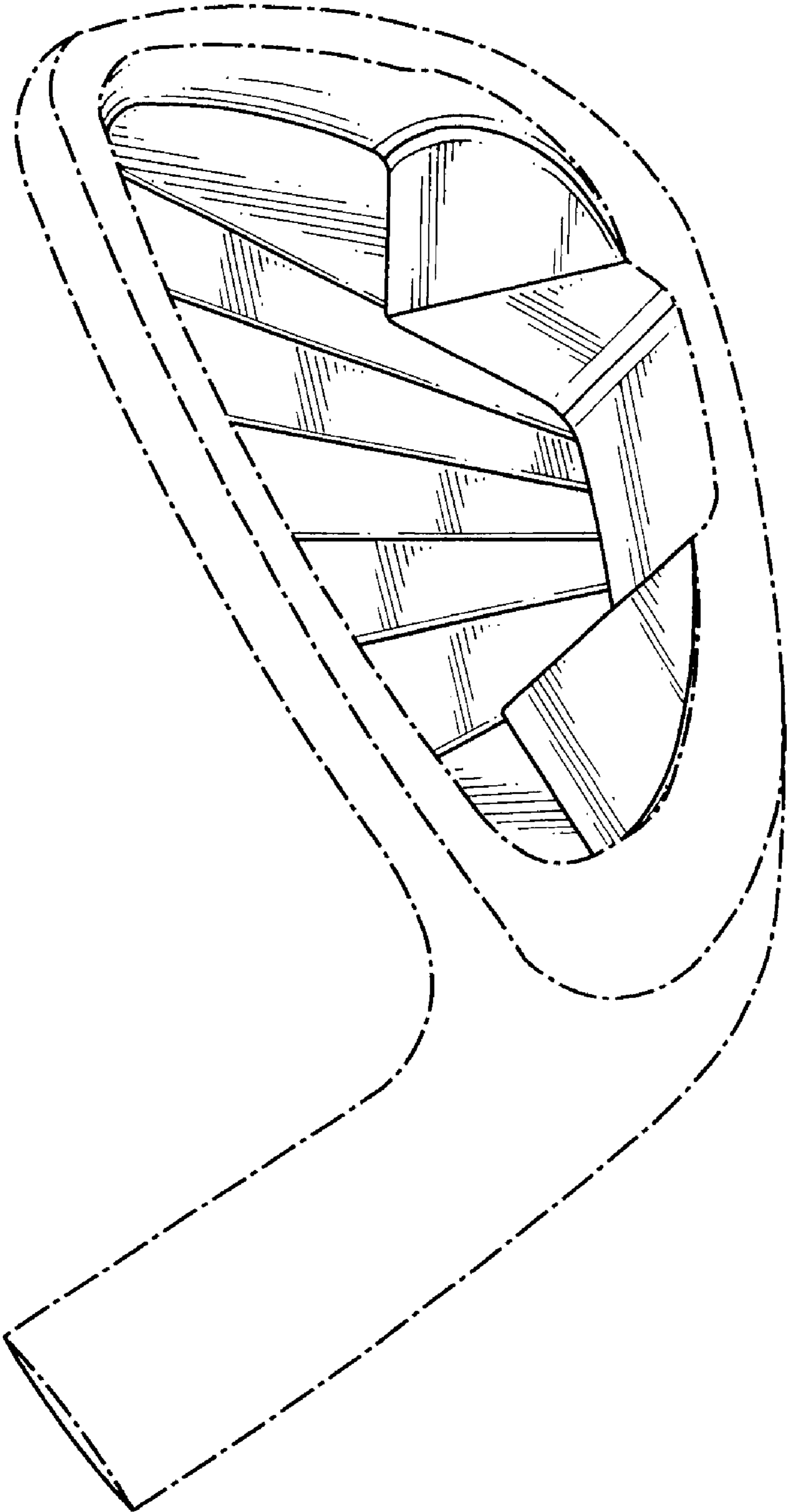


FIG.2

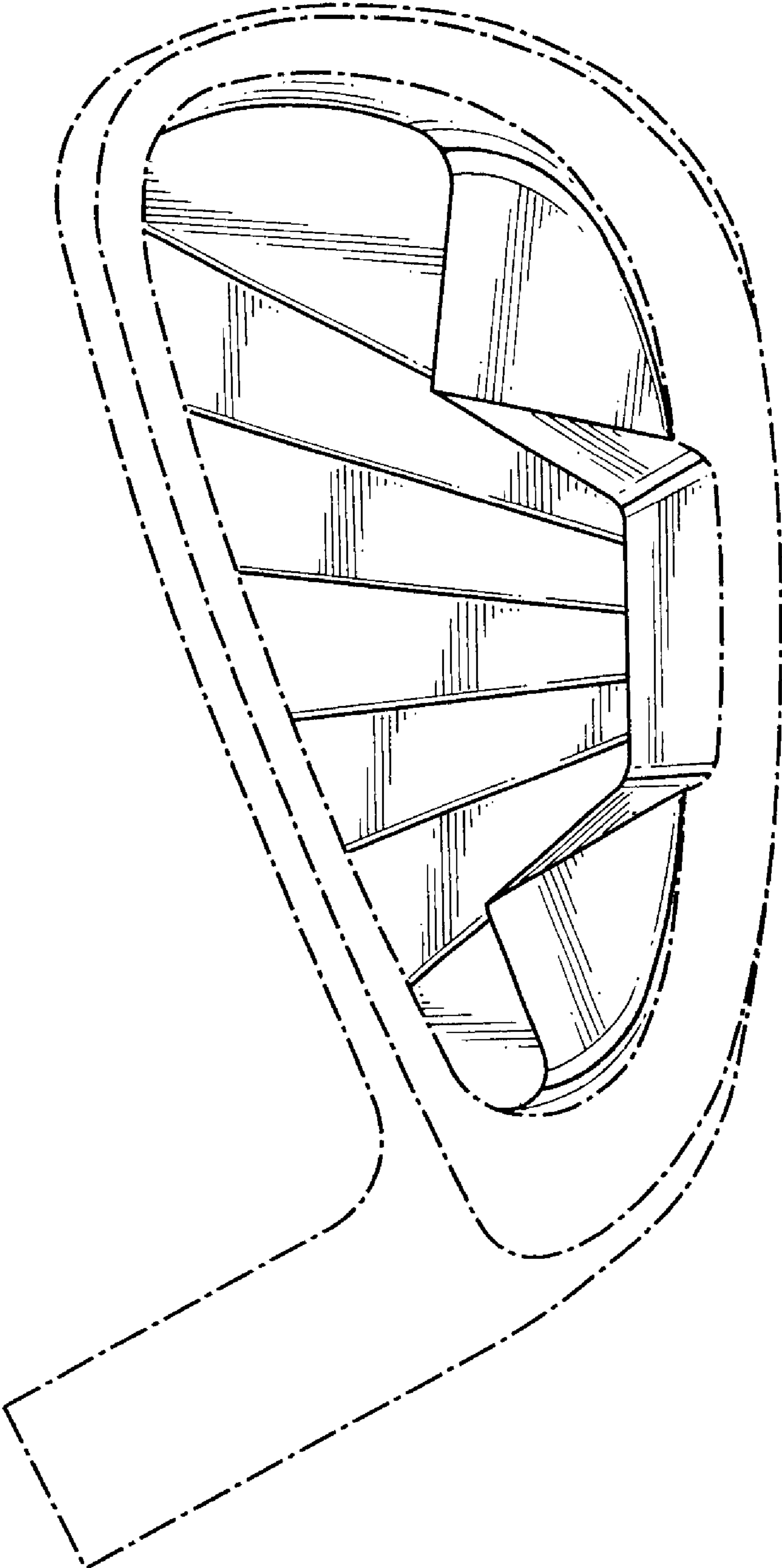


FIG.3

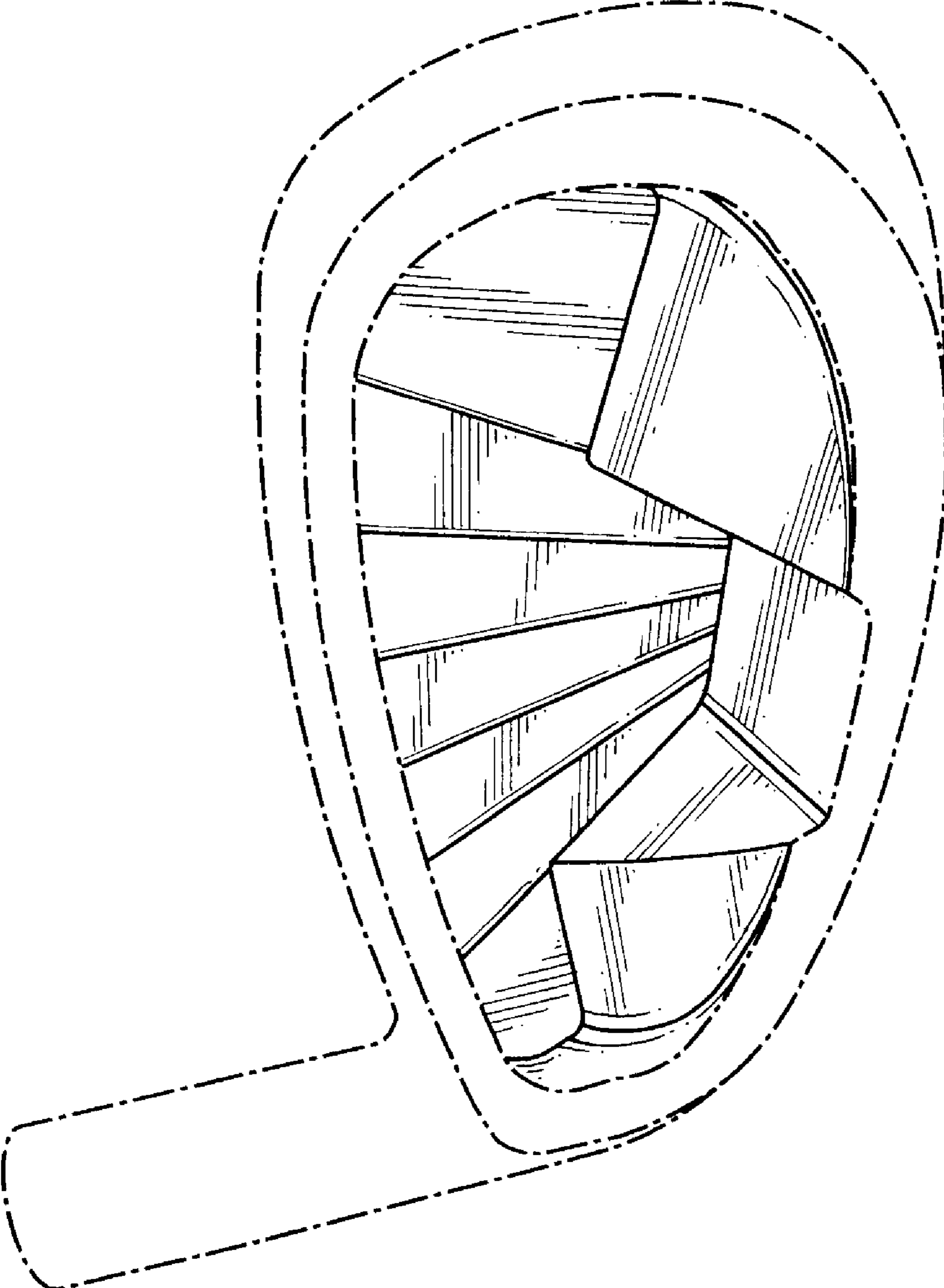


FIG.4

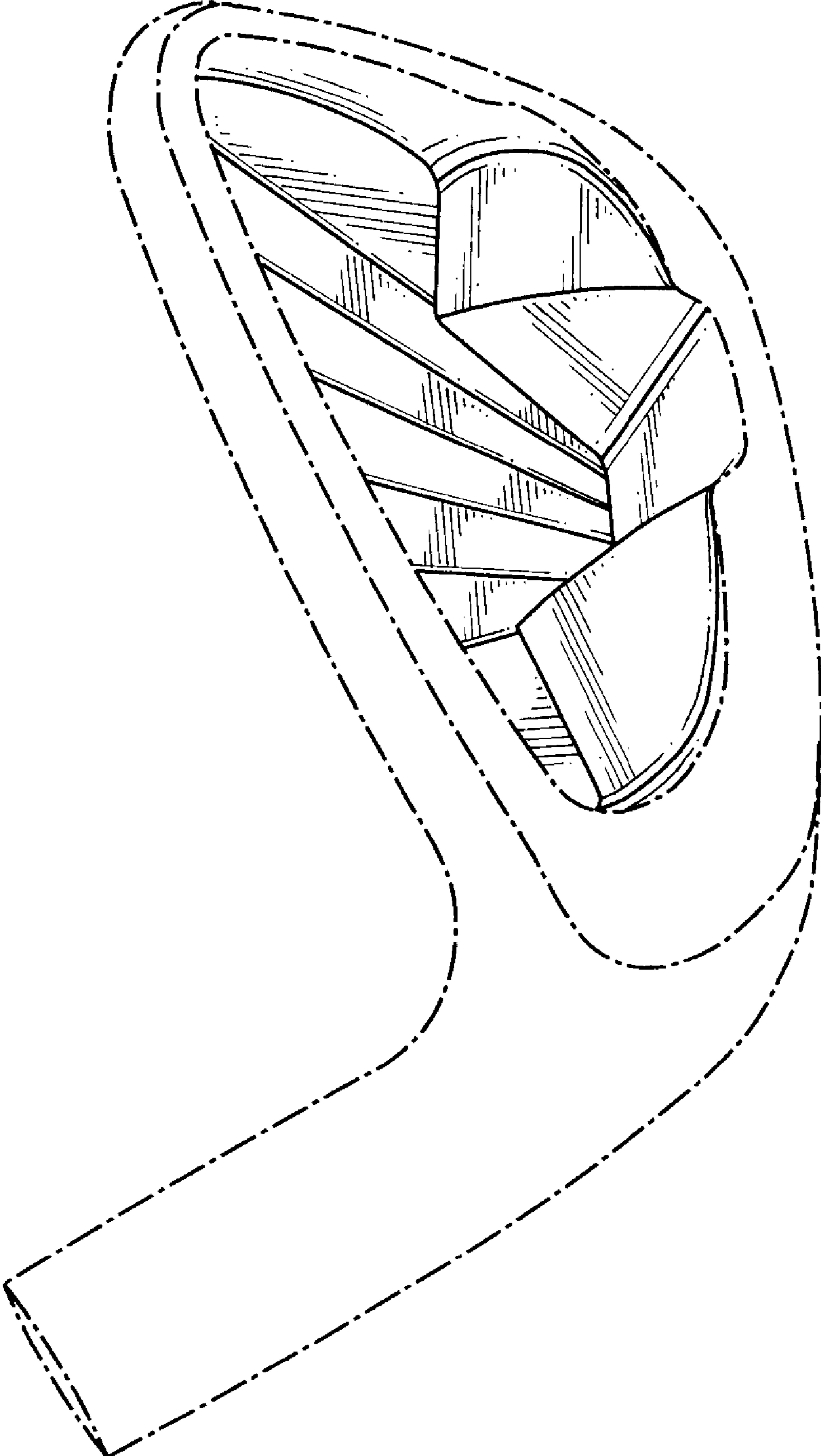


FIG.5

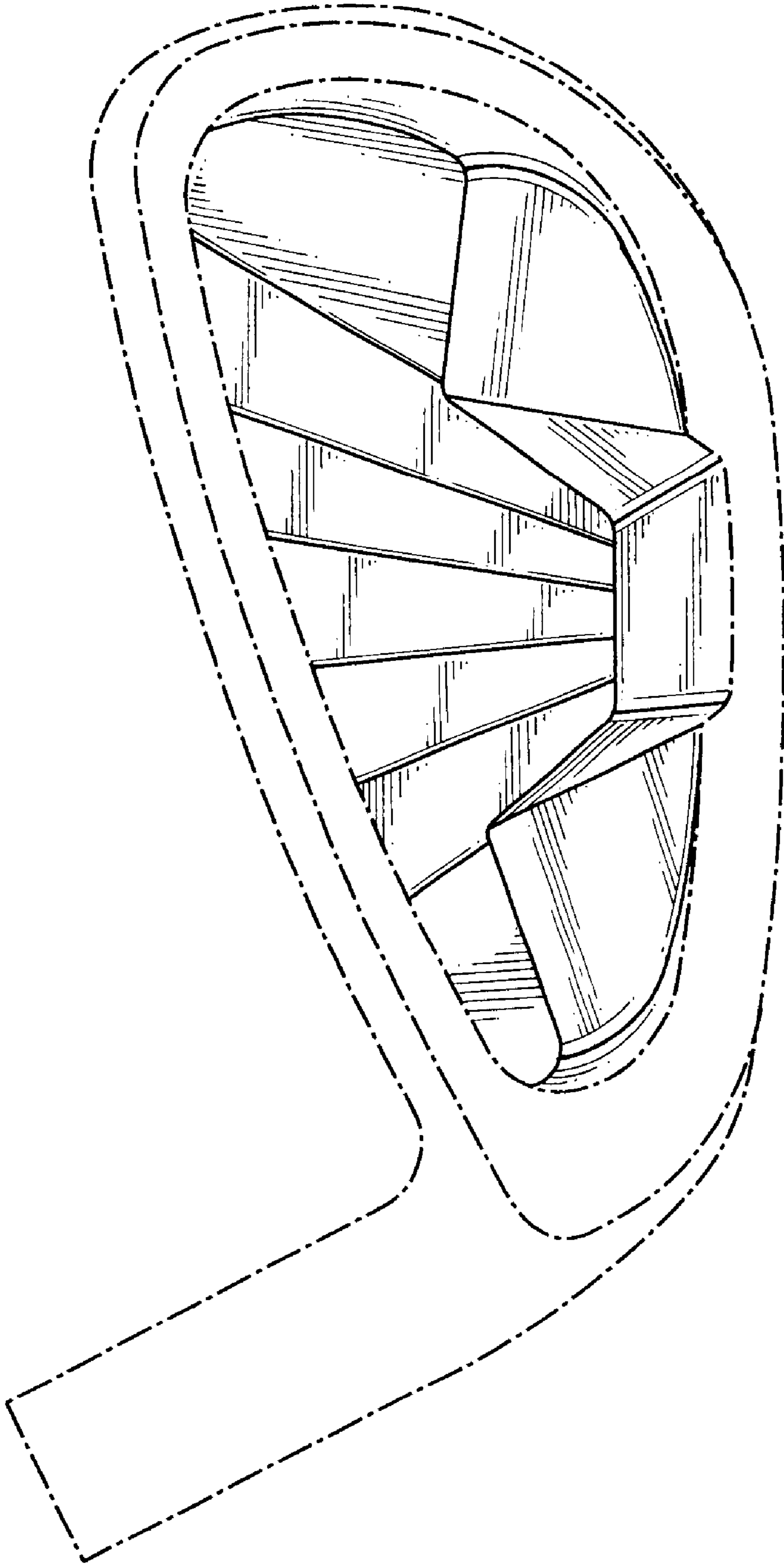


FIG.6