

US00D501234S

(12) **United States Design Patent**
Cheng

(10) **Patent No.:** **US D501,234 S**

(45) **Date of Patent:** **** Jan. 25, 2005**

(54) **CLUB HEAD OF A GOLF CLUB**

D403,387 S * 12/1998 Bloomer D21/736

(76) **Inventor:** **Fu Chien Cheng**, 235 Chung-Ho Box
8-24, Taipei (TW)

* cited by examiner

Primary Examiner—Mitchell Siegel

(**) **Term:** **14 Years**

(57) **CLAIM**

(21) **Appl. No.:** **29/195,840**

The ornamental design for a club head of a golf club, as shown and described.

(22) **Filed:** **Dec. 19, 2003**

DESCRIPTION

(51) **LOC (7) Cl.** **21-02**

FIG. 1 is a front elevational view thereof.

(52) **U.S. Cl.** **D21/743**

FIG. 2 is a rear elevational view thereof.

(58) **Field of Search** D21/736-746;

FIG. 3 is a left side view thereof.

473/324-331, 340, 341, 251-256

FIG. 4 is a right side view thereof.

FIG. 5 is a top plan view thereof.

FIG. 6 is a bottom plan view thereof.

(56) **References Cited**

FIG. 7 is a perspective view of a club head of a golf club showing my new design; and,

U.S. PATENT DOCUMENTS

FIG. 8 is a reduced perspective view of FIG. 7; the broken line showing of the shaft and handle is for illustrative purposes only and forms no part of the claimed design.

D231,625 S * 5/1974 Werner D21/745

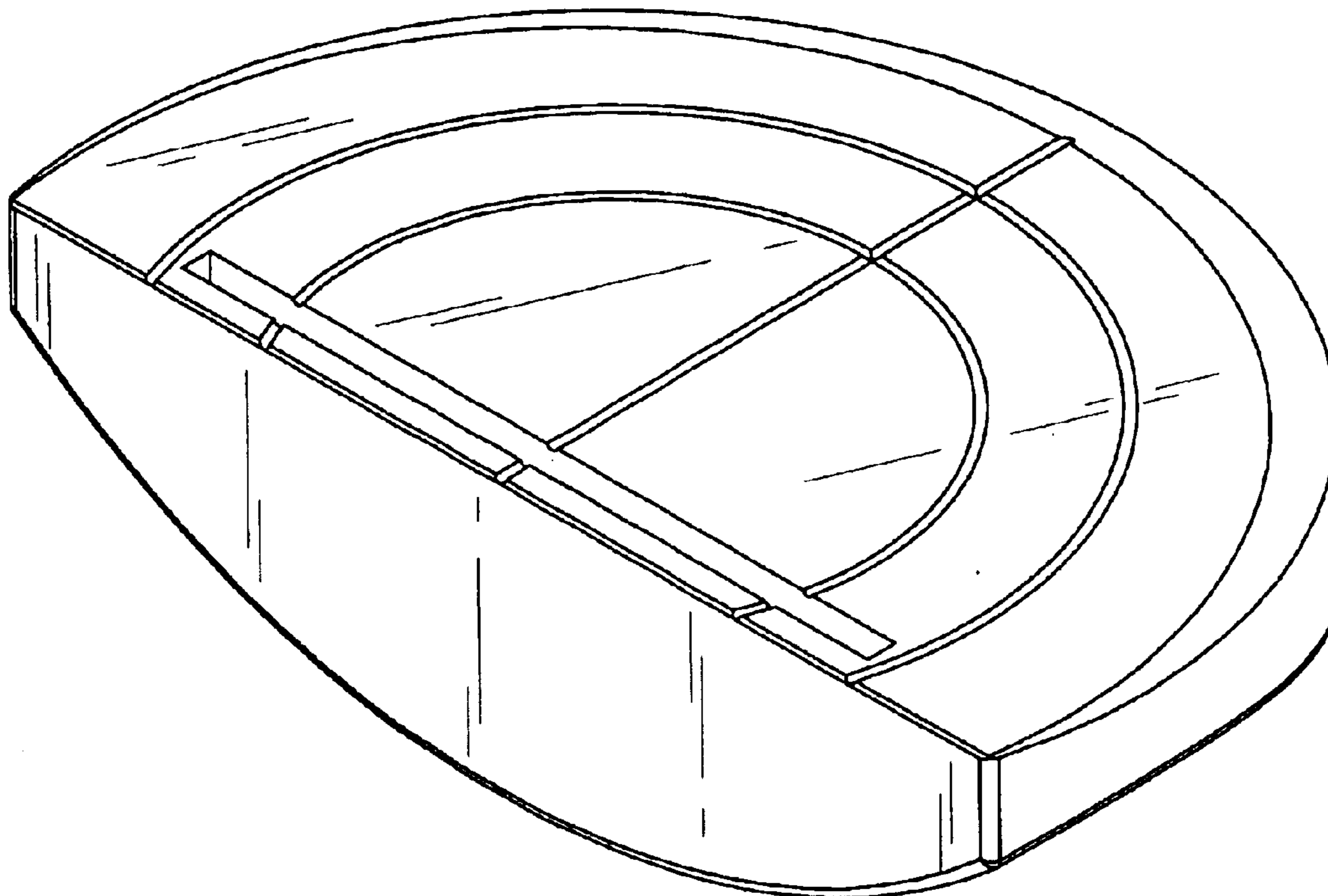
D356,356 S * 3/1995 Jacobs D21/744

D368,752 S * 4/1996 Patten D21/745

D381,727 S * 7/1997 Griffin D21/741

D389,206 S * 1/1998 Takahashi D21/745

1 Claim, 5 Drawing Sheets



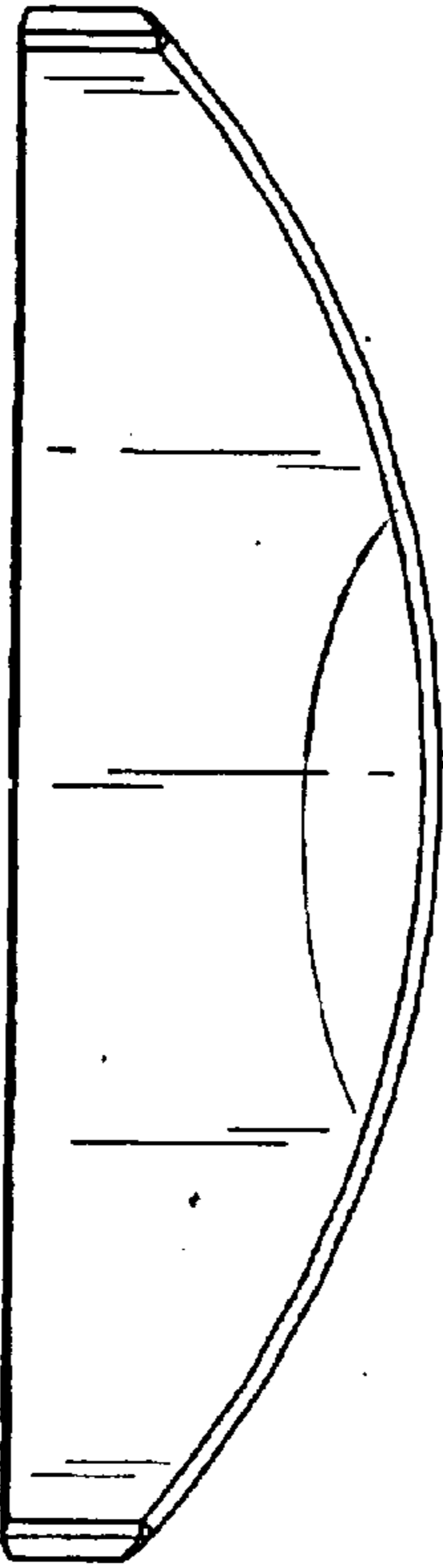


Fig. 1

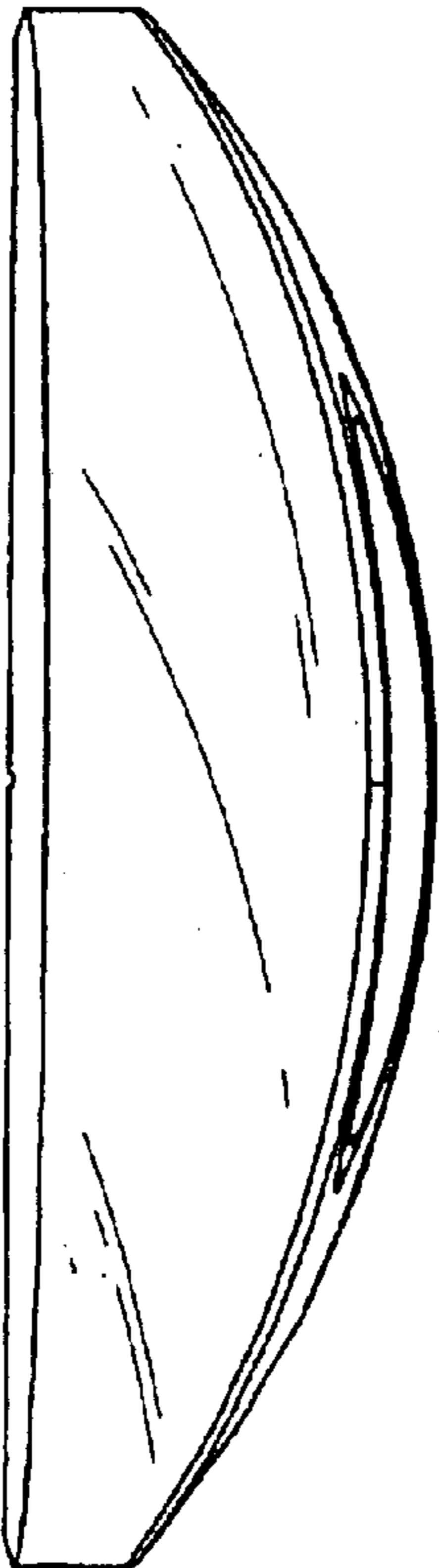


Fig. 2

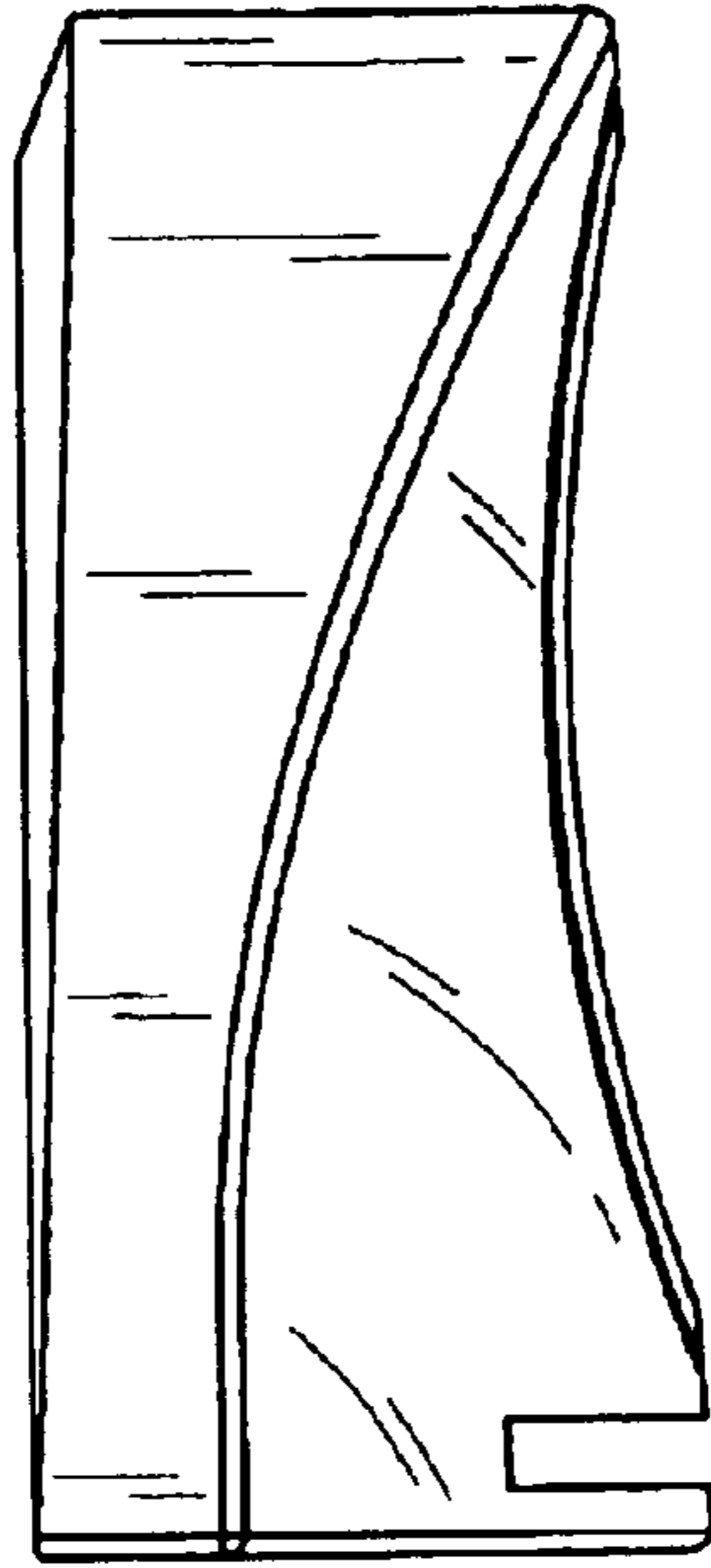


Fig. 4

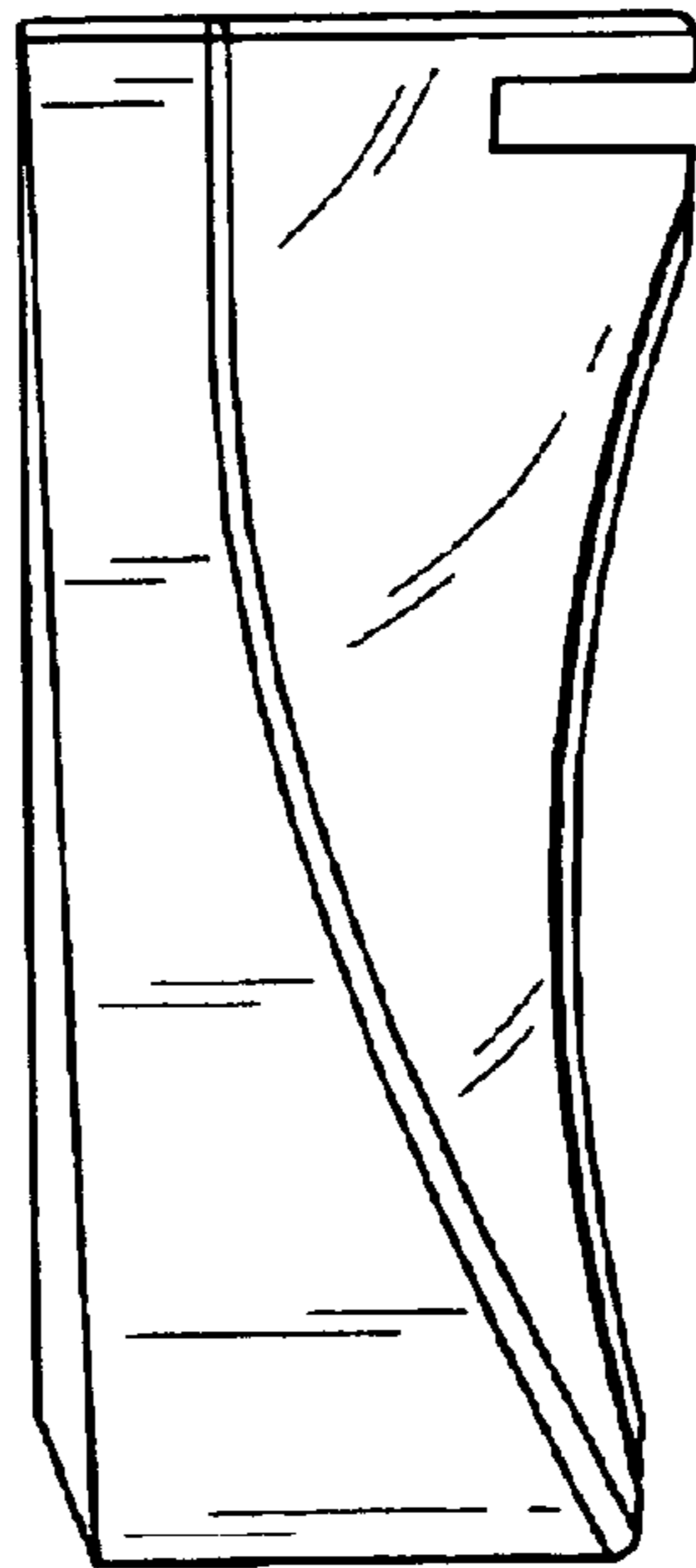


Fig. 3

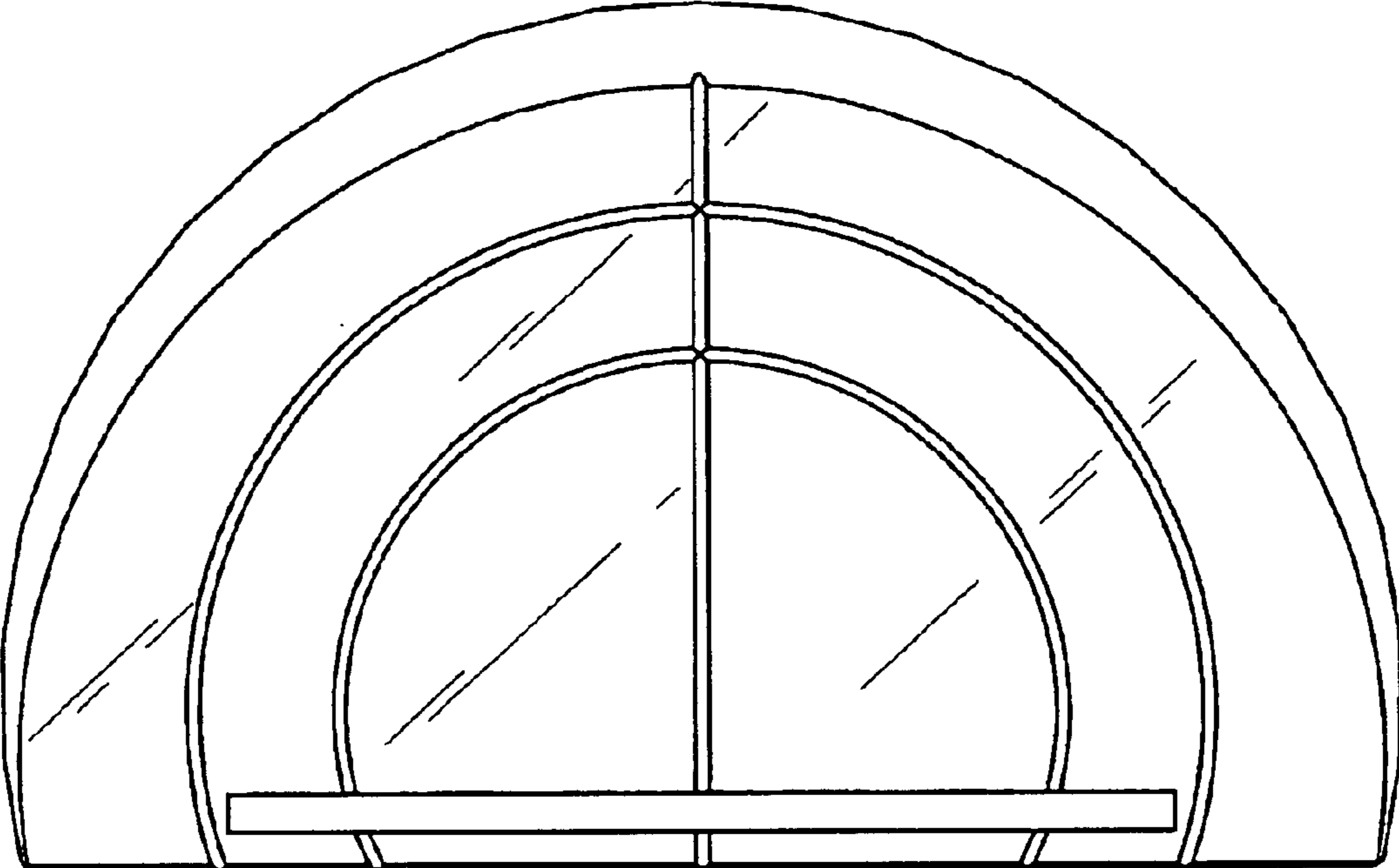


Fig. 5

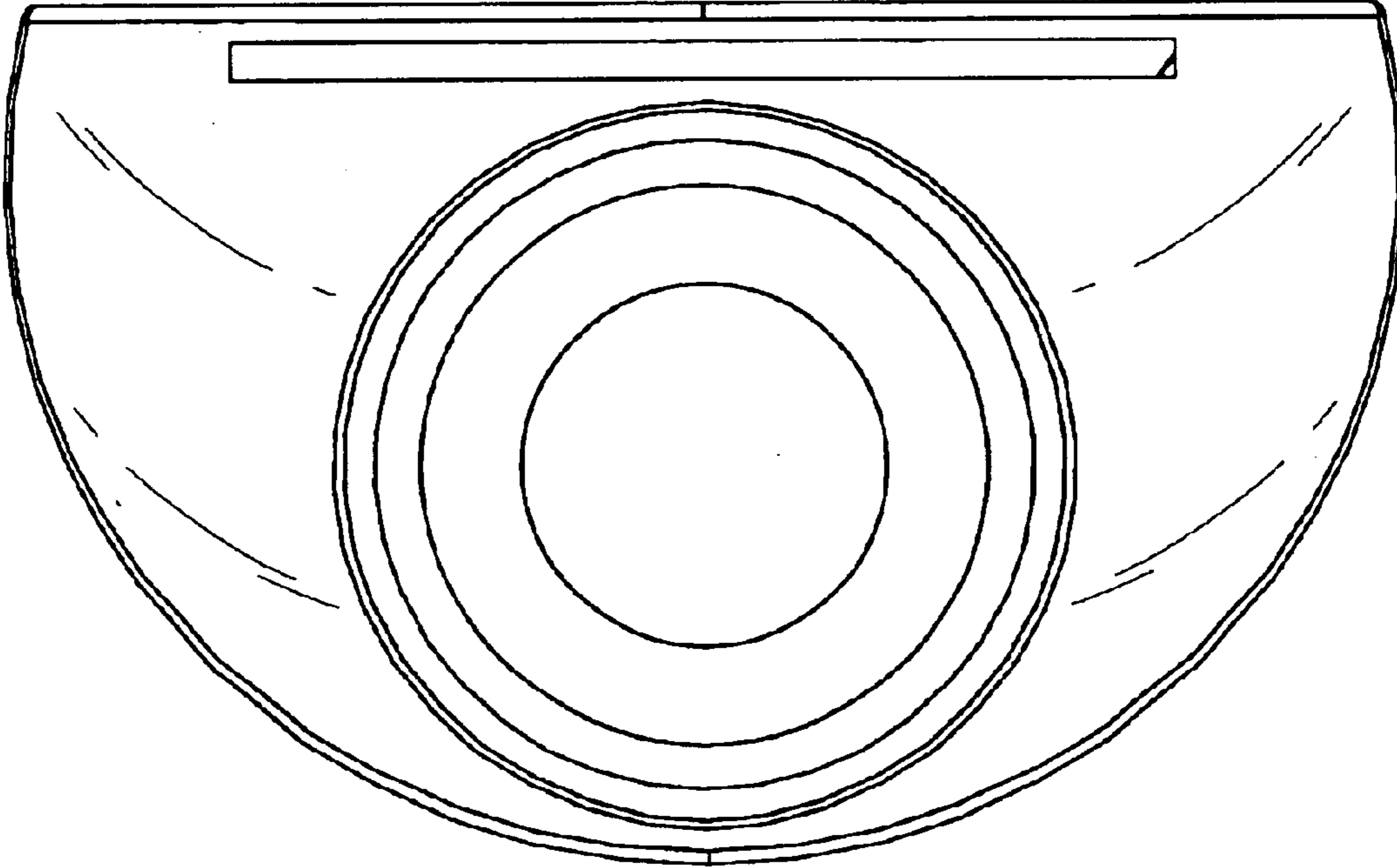


Fig. 6

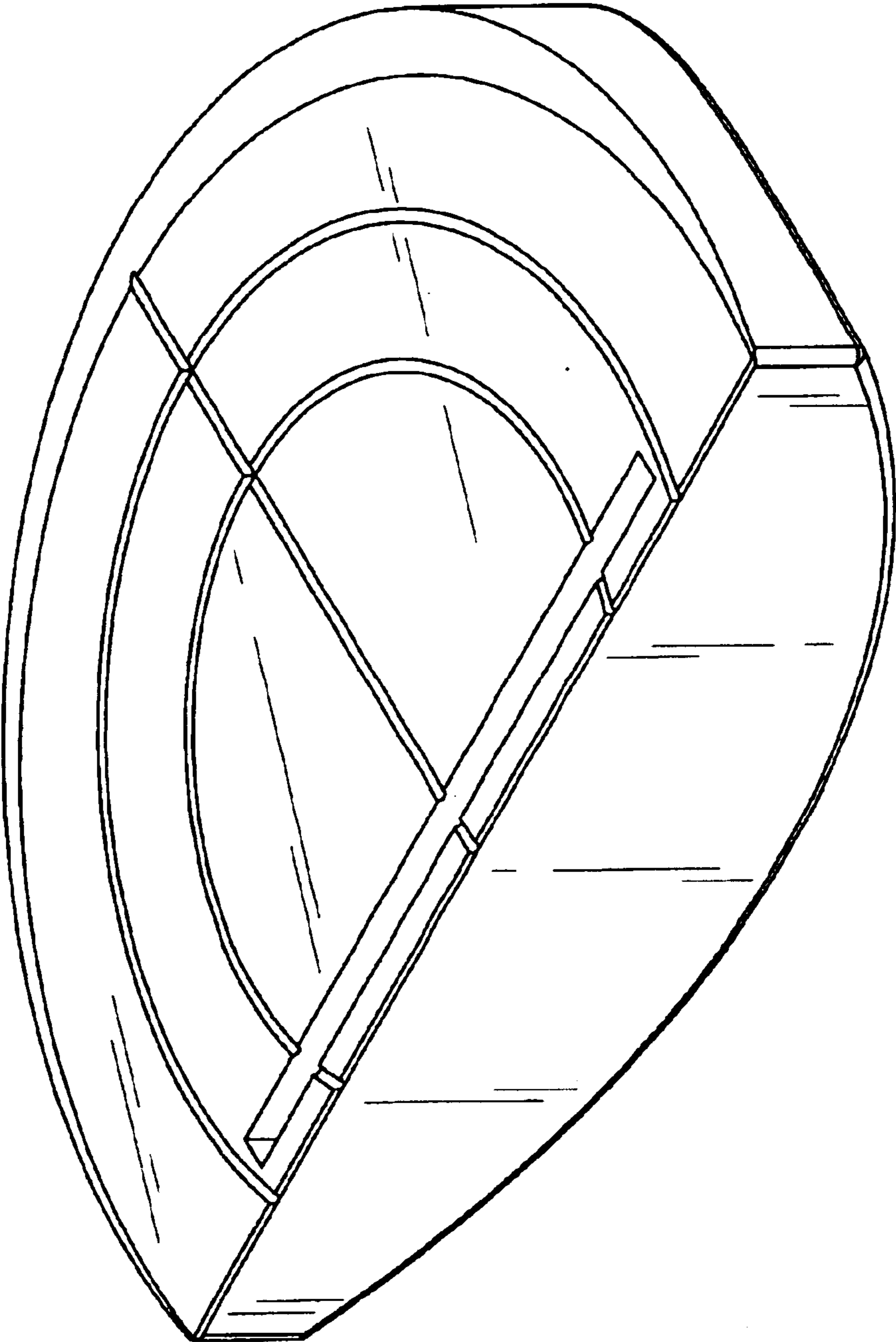


Fig. 7

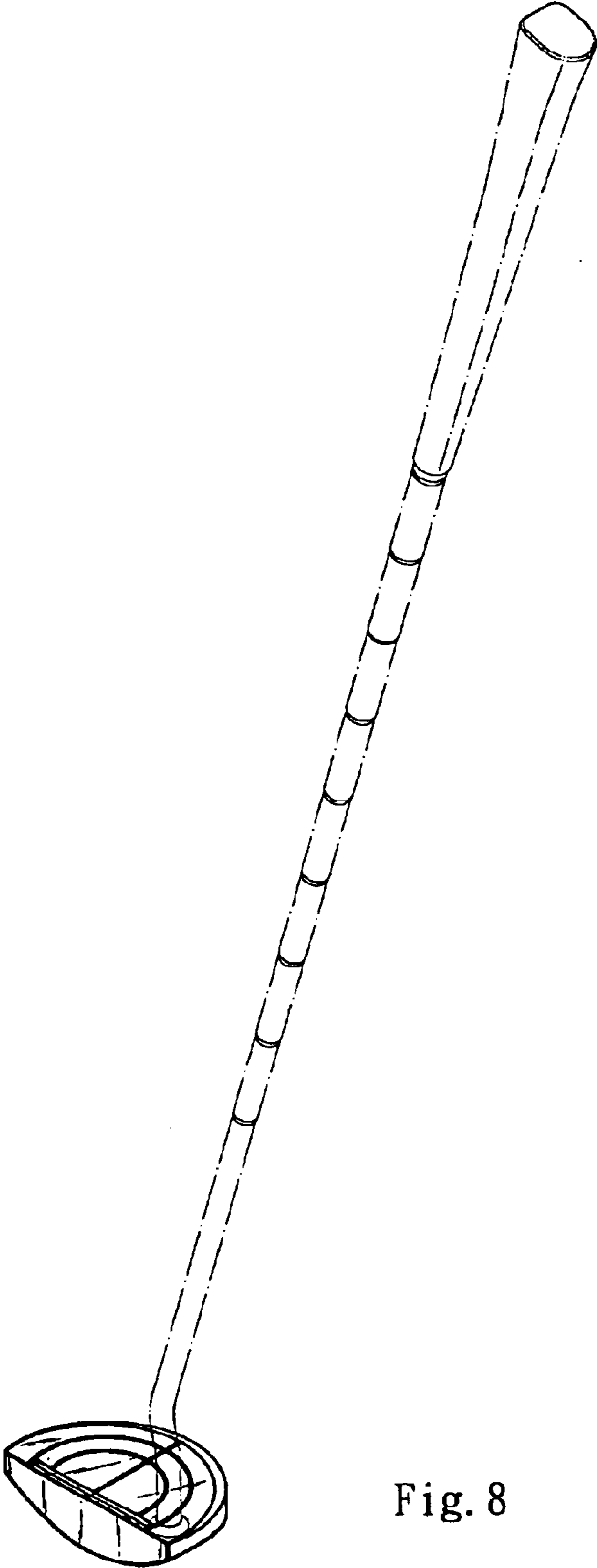


Fig. 8