



US00D501233S

(12) **United States Design Patent**  
**Thomas**

(10) **Patent No.:** **US D501,233 S**  
(45) **Date of Patent:** **\*\* Jan. 25, 2005**

(54) **HEAD FOR A GOLF PUTTER**

(76) Inventor: **Frank Thomas**, 31 Fairmount Ave. P.O. Box 707, Chester, NJ (US) 07930

(\*\*) Term: **14 Years**

(21) Appl. No.: **29/196,118**

(22) Filed: **Dec. 22, 2003**

(51) **LOC (7) Cl.** ..... **21-02**

(52) **U.S. Cl.** ..... **D21/736**

(58) **Field of Search** ..... D21/736-746;  
473/324-331, 340-341, 251-256

(56) **References Cited**

**U.S. PATENT DOCUMENTS**

D389,539 S	*	1/1998	Moore	.....	D21/739
D399,274 S	*	10/1998	Bradford	.....	D21/736
D421,471 S	*	3/2000	Moldovan	.....	D21/744
D436,638 S	*	1/2001	Carrier	.....	D21/744
D437,017 S	*	1/2001	Ford	.....	D21/744
D456,055 S	*	4/2002	Yerelian	.....	D21/736
D456,472 S	*	4/2002	Yerelian	.....	D21/736
D488,526 S	*	4/2004	Souza et al.	.....	D21/738

\* cited by examiner

*Primary Examiner*—Mitchell Siegel

(74) *Attorney, Agent, or Firm*—Francis C. Hand; Carella, Byrne, Bain et al

(57) **CLAIM**

The ornamental design for a head for a golf putter, as shown.

**DESCRIPTION**

FIG. 1 illustrates a front perspective view of a head for a golf putter employing the ornamental design in accordance with the invention;

FIG. 2 illustrates a rear perspective view of the golf putter head of FIG. 1;

FIG. 3 illustrates a front view of the golf putter head of FIG. 1;

FIG. 4 illustrates a side view of the golf putter head of FIG. 1 (the left side view and the right side view being mirror images of the other);

FIG. 5 illustrates a rear view of the golf putter head of FIG. 1;

FIG. 6 illustrates a top view of the golf putter head of FIG. 1;

FIG. 7 illustrates a bottom view of the golf putter head of FIG. 1;

FIG. 8 illustrates a front perspective view of a modified head for a golf putter employing the ornamental design in accordance with the invention;

FIG. 9 illustrates a rear perspective view of the golf putter head of FIG. 8;

FIG. 10 illustrates a front view of the golf putter head of FIG. 8;

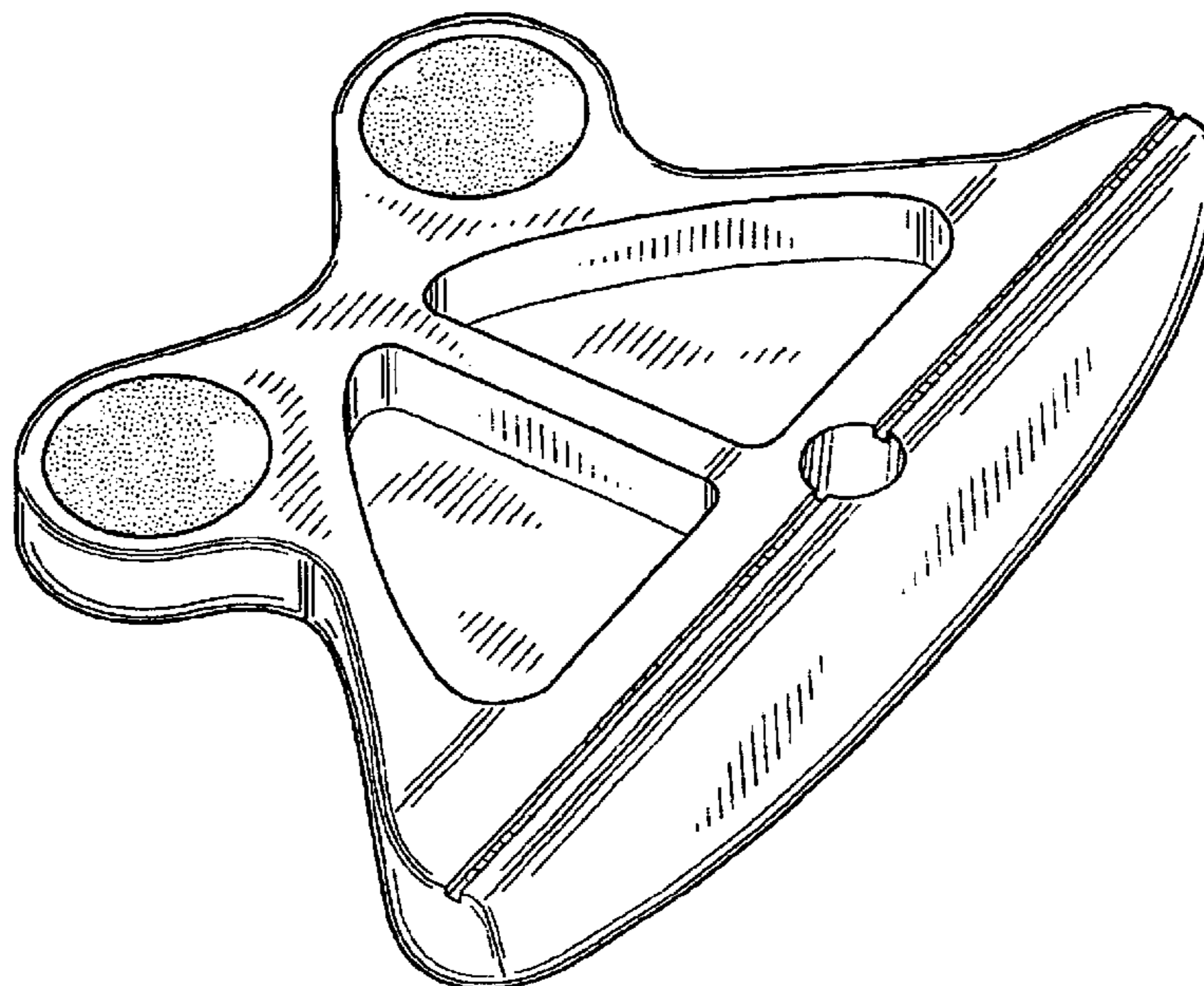
FIG. 11 illustrates a side view of the golf putter head of FIG. 8 (the left side view and the right side view being mirror images of the other);

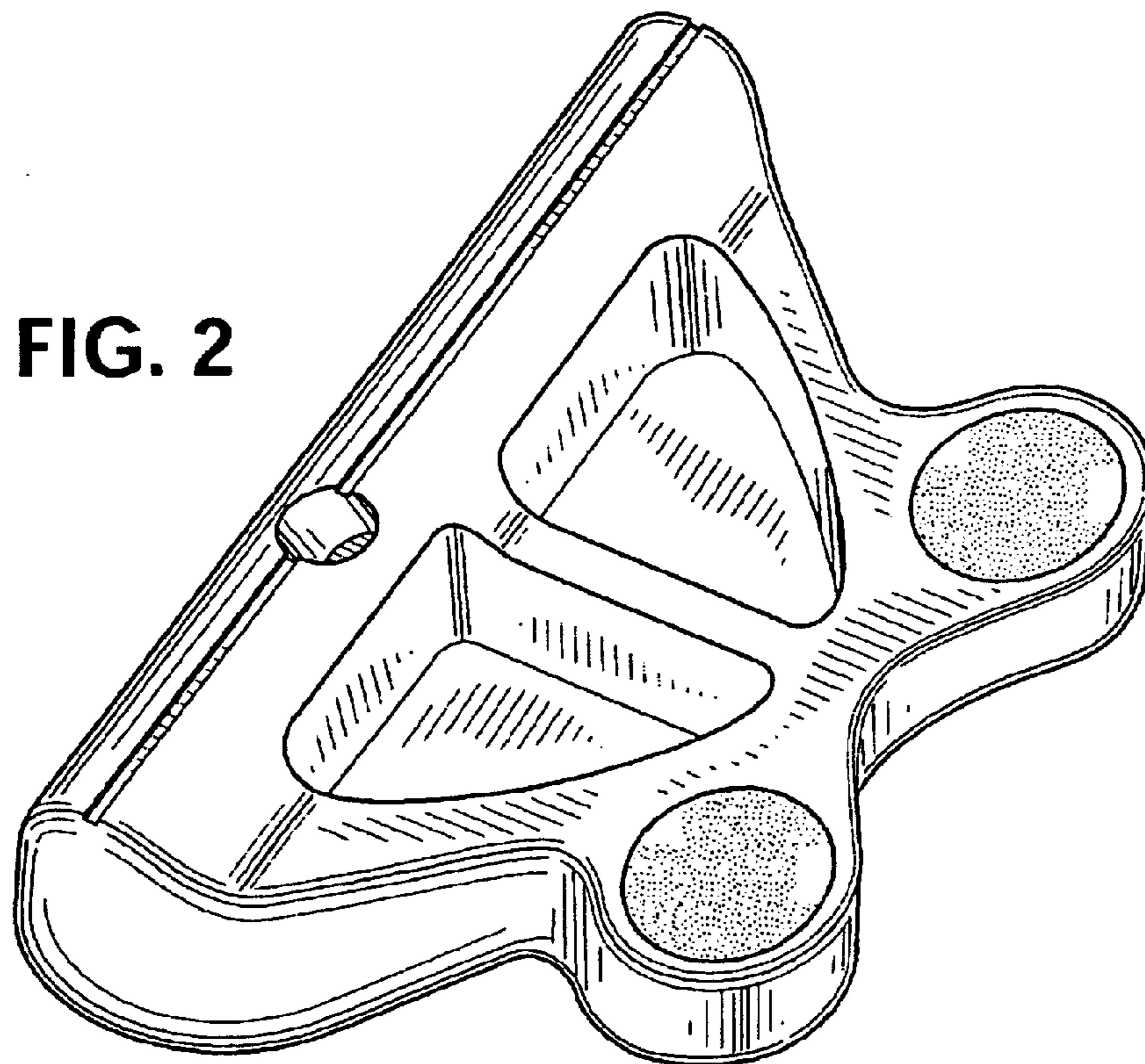
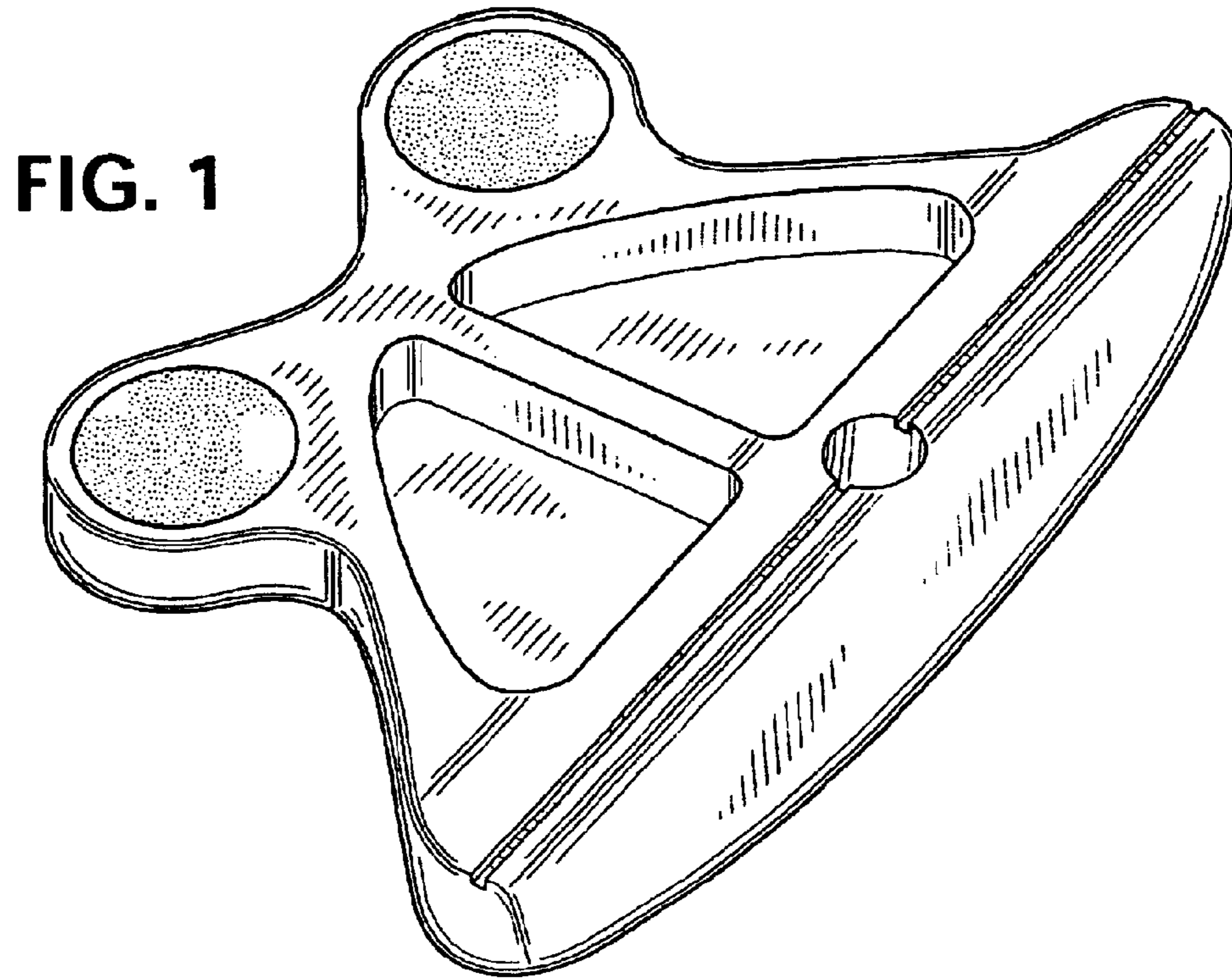
FIG. 12 illustrates a rear view of the golf putter head of FIG. 8;

FIG. 13 illustrates a top view of the golf putter head of FIG. 8; and,

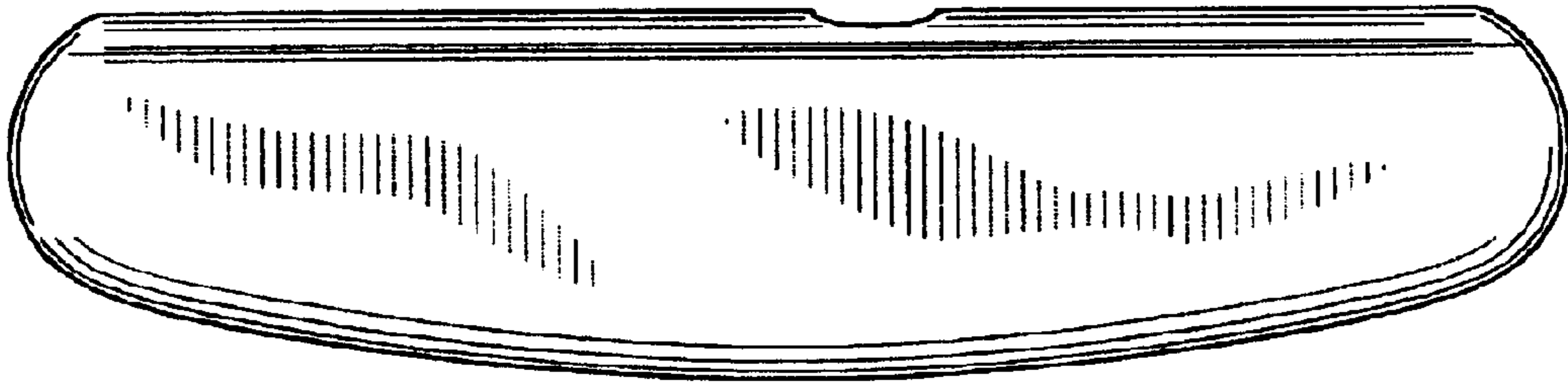
FIG. 14 illustrates a bottom view of the golf putter head of FIG. 8.

**1 Claim, 6 Drawing Sheets**

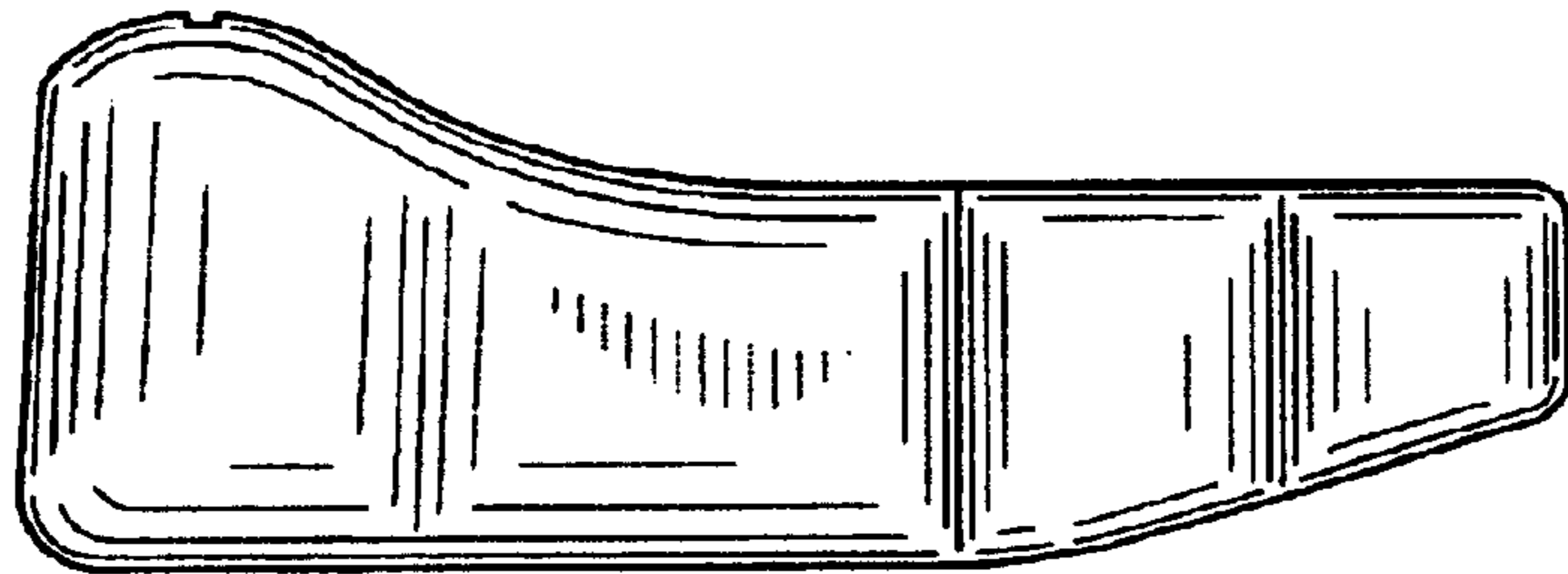




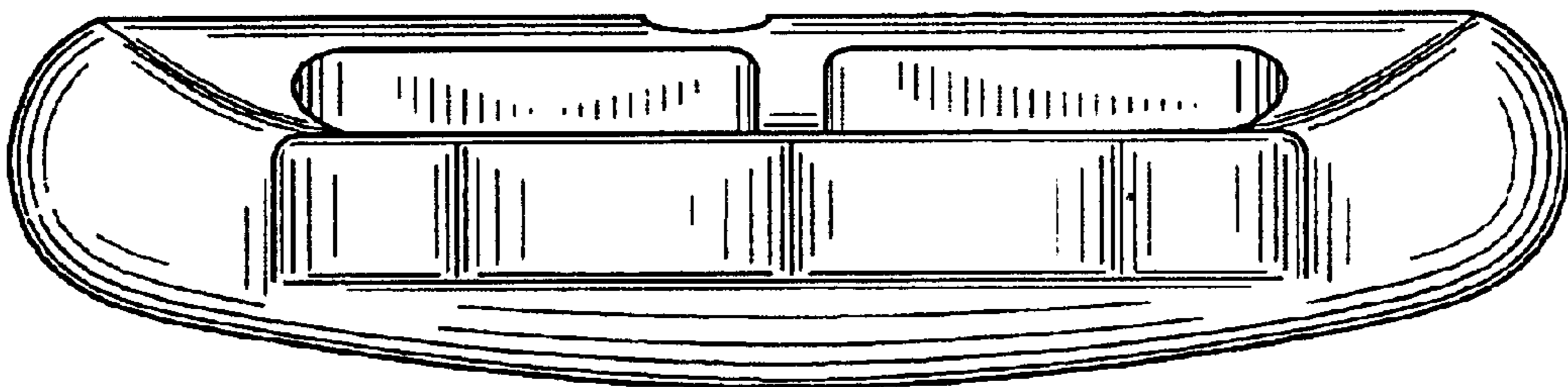
**FIG. 3**



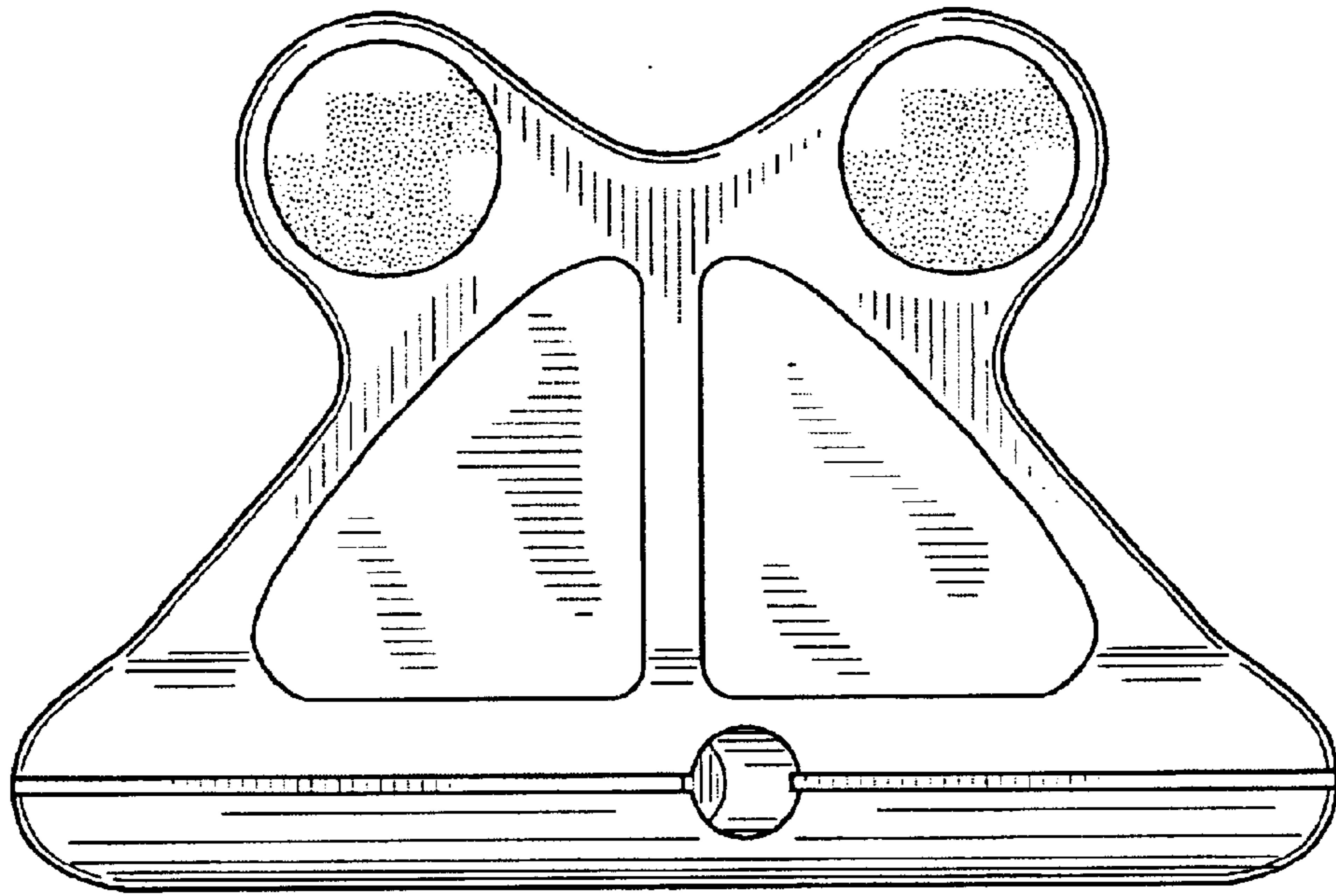
**FIG. 4**



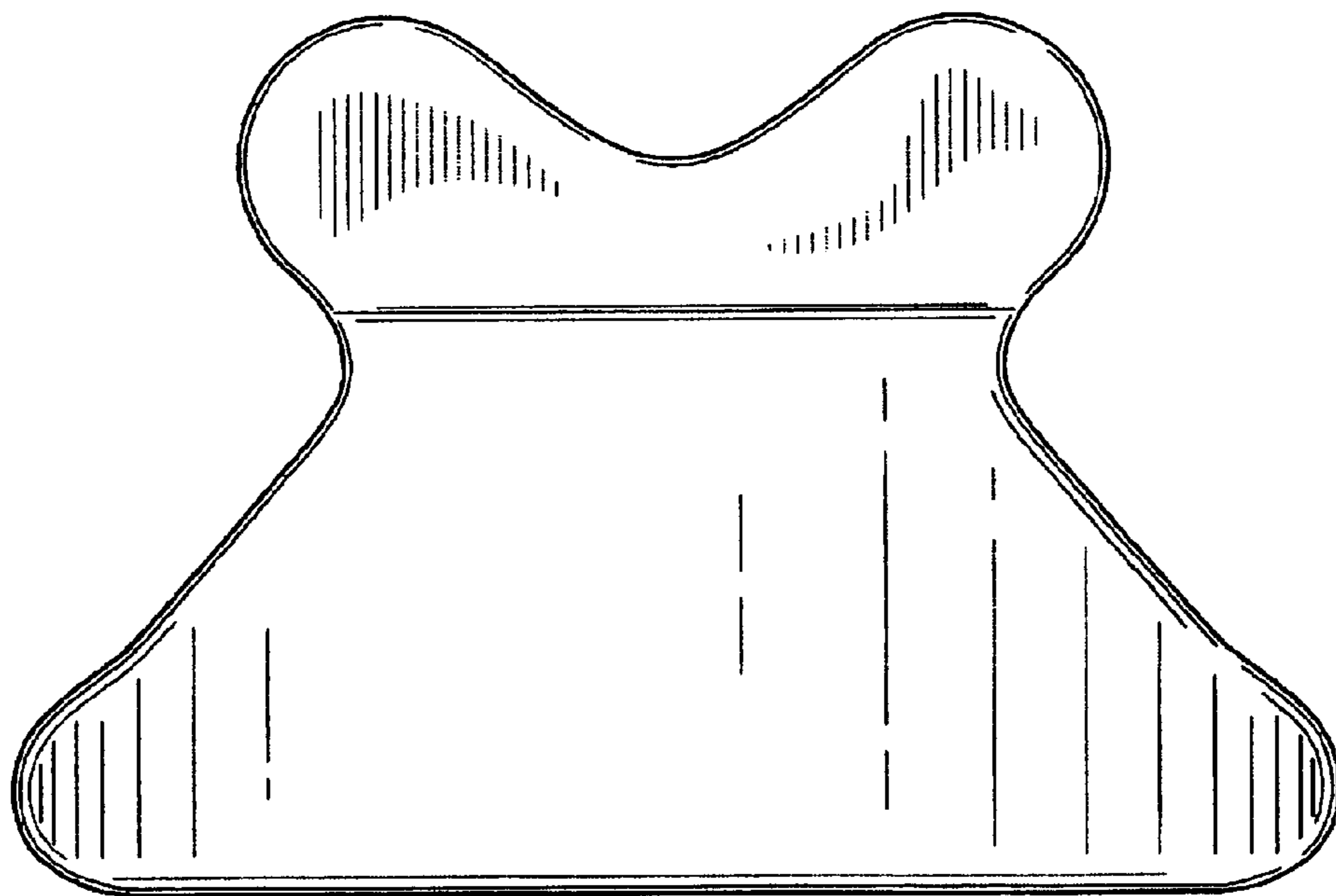
**FIG. 5**



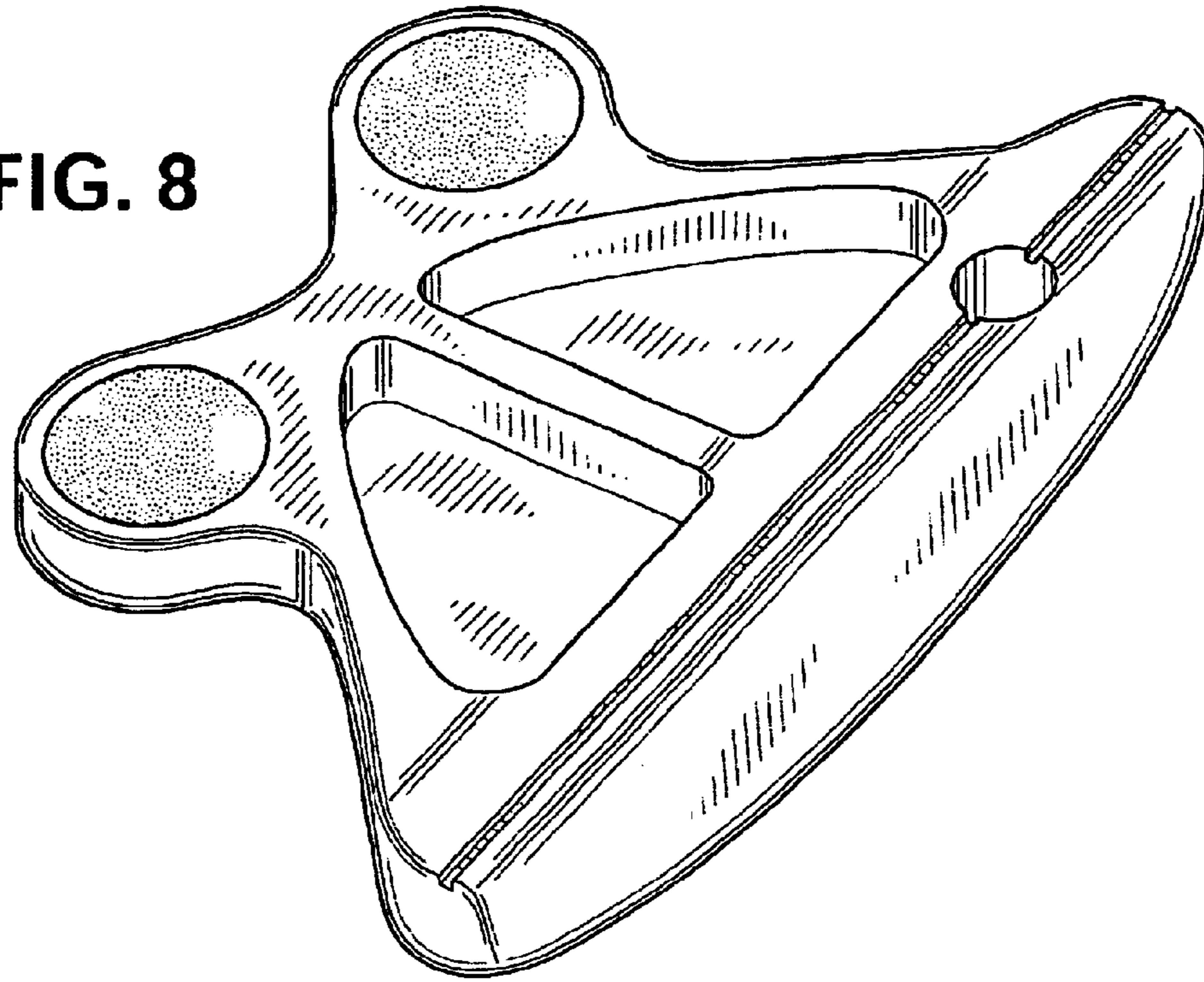
**FIG. 6**



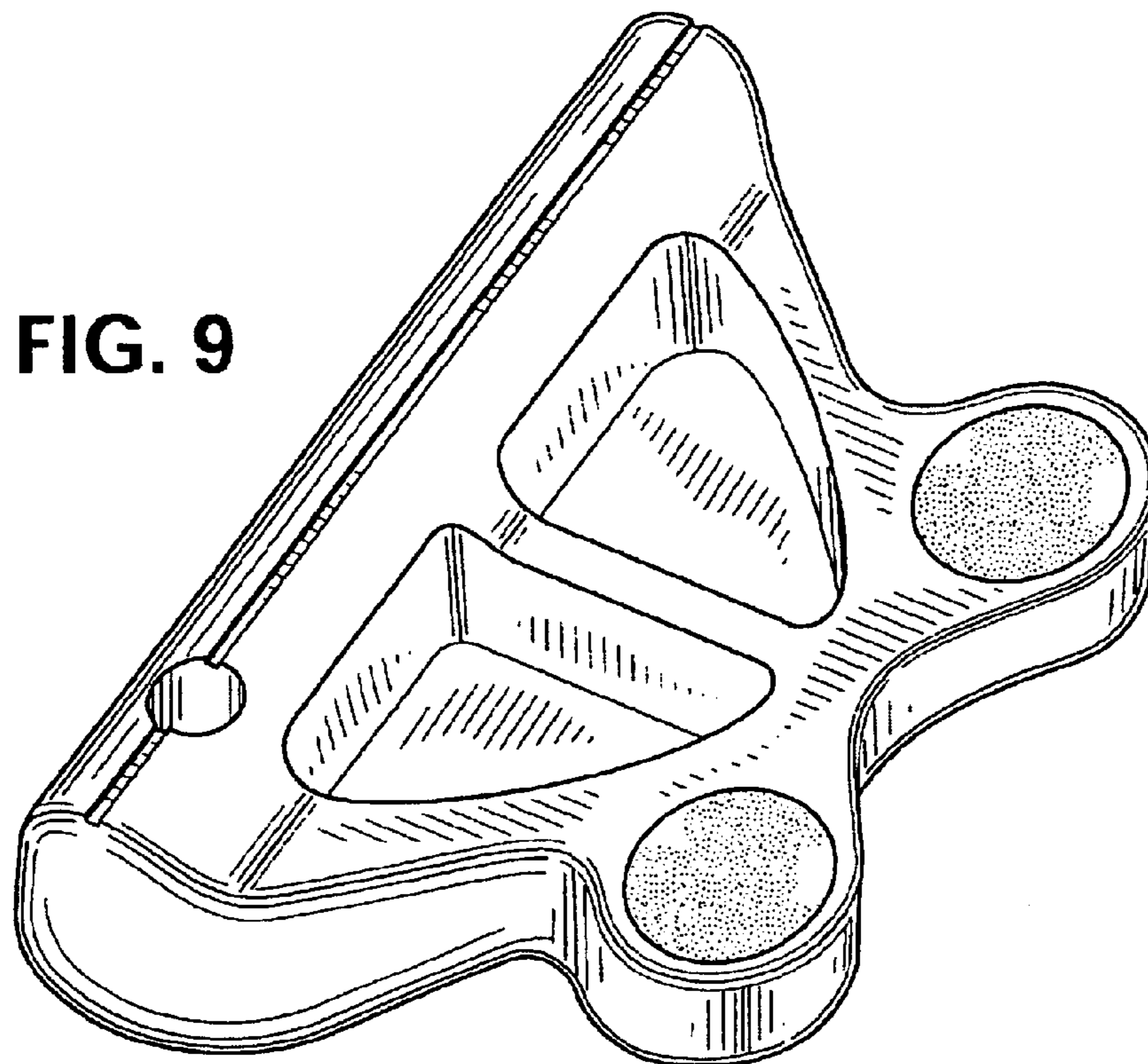
**FIG. 7**



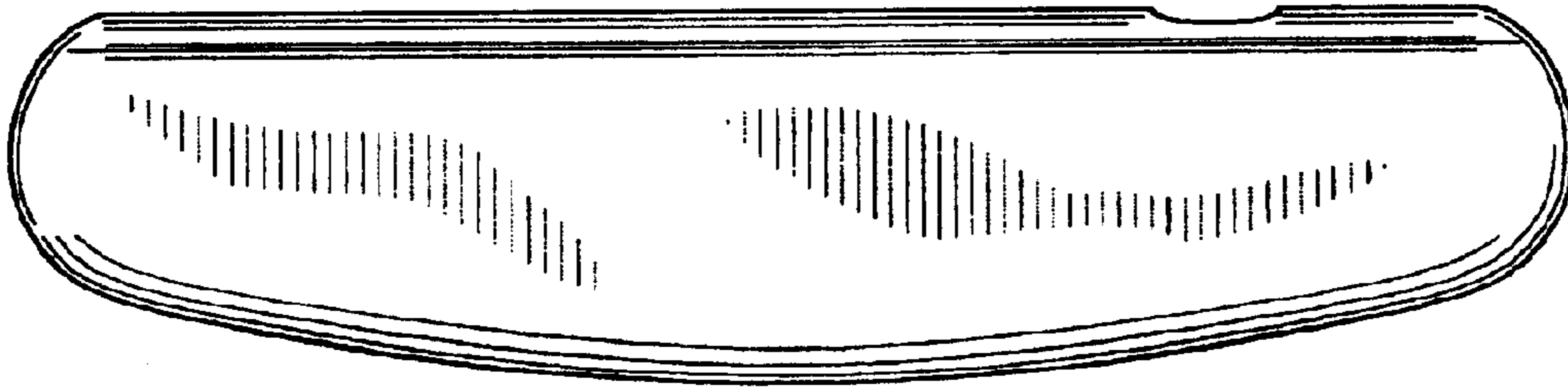
**FIG. 8**



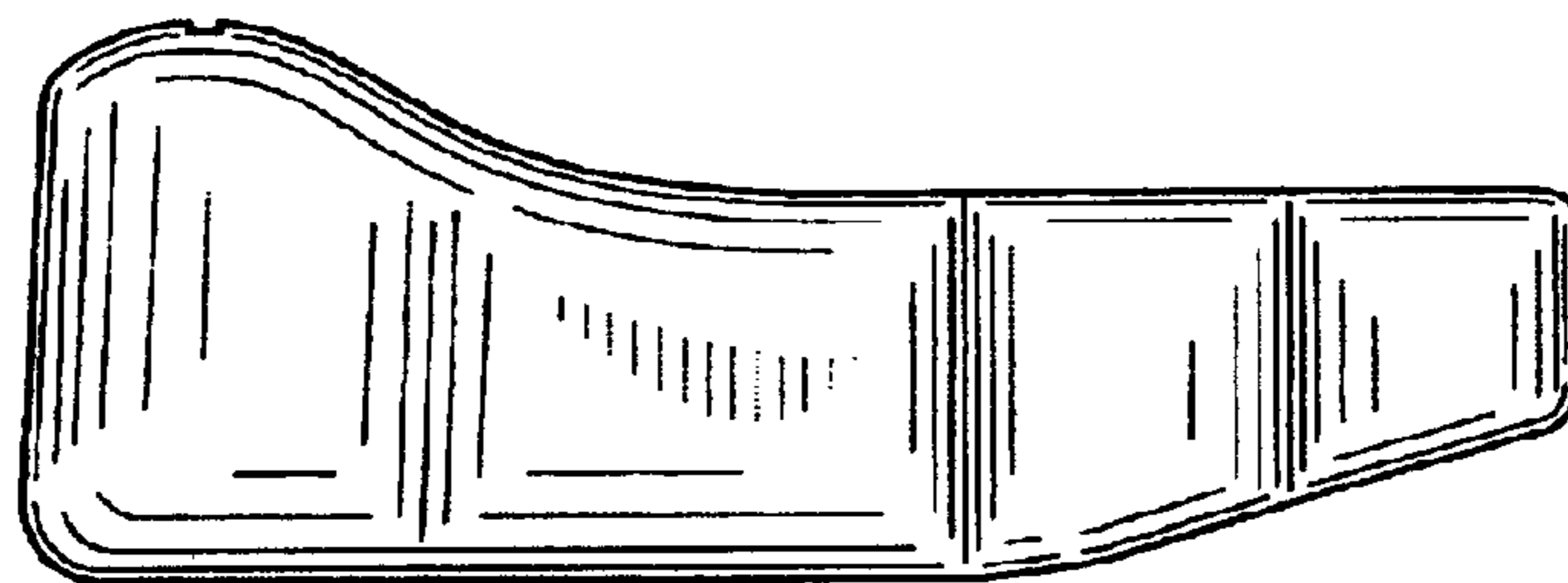
**FIG. 9**



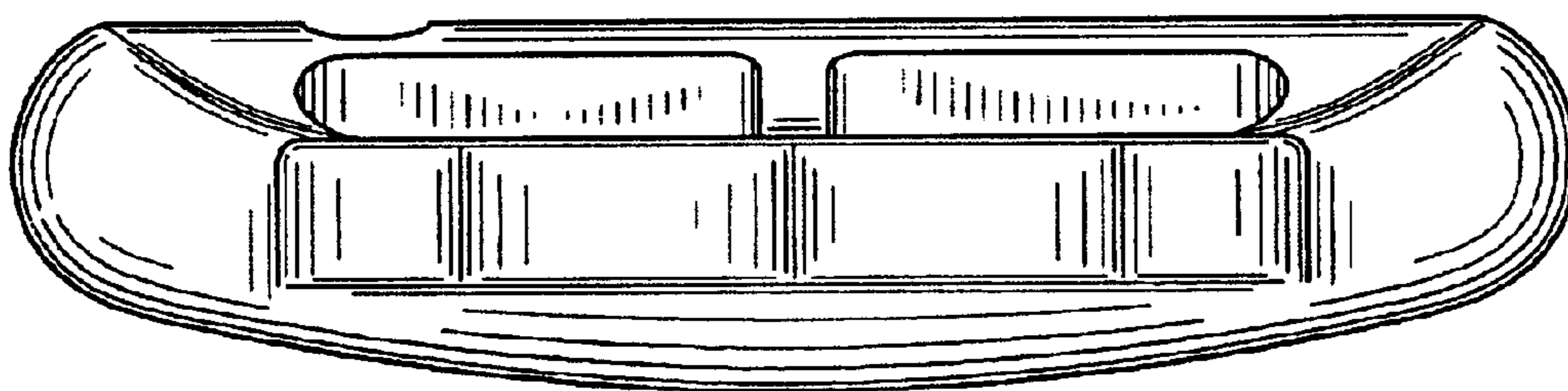
**FIG. 10**



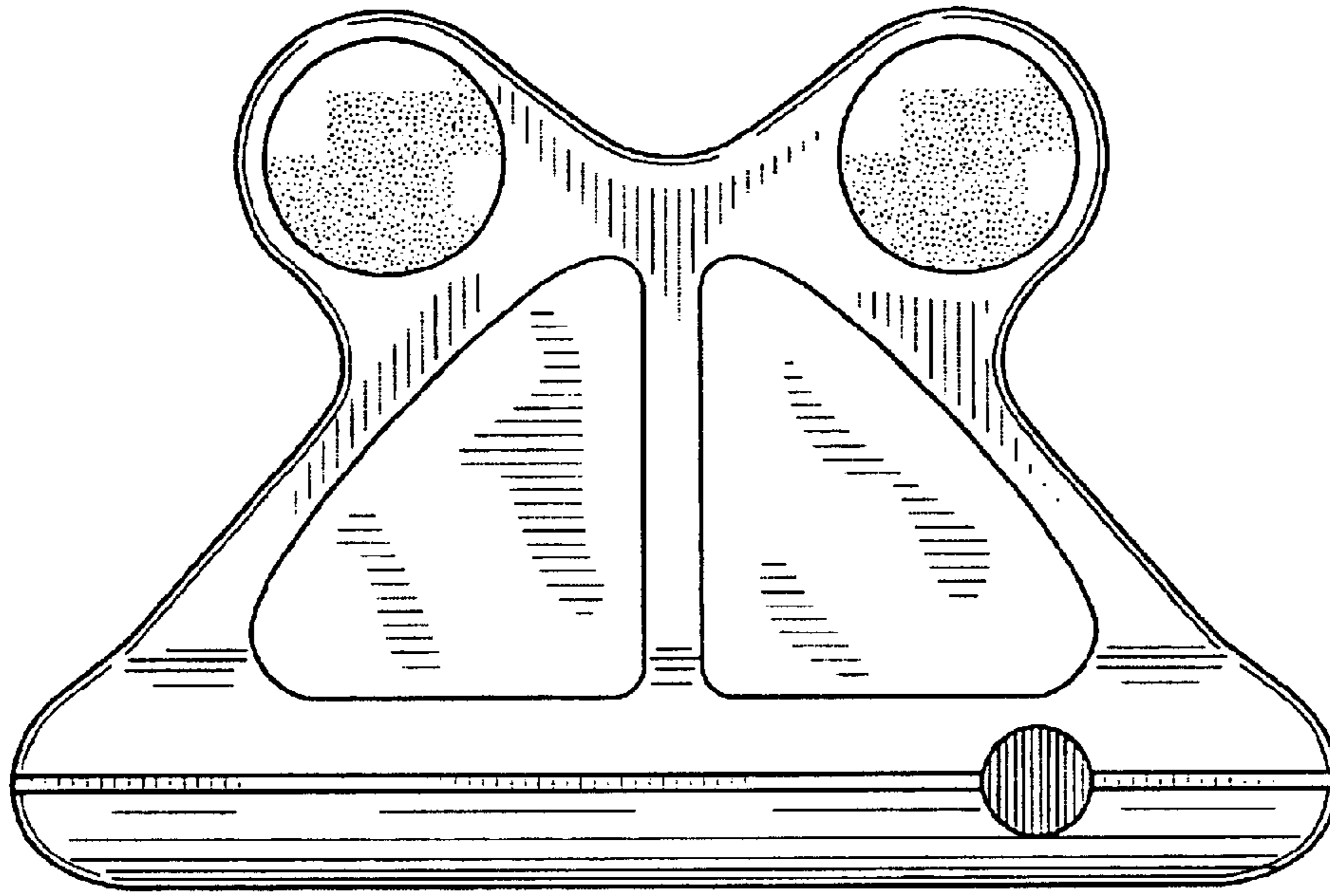
**FIG. 11**



**FIG. 12**



**FIG. 13**



**FIG. 14**

