

US00D501228S

(12) **United States Design Patent**
Santana et al.

(10) **Patent No.:** **US D501,228 S**
(45) **Date of Patent:** **** Jan. 25, 2005**

(54) **DISPLAY SIGN POST**

(76) Inventors: **Nicholas J. Santana**, 41000 Walrus Way, Palmdale, CA (US) 93551;
Kenneth K. Terraccino, 43997 N. 15th St. West, Lancaster, CA (US) 93554

(**) Term: **14 Years**

(21) Appl. No.: **29/199,342**

(22) Filed: **Feb. 13, 2004**

(51) **LOC (7) Cl.** **20-02**

(52) **U.S. Cl.** **D20/41**

(58) **Field of Search** D20/10, 13, 16, D20/17, 39-43, 99; 40/559, 584, 607.01, 607.03, 607.05, 607.08, 607.09; 283/56; 362/812

(56) **References Cited**

U.S. PATENT DOCUMENTS

- 1,466,465 A * 8/1923 Belling 40/607.12
- D84,130 S * 5/1931 Courtenay D20/41
- D84,694 S * 7/1931 Graves D20/41
- 4,410,930 A * 10/1983 Yachabach 362/145

- 4,441,143 A * 4/1984 Richardson, Jr. 362/183
- 5,502,910 A * 4/1996 Lucchesi 40/607.06
- D434,082 S * 11/2000 Tsiogas D20/41
- 6,318,011 B1 * 11/2001 McCudden 40/607.1
- 2001/0047603 A1 * 12/2001 Ross 40/584

* cited by examiner

Primary Examiner—Robert M. Spear

(74) *Attorney, Agent, or Firm*—Ruger A. Marrs

(57) **CLAIM**

The ornamental design for a display sign post, substantially as shown and described.

DESCRIPTION

FIG. 1 is a perspective view of a display sign post showing our new design;
 FIG. 2 is a side-elevational view thereof with the opposite side being a mirror image;
 FIG. 3 is an end view thereof;
 FIG. 4 is an end view taken from the opposite end as shown in FIG. 3;
 FIG. 5 is a top plan view thereof; and,
 FIG. 6 is a bottom view thereof.

1 Claim, 1 Drawing Sheet

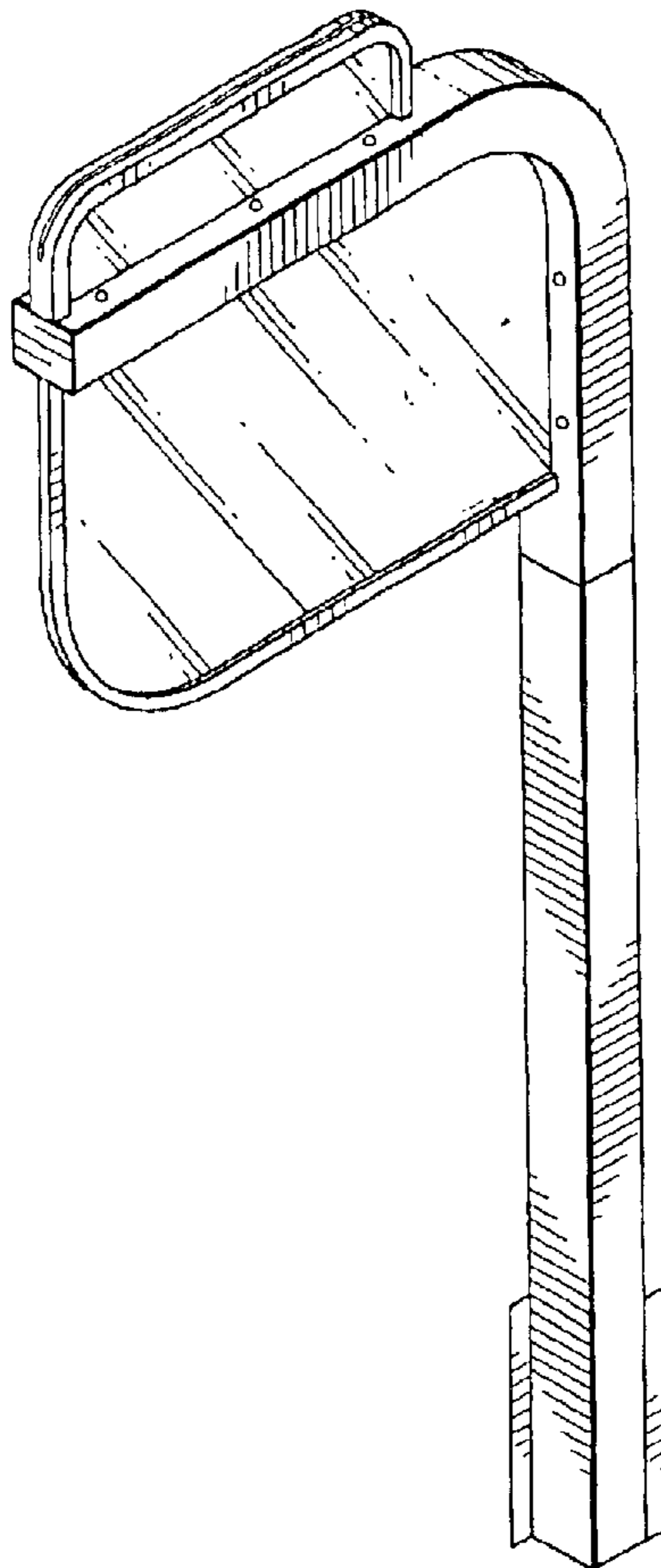


FIG. 1

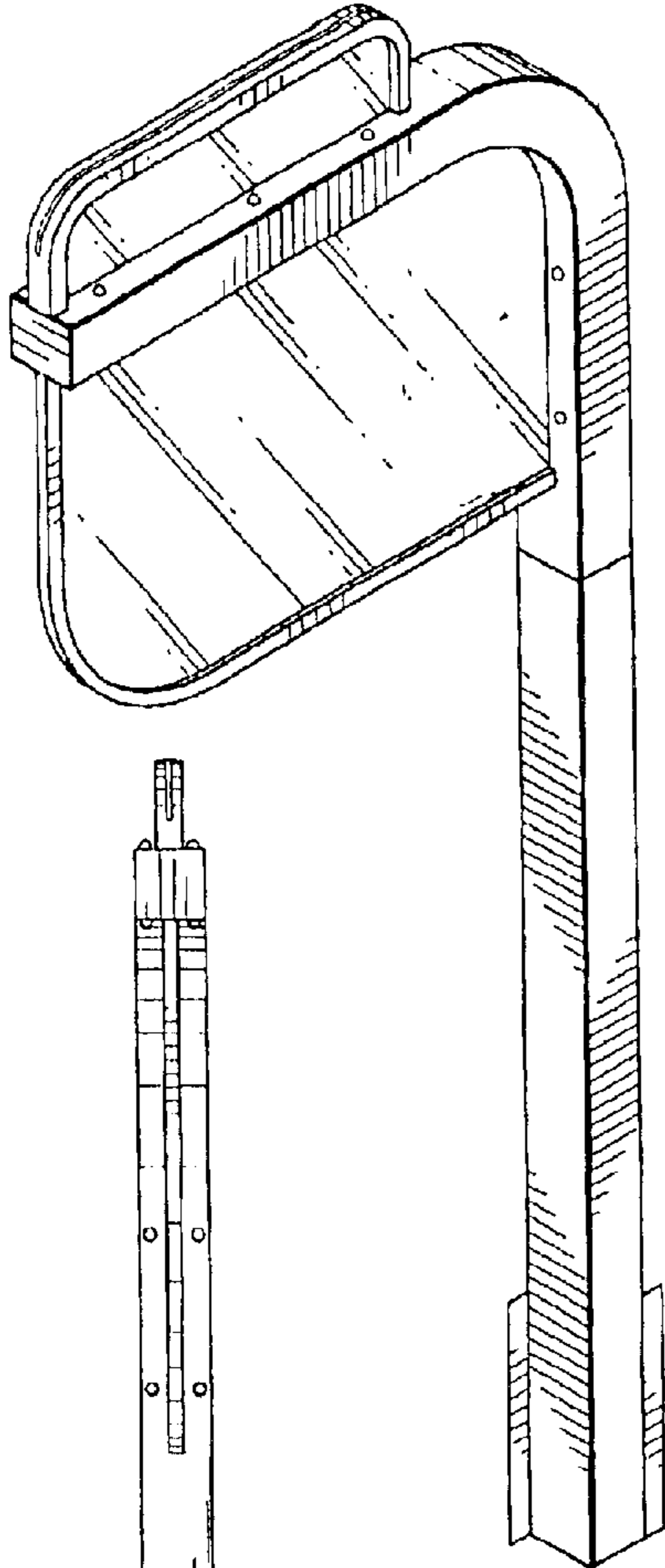


FIG. 5

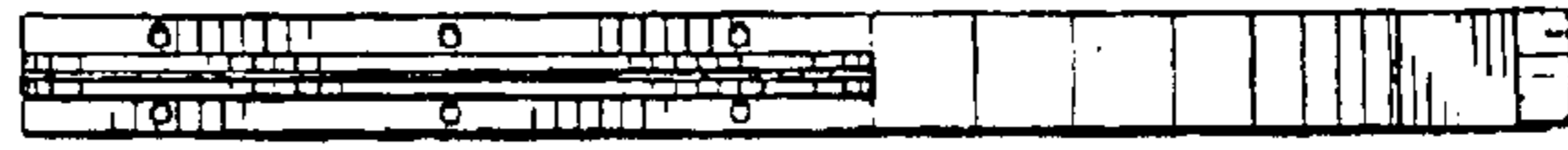


FIG. 2

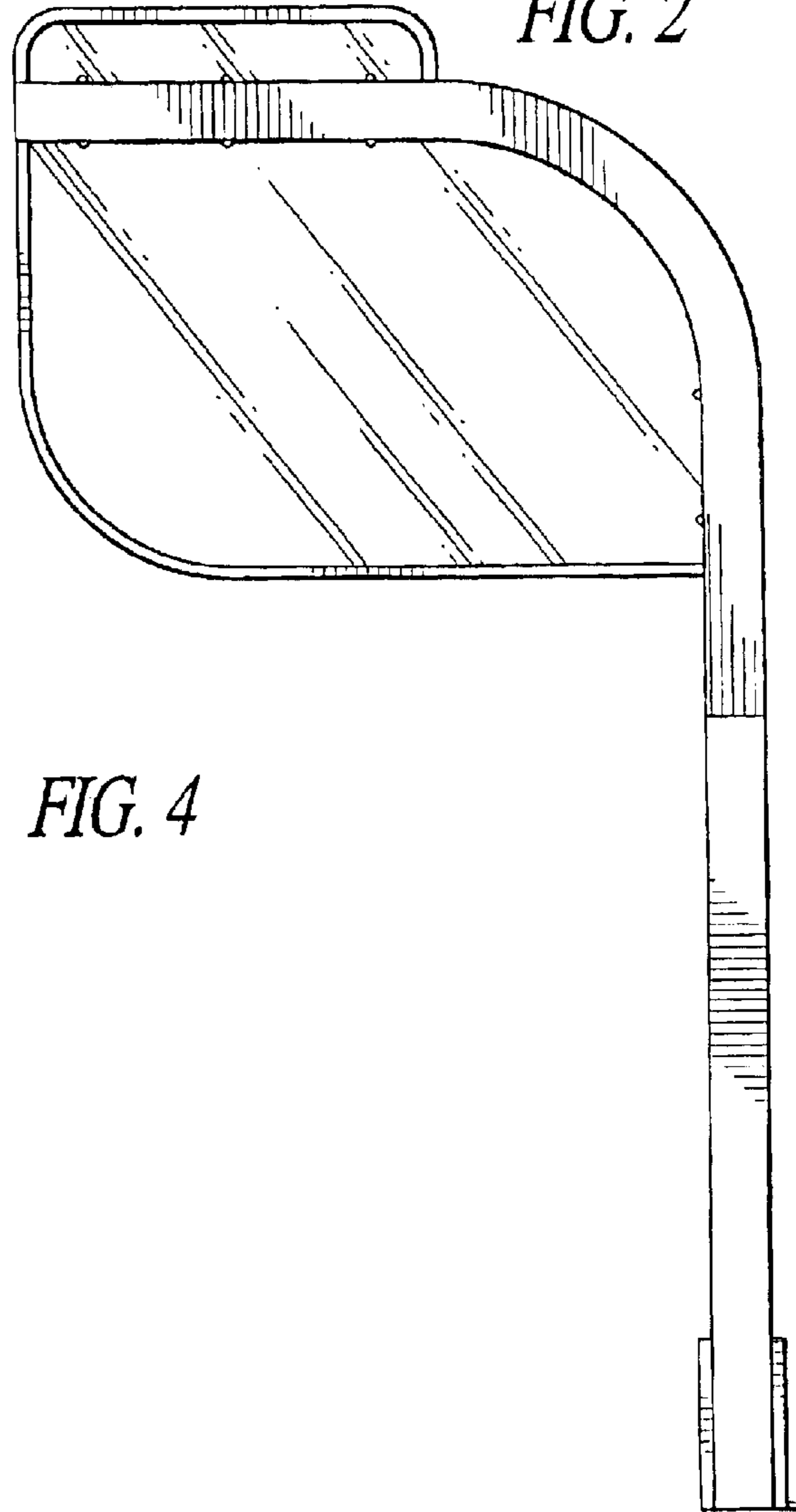


FIG. 4

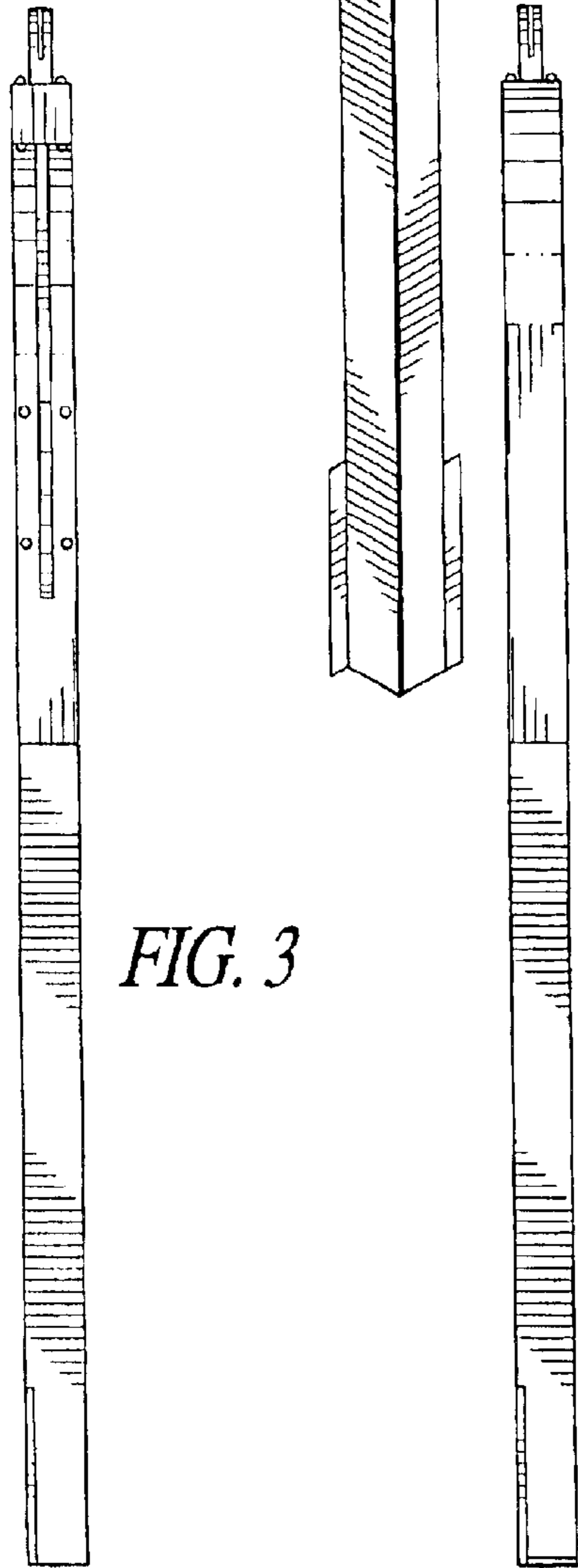


FIG. 3

FIG. 6

