

US00D501226S

(12) **United States Design Patent**
DeCarlo et al.

(10) **Patent No.:** **US D501,226 S**
(45) **Date of Patent:** **** Jan. 25, 2005**

(54) **COLLAPSIBLE LETTER TRAY**
(75) Inventors: **Anthony J. DeCarlo**, Bay Village, OH
(US); **Daniel V. Perella**, Hudson, OH
(US); **Vincent J. Thomson**, Avon Lake,
OH (US)

4,074,810 A * 2/1978 Juergens et al. 211/11
D377,128 S * 1/1997 Baker D6/479
6,102,278 A * 8/2000 Rothas 229/122
D467,273 S * 12/2002 Brooks et al. D19/36
D492,360 S * 6/2004 Hardy D19/92

* cited by examiner

(73) Assignee: **Idea Stream Consumer Products,**
LLC, Parma, OH (US)

Primary Examiner—Martie K. Holtje
(74) *Attorney, Agent, or Firm*—Renner, Otto, Boisselle &
Sklar LLP

(**) Term: **14 Years**

(57) **CLAIM**

(21) Appl. No.: **29/202,359**

The ornamental design for a collapsible letter tray, as shown.

(22) Filed: **Mar. 30, 2004**

DESCRIPTION

(51) **LOC (7) Cl.** **19-02**
(52) **U.S. Cl.** **D19/92; D19/86**
(58) **Field of Search** D6/479; D9/432;
D19/65, 75, 78, 86, 90, 91, 95, 99, 100;
211/10, 11, 13.1, 126.13; 229/122, 117.16,
171, 172, 178, 179, 182, 195, 198; 206/215,
555

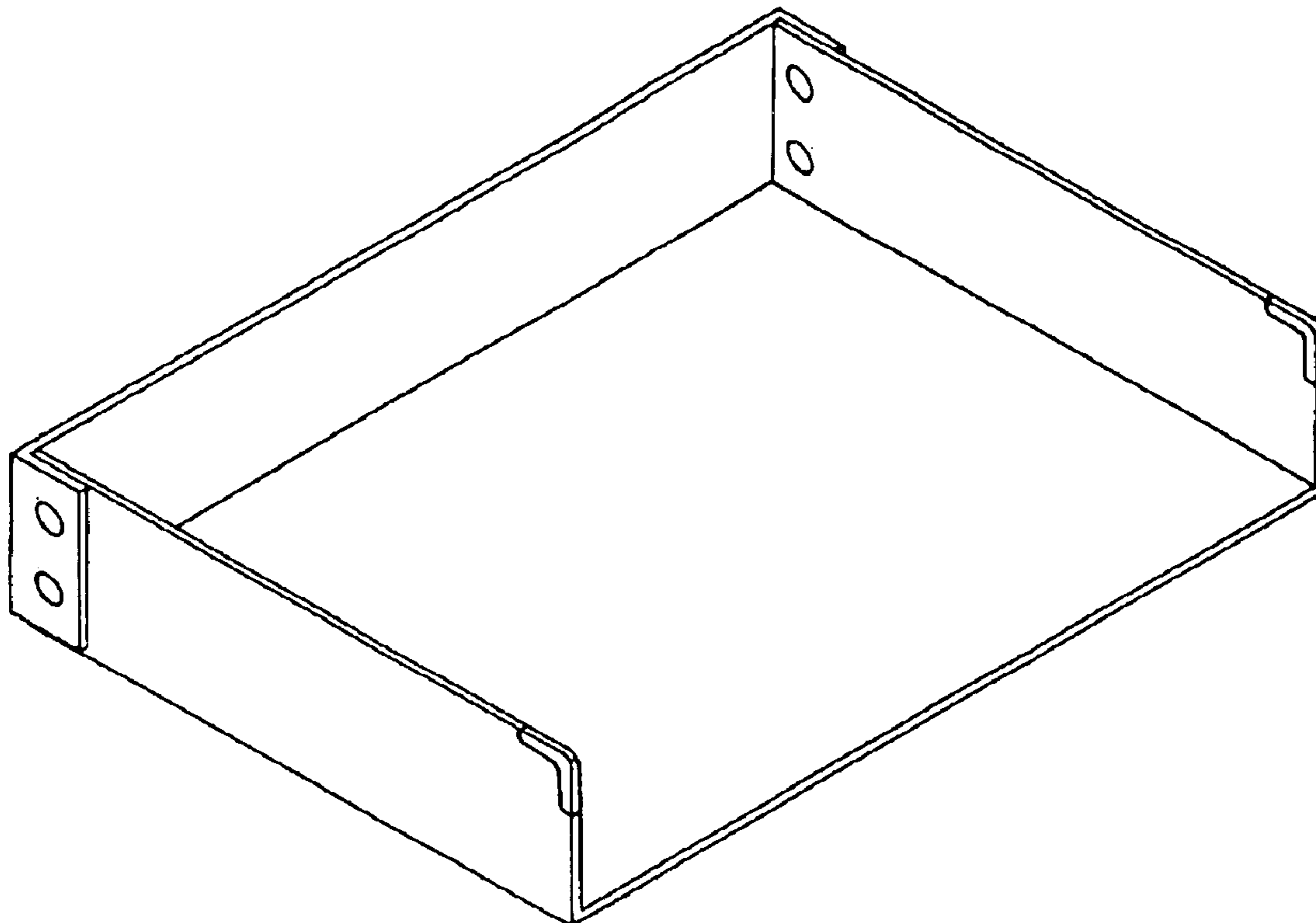
FIG. 1 is a perspective view of a collapsible letter tray in an assembled state showing our new design;
FIG. 2 is a front elevation view of the collapsible letter tray;
FIG. 3 is a left side elevation view of the collapsible letter tray, the right side elevation view is similar to the left side elevation view;
FIG. 4 is a top plan view of the collapsible letter tray;
FIG. 5 is a rear elevation view of the collapsible letter tray;
FIG. 6 is a bottom plan view of the collapsible letter tray;
FIG. 7 is a top plan view of the collapsible letter tray in a collapsed state; and,
FIG. 8 is a bottom plan view of the collapsible letter tray in a collapsed state.

(56) **References Cited**

U.S. PATENT DOCUMENTS

1,856,282 A * 5/1932 Holy 229/178
2,944,719 A * 7/1960 Arneson 229/171
D241,834 S * 10/1976 Evenson D19/20
D244,430 S * 5/1977 Larkin D9/432

1 Claim, 5 Drawing Sheets



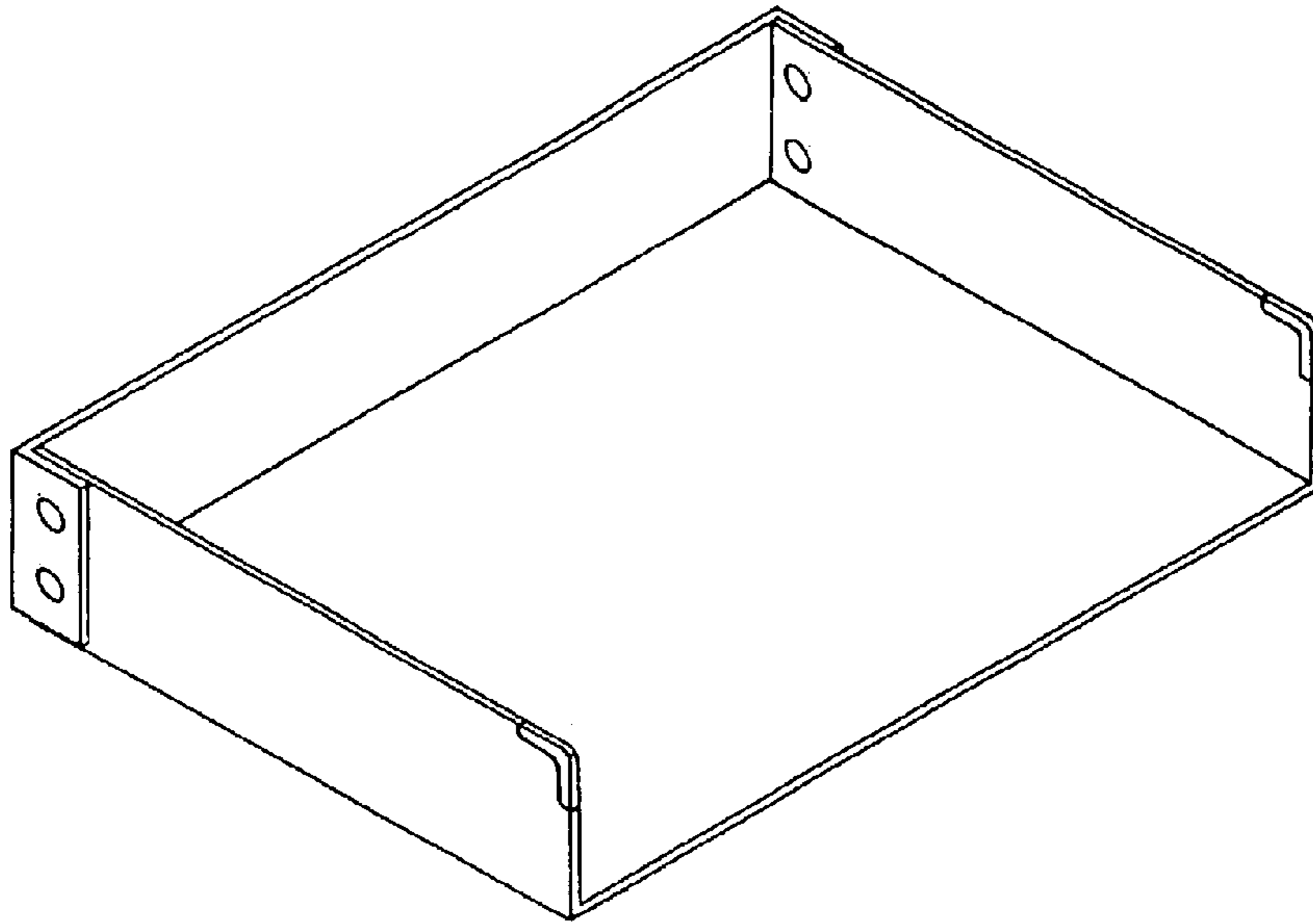


FIG. 1

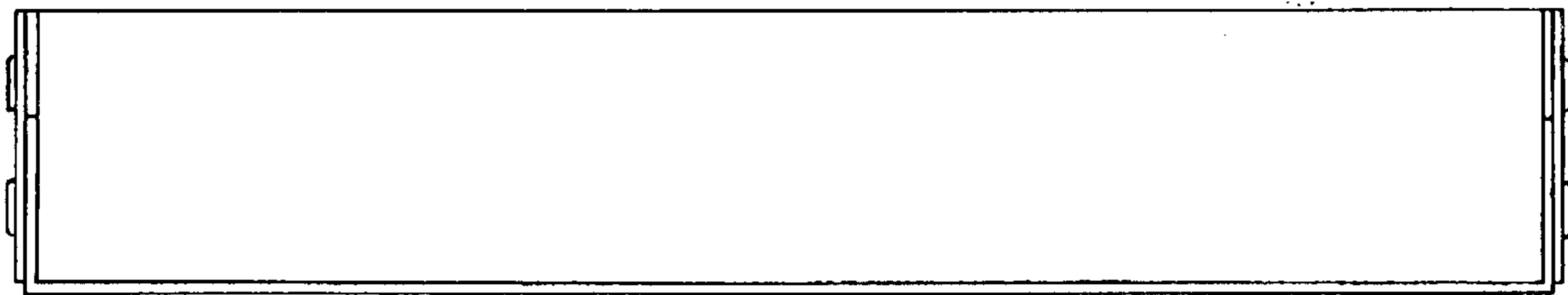


FIG. 2

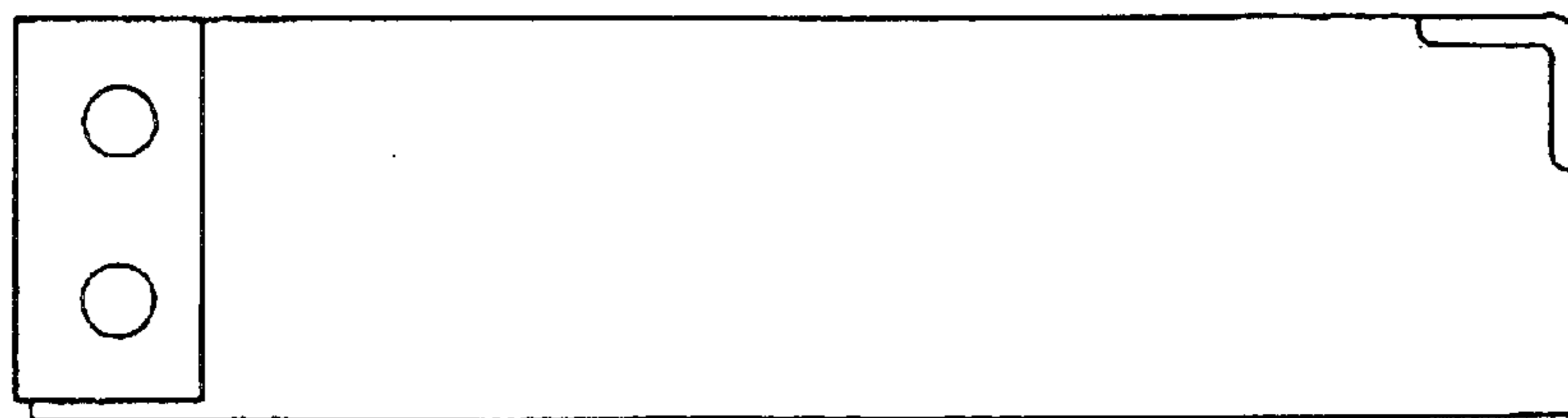


FIG. 3

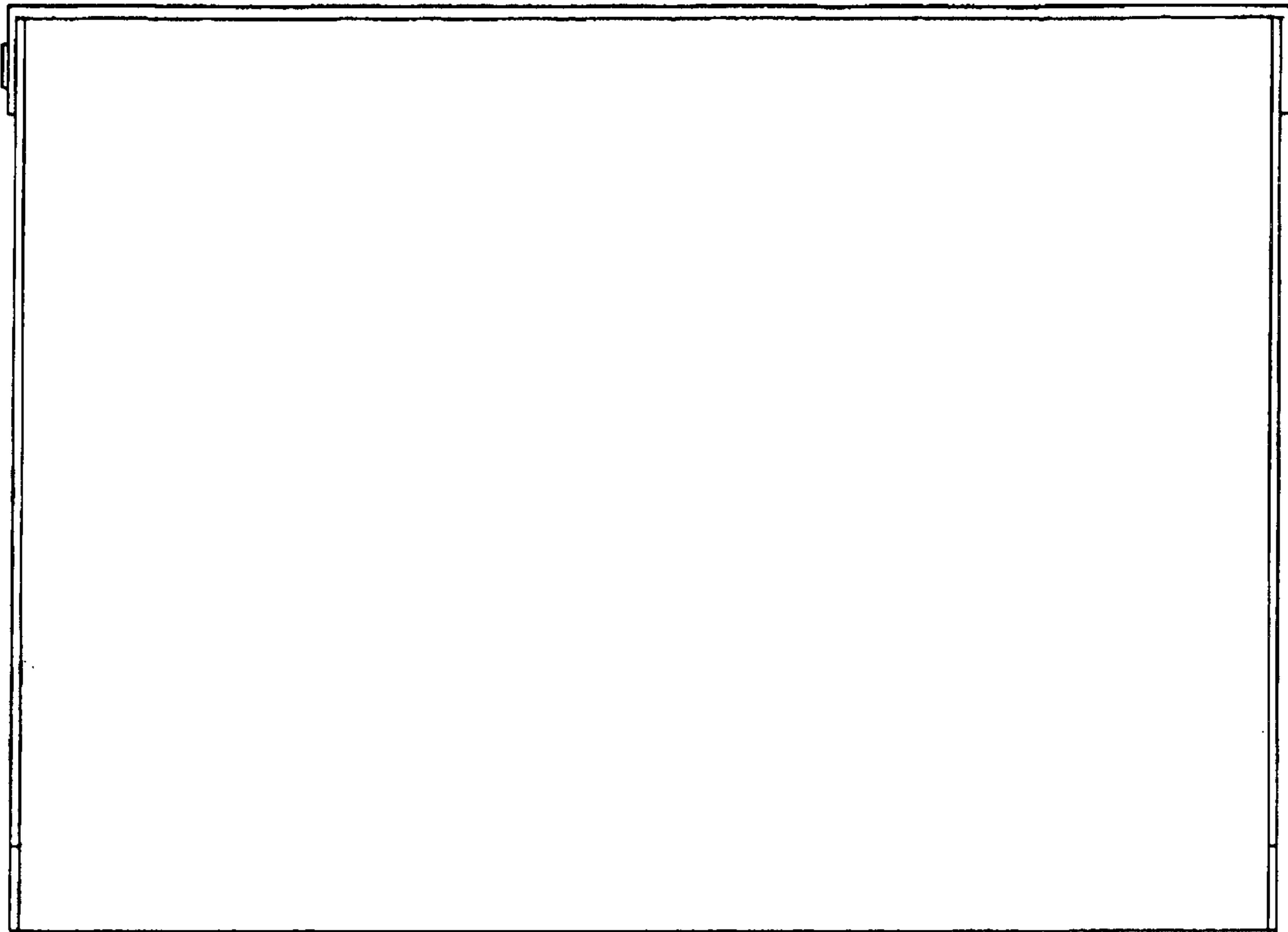


FIG. 4

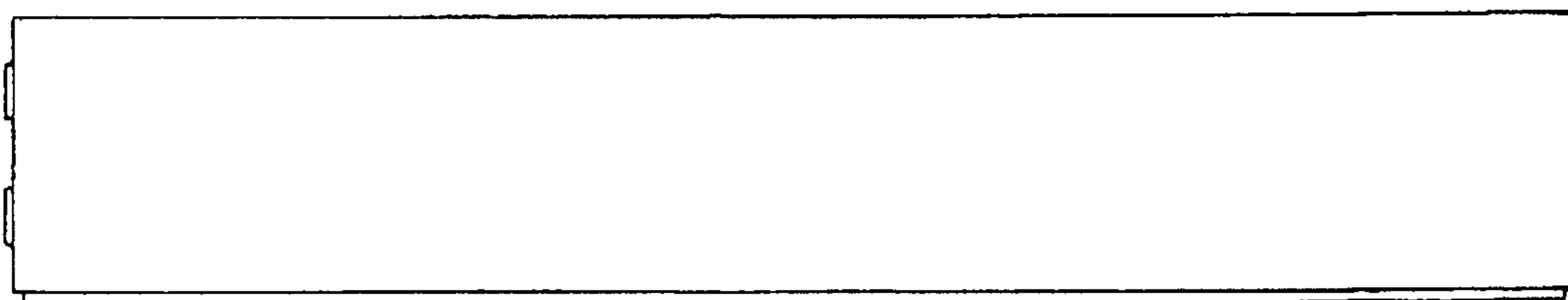


FIG. 5

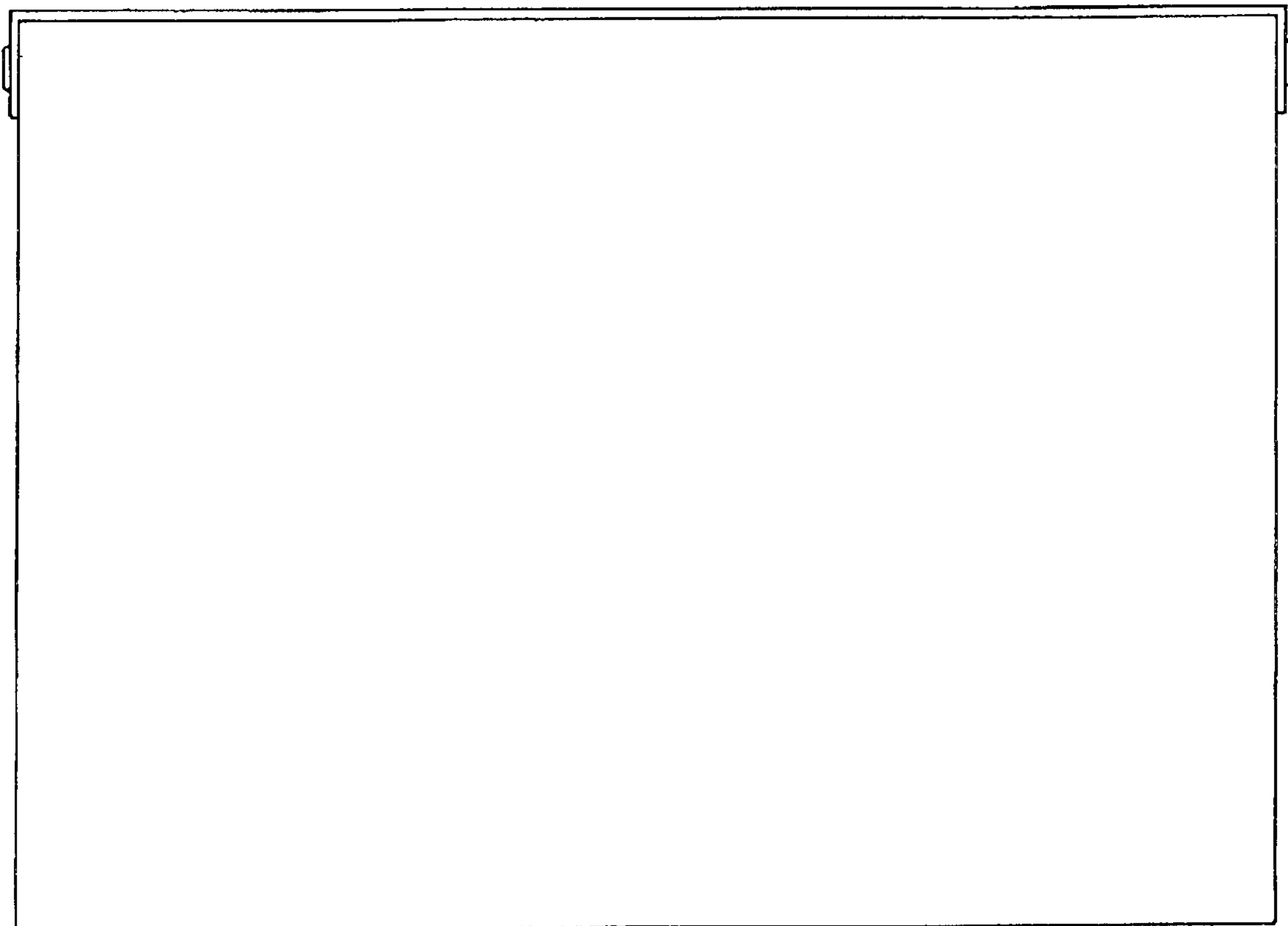


FIG. 6

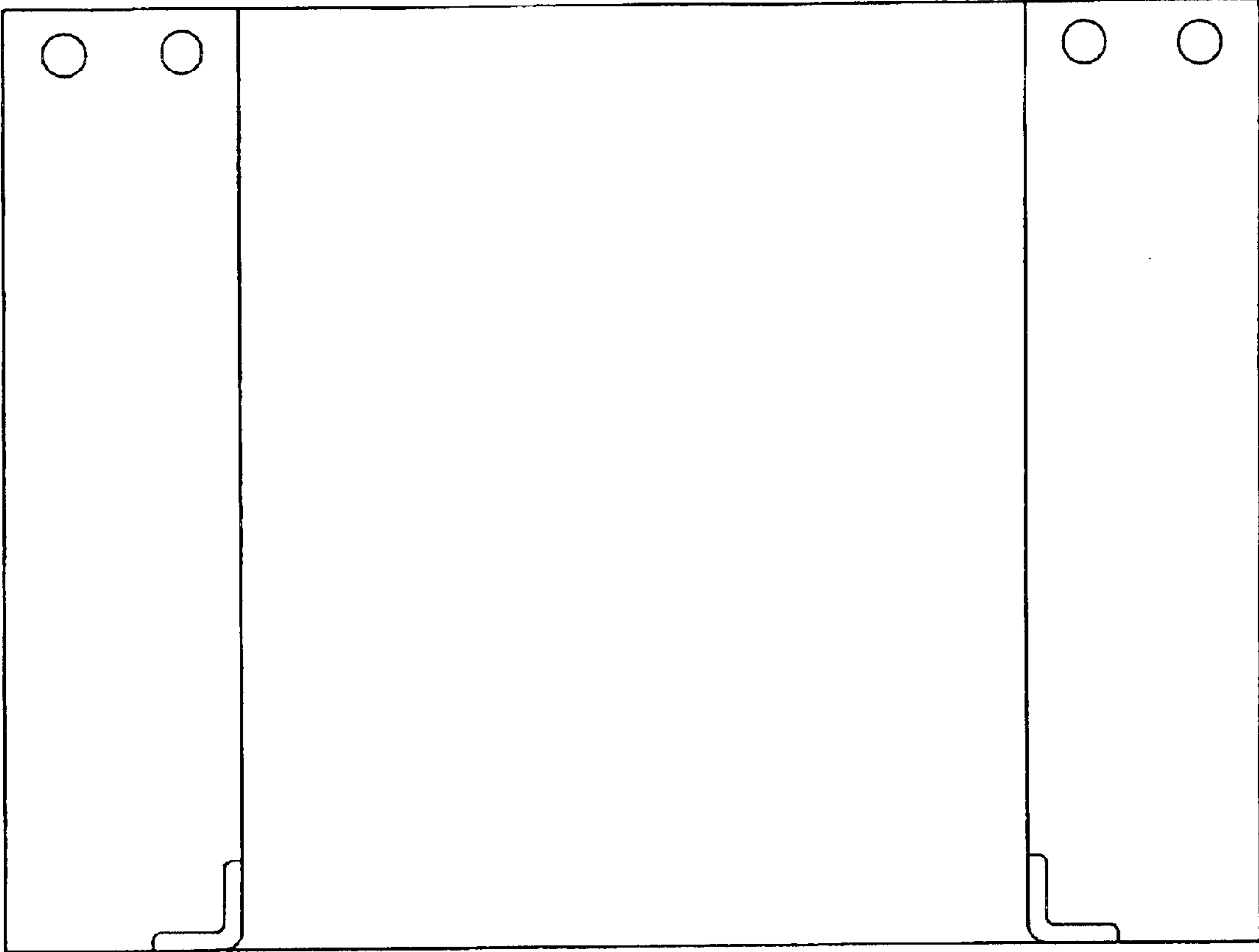


FIG. 7

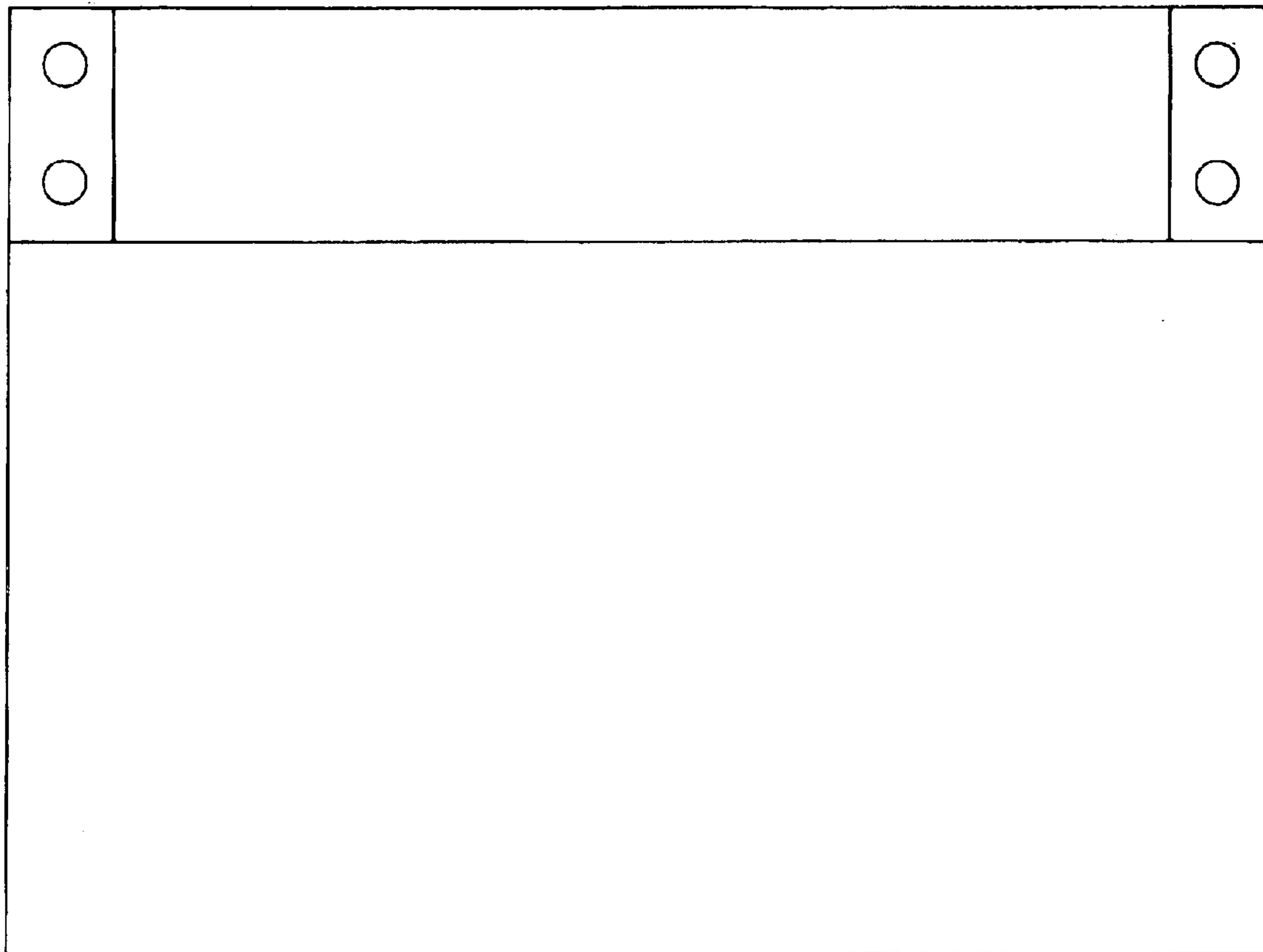


FIG. 8