

US00D501225S

(12) **United States Design Patent**
Milliorn

(10) **Patent No.:** **US D501,225 S**
(45) **Date of Patent:** **** Jan. 25, 2005**

- (54) **MODULAR CONTAINER FOR HOLDING LABELS**
- (75) Inventor: **J. Michael Milliorn**, Fort Worth, TX (US)
- (73) Assignee: **Ecolab Inc.**, St. Paul, MN (US)
- (**) Term: **14 Years**
- (21) Appl. No.: **29/158,837**
- (22) Filed: **Apr. 11, 2002**
- (51) **LOC (7) Cl.** **19-02**
- (52) **U.S. Cl.** **D19/69; D19/75**
- (58) **Field of Search** D19/65, 66, 67, D19/68, 69, 72, 89, 99, 100; 225/6, 7, 12, 11, 19, 22, 25, 34, 35, 38, 45, 46, 56, 57, 74, 77, 89; 242/588, 588.1-588.6, 590; 156/327, 523, 527, 577; 221/73, 305; 206/226, 397, 394, 409, 411, 459.5, 389, 391

(56) **References Cited**

U.S. PATENT DOCUMENTS

- 810,791 A * 1/1906 McCourt et al. 225/38
- 920,670 A 5/1909 Scott
- 2,676,861 A 4/1954 Belew
- D183,867 S * 11/1958 Wagner D19/69
- 3,131,829 A 5/1964 Masser
- 3,300,057 A 1/1967 Wheaton
- 3,369,658 A 2/1968 Hasselmann
- 3,537,933 A * 11/1970 Severance 221/73 X
- 3,547,327 A * 12/1970 Mariani 225/38
- 3,749,273 A 7/1973 Wreghitt et al.
- 3,987,897 A * 10/1976 Smith 206/226

- 4,328,902 A 5/1982 North
- D270,648 S * 9/1983 Mayo D19/67
- D270,738 S * 9/1983 Mayo D19/67
- 4,821,918 A * 4/1989 Turner 221/73 X
- 4,889,254 A 12/1989 Vola
- 5,111,942 A 5/1992 Bernardin
- D327,965 S 7/1992 Chelec
- 5,240,126 A 8/1993 Foster et al.
- 5,431,294 A 7/1995 Stottmann et al.
- 5,469,961 A 11/1995 Chang
- 5,484,082 A * 1/1996 Casper et al. 221/305
- 5,503,288 A 4/1996 Conconi
- 5,570,809 A * 11/1996 Martin 221/73
- 5,950,959 A 9/1999 Milliorn
- D454,369 S * 3/2002 Milliorn D19/69

* cited by examiner

Primary Examiner—Martie K. Holtje
(74) *Attorney, Agent, or Firm*—Andrew D. Sorensen; Anneliese M. Seifert

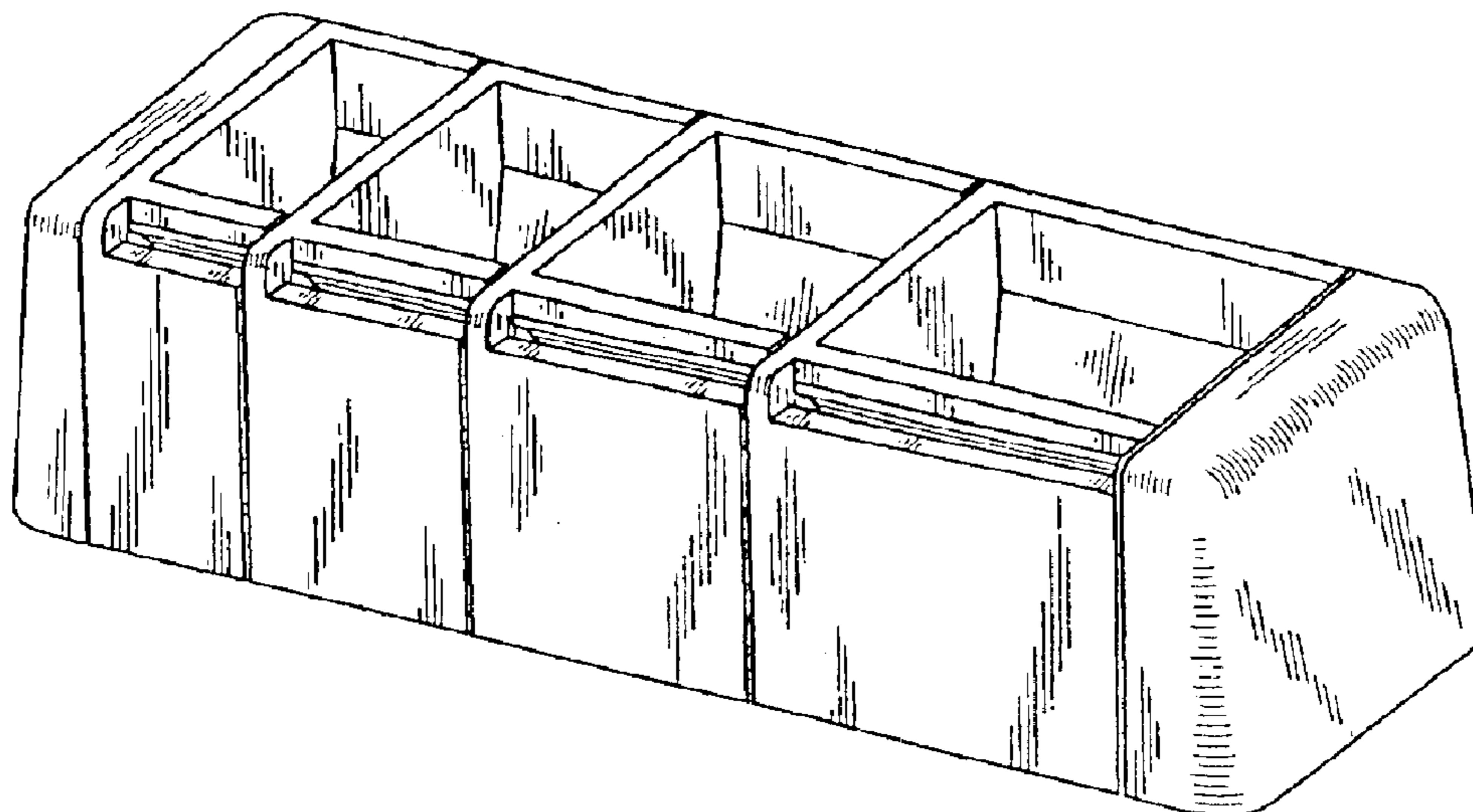
(57) **CLAIM**

The ornamental design for a modular container for holding labels, as shown and described.

DESCRIPTION

FIG. 1 is a top, front perspective view of a modular container for holding labels showing my new design; FIG. 2 is a front elevational view of FIG. 1; FIG. 3 is a rear elevational view of FIG. 1; FIG. 4 is a right side elevational view of FIG. 1; FIG. 5 is a left side elevational view of FIG. 1; and, FIG. 6 is a top plan view thereof.

1 Claim, 3 Drawing Sheets



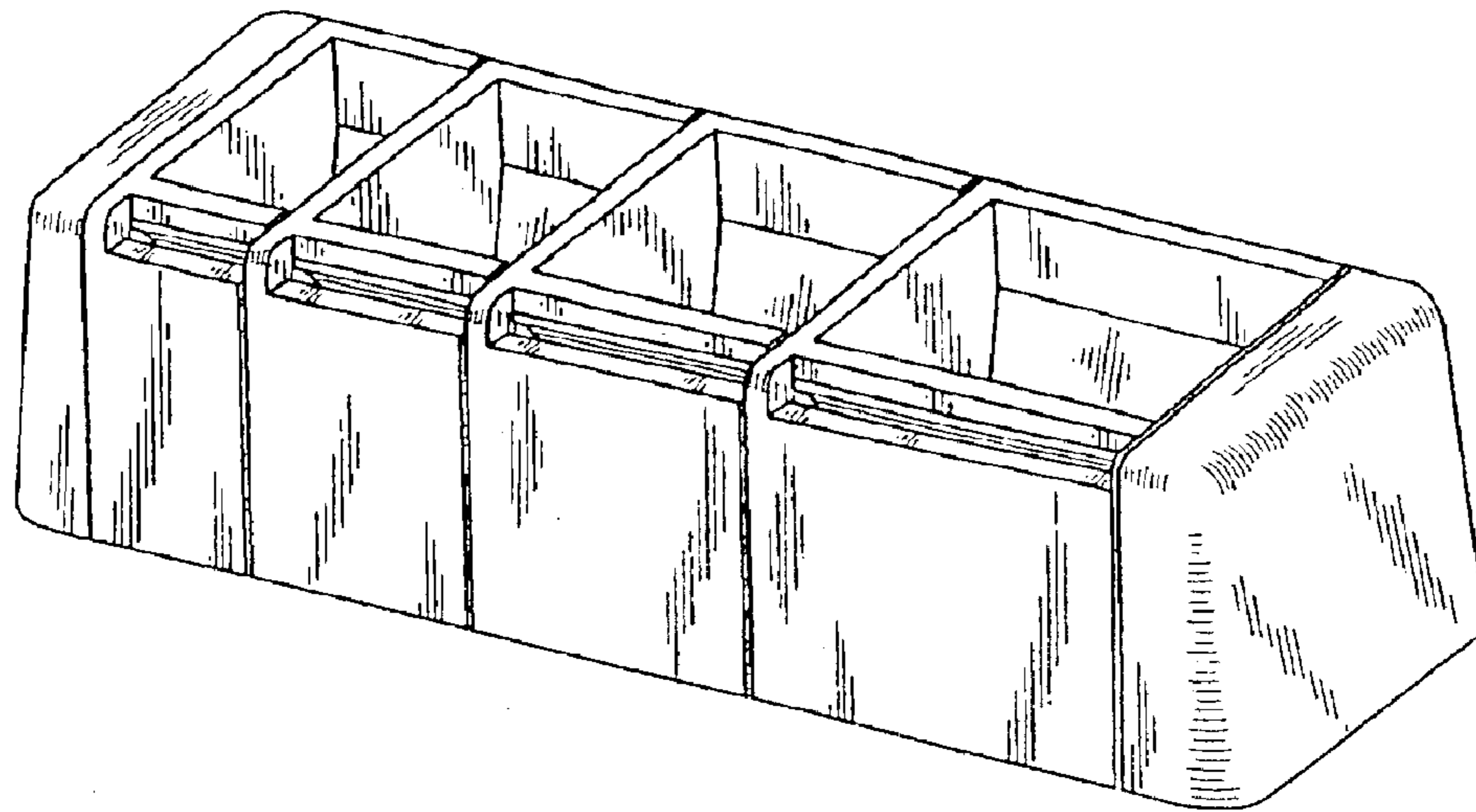


FIG. 1

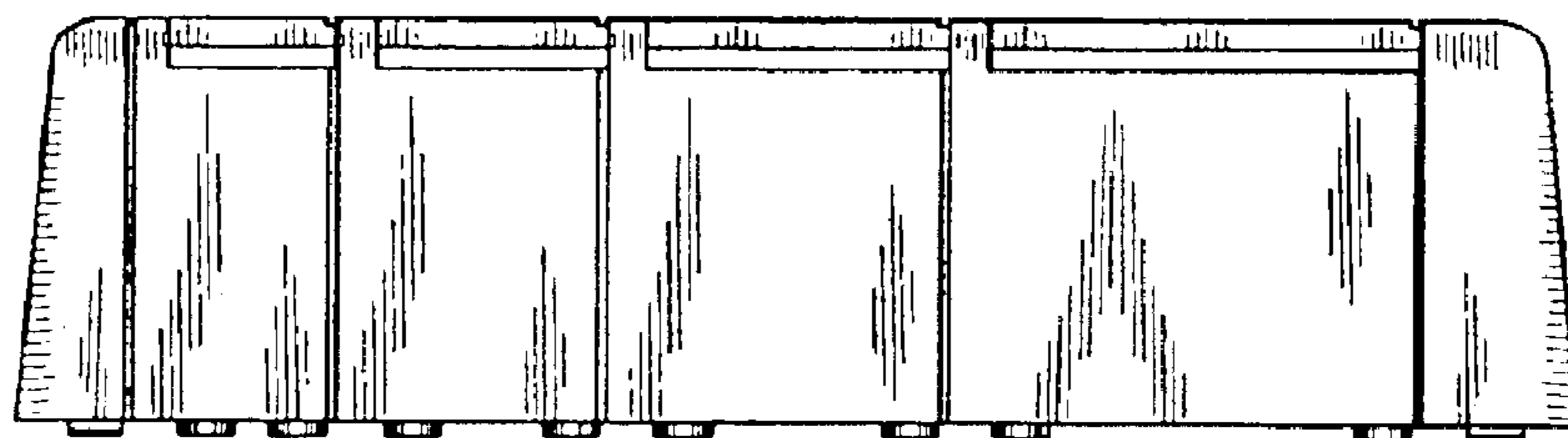


FIG. 2

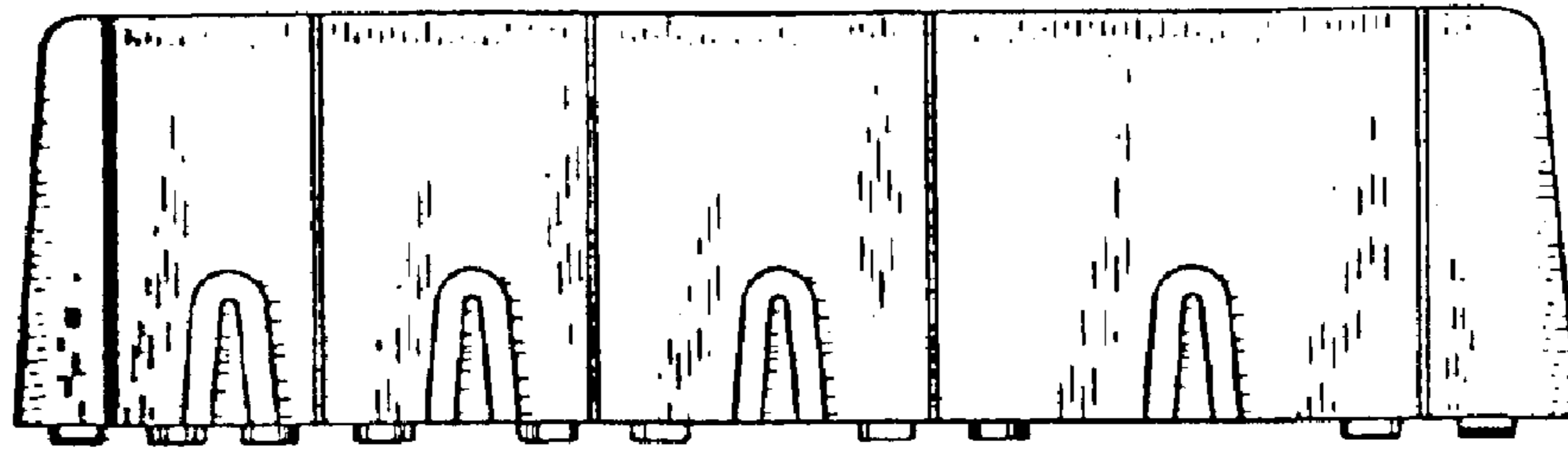


FIG. 3

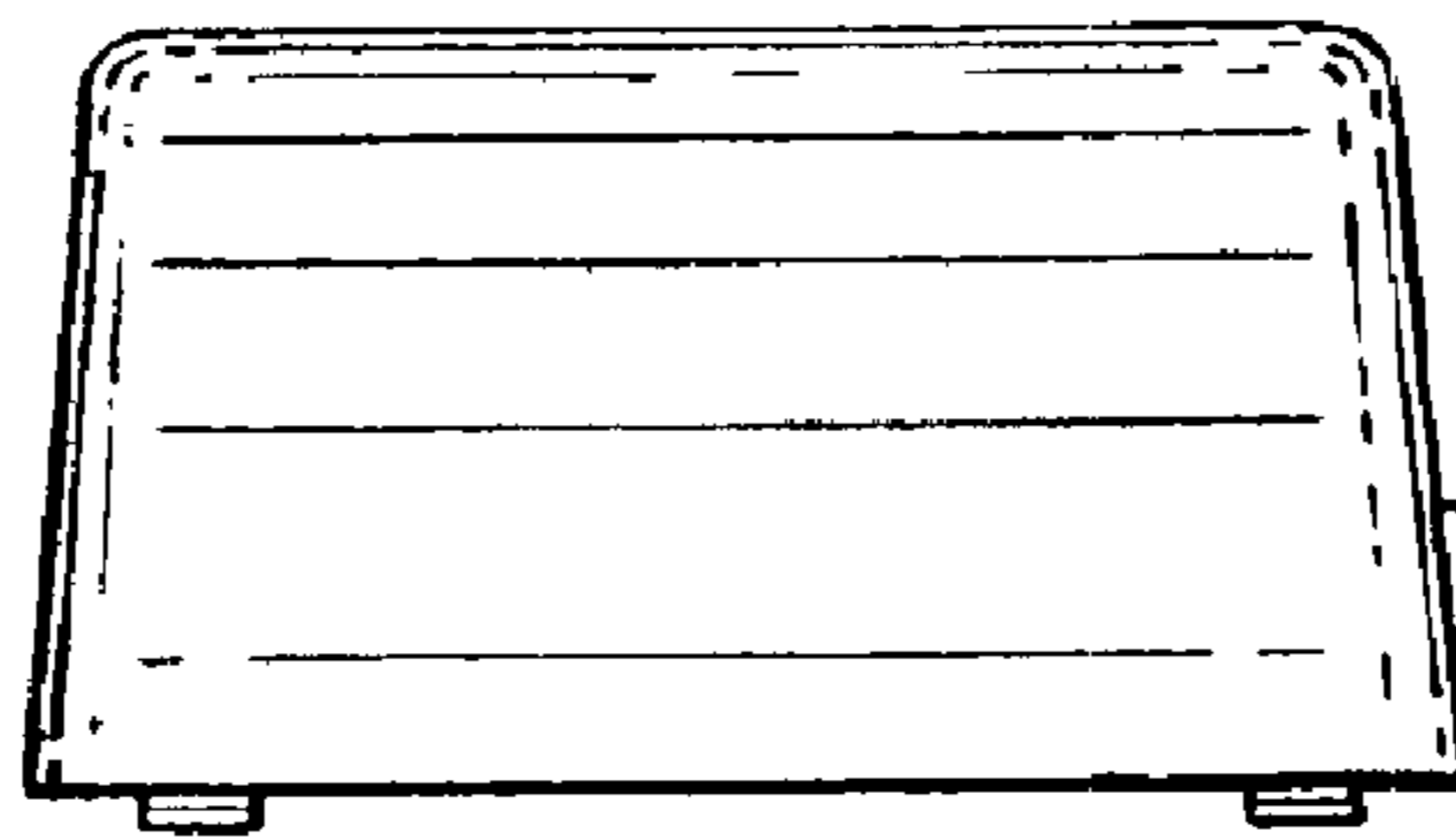


FIG. 4

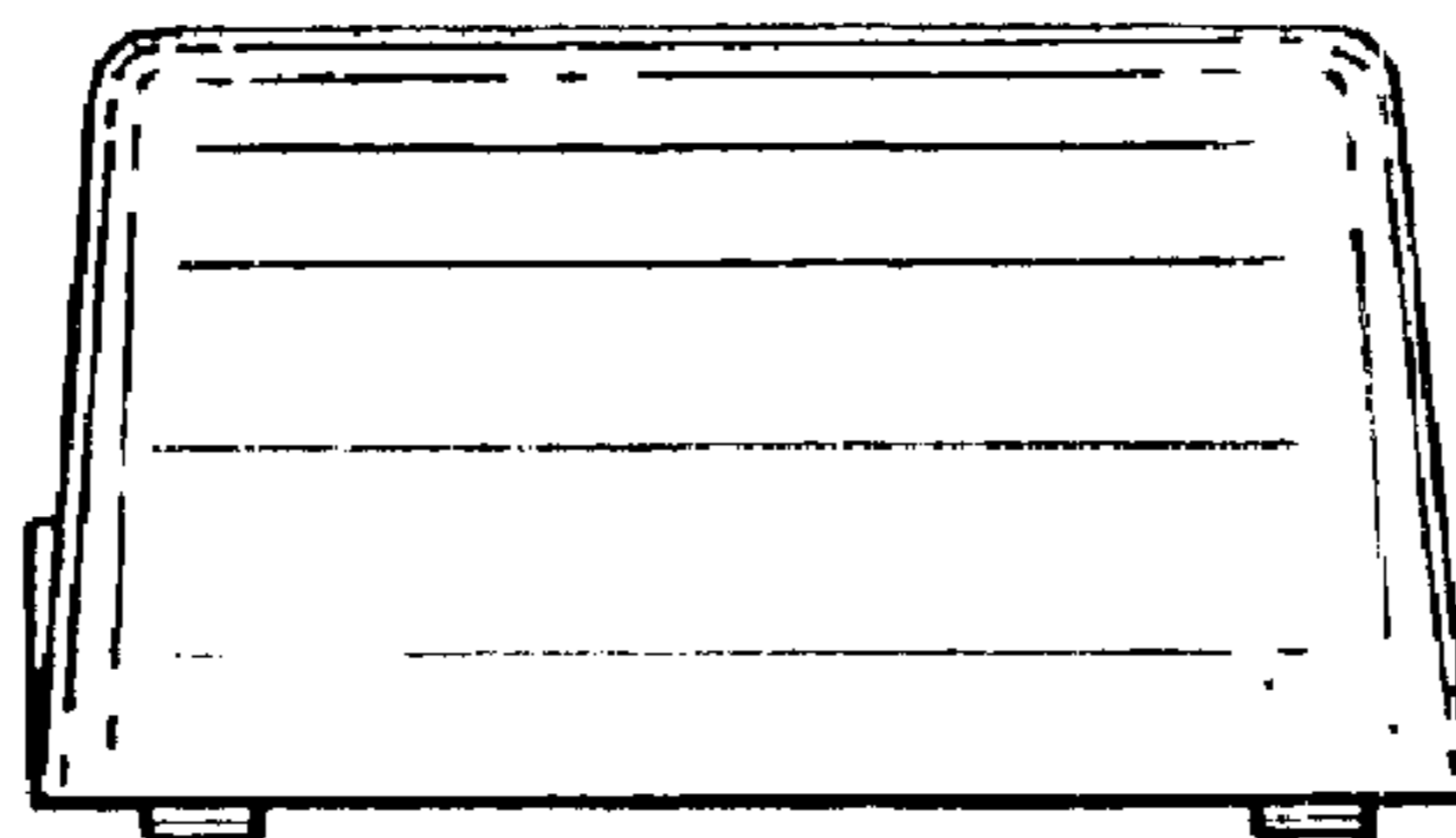


FIG. 5

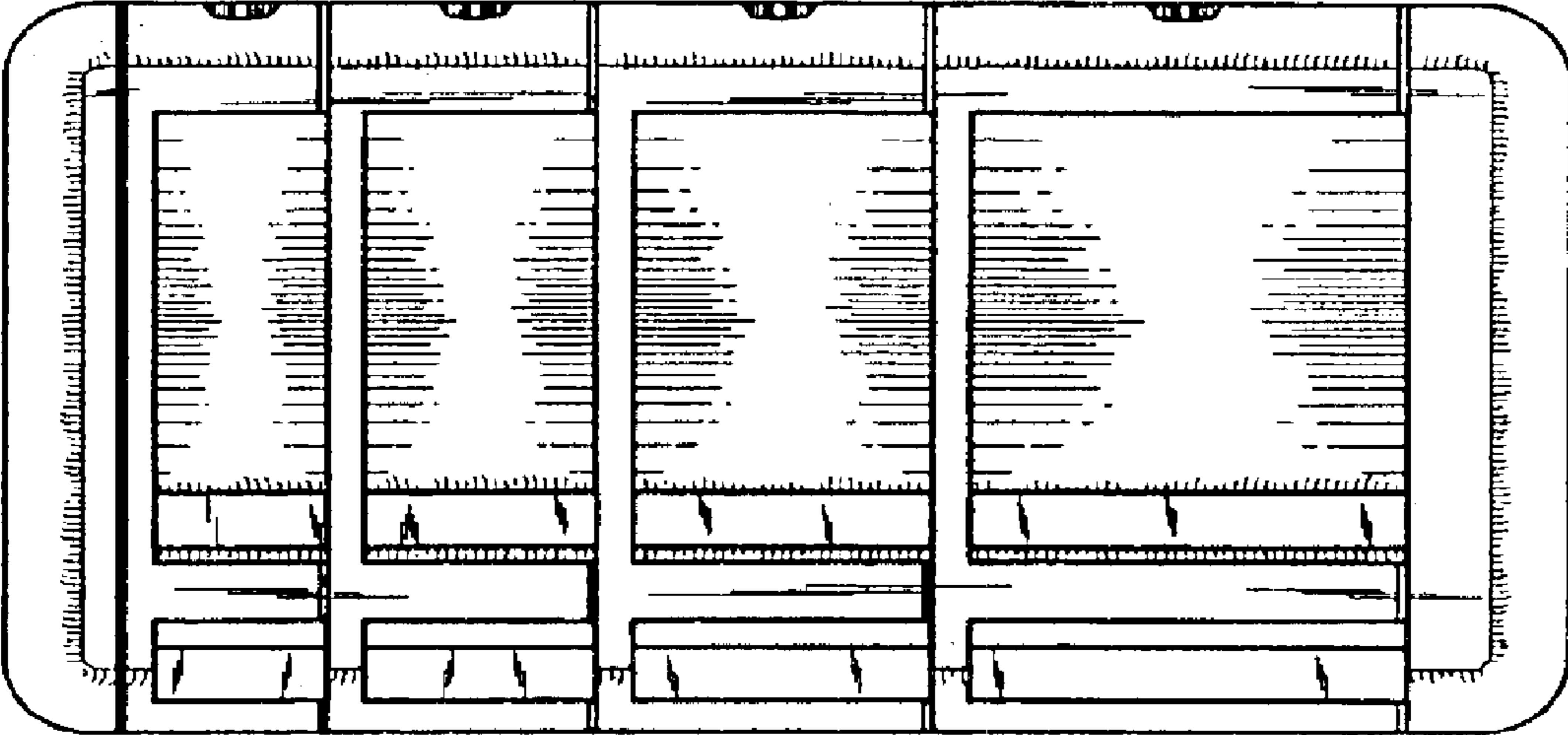


FIG. 6