



US00D501216S

(12) **United States Design Patent**
Shimizu

(10) **Patent No.:** **US D501,216 S**
(45) **Date of Patent:** **** Jan. 25, 2005**

(54) **VIDEO CAMERA**

(75) Inventor: **Minoru Shimizu**, Tokyo (JP)

(73) Assignee: **Sony Corporation**, Tokyo (JP)

(**) Term: **14 Years**

(21) Appl. No.: **29/186,659**

(22) Filed: **Jul. 22, 2003**

(51) **LOC (7) Cl.** **16-01**

(52) **U.S. Cl.** **D16/202**

(58) **Field of Search** D16/200–206,
D16/208, 218; 348/373–376; 358/906, 909.1;
396/535–541

Web page “IXY–DVM” <http://www8.yodobashi.com/enjoy/i.jsp?oid=4213827>, 1 sheet, Yodobashi Camera (Feb. 2003).

Web page “GR–DX95K/DX35K” <http://www.victor.co.jp/dvmain/gr-dx95k/index.html>, 1 sheet, Victor (Feb. 2003).

Web page “GR–DX95 3D” http://www.victor.co.jp/dvmain/gr-dx95k/3d_catalog.html, 1 sheet, Victor (Feb. 2003).

* cited by examiner

Primary Examiner—Adir Aronovich

(74) *Attorney, Agent, or Firm*—Rader, Fishman & Grauer PLLC

(57) **CLAIM**

The ornamental design for a video camera, as shown.

(56) **References Cited**

U.S. PATENT DOCUMENTS

D407,097 S	*	3/1999	Suzuki et al.	D16/202
D426,843 S	*	6/2000	Tanaka	D16/202
D431,582 S	*	10/2000	Sumita et al.	D16/202
D435,575 S		12/2000	Kanatani		
D446,800 S	*	8/2001	Fukushima et al.	D16/202
D463,469 S		9/2002	Kawase		
D488,495 S	*	4/2004	Shimizu	D16/202

OTHER PUBLICATIONS

Web page “SonyDrive DCR–PC120” <http://www.sony.jp/products/Models/library/DCR-PC120.html>, 1 sheet, Sony (Feb. 2003).

DESCRIPTION

FIG. 1 is a front right top perspective view of a video camera showing my new design;

FIG. 2 is a front elevational view thereof;

FIG. 3 is a rear elevational view thereof;

FIG. 4 is a left side elevational view thereof;

FIG. 5 is a right side elevational view thereof;

FIG. 6 is a top plan view thereof; and,

FIG. 7 is a bottom plan view thereof.

1 Claim, 4 Drawing Sheets

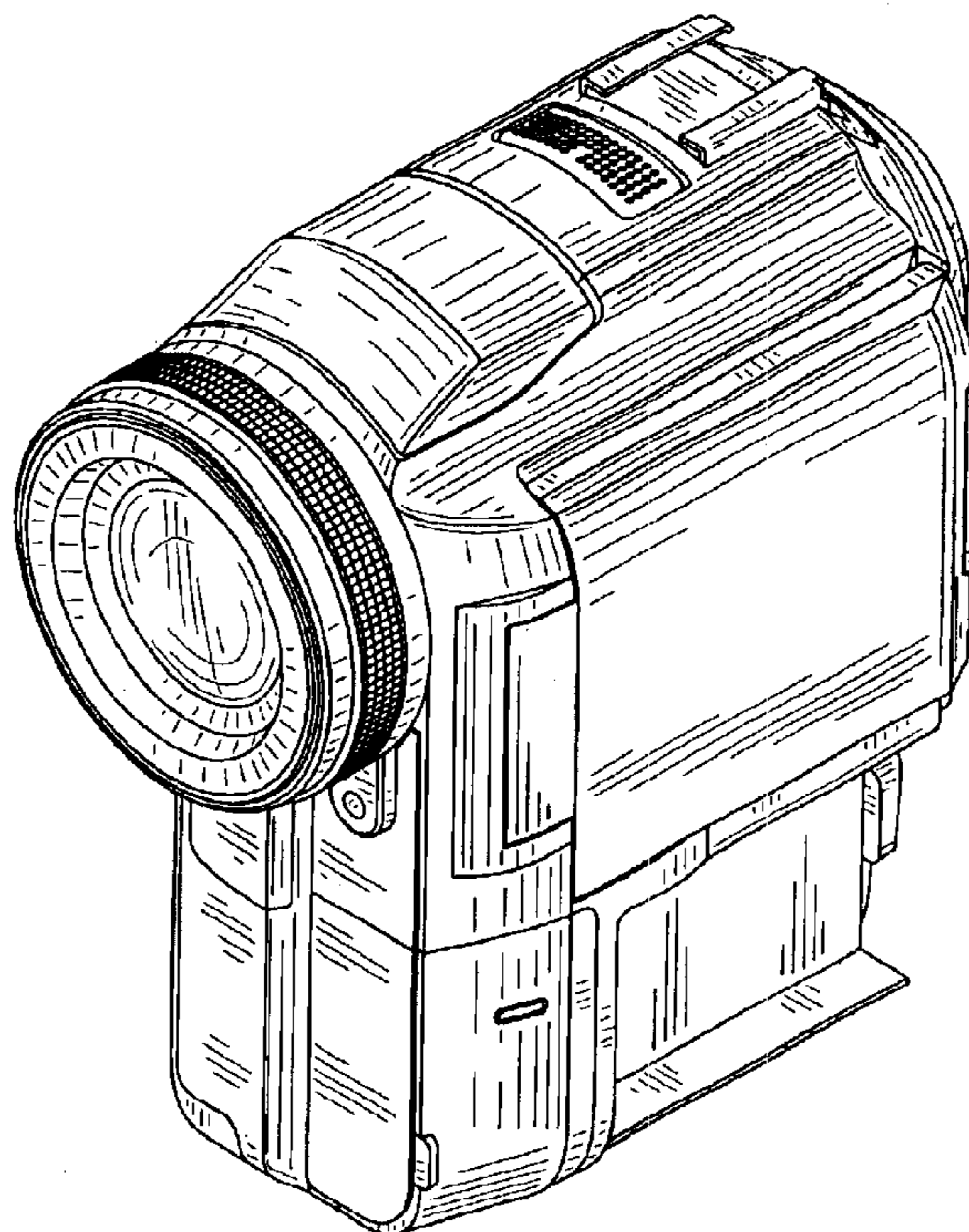


FIG. 1

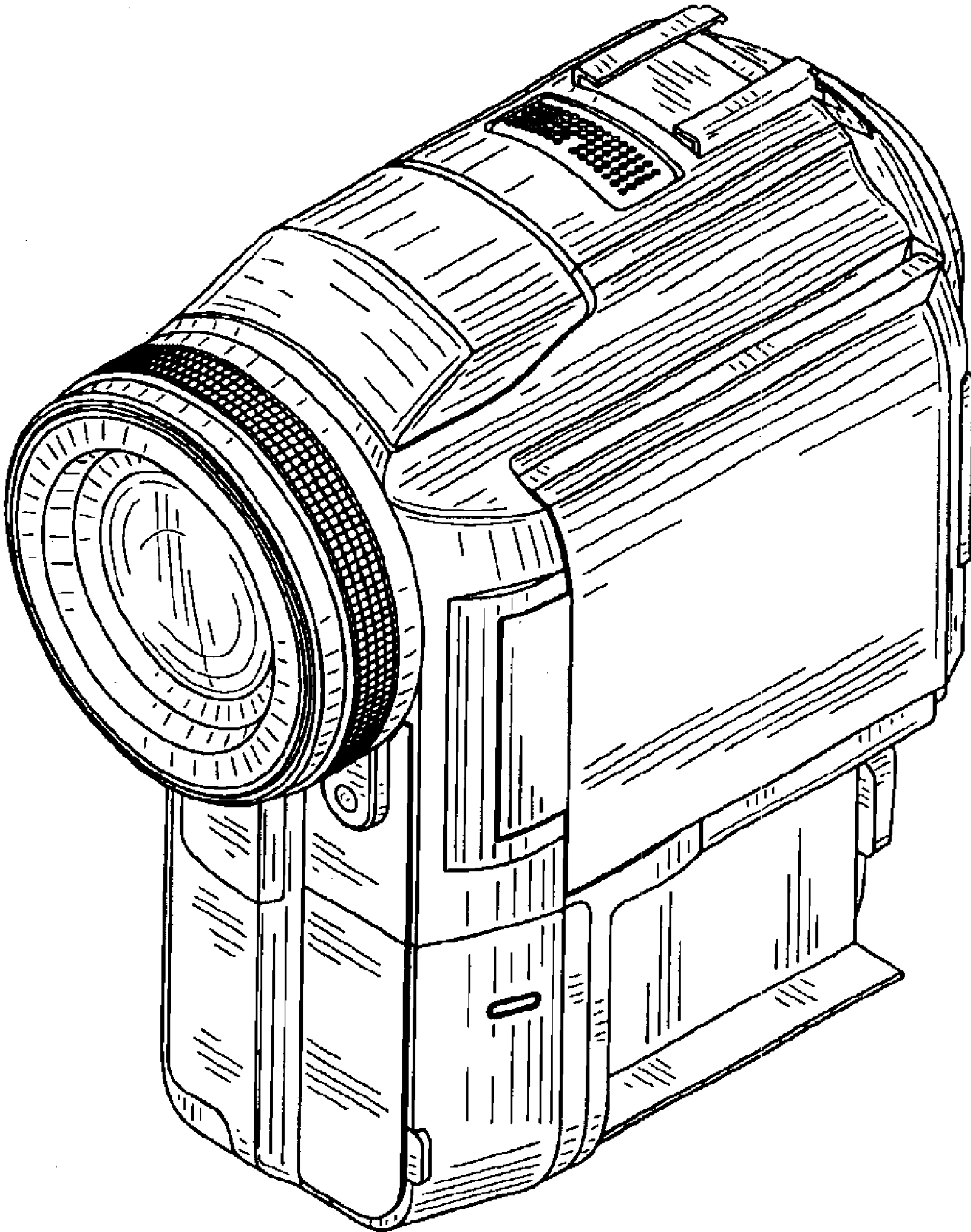


FIG.3

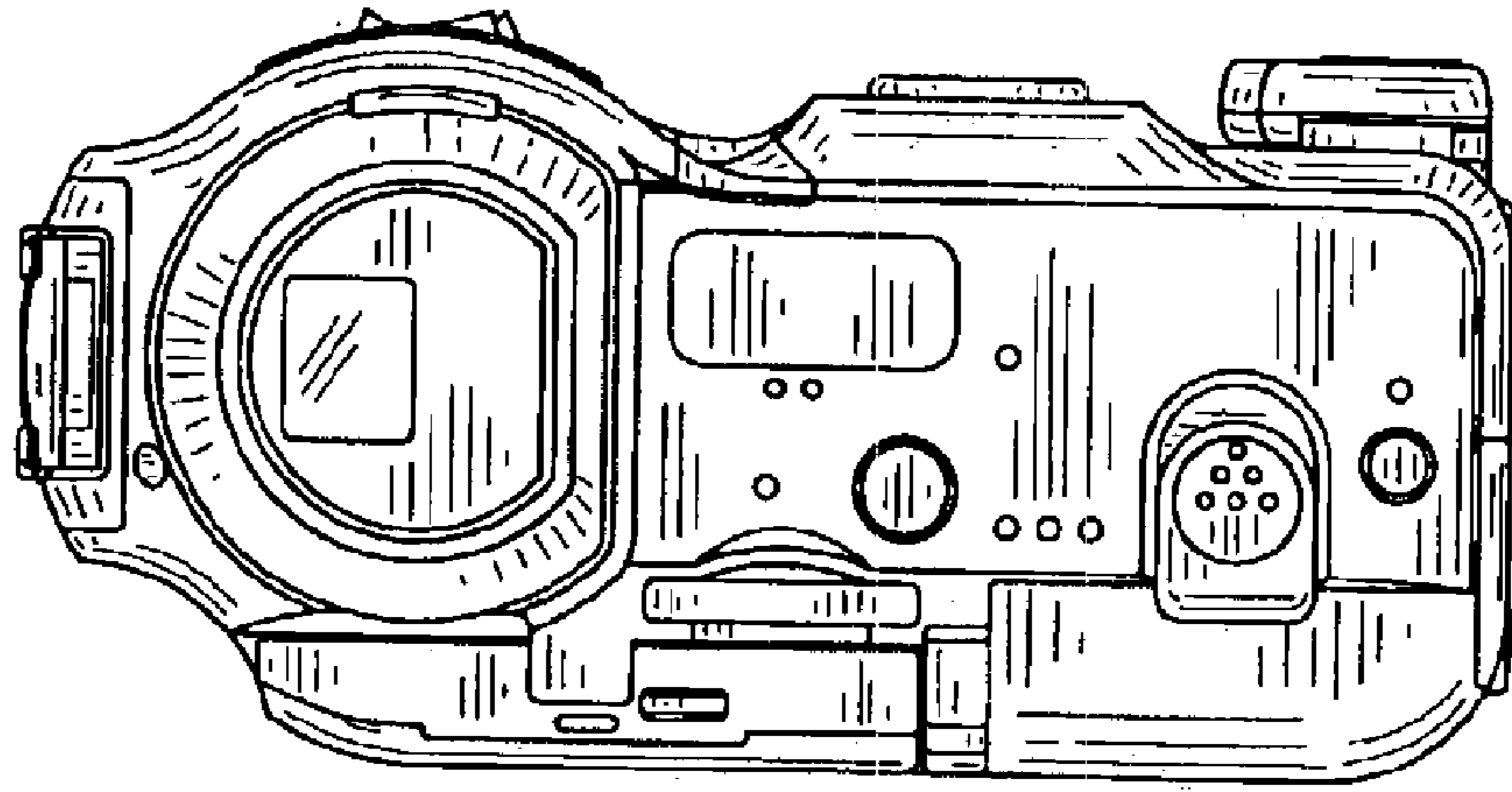


FIG.2

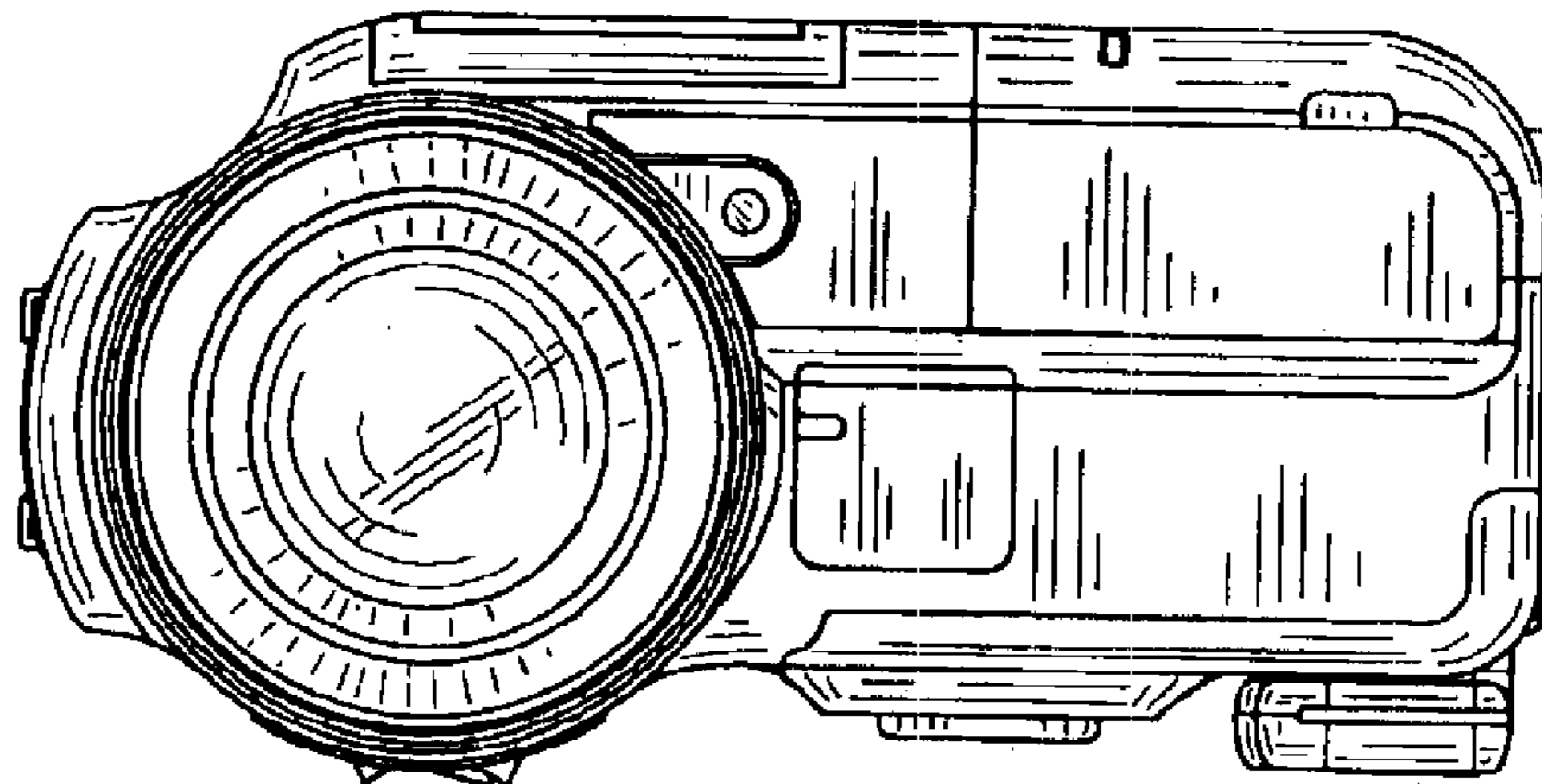


FIG.5

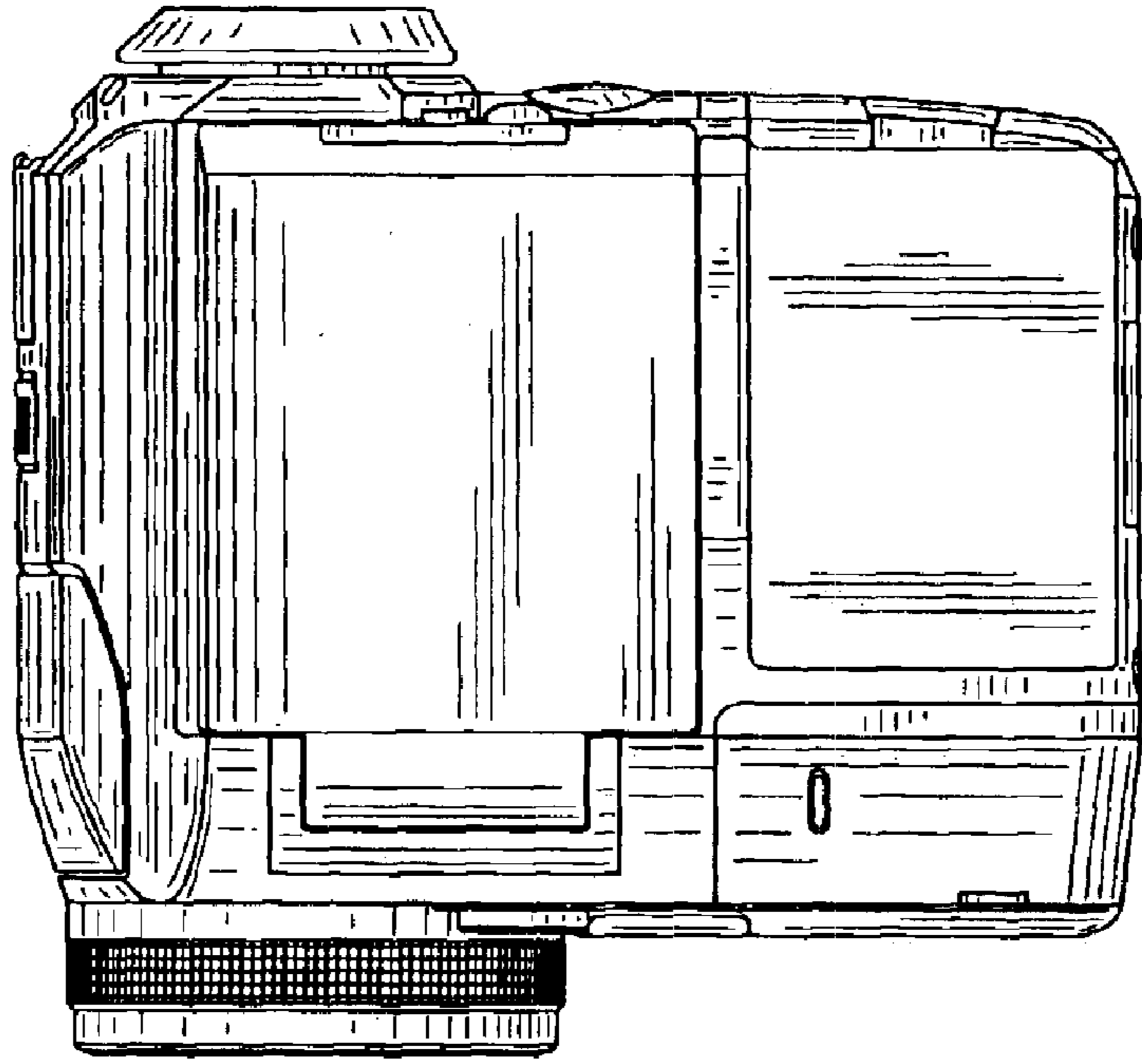


FIG.4

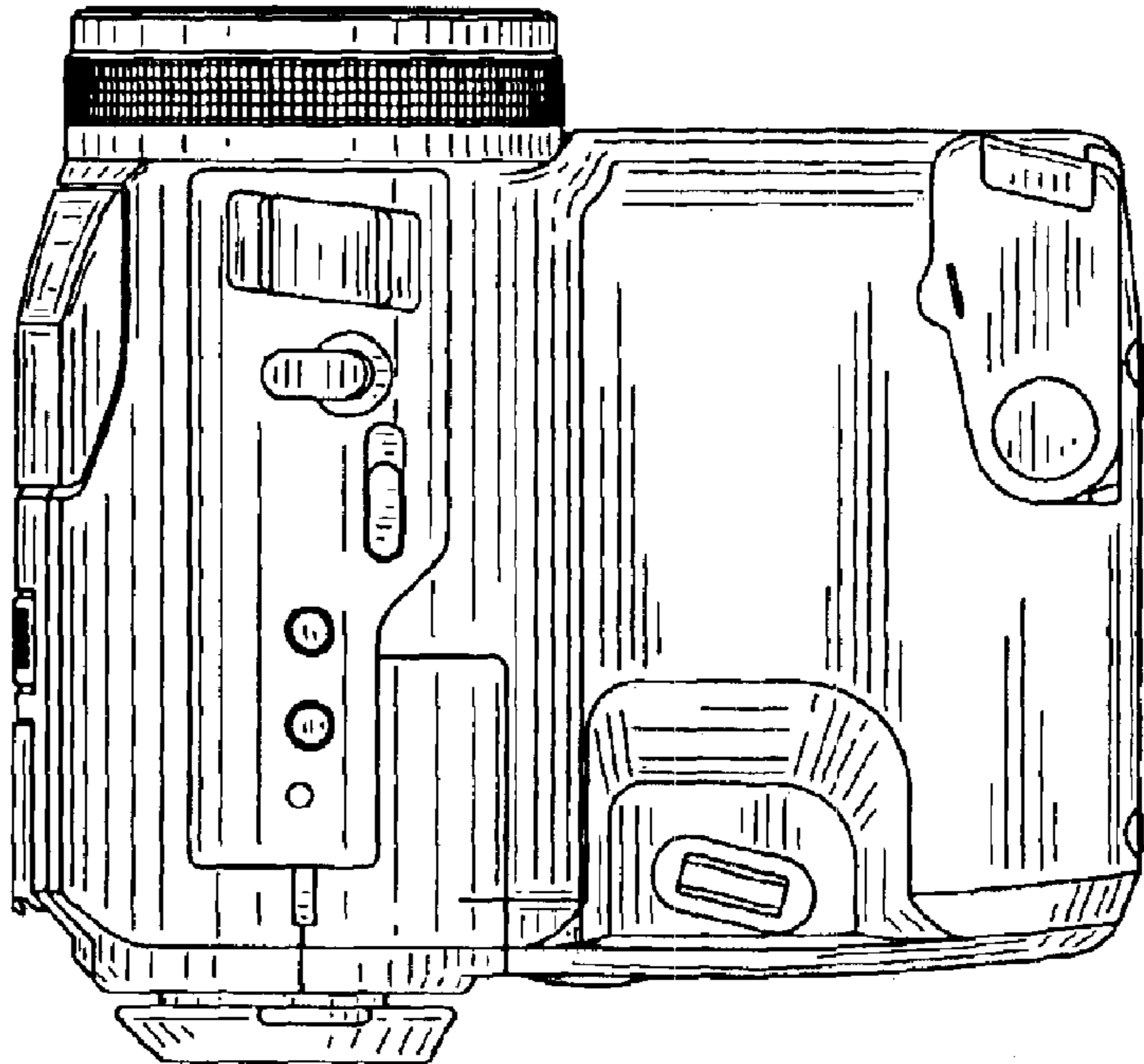


FIG. 7

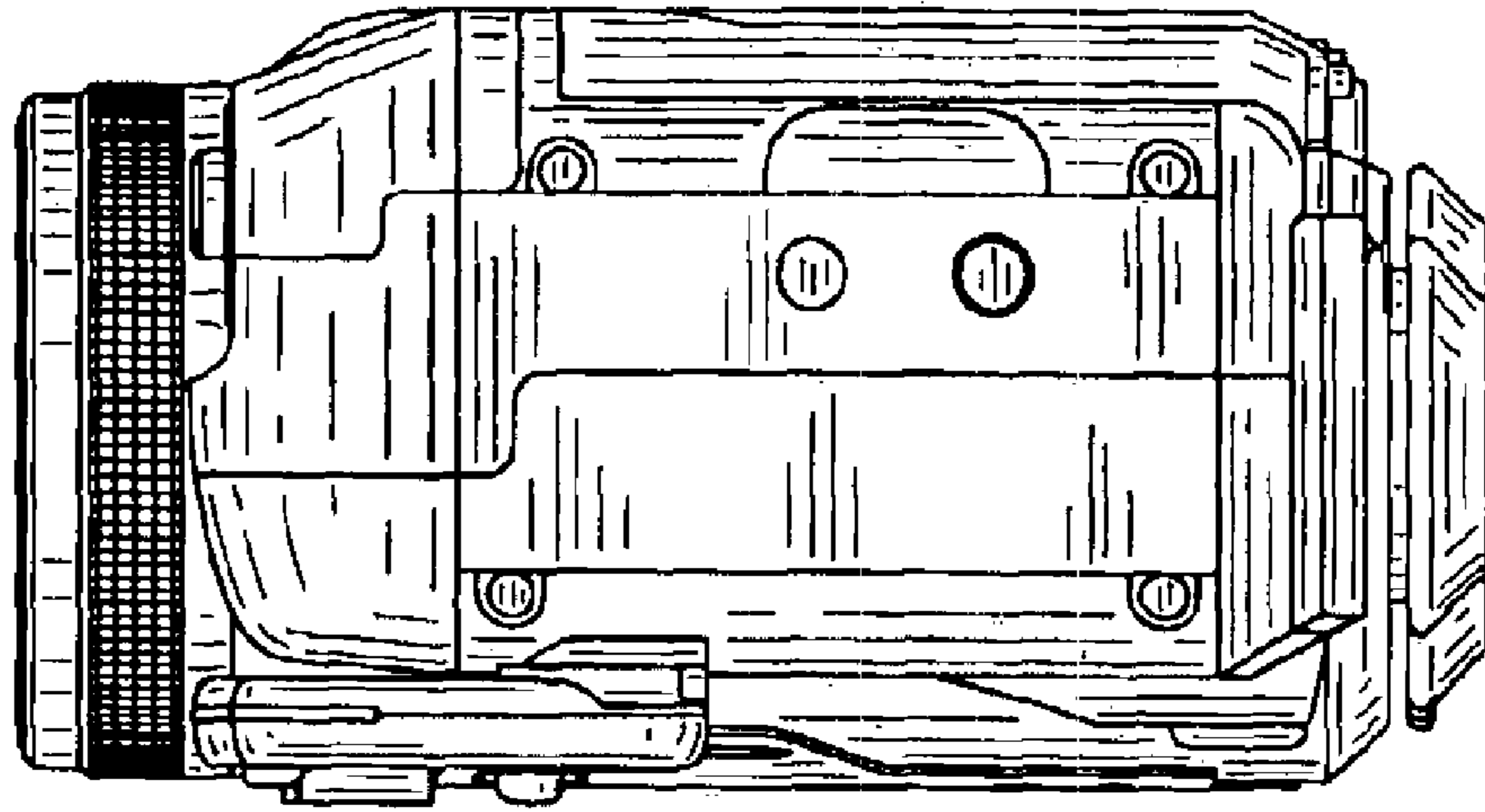


FIG. 6

