

US00D501210S

(12) **United States Design Patent**
Cook

(10) **Patent No.:** **US D501,210 S**
(45) **Date of Patent:** **** Jan. 25, 2005**

- (54) **DISPLAY SCREEN FOR AN OBJECT DETECTOR**
- (75) Inventor: **Vincent Cook**, Milford, CT (US)
- (73) Assignee: **The Stanley Works**, New Britain, CT (US)
- (**) Term: **14 Years**
- (21) Appl. No.: **29/193,508**
- (22) Filed: **Nov. 12, 2003**
- (51) **LOC (7) Cl.** **14-02**
- (52) **U.S. Cl.** **D14/486**
- (58) **Field of Search** D14/485-95, 24-33;
D18/24-33; D19/6; D20/11; D21/324-33;
345/700-26, 764-866, 157, 162, 619; 356/399;
33/298

- D435,257 S * 12/2000 Woods D14/485
- D464,360 S * 10/2002 Grundel et al. D14/485
- D478,912 S * 8/2003 Johnson D14/485
- D482,040 S * 11/2003 Itai et al. D14/489
- 2004/0066390 A1 * 4/2004 Chin et al. 345/619

* cited by examiner

Primary Examiner—M. H. Tung
(74) *Attorney, Agent, or Firm*—Pillsbury Winthrop LLP

(57) **CLAIM**

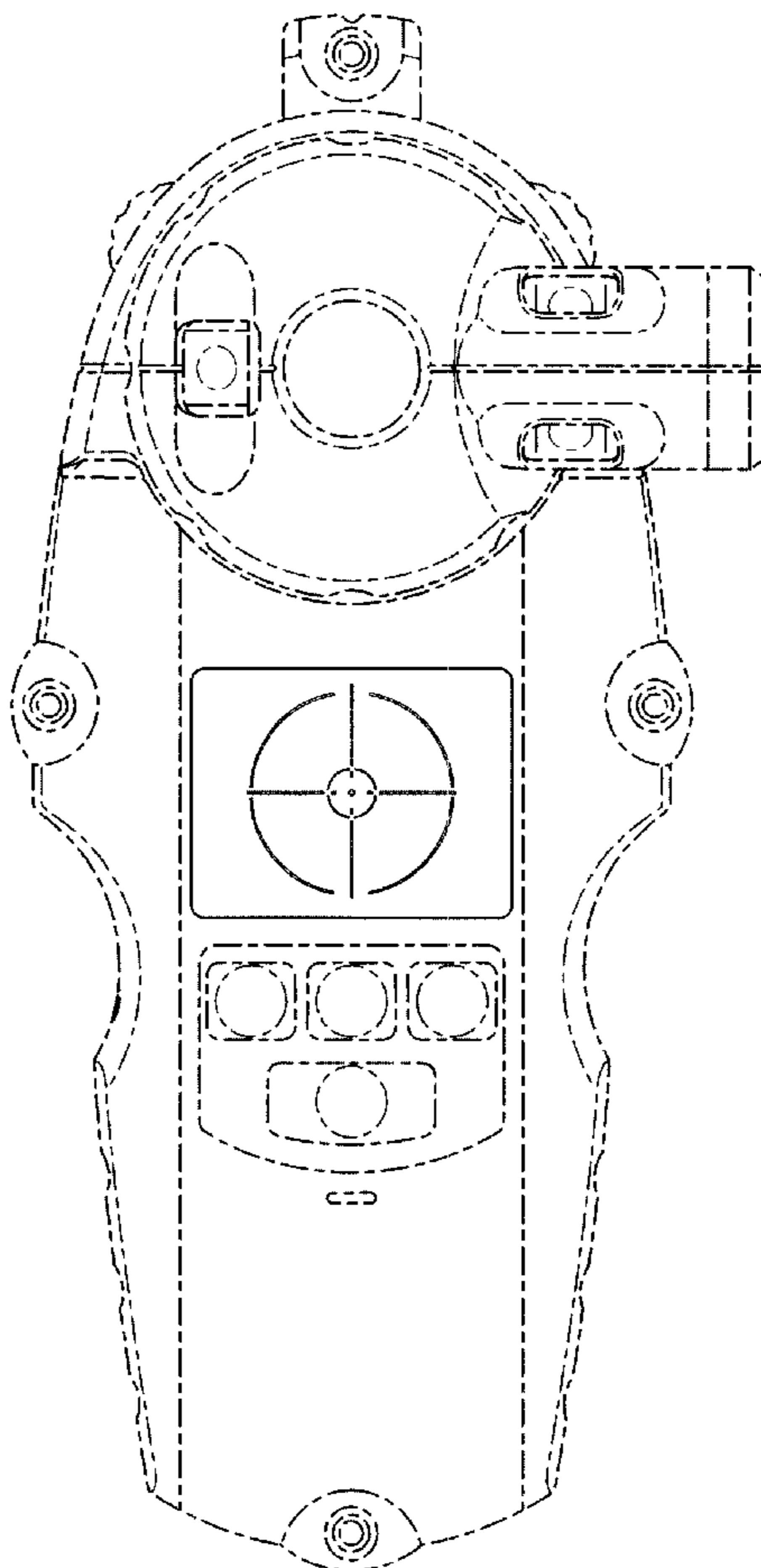
The ornamental design for an display screen for an object detector, as shown and described.

DESCRIPTION

FIG. 1 is a front view of a display screen for an object detector according to the design;
FIG. 2 is a front view of a second embodiment thereof;
FIG. 3 is a front view of a third embodiment thereof; and,
FIG. 4 is a front view of a fourth embodiment thereof.
The broken line drawing of the object detector in all views is for illustrative purposes only and forms no part of the claimed design.

- (56) **References Cited**
U.S. PATENT DOCUMENTS
- 5,511,318 A * 4/1996 Logan 33/298
- D396,455 S * 7/1998 Bier D14/489
- D403,673 S * 1/1999 Arora et al. D14/489

1 Claim, 4 Drawing Sheets



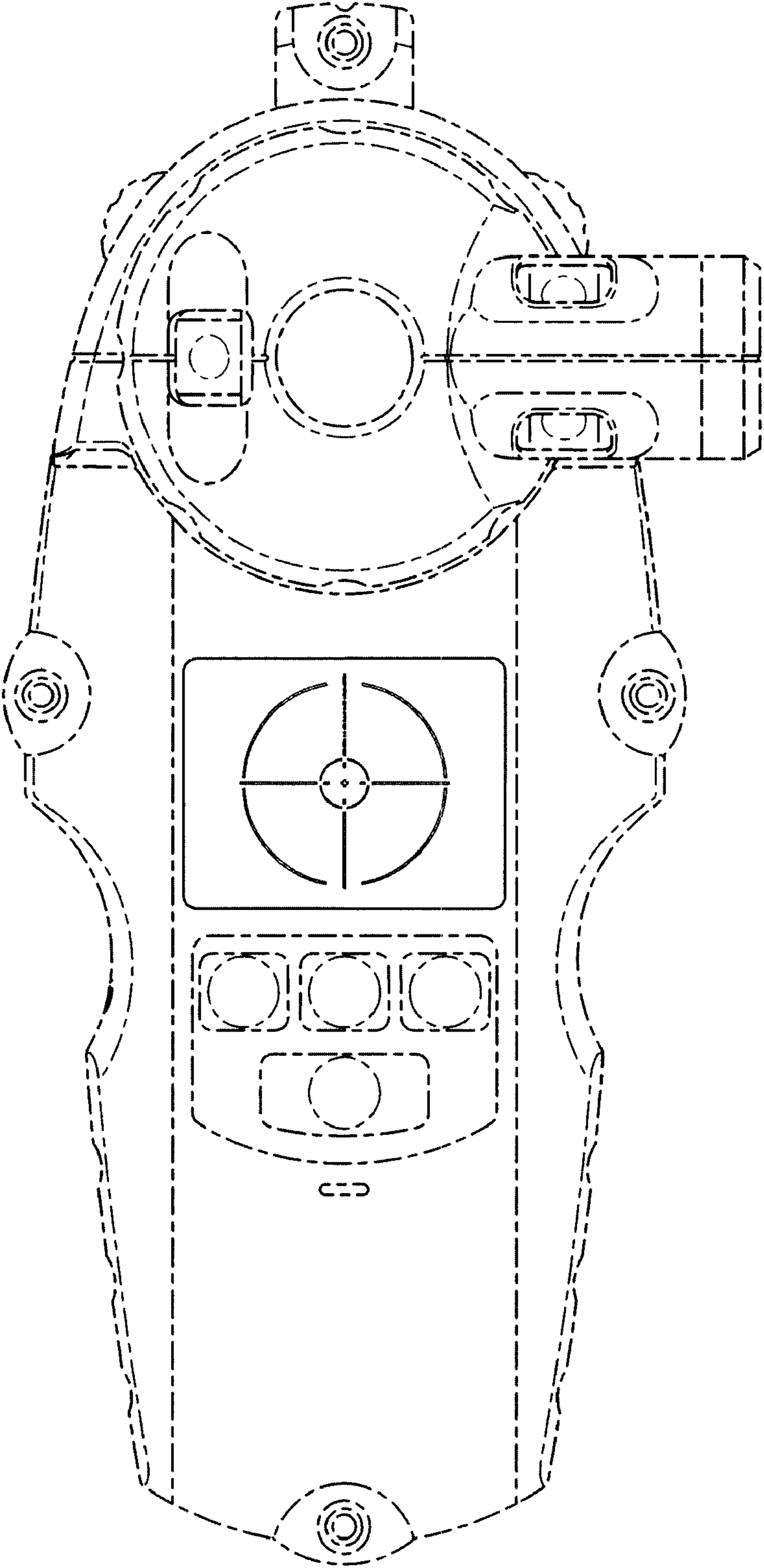


FIG. 1

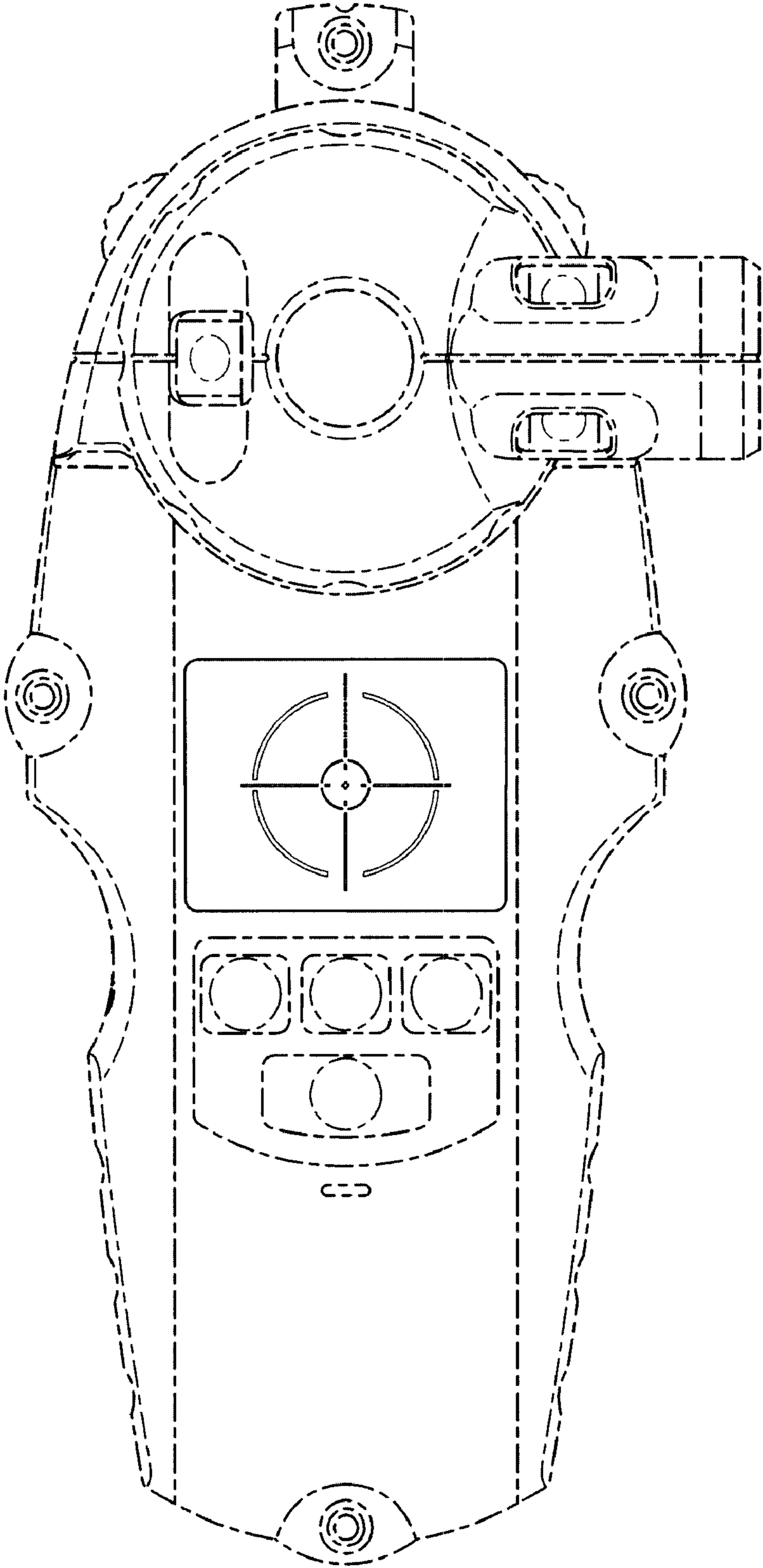


FIG. 2

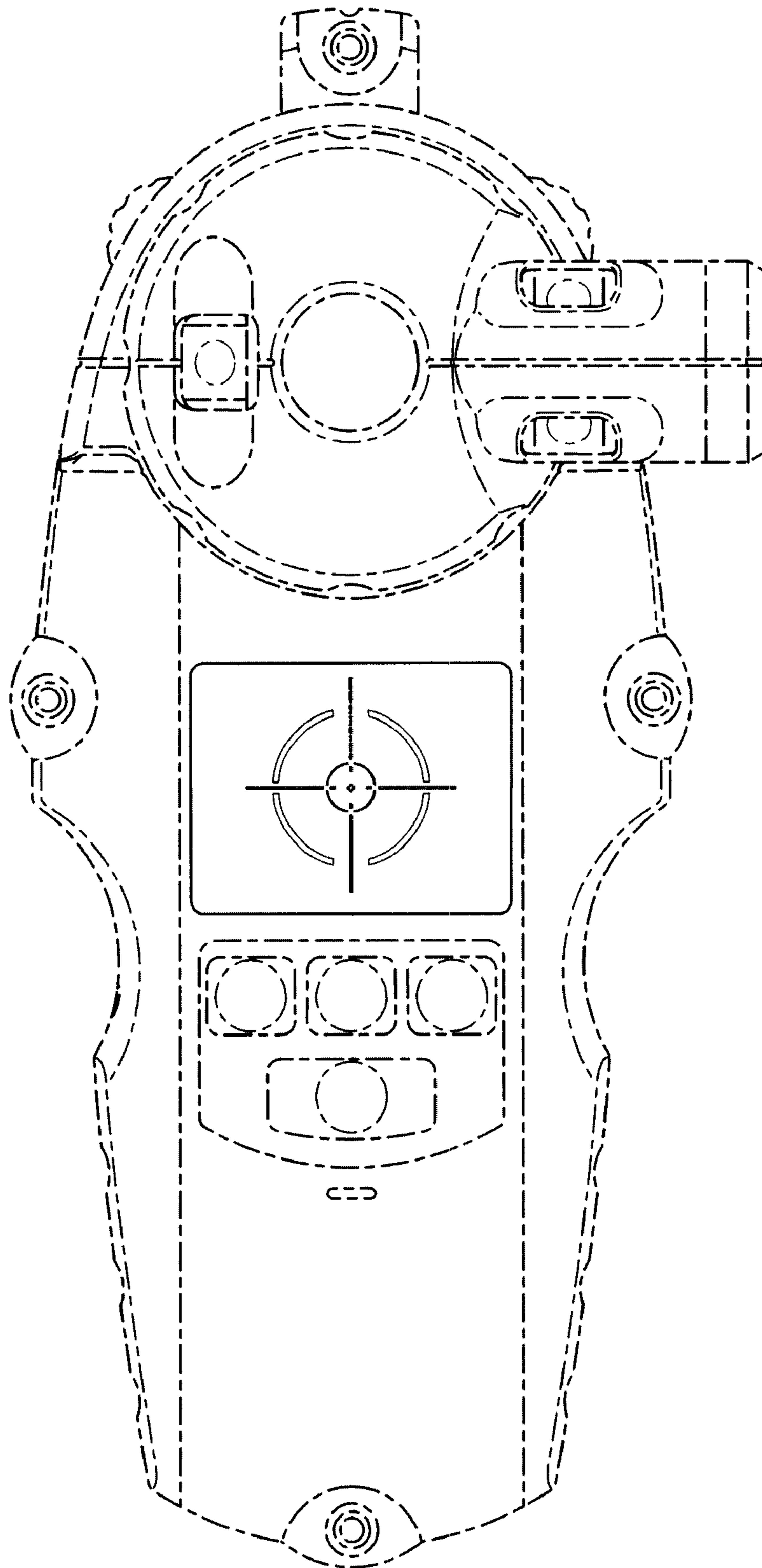


FIG. 3

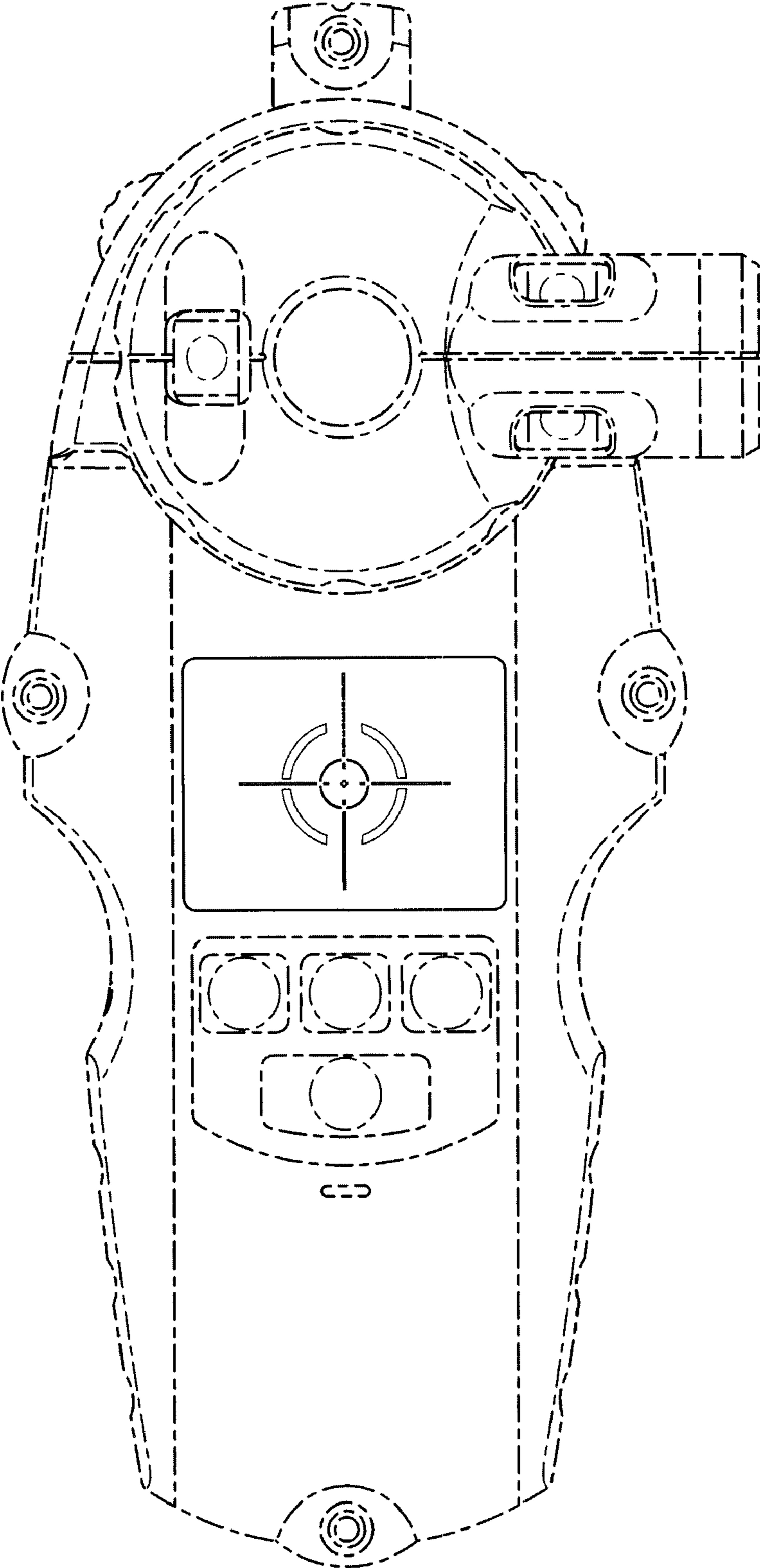


FIG. 4