

US00D501209S

(12) **United States Design Patent**
Goto

(10) **Patent No.:** **US D501,209 S**
(45) **Date of Patent:** **** Jan. 25, 2005**

(54) **DISK CARTRIDGE**

(75) **Inventor:** **Teiyu Goto, Tokyo (JP)**

(73) **Assignee:** **Sony Computer Entertainment Inc., Tokyo (JP)**

(**) **Term:** **14 Years**

(21) **Appl. No.:** **29/193,460**

(22) **Filed:** **Nov. 12, 2003**

(30) **Foreign Application Priority Data**

May 12, 2003 (JP) 2003-16986

(51) **LOC (7) Cl.** **14-02**

(52) **U.S. Cl.** **D14/478**

(58) **Field of Search** D14/432-3, 435-6,
D14/474, 478-80; 360/60, 129, 131-3,
135, 97.01-99.12; 206/307-8, 312, 472;
369/272-3, 291, 77.2

(56) **References Cited**

U.S. PATENT DOCUMENTS

- 4,743,993 A * 5/1988 Ommori et al. 360/133
- 4,851,947 A * 7/1989 Kato 360/133
- 5,115,366 A * 5/1992 Oishi 360/133
- D405,438 S * 2/1999 Nowell et al. D14/478
- D406,831 S 3/1999 Takahashi et al.
- D408,808 S * 4/1999 Nowell et al. D14/478
- D412,165 S 7/1999 Niitsu
- D430,575 S * 9/2000 Sumner et al. D14/478
- D451,099 S * 11/2001 Lee D14/435
- D464,974 S * 10/2002 Abeyta et al. D14/478
- D473,874 S * 4/2003 Taniguchi et al. D14/435
- D474,184 S * 5/2003 Taniguchi et al. D14/435

- D474,777 S 5/2003 Niitsu
- D475,059 S * 5/2003 Niitsu D14/478
- 2002/0012316 A1 * 1/2002 Inoue et al. 369/291

FOREIGN PATENT DOCUMENTS

JP D915629 S 12/1994

OTHER PUBLICATIONS

Webpage, "BD-RE120N," <http://www.tdk.co.jp/tjaah01/aah39900.htm>, 4sheets, TDK (Feb. 20, 2004).

Webpage, "BDZ-S77," http://www.biccamera.com/bicbic/jsp/w/visual/sony/bdz_s77/index.jsp, 4sheets, Biccamera (Feb. 20, 2004).

* cited by examiner

Primary Examiner—M. H. Tung

(74) *Attorney, Agent, or Firm*—Rader, Fishman & Grauer PLLC

(57) **CLAIM**

The ornamental design for a disk cartridge, as shown and described.

DESCRIPTION

FIG. 1 is a front elevational view of disk cartridge showing my new design;

FIG. 2 is a rear elevational view thereof;

FIG. 3 is a left side elevational view thereof;

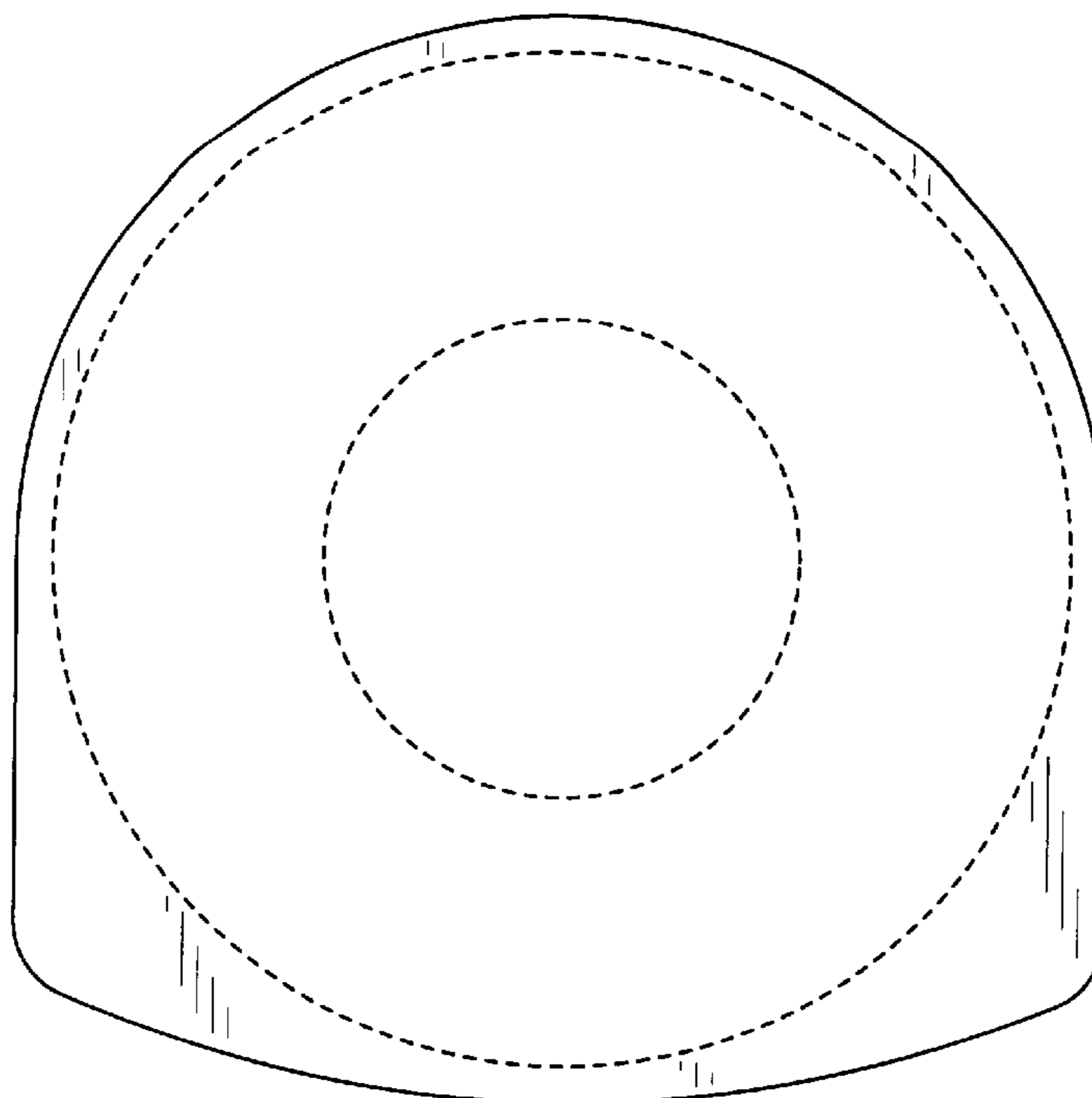
FIG. 4 is a right side elevational view thereof;

FIG. 5 is a top plan view thereof; and,

FIG. 6 is a bottom plan view thereof.

The broken line drawing of features on the disk cartridge shown in all views is for illustrative purposes only and forms no part of the claimed design.

1 Claim, 3 Drawing Sheets



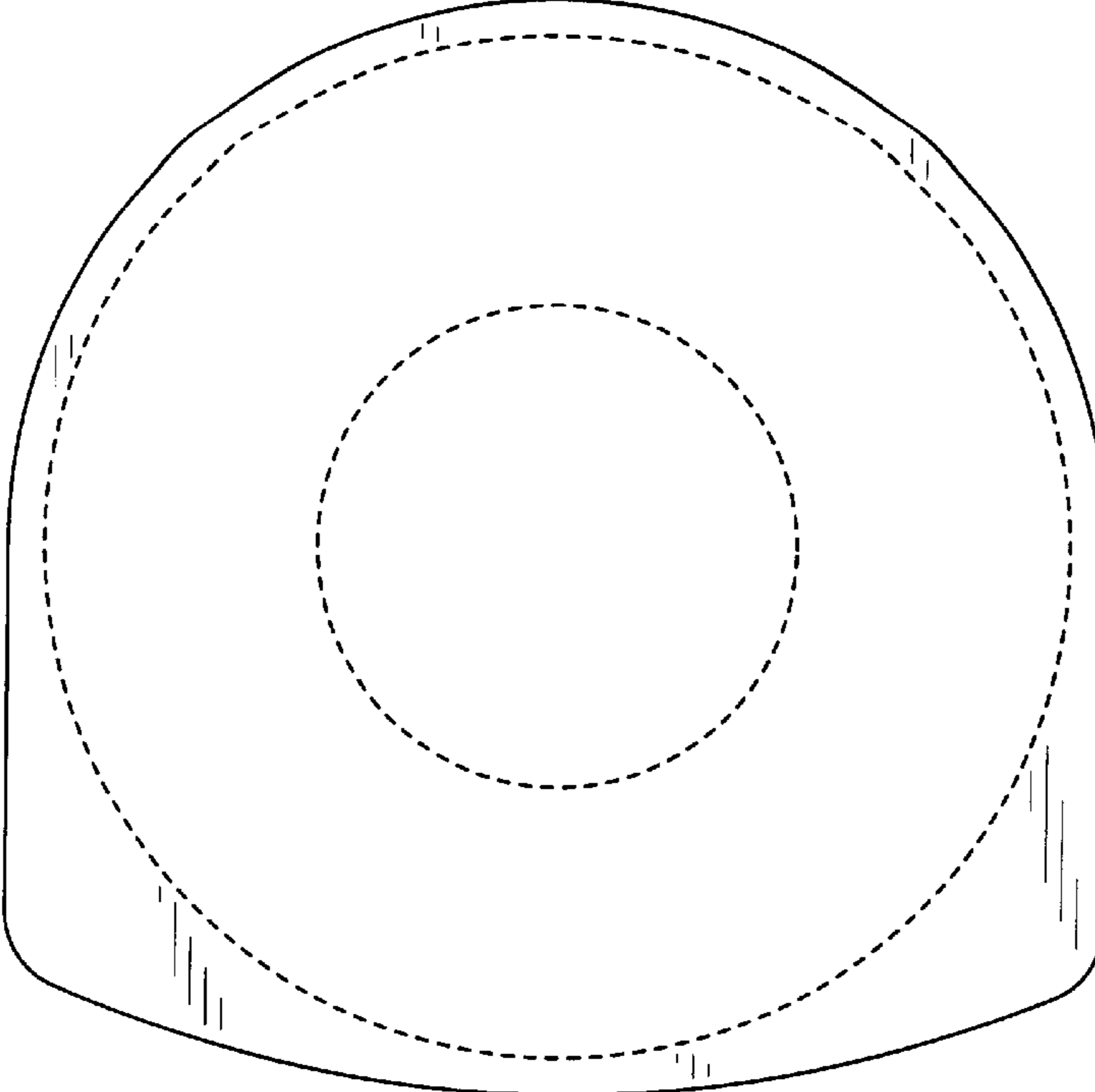


FIG. 1

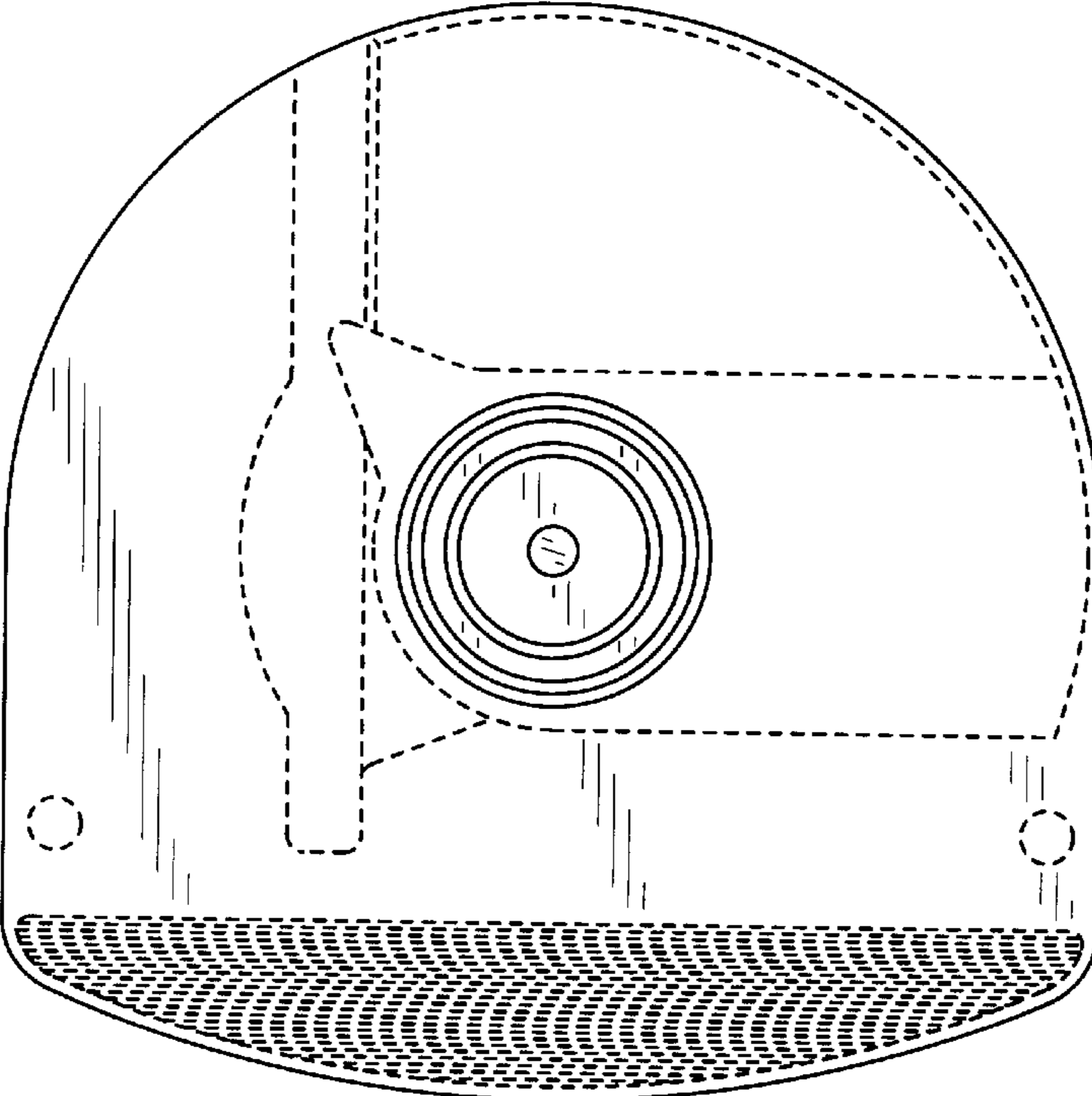


FIG. 2



FIG. 3



FIG. 4

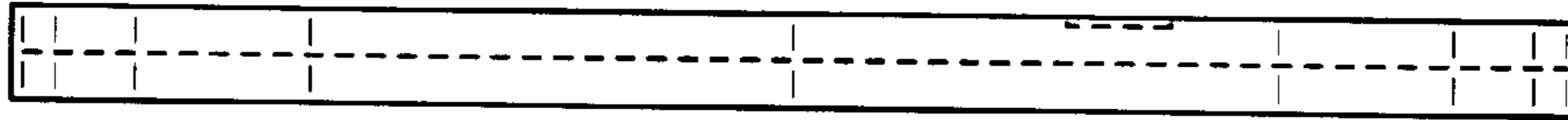


FIG. 5

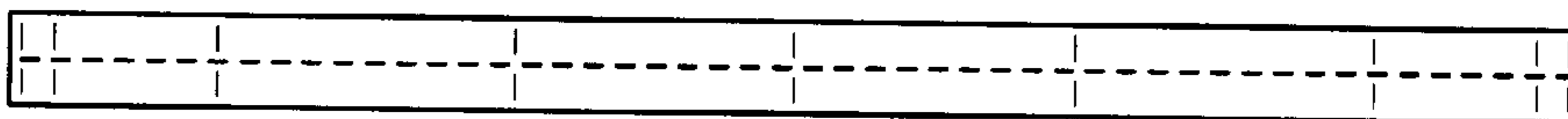


FIG. 6