

US00D501206S

(12) **United States Design Patent**  
**Ueno et al.**

(10) **Patent No.:** **US D501,206 S**  
(45) **Date of Patent:** **\*\* Jan. 25, 2005**

(54) **MAGNETIC HEAD SLIDER**

(75) Inventors: **Yoshihiro Ueno**, Osaka (JP); **Deng Zhi Sheng**, Osaka (JP)

(73) Assignee: **Matsushita Electric Industrial Co., Ltd.**, Kadoma (JP)

(\*\*) Term: **14 Years**

(21) Appl. No.: **29/178,541**

(22) Filed: **Mar. 25, 2003**

(30) **Foreign Application Priority Data**

Sep. 26, 2002 (JP) ..... 2002-026330

(51) **LOC (7) Cl.** ..... **14-99**

(52) **U.S. Cl.** ..... **D14/260**

(58) **Field of Search** ..... D14/156, 217,  
D14/239, 260, 260.1, 262, 264; 242/333.6,  
356; 360/244.6, 245, 245.1, 245.5, 245.9,  
264.4, 244.8, 265.7; 29/603.03, 603.04;  
369/13.17

(56) **References Cited**

**U.S. PATENT DOCUMENTS**

D346,160 S \* 4/1994 Nagase et al. .... D14/260  
5,381,288 A \* 1/1995 Karam, II ..... 360/245

5,809,634 A \* 9/1998 Inaba ..... 29/603.04  
5,936,802 A \* 8/1999 Koizumi et al. .... 360/245.9  
6,373,662 B1 \* 4/2002 Blaeser et al. .... 360/245.5

\* cited by examiner

*Primary Examiner*—Nanda Bondade

(74) *Attorney, Agent, or Firm*—Christensen O'Connor Johnson Kindness PLLC

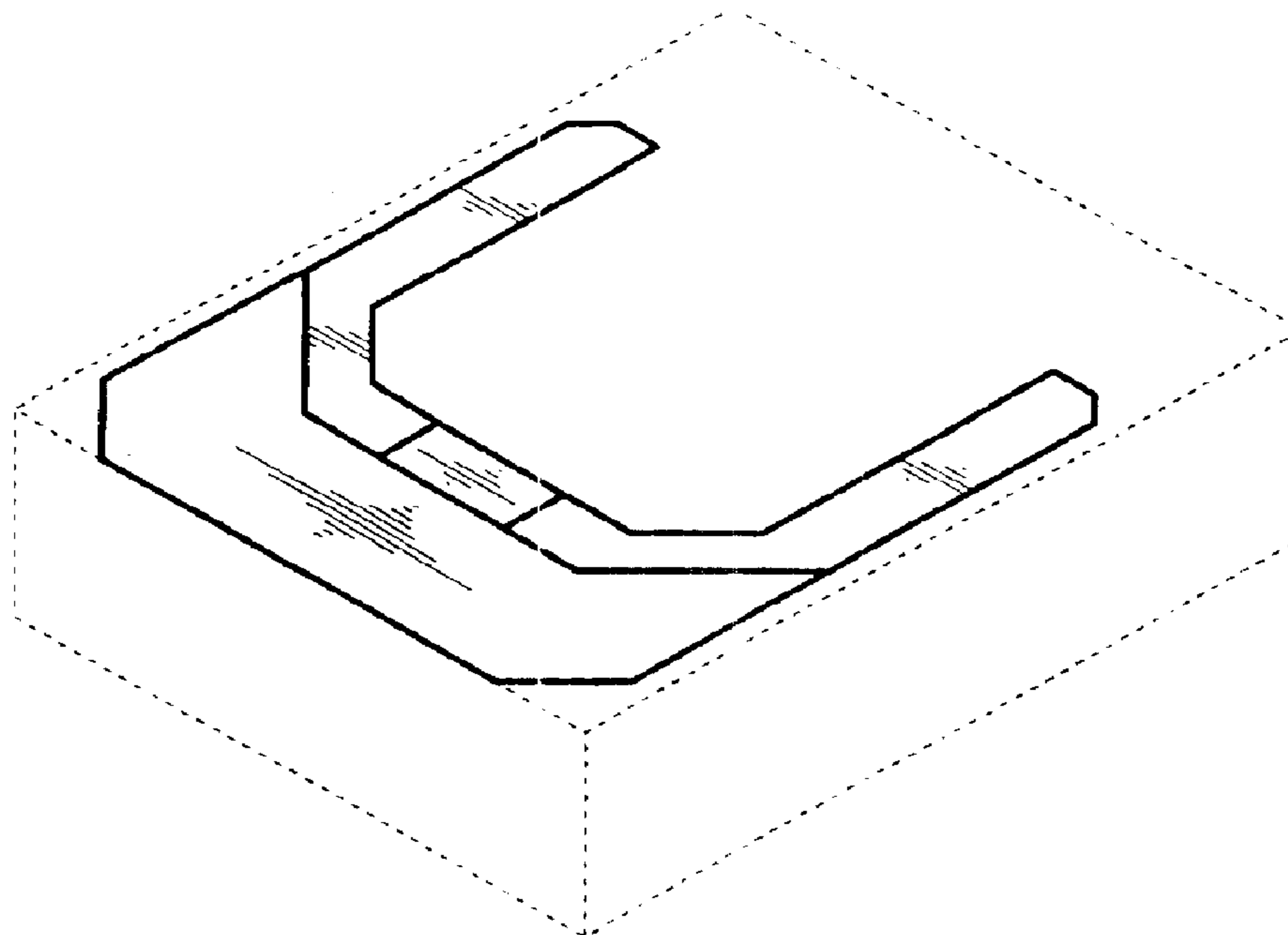
(57) **CLAIM**

The ornamental design for a magnetic head slider, as shown and described.

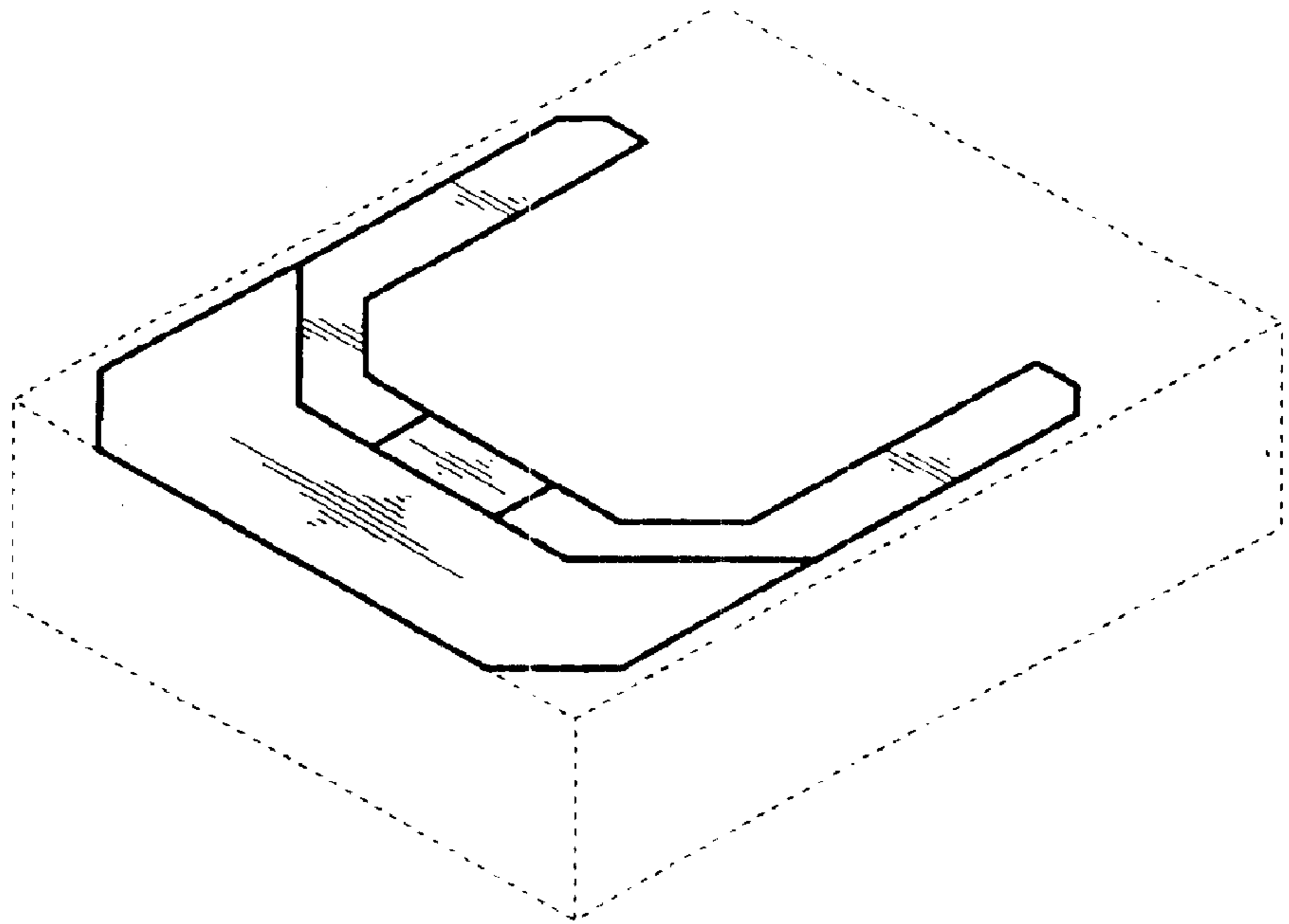
**DESCRIPTION**

FIG. 1 is a perspective view of the front, bottom and left side of a magnetic head slider showing our new design; FIG. 2 is a front view thereof; FIG. 3 is a rear view thereof; FIG. 4 is a left side view thereof; FIG. 5 is a right side view thereof; FIG. 6 is a top plan view thereof; FIG. 7 is a bottom view thereof; and, FIG. 8 is a perspective reference view of the usage. The portions of the article in broken lines are shown for illustrative purposes only and form no part of the claimed design.

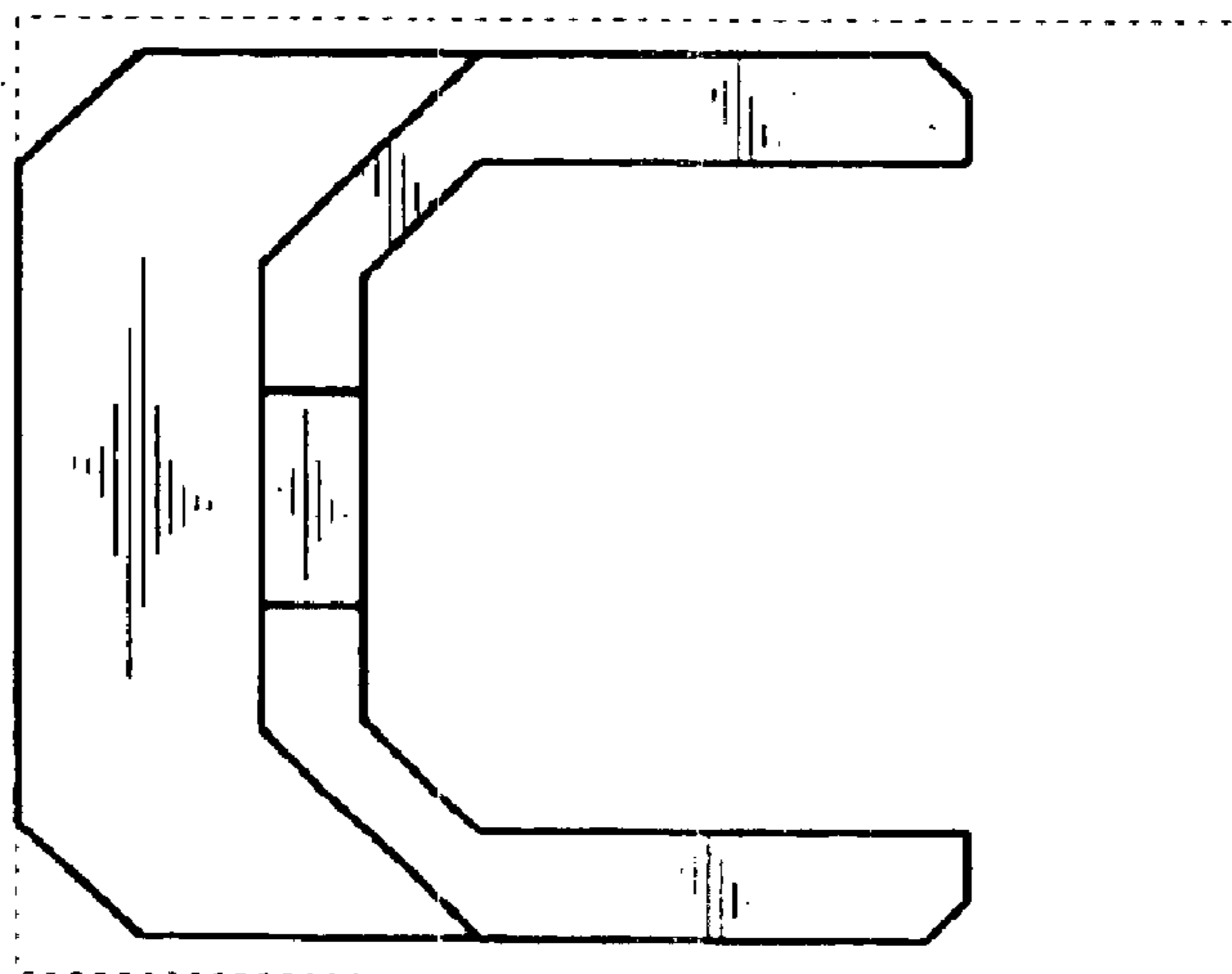
**1 Claim, 3 Drawing Sheets**



*FIG. 1*



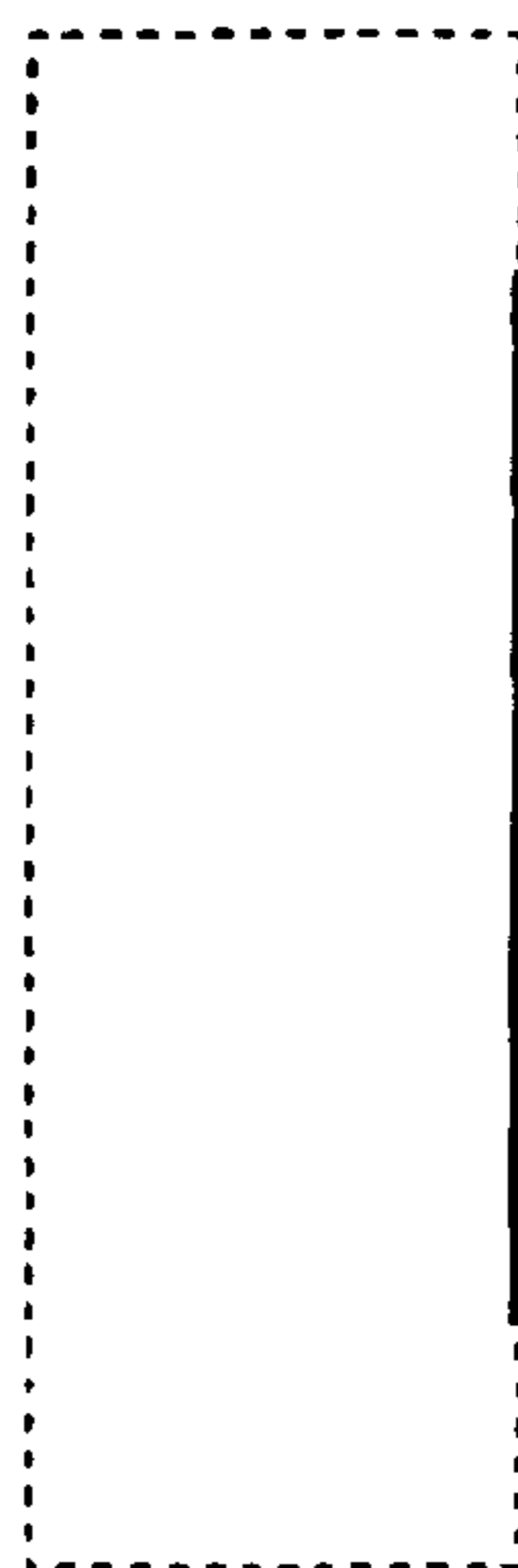
*FIG. 2*



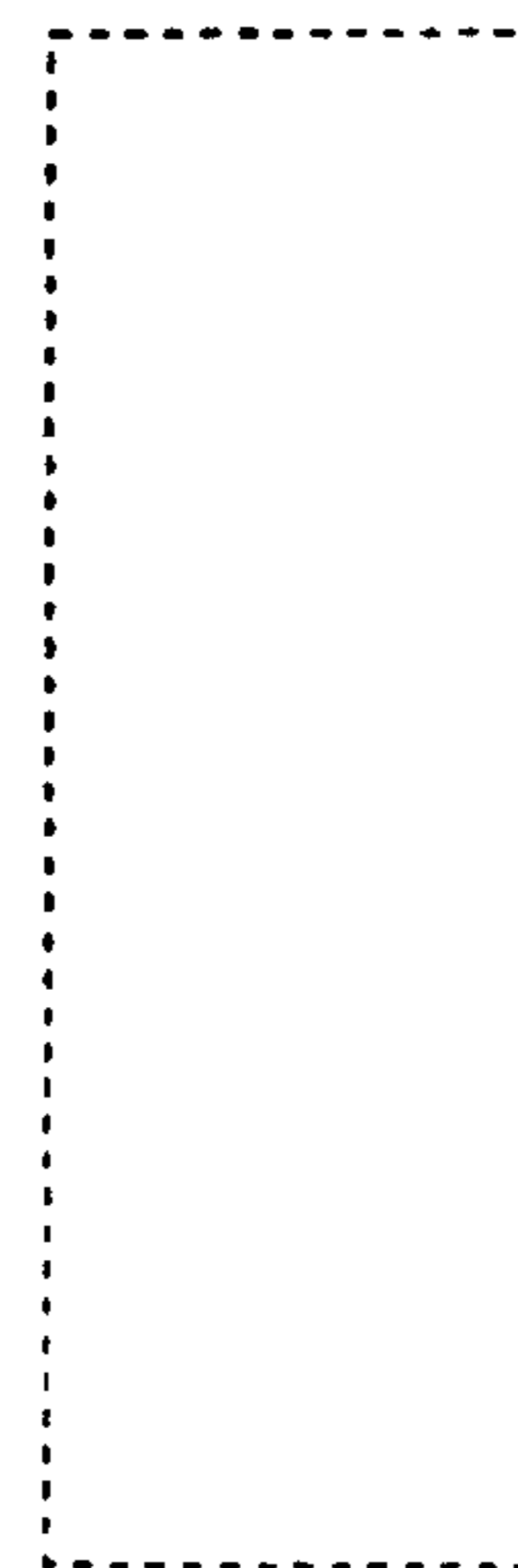
***FIG. 3***



***FIG. 4***



***FIG. 5***



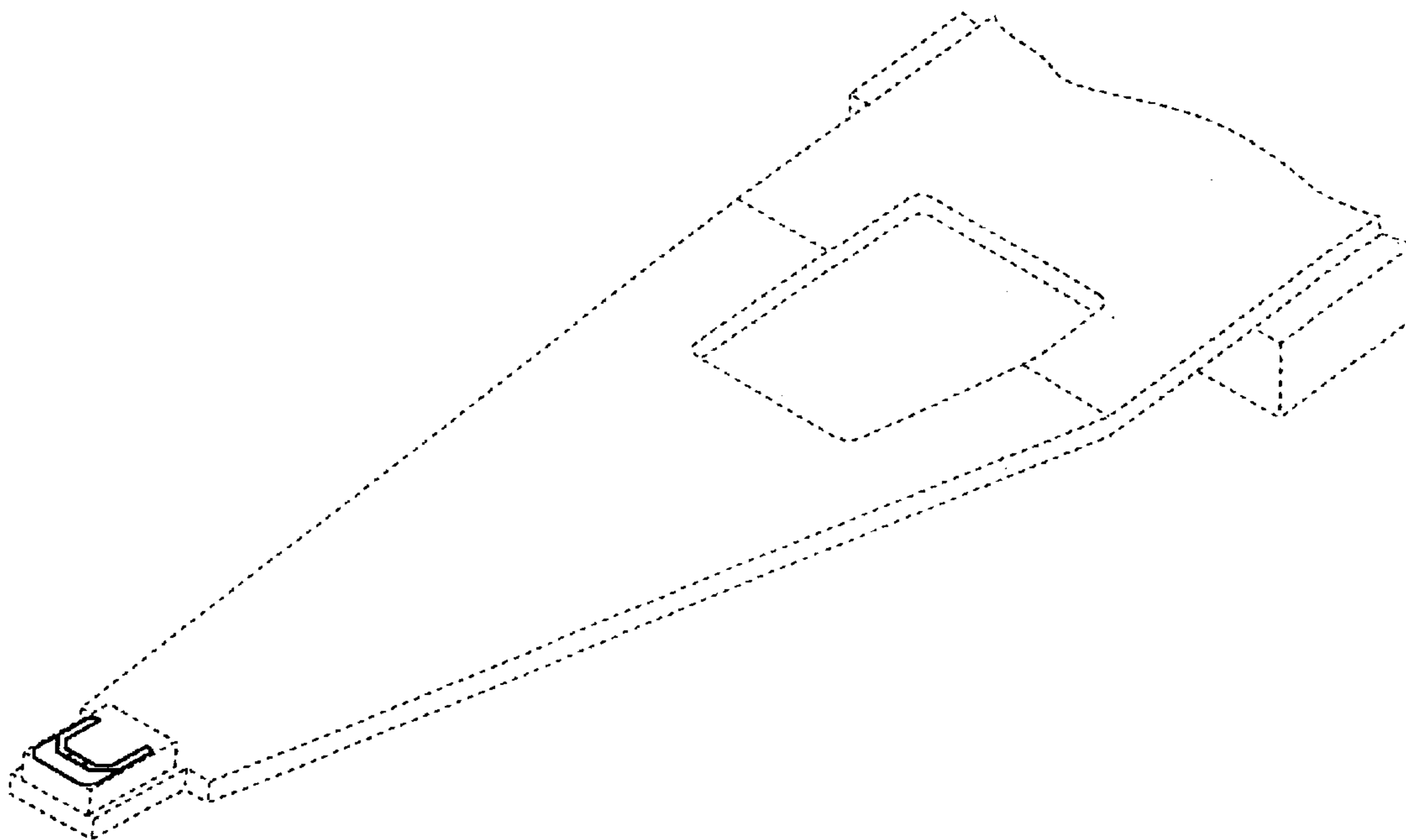
**FIG. 6**



**FIG. 7**



**FIG. 8**



UNITED STATES PATENT AND TRADEMARK OFFICE  
**CERTIFICATE OF CORRECTION**

PATENT NO. : Des. 501,206 S  
DATED : January 25, 2005  
INVENTOR(S) : Y. Ueno et al.

Page 1 of 1

It is certified that error appears in the above-identified patent and that said Letters Patent is hereby corrected as shown below:

Title page,

Item [56], **References Cited**, insert in appropriate order:

-- FOREIGN PATENT DOCUMENTS

JP 8/2002 1151462

JP 8/2002 1151004 --

Signed and Sealed this

Seventh Day of June, 2005

A handwritten signature in black ink on a light gray dotted background. The signature reads "Jon W. Dudas" in a cursive style.

JON W. DUDAS

*Director of the United States Patent and Trademark Office*