

US00D501202S

(12) **United States Design Patent**
Lodato et al.

(10) **Patent No.: US D501,202 S**
(45) **Date of Patent: ** Jan. 25, 2005**

(54) **VEHICLE KIT FOR A COMMUNICATION DEVICE**

(75) Inventors: **Franco Lodato**, Weston, FL (US);
Orlando Hernandez, Sunrise, FL (US);
Todd W. Roshitsh, Coral Springs, FL (US);
Charles S. Baxter, Atlanta, GA (US);
John M. Coogan, Coral Springs, FL (US);
Helge Fedderke, Neuss (DE);
Howard Nuk, Sunnyvale, CA (US)

(73) Assignee: **Motorola, Inc.**, Schaumburg, IL (US)

(**) Term: **14 Years**

(21) Appl. No.: **29/186,298**

(22) Filed: **Jul. 14, 2003**

(51) **LOC (7) Cl.** **14-03**

(52) **U.S. Cl.** **D14/240**

(58) **Field of Search** D14/240, 243,
D14/2, 142; D13/144; 455/569, 570; 379/422,
424, 426, 427

(56) **References Cited**

U.S. PATENT DOCUMENTS

D359,269 S * 6/1995 Wharton D13/144
D384,036 S * 9/1997 Janci D13/144
D403,663 S * 1/1999 Jones et al. D13/144

D404,037 S * 1/1999 Gomez et al. D14/240
D463,369 S * 9/2002 Eisenbraun D13/144
D465,781 S * 11/2002 Fischer D14/240
D467,911 S * 12/2002 Lee D14/243
D468,265 S * 1/2003 Cook D13/144
D469,417 S * 1/2003 Hsu D14/142
D479,196 S * 9/2003 Shih D13/144

* cited by examiner

Primary Examiner—Charles A. Radermaker
(74) *Attorney, Agent, or Firm*—Design IP

(57) **CLAIM**

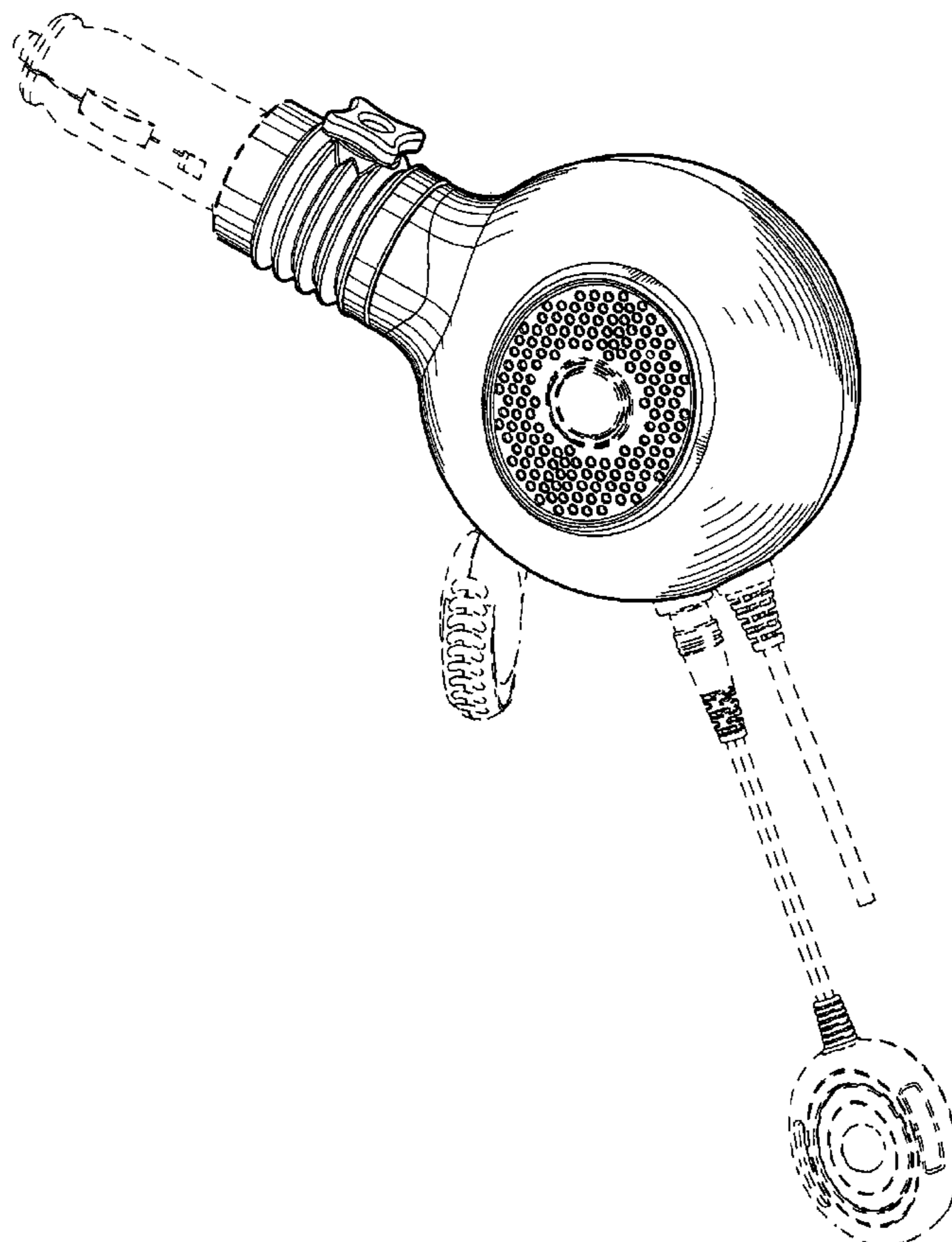
The ornamental design for a vehicle kit for a communication device, as shown and described.

DESCRIPTION

FIG. 1 is a perspective view of a vehicle kit for a communication device, showing our new design; FIG. 2 is a rear elevation thereof; FIG. 3 is a front elevation thereof; FIG. 4 is a left side elevation thereof; FIG. 5 is a right side elevation thereof; FIG. 6 is a top plan view thereof; and, FIG. 7 is a bottom plan view thereof.

The broken lines which define the bounds of the claimed design in each of the figure drawings form no part thereof.

1 Claim, 4 Drawing Sheets



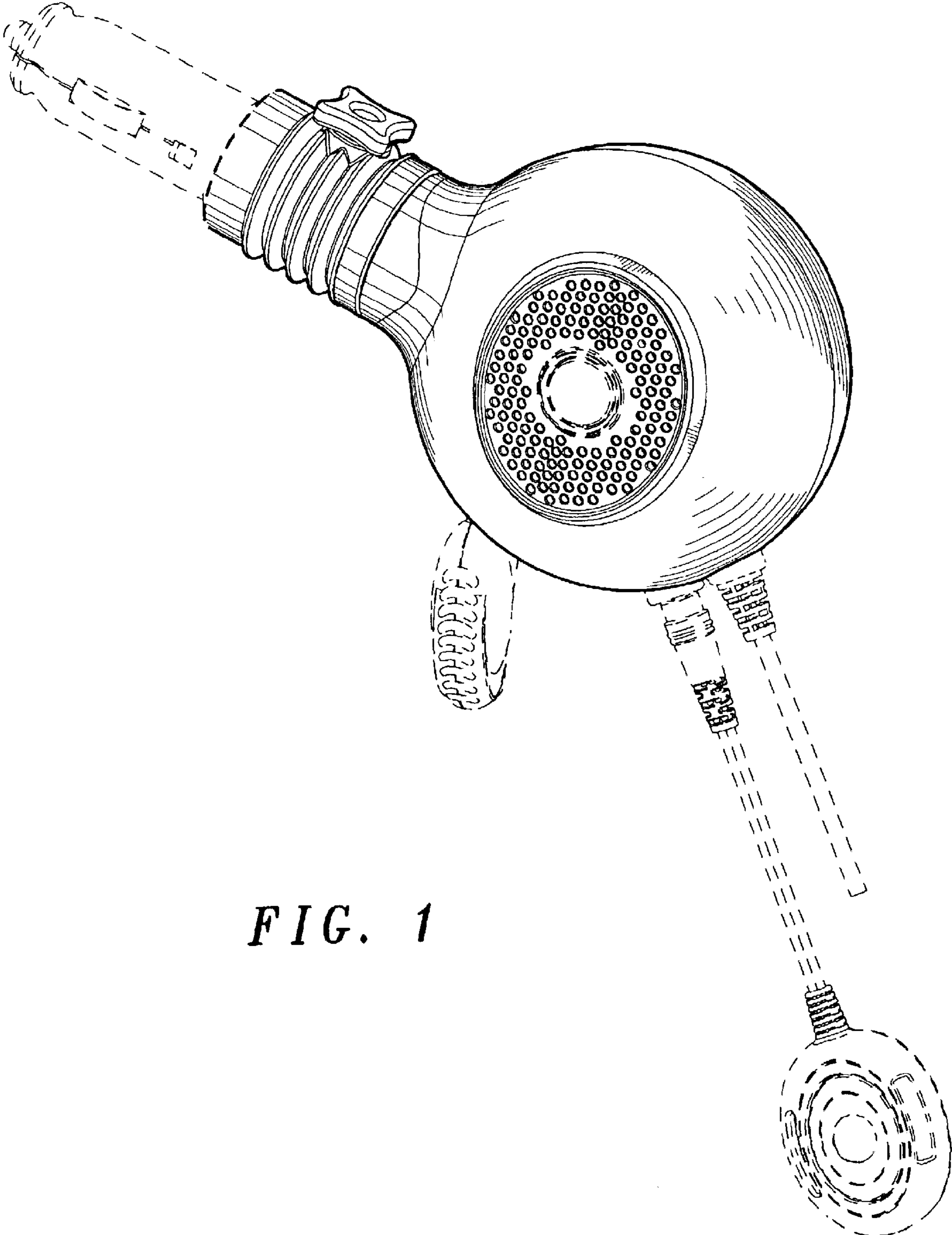


FIG. 1

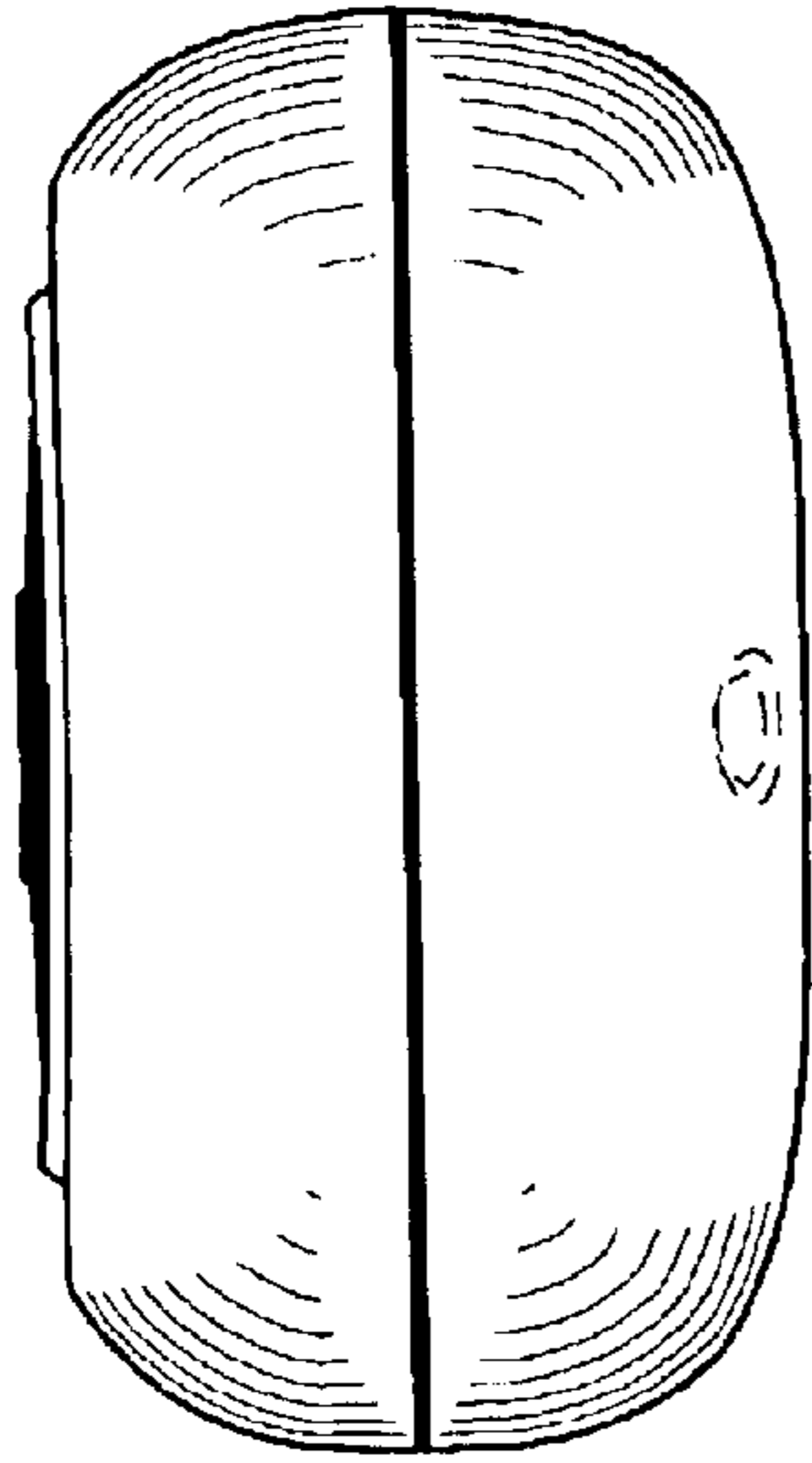


FIG. 2

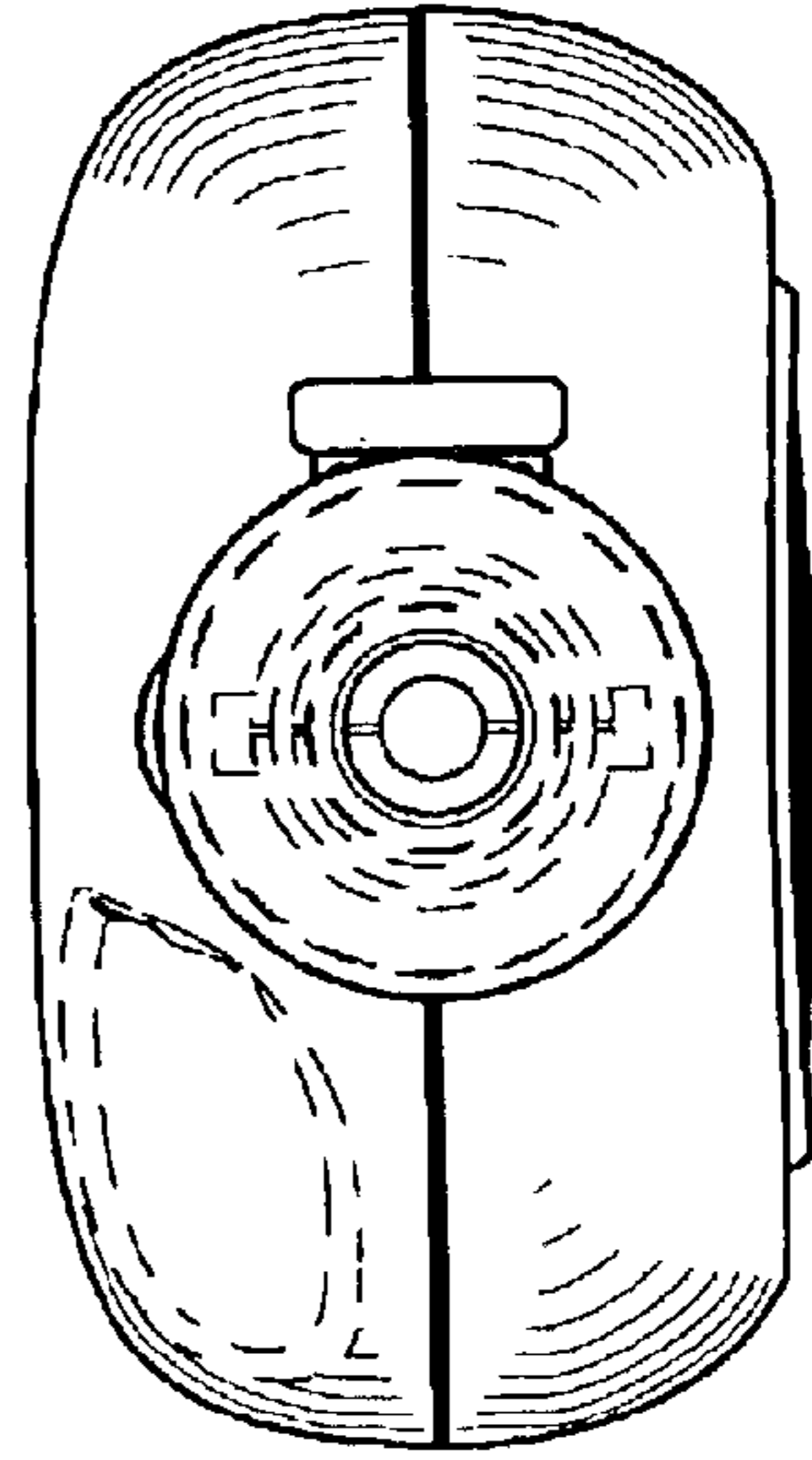


FIG. 3

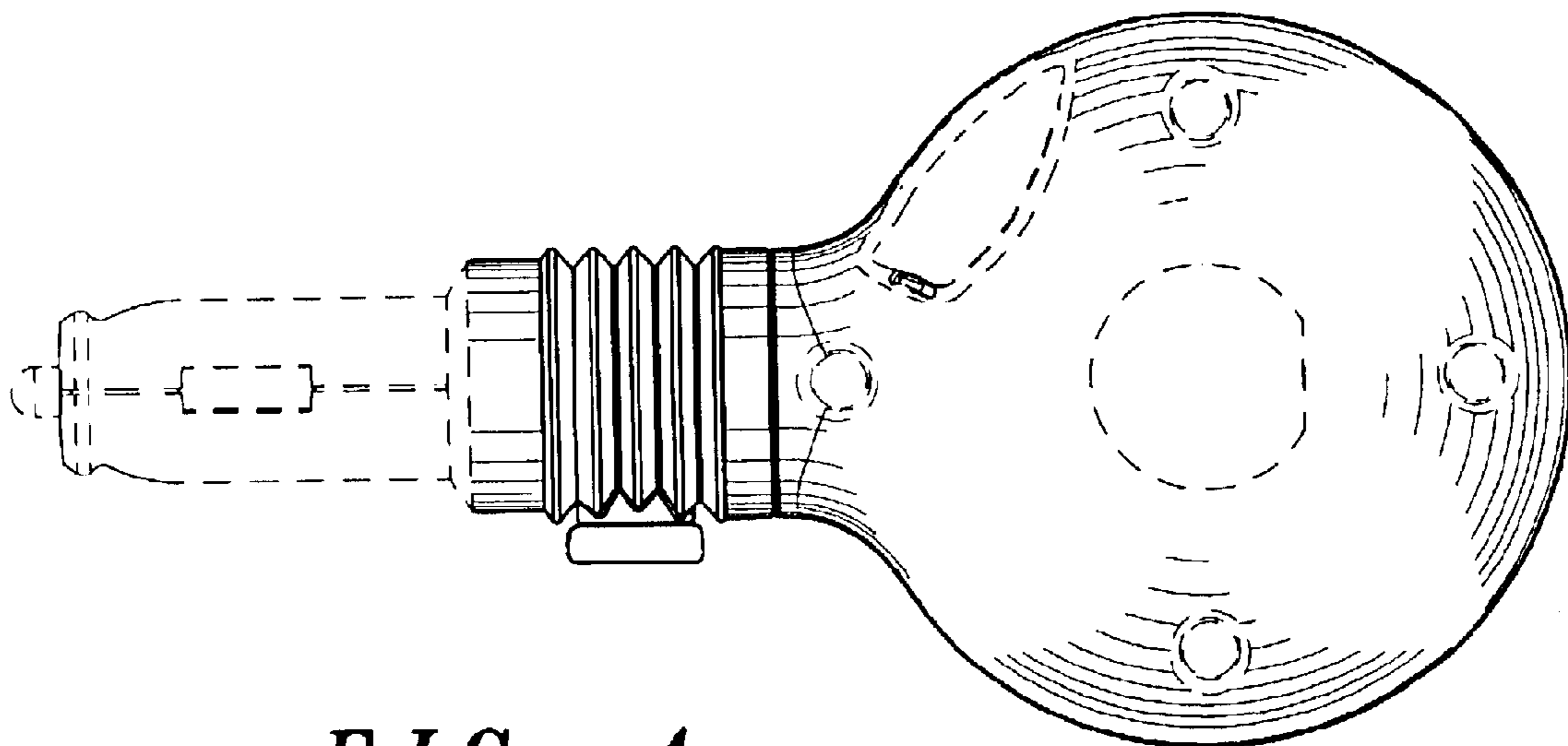


FIG. 4

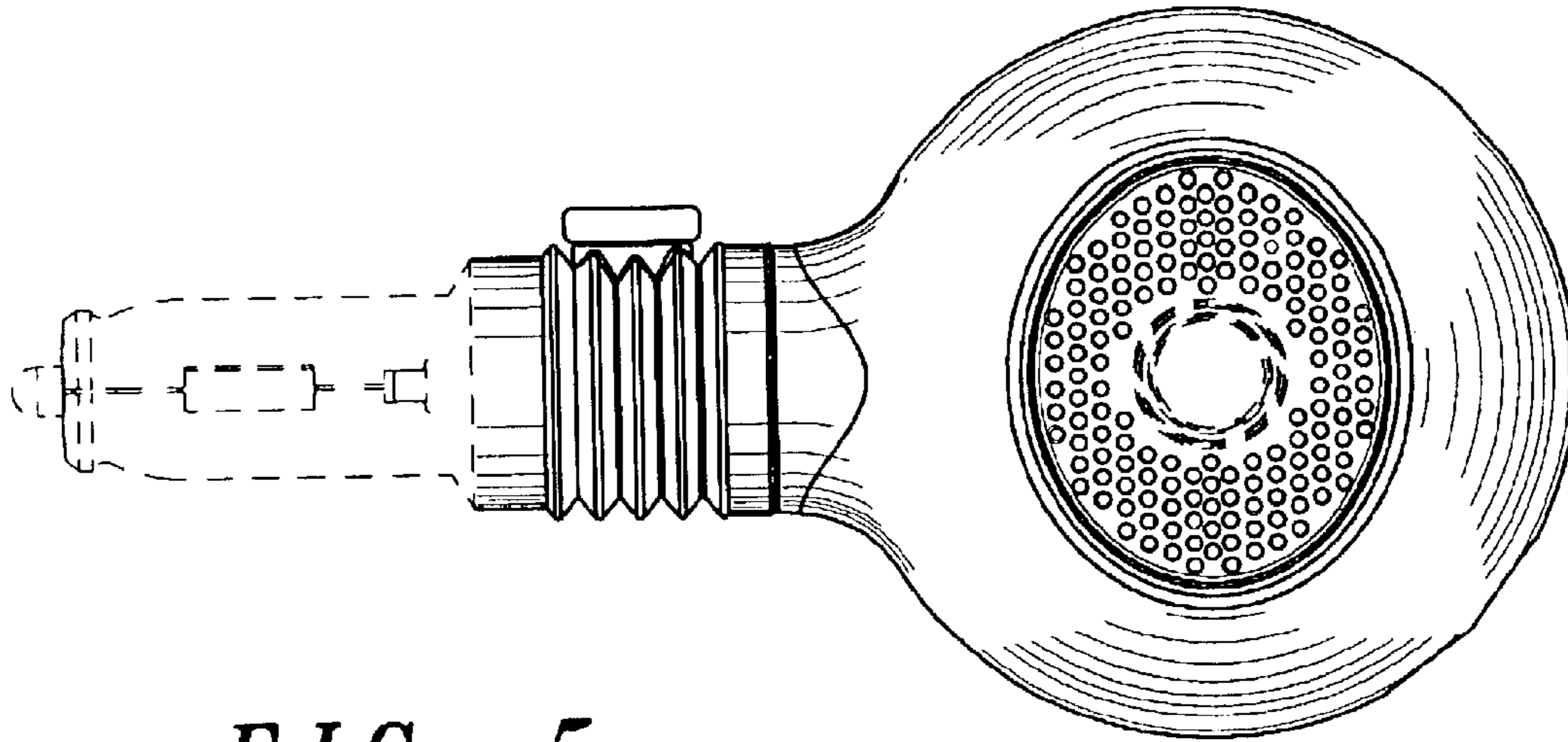


FIG. 5

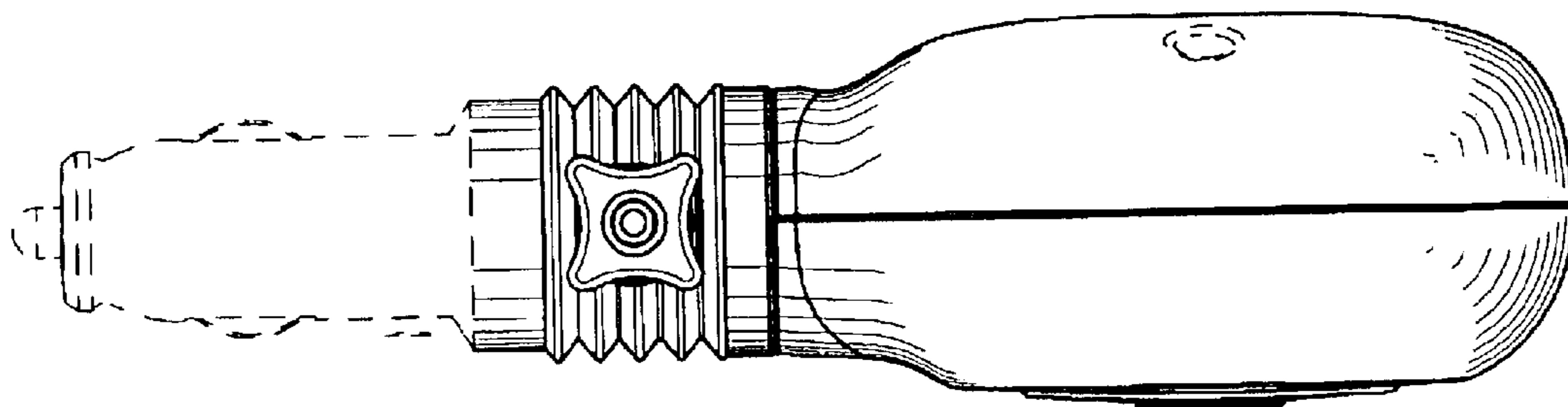


FIG. 6

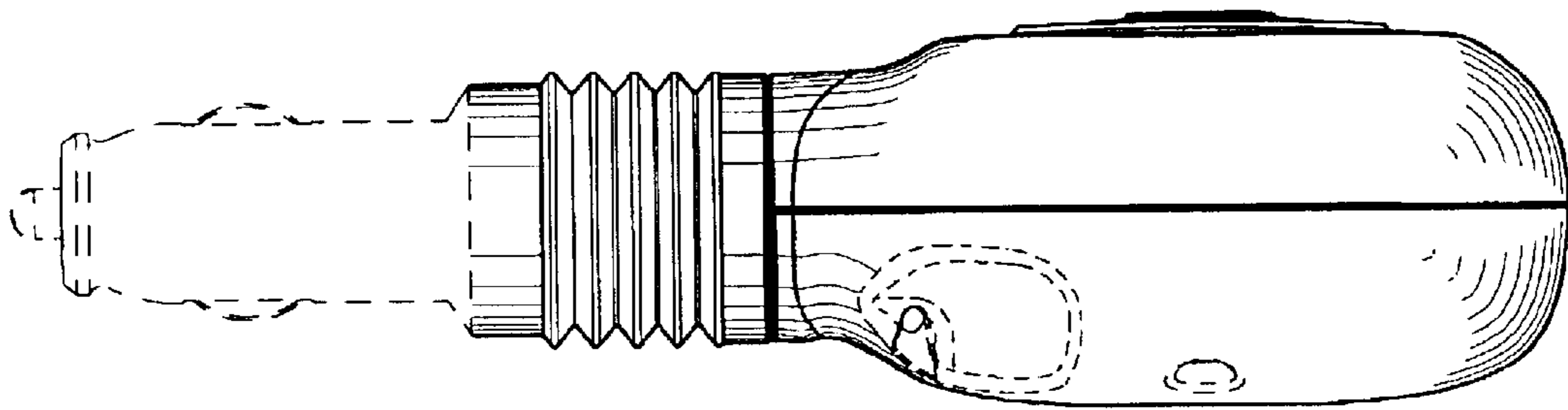


FIG. 7