

US00D501199S

(12) **United States Design Patent**
Wang

(10) **Patent No.:** **US D501,199 S**
(45) **Date of Patent:** **** Jan. 25, 2005**

- (54) **SPEAKER**
- (75) Inventor: **Liang Wang, Su Zhou (CN)**
- (73) Assignee: **BENQ Corporation, Taoyuan (TW)**
- (**) Term: **14 Years**
- (21) Appl. No.: **29/177,853**
- (22) Filed: **Mar. 17, 2003**
- (30) **Foreign Application Priority Data**
Dec. 17, 2002 (TW) 91307336
- (51) **LOC (7) Cl.** **14-01**
- (52) **U.S. Cl.** **D14/215; D14/214**
- (58) **Field of Search** D14/204, 207,
D14/209–216, 356; 181/143–145, 147–148,
150, 153, 157, 198–199; 381/300–302,
306, 333, 345, 361–364, 386–388

- D391,260 S * 2/1998 Makinen et al. D14/214
- D402,988 S * 12/1998 Shin et al. D14/214
- D444,457 S * 7/2001 Kuo D14/214

* cited by examiner

Primary Examiner—Nanda Bondade
(74) *Attorney, Agent, or Firm*—Quintero Law Office

(57) **CLAIM**

The ornamental design for a speaker, as shown and described.

DESCRIPTION

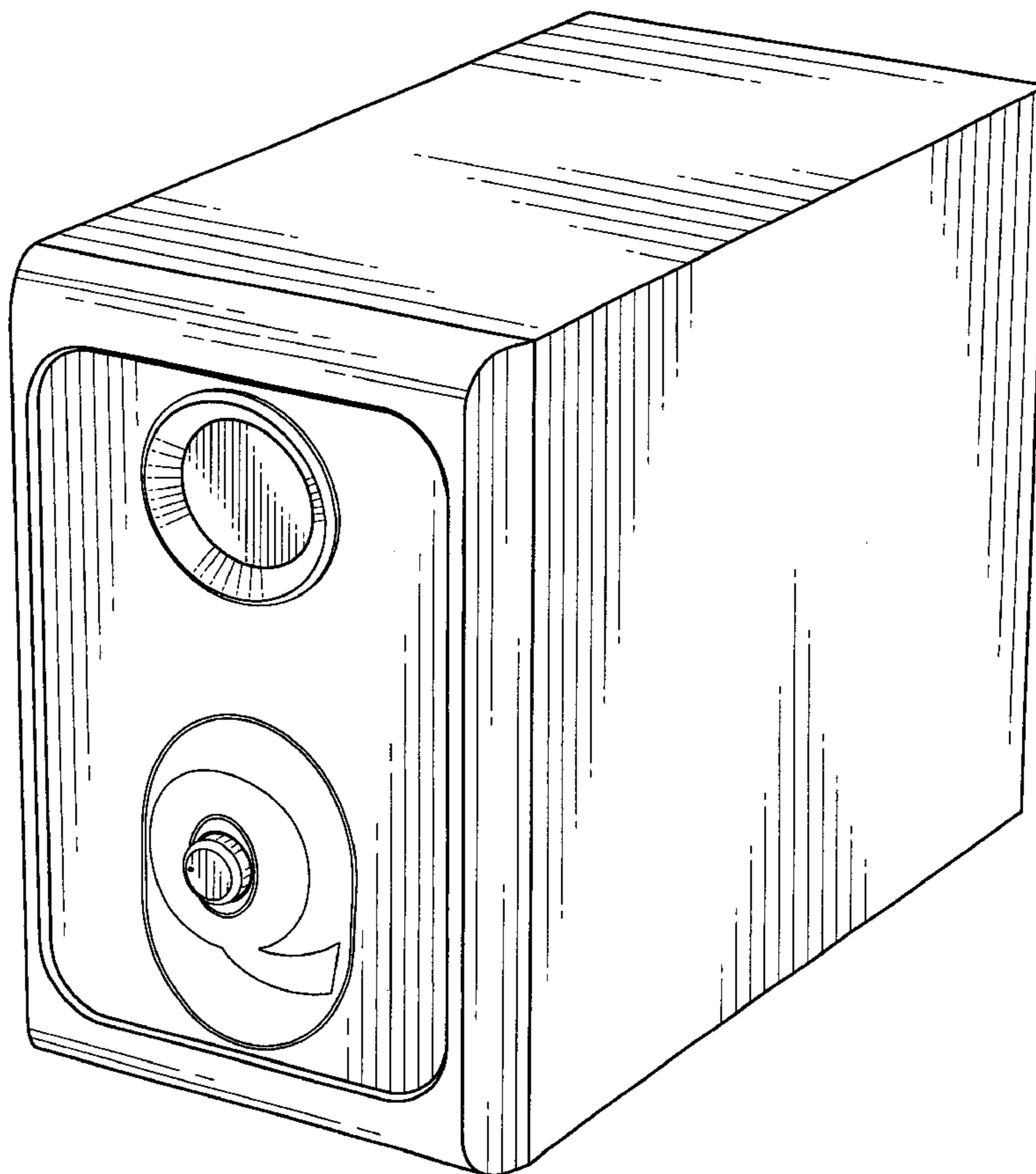
FIG. 1 is a perspective view of a speaker showing my new design;
FIG. 2 is a front elevational view thereof;
FIG. 3 is a rear elevational view thereof;
FIG. 4 is a left side elevational view thereof;
FIG. 5 is a right side elevational view thereof;
FIG. 6 is a top plane view thereof; and,
FIG. 7 is a bottom plane view thereof.

(56) **References Cited**

U.S. PATENT DOCUMENTS

- 4,805,730 A * 2/1989 O'Neill et al. 181/148

1 Claim, 7 Drawing Sheets



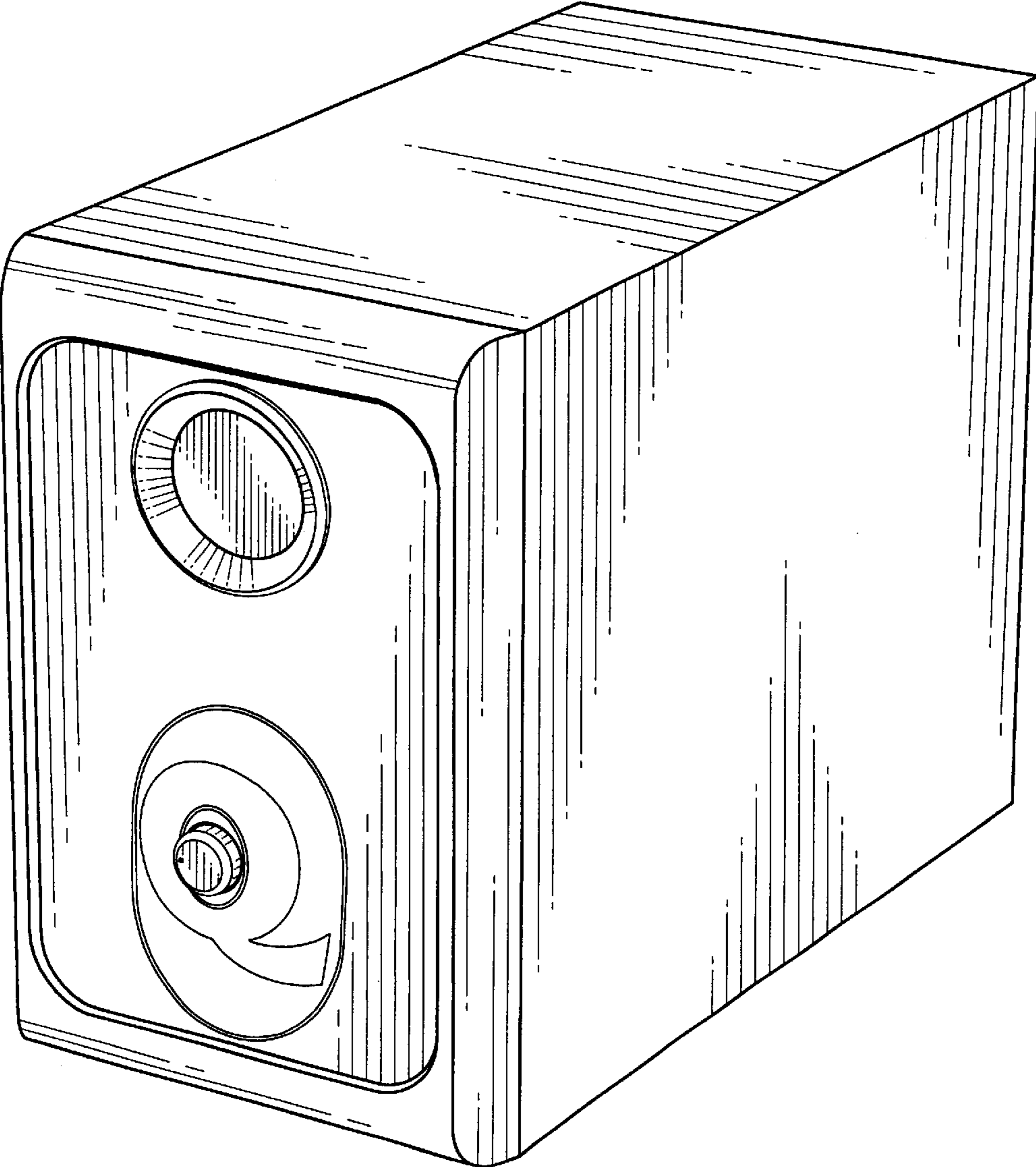


FIG. 1

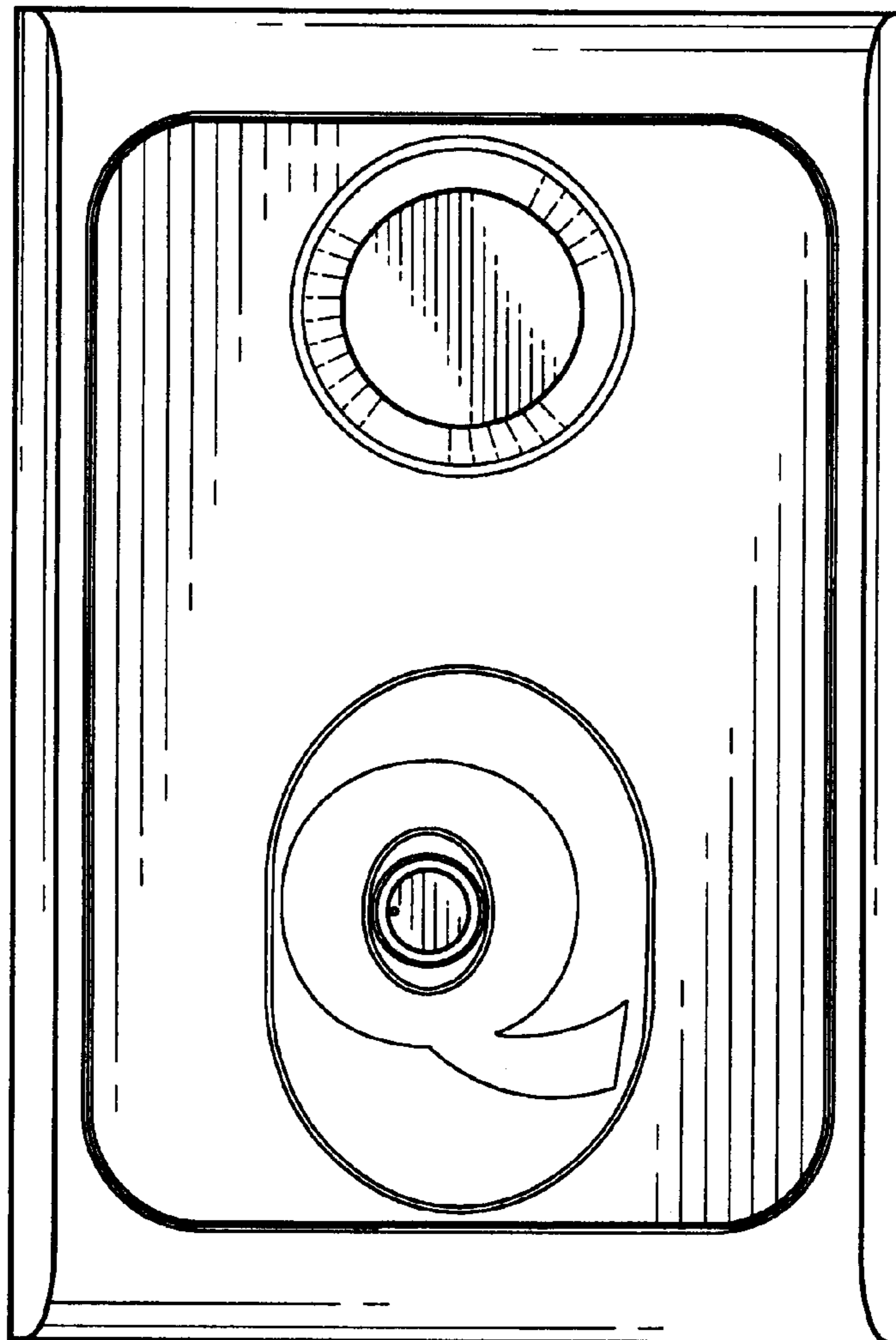


FIG. 2

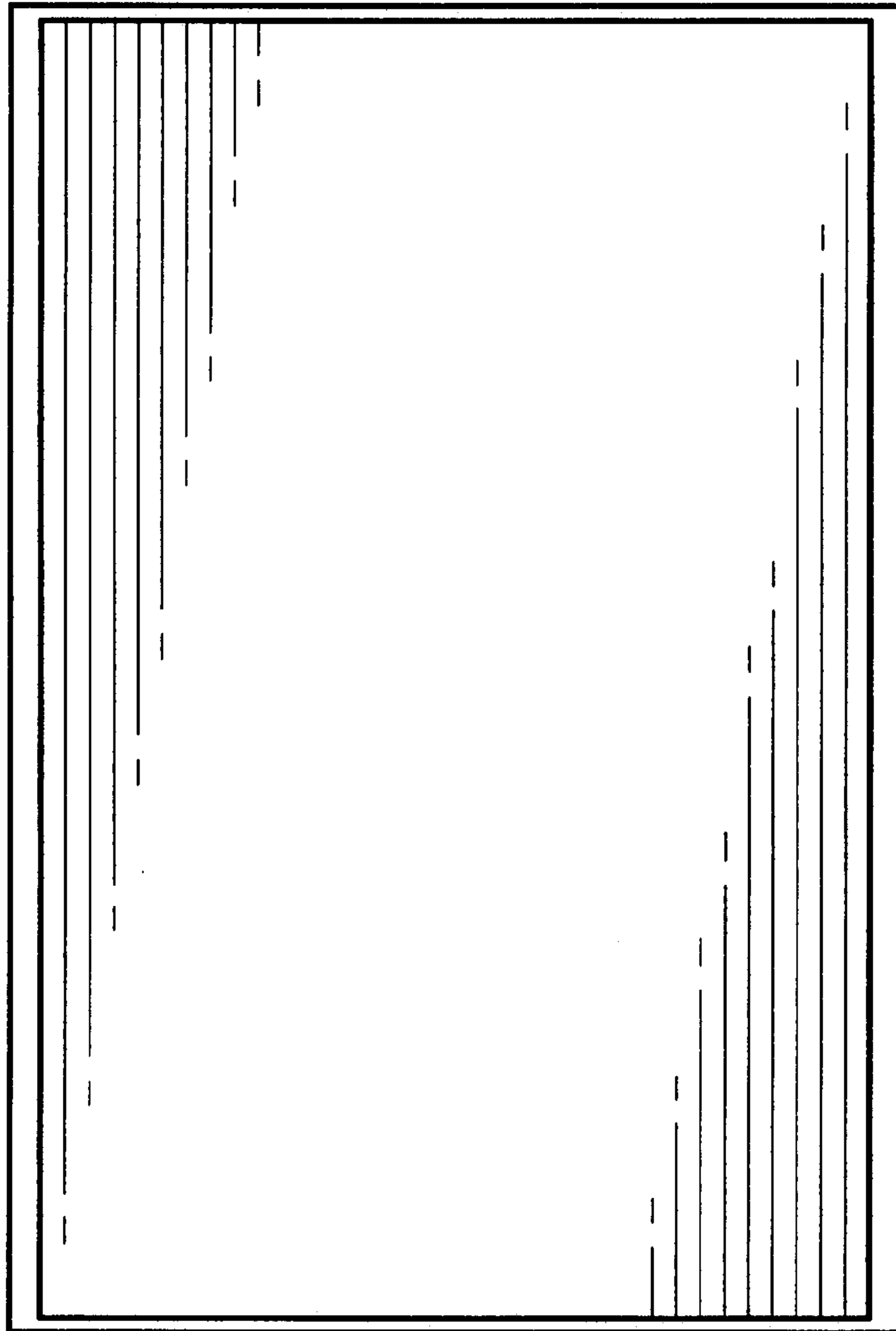


FIG. 3

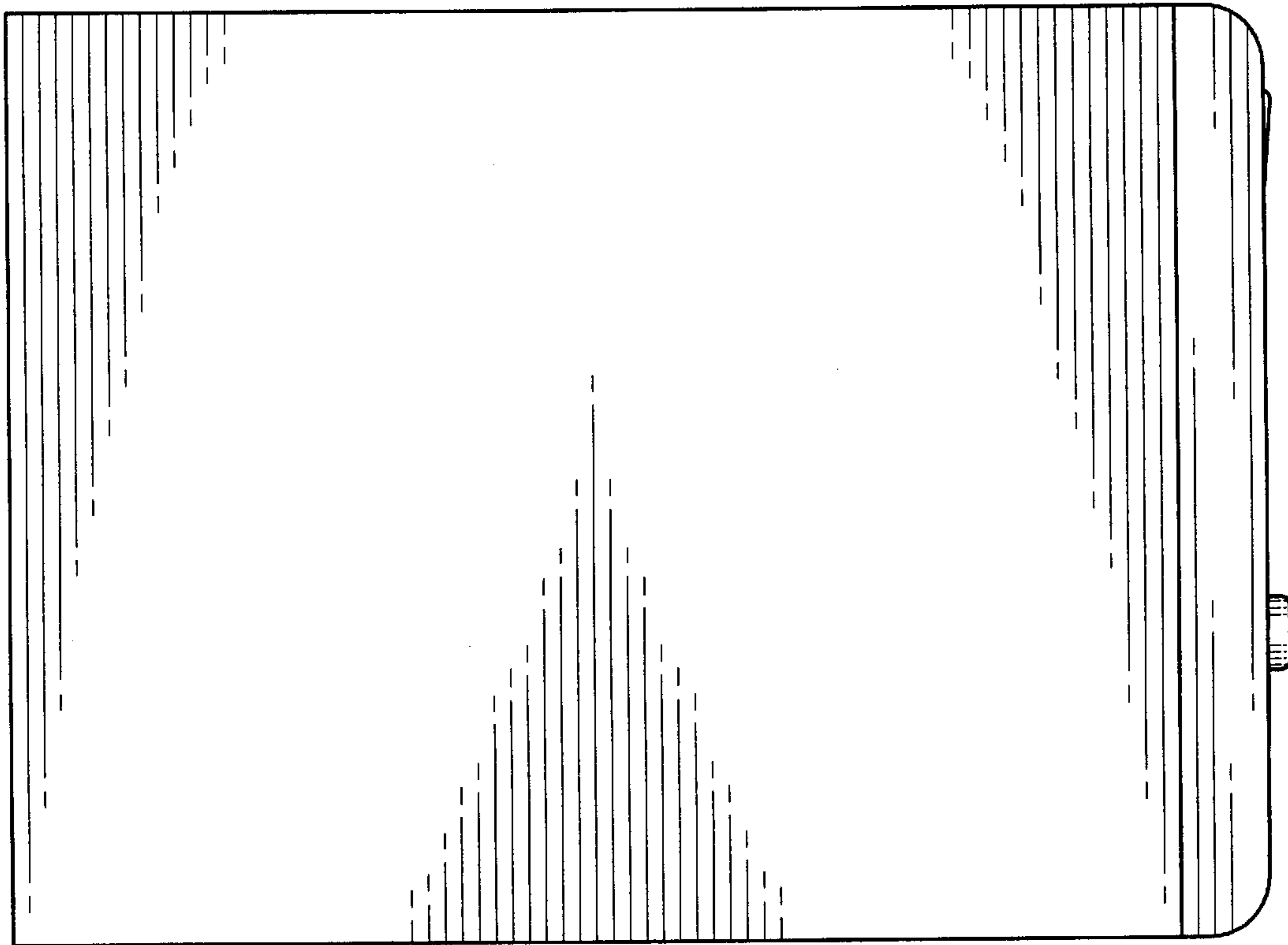


FIG. 4

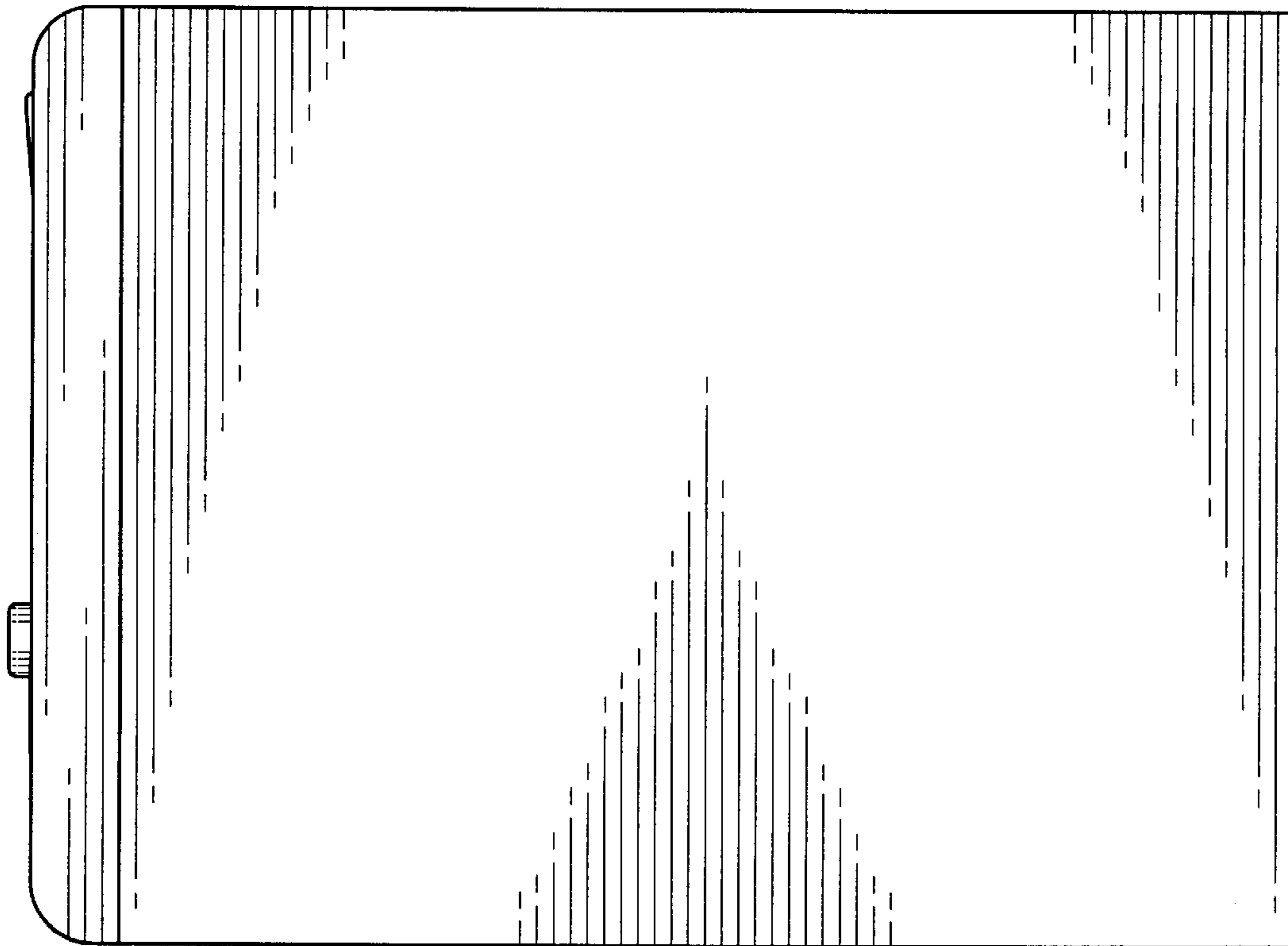


FIG. 5

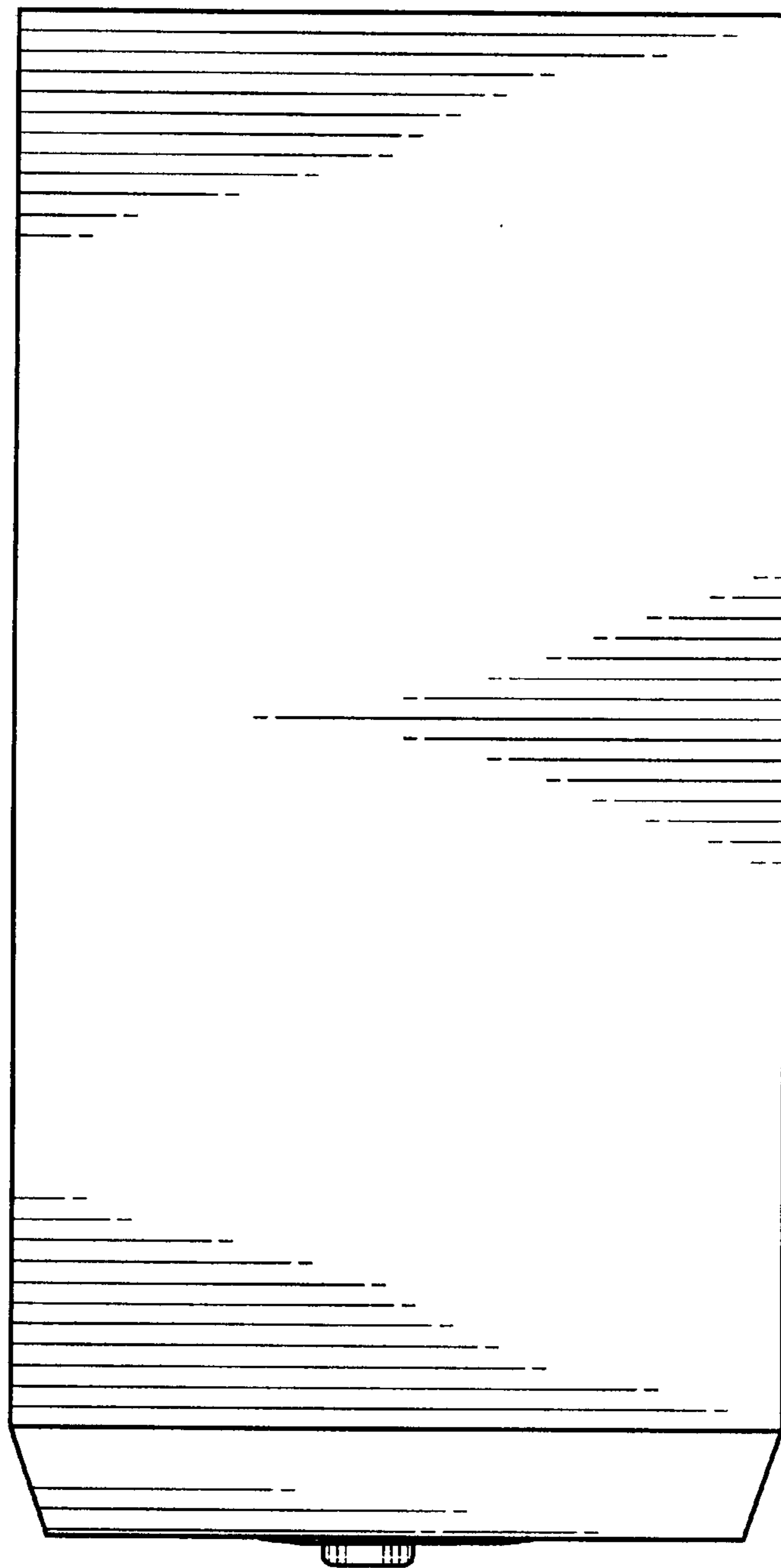


FIG. 6

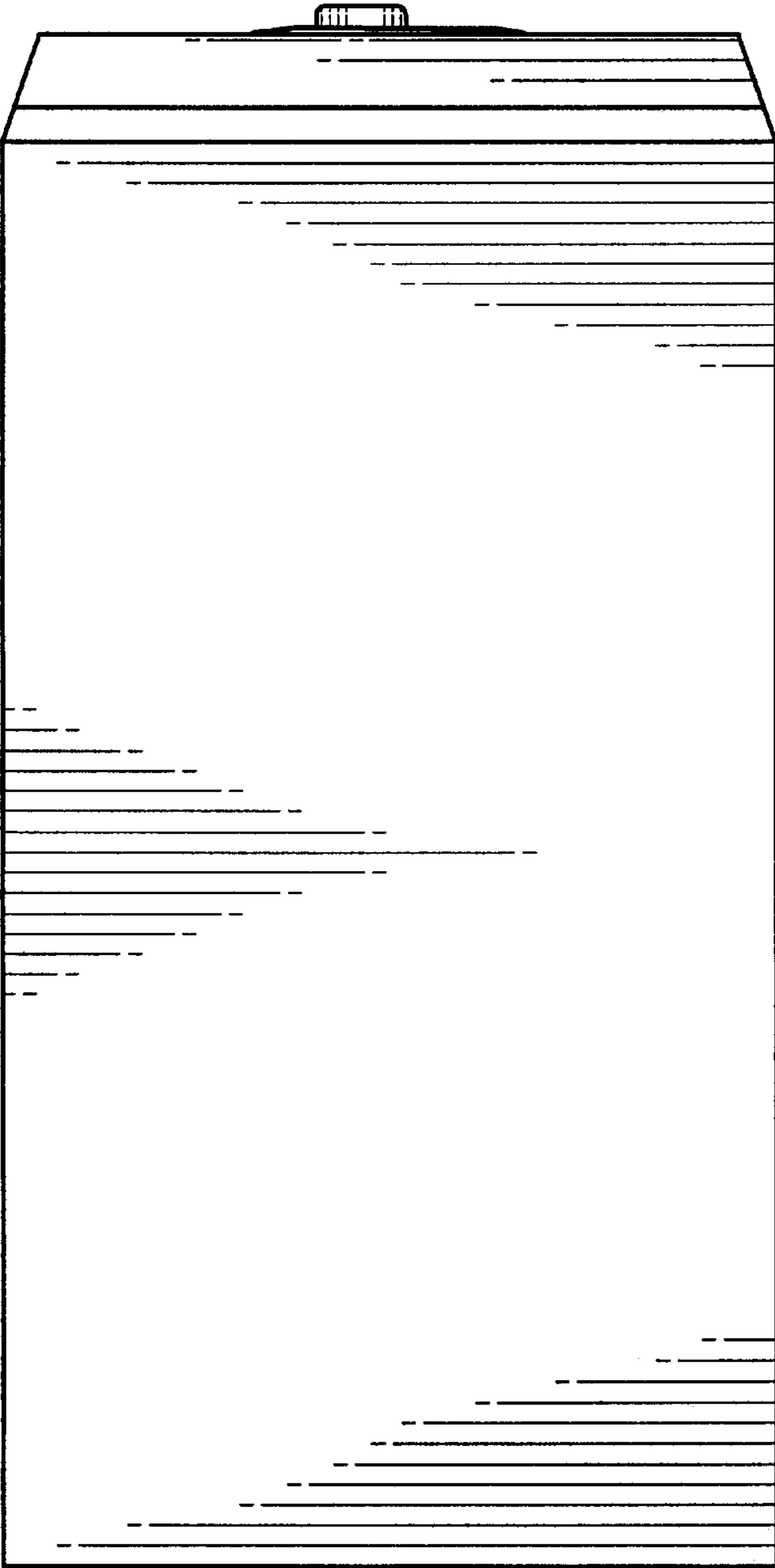


FIG. 7