



US00D501197S

(12) **United States Design Patent**
Tanoni

(10) **Patent No.:** **US D501,197 S**
(45) **Date of Patent:** **** Jan. 25, 2005**

(54) **LOUDSPEAKERS**

D436,096 S * 1/2001 Nagele et al. D14/214
D439,238 S * 3/2001 Mackie et al. D14/214
D471,175 S * 3/2003 Lo D14/214

(75) **Inventor:** **Bruno Tanoni, Recanati (IT)**

* cited by examiner

(73) **Assignee:** **F.B.T. Elettronica S.p.A., Recanati (IT)**

Primary Examiner—Nanda Bondade

(**) **Term:** **14 Years**

(74) *Attorney, Agent, or Firm*—Armstrong, Kratz, Quintos,
Hanson & Brooks, LLP

(21) **Appl. No.:** **29/182,030**

(22) **Filed:** **May 19, 2003**

(57) **CLAIM**

(30) **Foreign Application Priority Data**

The ornamental design for a loudspeaker, as shown and described.

Apr. 3, 2003 (IT) MC2003O0007

DESCRIPTION

(51) **LOC (7) Cl.** **14-01**

FIG. 1 is a left perspective view of a loudspeaker, showing my new design.

(52) **U.S. Cl.** **D14/214**

FIG. 2 is a right perspective view thereof.

(58) **Field of Search** D14/204, 207,

FIG. 3 is a front elevational view thereof.

D14/209–216, 356; 181/143–145, 147–148,
150, 153, 157, 198–199; 381/300–302,
306, 333, 345, 361–364, 386–388

FIG. 4 is a rear elevational view thereof.

FIG. 5 is a right side elevational view thereof.

FIG. 6 is a left side elevational view thereof.

FIG. 7 is a top plan elevational view thereof; and,

FIG. 8 is a bottom plan elevational view thereof.

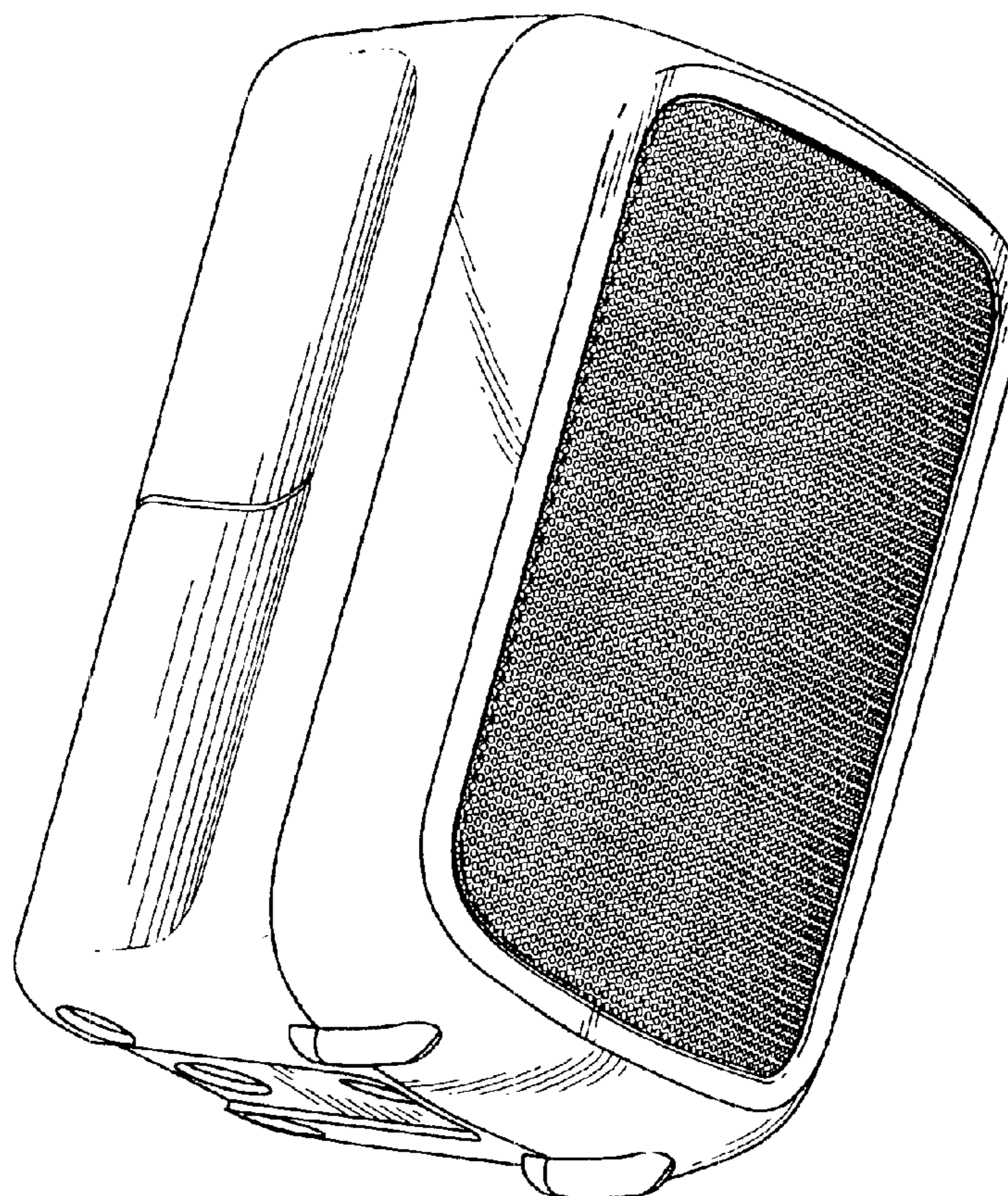
FIGS. 1 and 2 are on a reduced scale.

(56) **References Cited**

U.S. PATENT DOCUMENTS

D358,394 S * 5/1995 Dyas D14/214
6,035,962 A * 3/2000 Lin 181/199

1 Claim, 8 Drawing Sheets



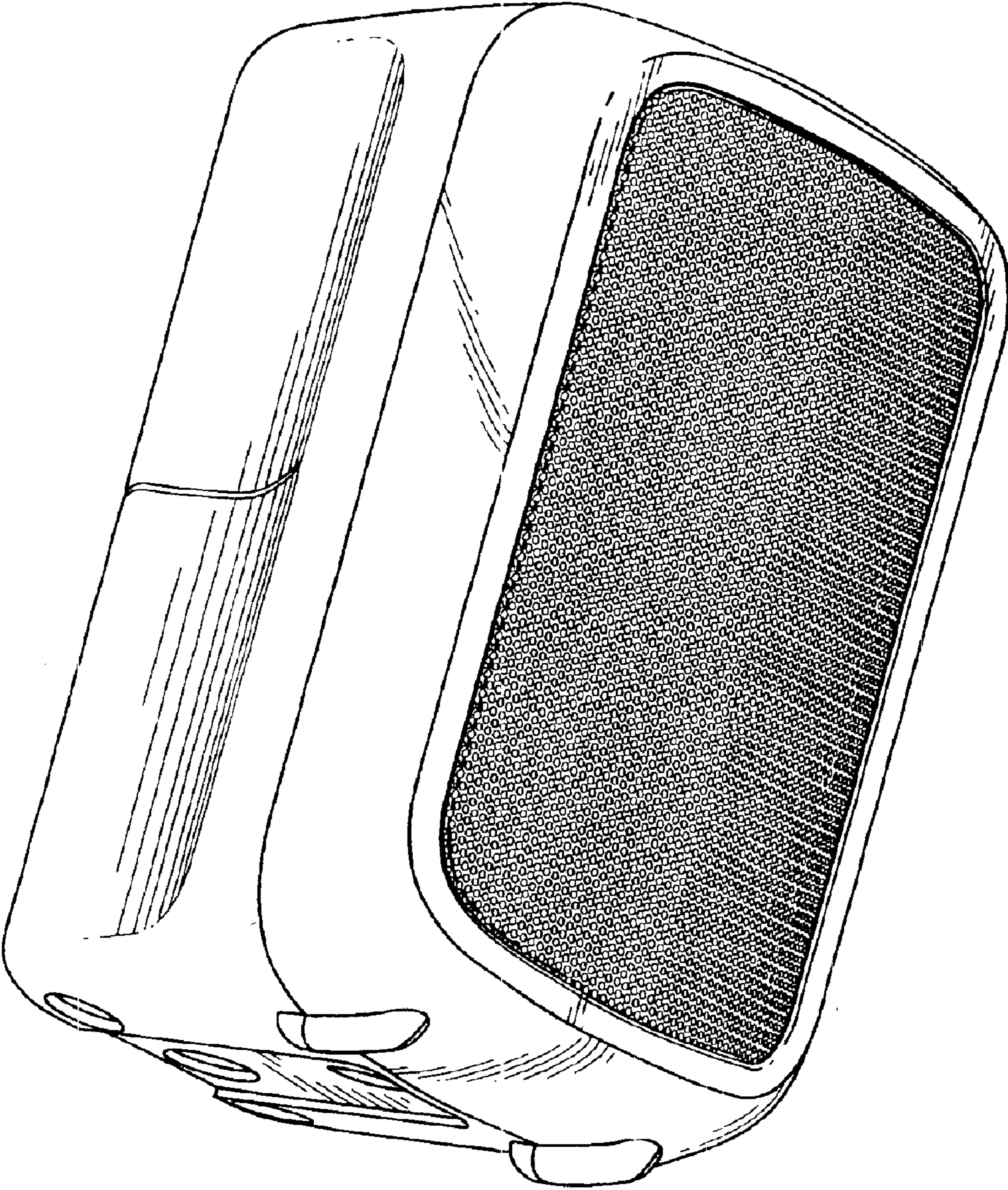


Fig. 1

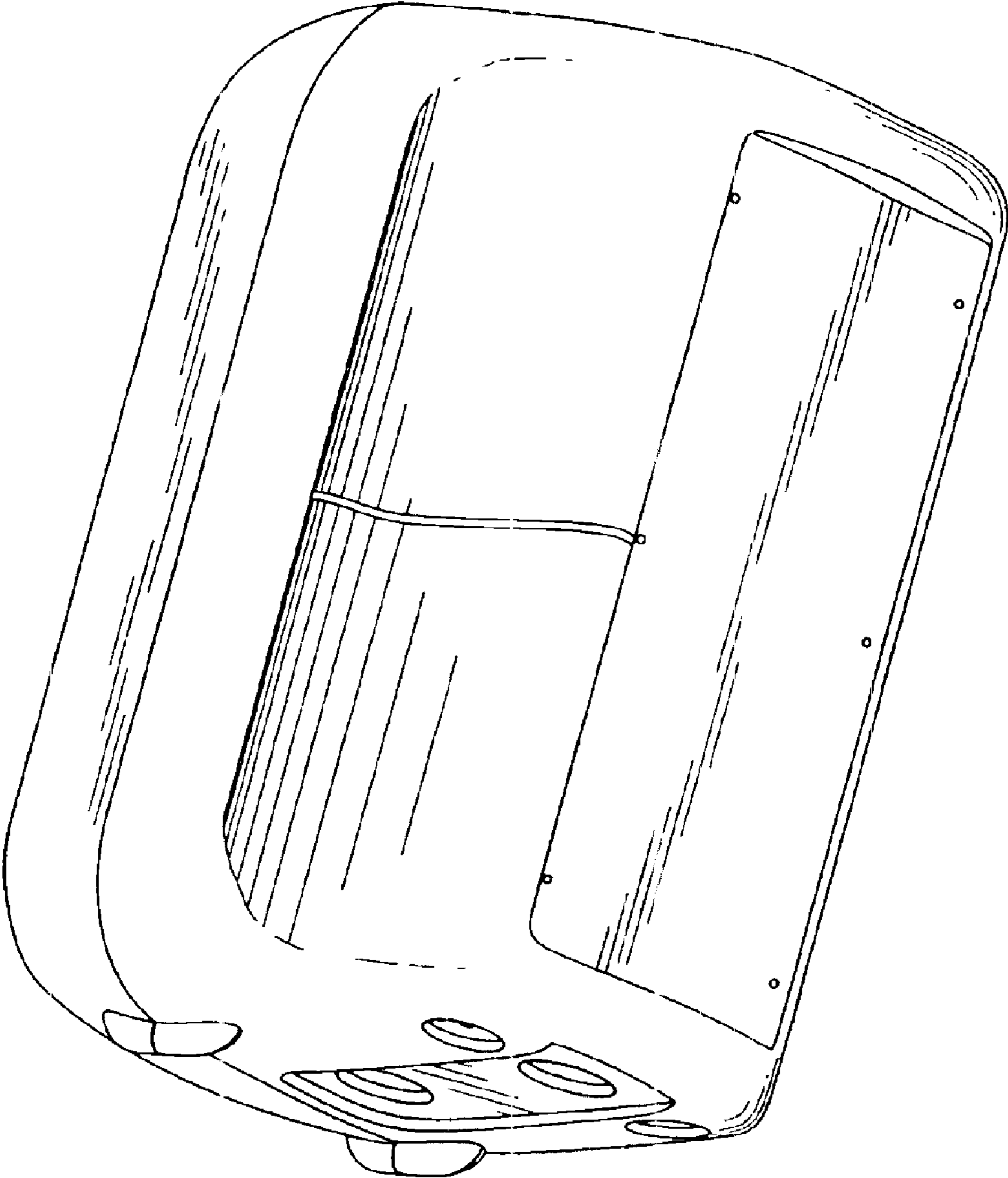


Fig. 2

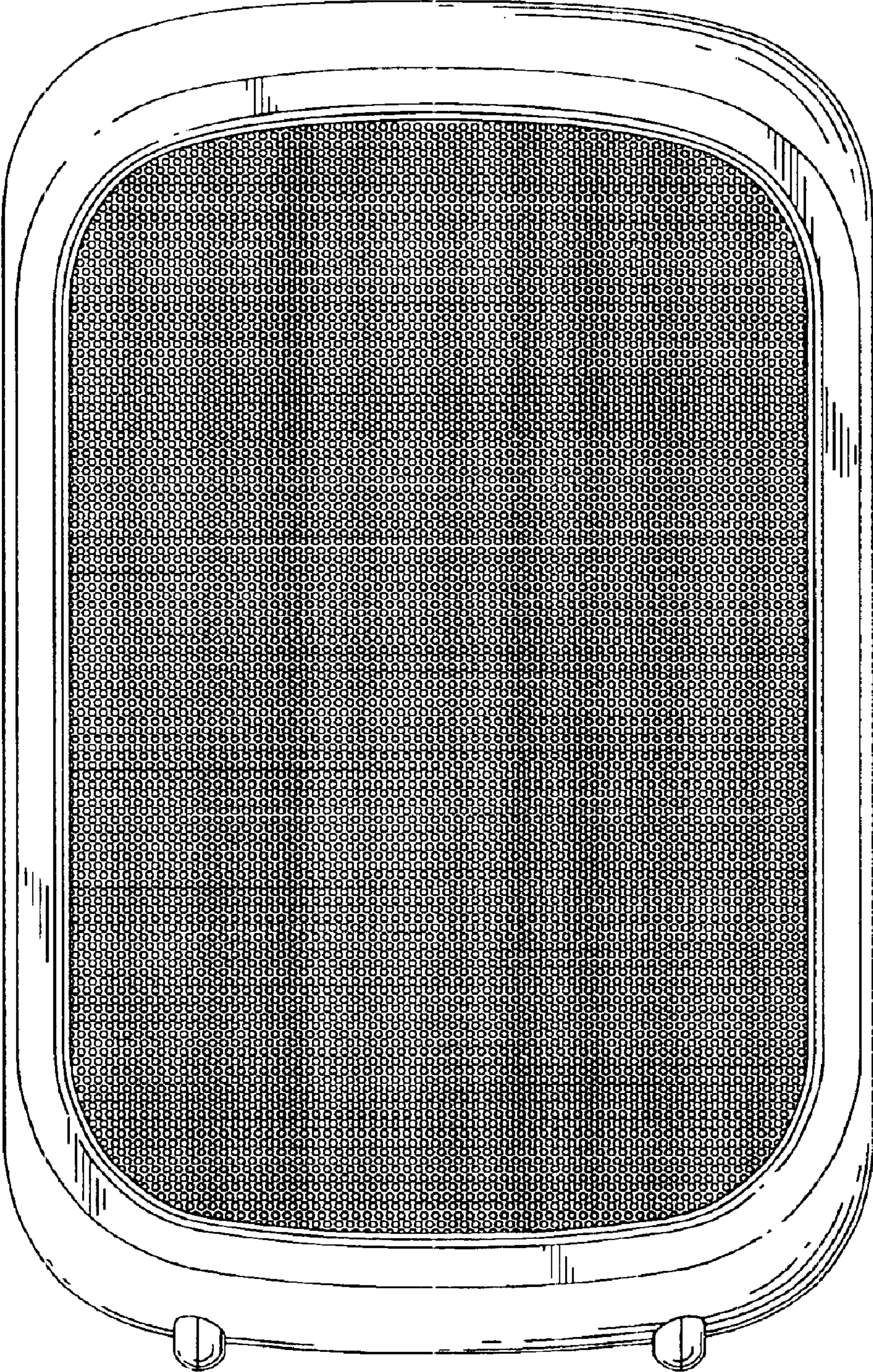


Fig. 3

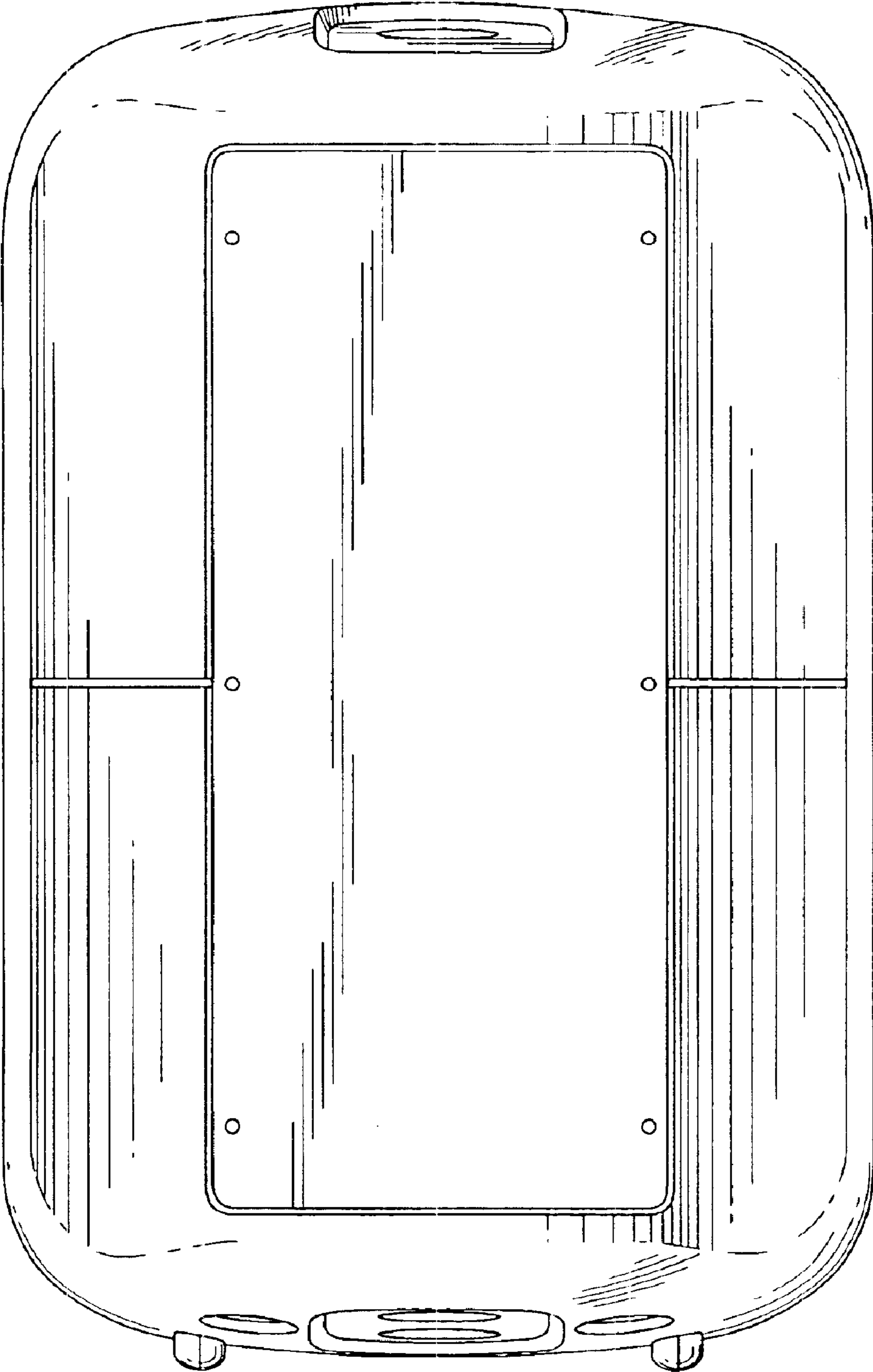


Fig. 4

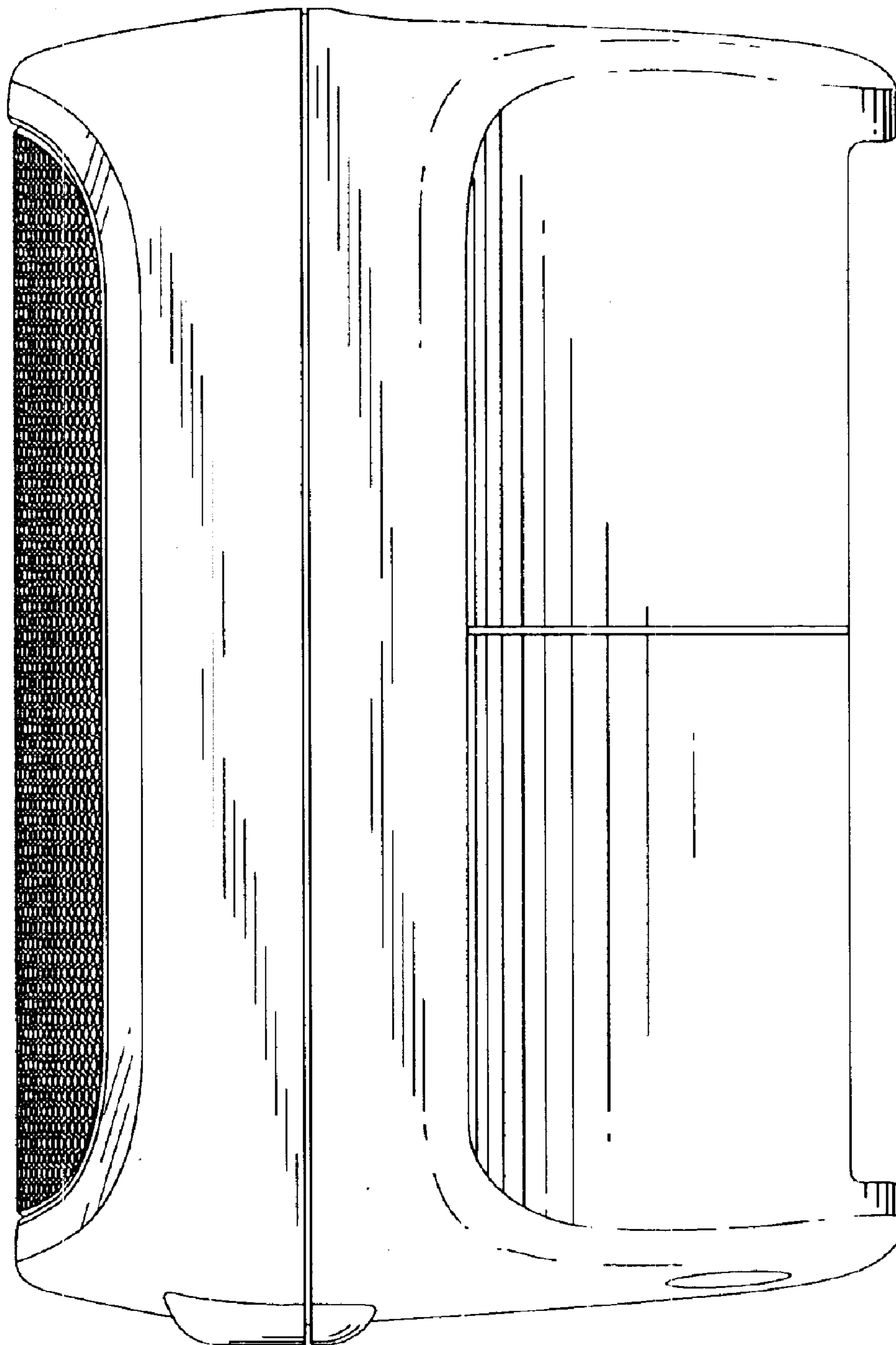


Fig. 5

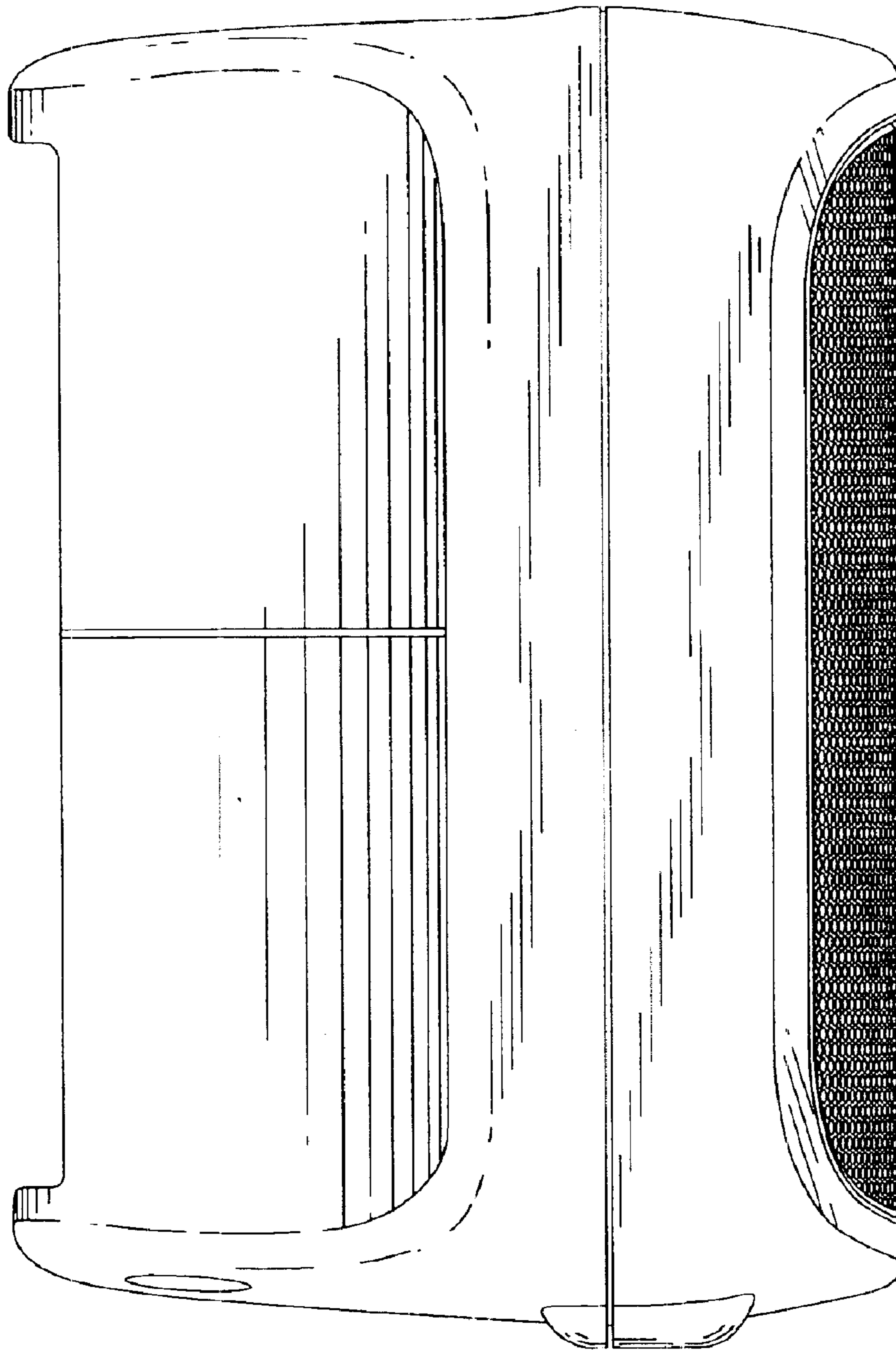


Fig. 6

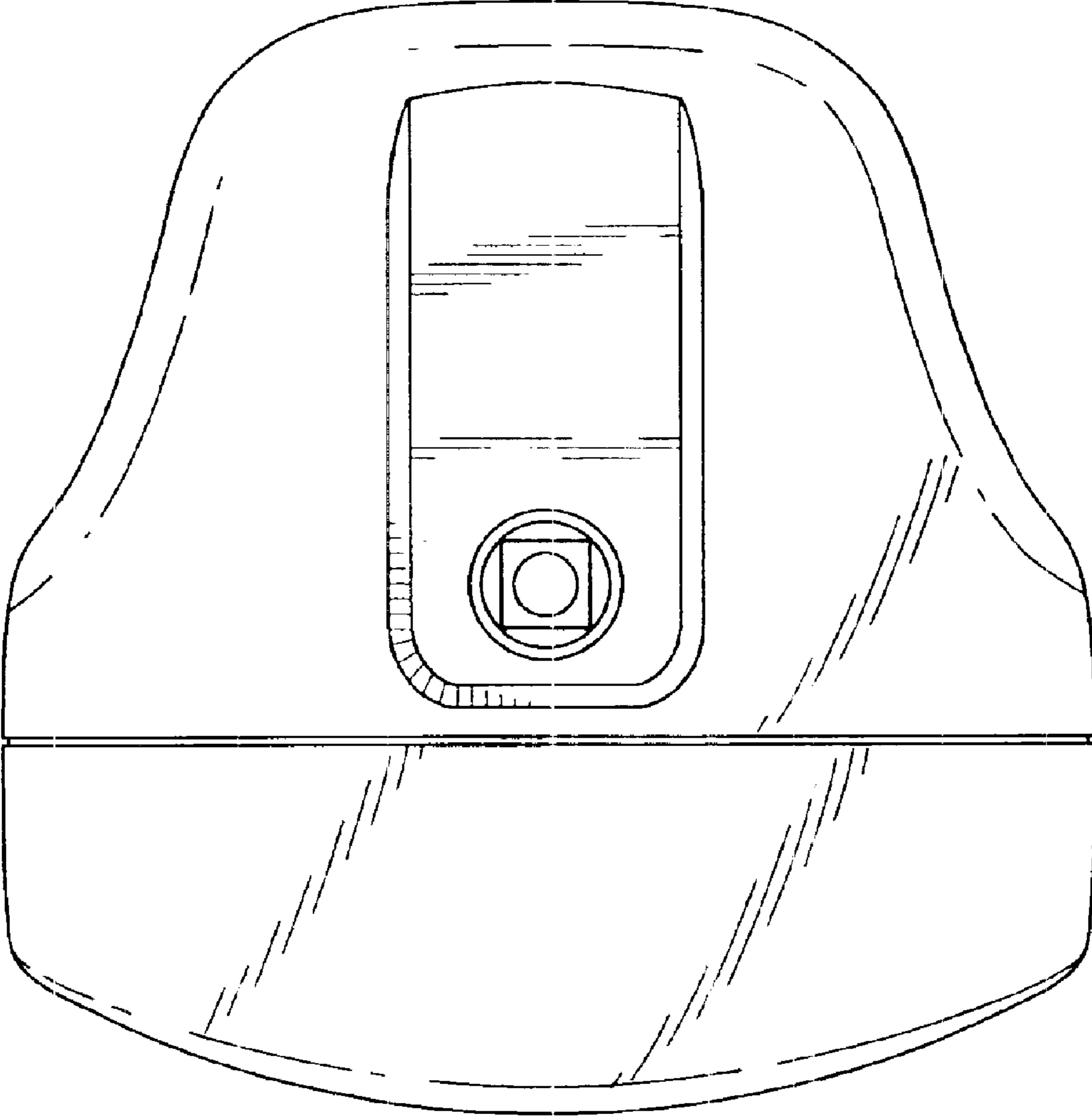


Fig. 7

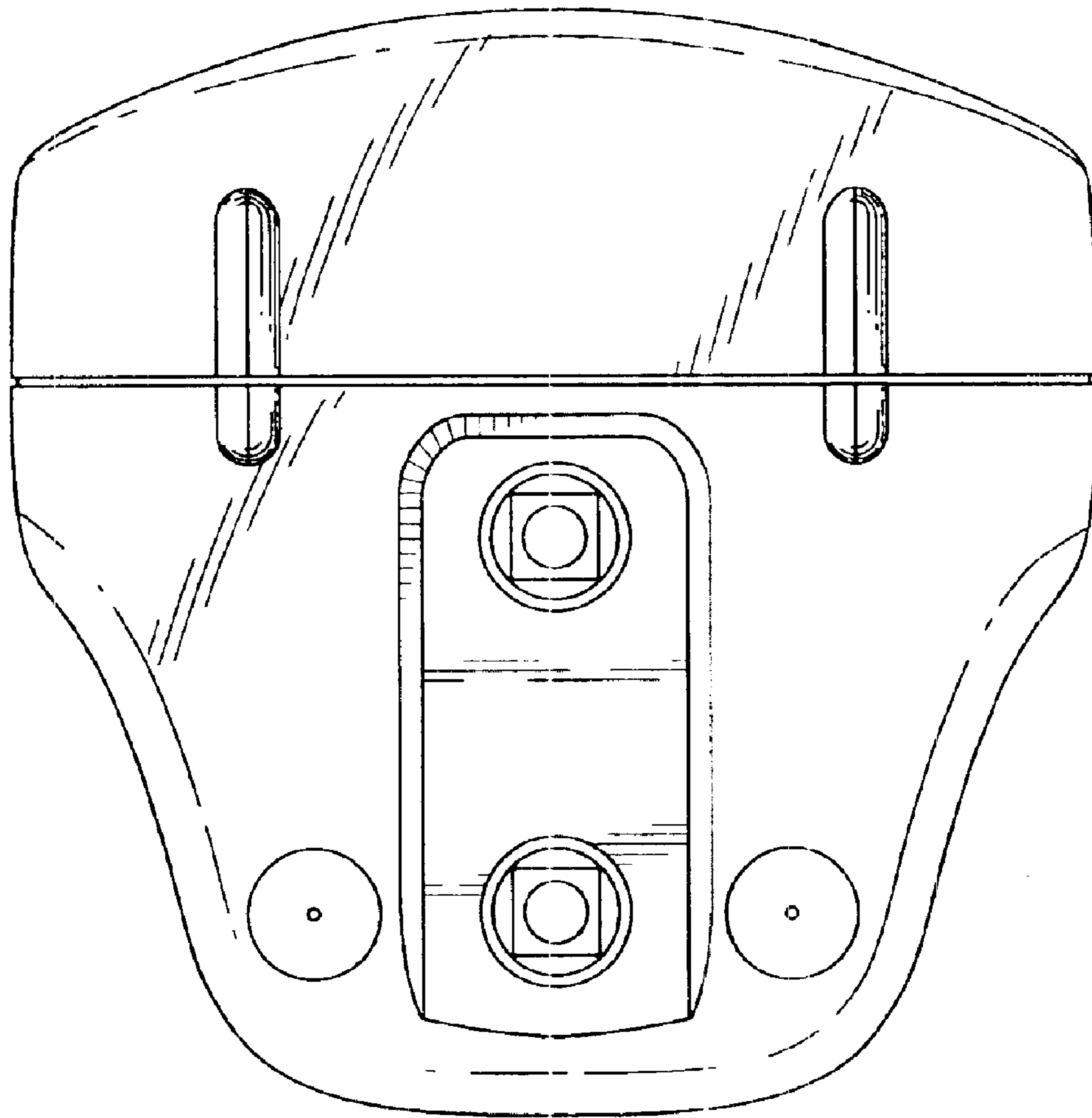


Fig. 8