

US00D501195S

(12) **United States Design Patent** (10) **Patent No.:** **US D501,195 S**
Brown et al. (45) **Date of Patent:** **** Jan. 25, 2005**

(54) **OUTDOOR WIRELESS PRODUCT ENCLOSURE FOR ELEVATED MOUNTING**

(75) Inventors: **Michael Brown**, Orleans (CA); **Kevin Bailey**, Ottawa (CA); **Bernard Herscovich**, Kanata (CA); **William Justin Mayda**, Nepean (CA); **David William Park**, Kanata (CA); **Stephen G. Rayment**, Ottawa (CA)

(73) Assignee: **Belair Networks, Inc.**, Kanata (CA)

(**) Term: **14 Years**

(21) Appl. No.: **29/185,484**

(22) Filed: **Jun. 30, 2003**

(51) **LOC (7) Cl.** **14-03**

(52) **U.S. Cl.** **D14/191; D14/188**

(58) **Field of Search** D14/188, 191, D14/217, 218, 224, 265, 299, 496; D21/324, 333; 455/90.1, 90.2, 90.3, 344, 347, 348, 899, 351; 206/320

(56) **References Cited**

U.S. PATENT DOCUMENTS

D51,250 S	*	9/1917	Borggrafe	D14/299
D167,828 S	*	9/1952	Florac	D14/194
4,901,852 A	*	2/1990	King	206/320
5,214,794 A	*	5/1993	Van Wijnen	455/351
D344,084 S	*	2/1994	Chen	D14/191
D345,736 S	*	4/1994	Scheid	D14/191
D352,504 S	*	11/1994	Scheid et al.	D14/191
D360,414 S	*	7/1995	Wong	D14/191
5,452,829 A	*	9/1995	King et al.	224/666
5,537,678 A	*	7/1996	King et al.	340/7.63
D471,911 S	*	3/2003	Takiguchi et al.	D14/432

* cited by examiner

Primary Examiner—Prabhakar Deshmukh
(74) *Attorney, Agent, or Firm*—Cassan Maclean

(57) **CLAIM**

The ornamental design for an outdoor wireless product enclosure for elevated mounting, as shown and described.

DESCRIPTION

FIG. 1 is a perspective view of a first embodiment of an outdoor wireless product enclosure for elevated mounting, in an upright position;

FIG. 2 is a left side view of the outdoor wireless product enclosure for elevated mounting of FIG. 1;

FIG. 3 is a right side view of the outdoor wireless product enclosure for elevated mounting of FIG. 1;

FIG. 4 is a front view of the outdoor wireless product enclosure for elevated mounting of FIG. 1;

FIG. 5 is a back view of the outdoor wireless product enclosure for elevated mounting of FIG. 1;

FIG. 6 is a bottom view of the outdoor wireless product enclosure for elevated mounting of FIG. 1;

FIG. 7 is a top view of the outdoor wireless product enclosure for elevated mounting of FIG. 1;

FIG. 8 is a perspective view of a second embodiment of an outdoor wireless product enclosure for elevated mounting, in a hanging position;

FIG. 9 is a left side view of the outdoor wireless product enclosure for elevated mounting of FIG. 8;

FIG. 10 is a right side view of the outdoor wireless product enclosure for elevated mounting of FIG. 8;

FIG. 11 is a front view of the outdoor wireless product enclosure for elevated mounting of FIG. 8;

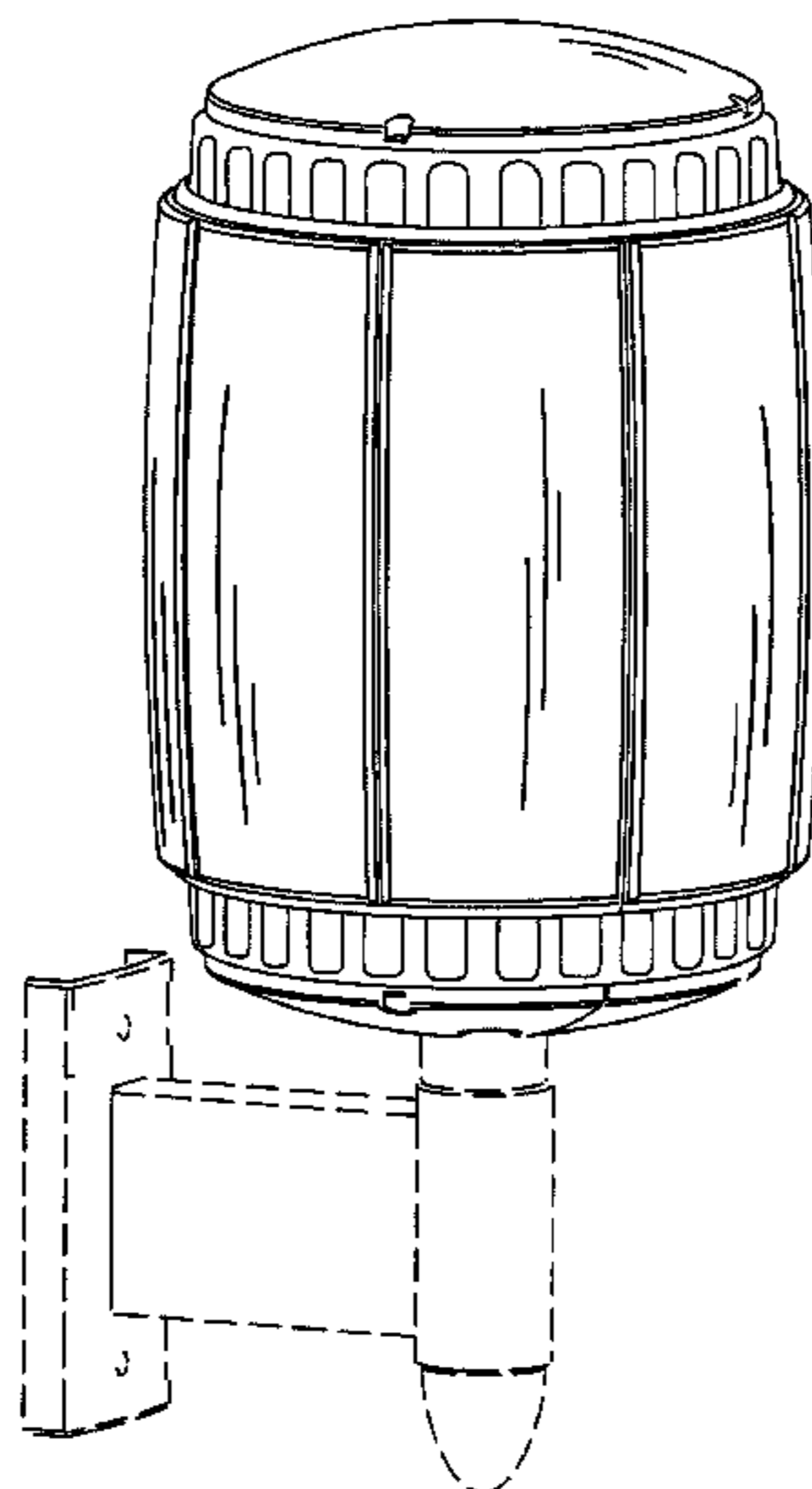
FIG. 12 is a back view of the outdoor wireless product enclosure for elevated mounting of FIG. 8;

FIG. 13 is a top view of the outdoor wireless product enclosure for elevated mounting of FIG. 8; and,

FIG. 14 is a bottom view of the outdoor wireless product enclosure for elevated mounting of FIG. 8.

The broken lines are for environment purposes only and form no part of the claimed design.

1 Claim, 10 Drawing Sheets



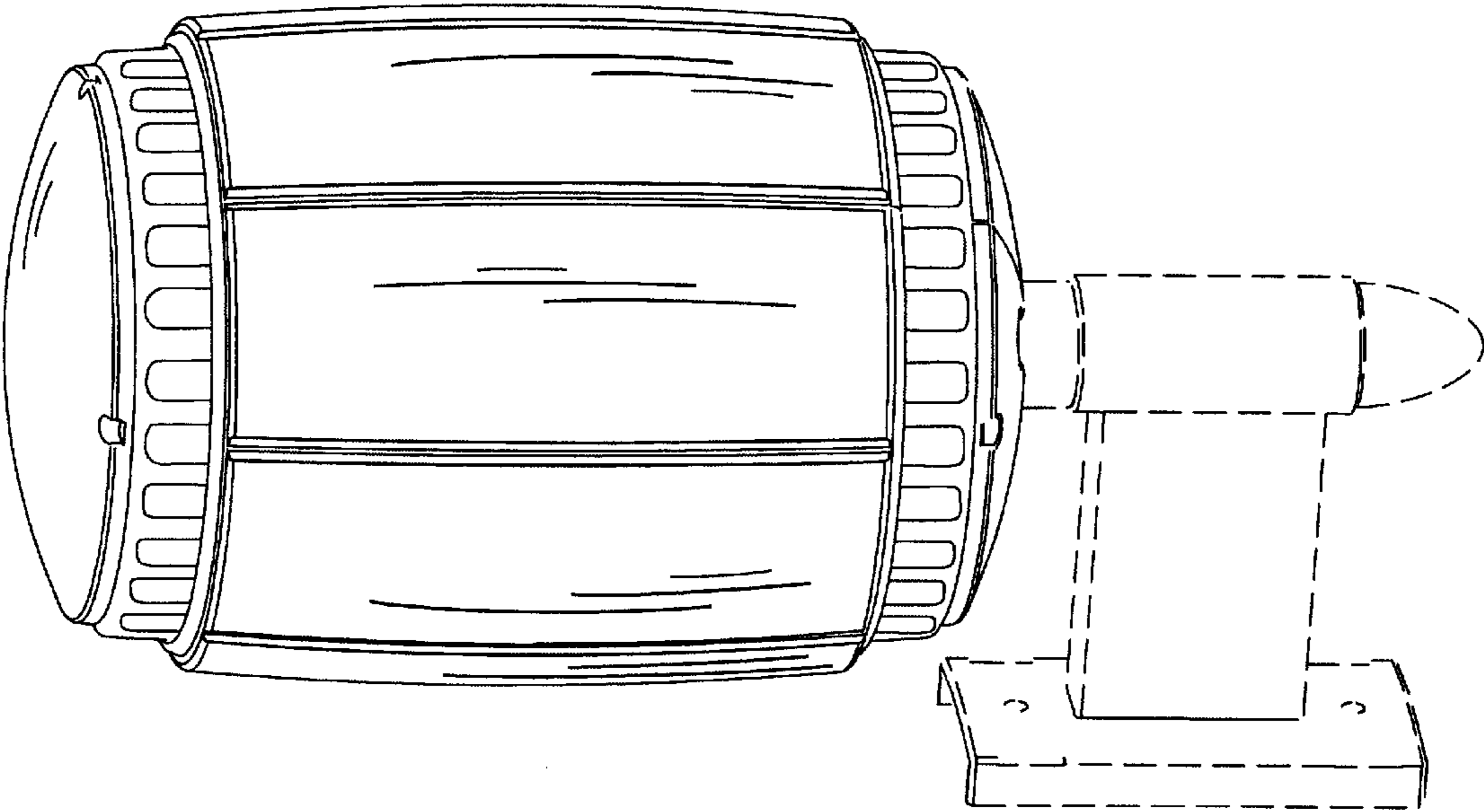


FIG. 1

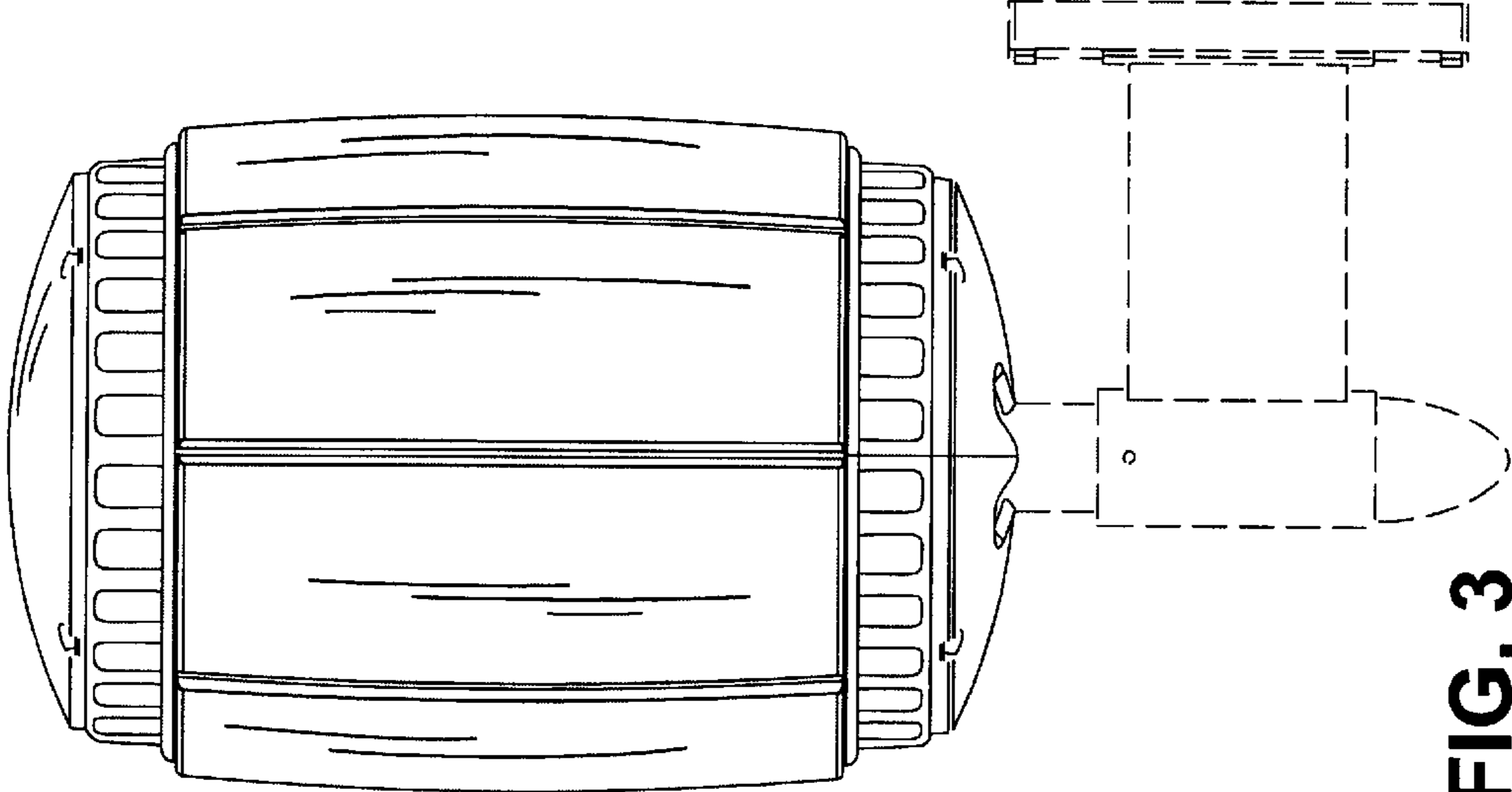


FIG. 3

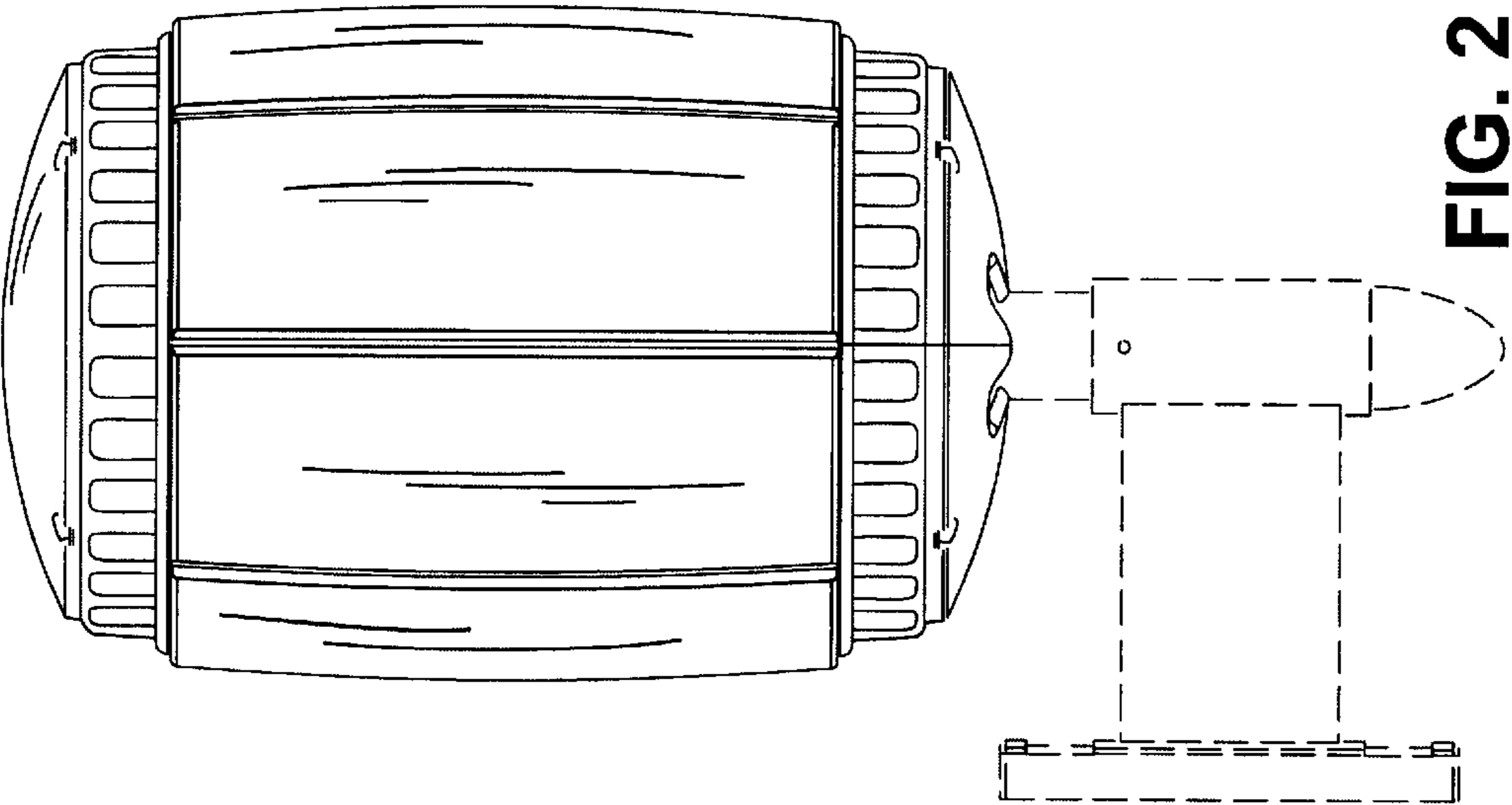


FIG. 2

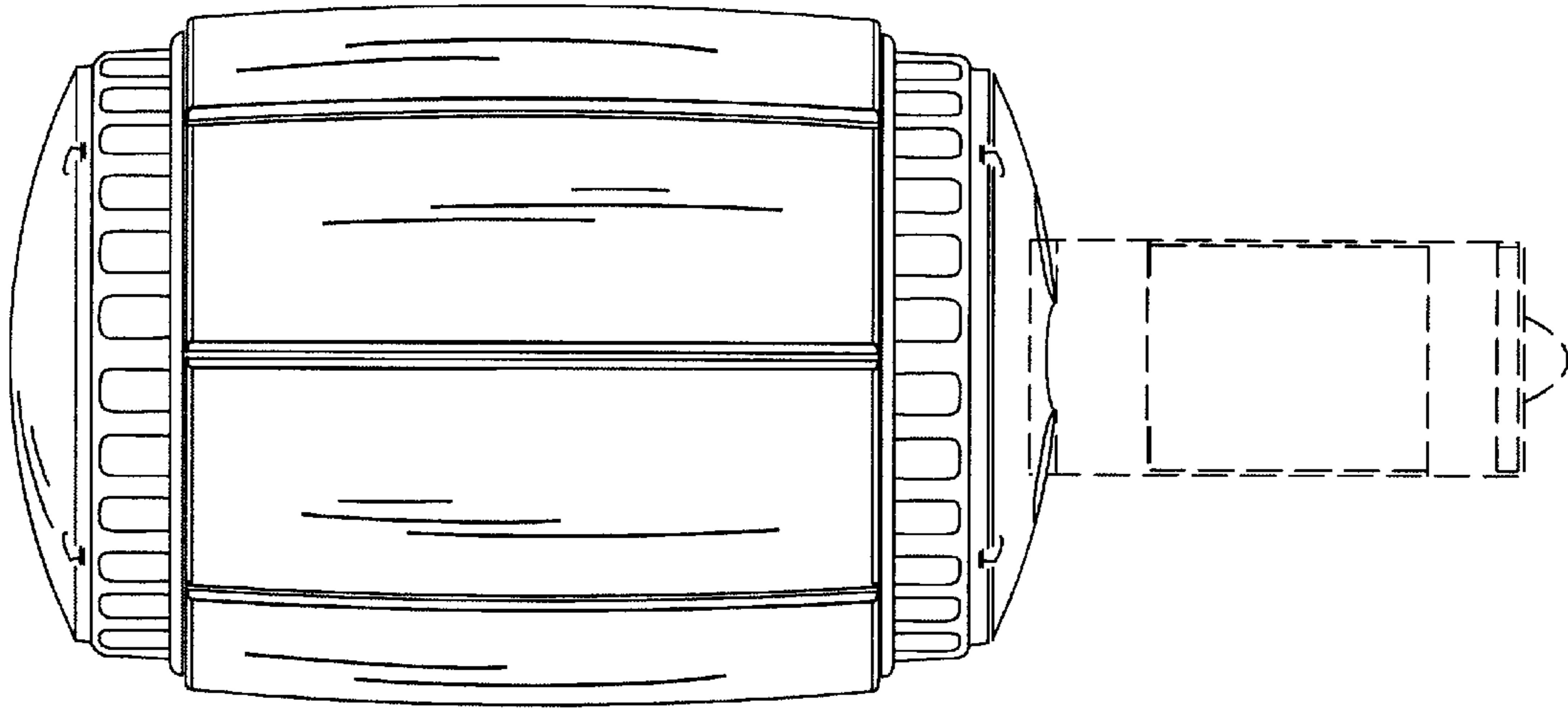


FIG. 5

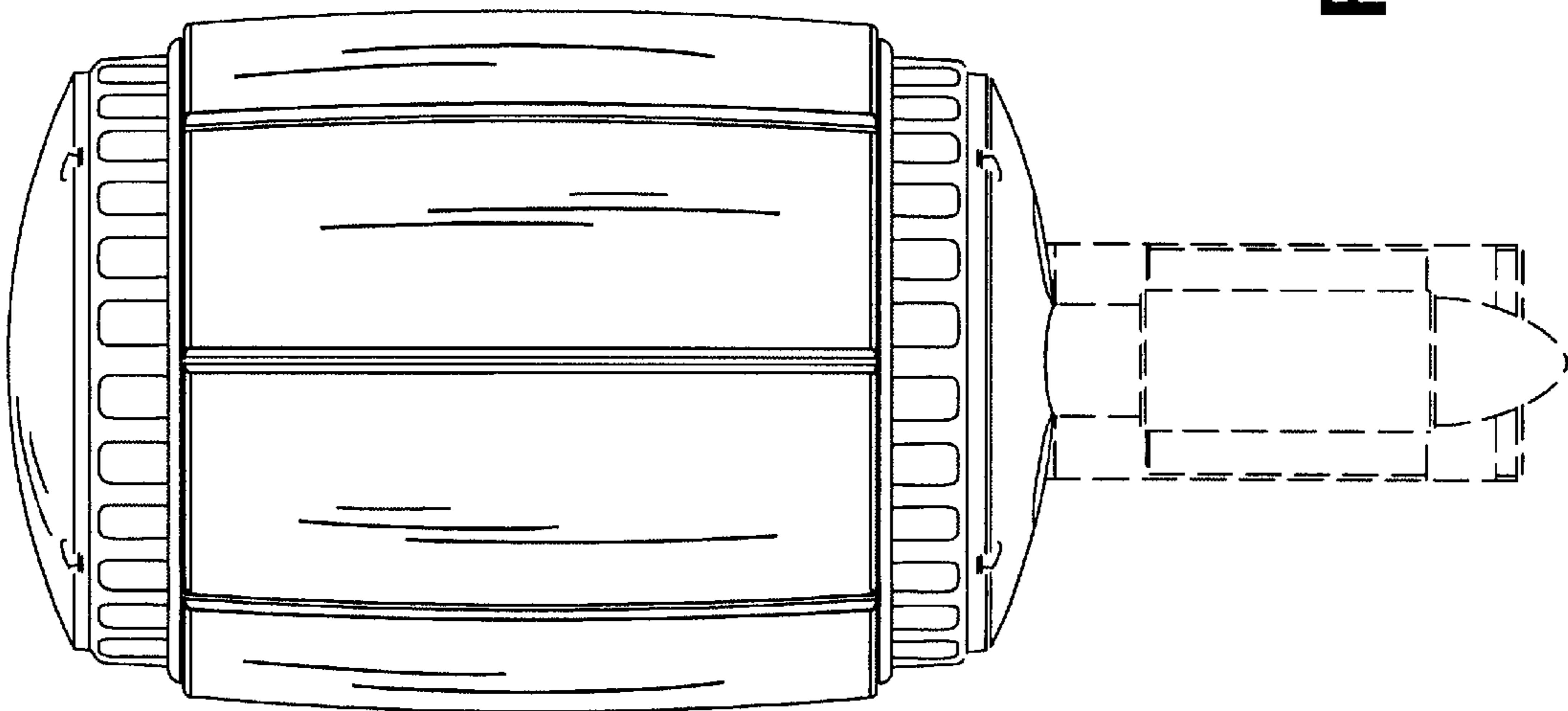


FIG. 4

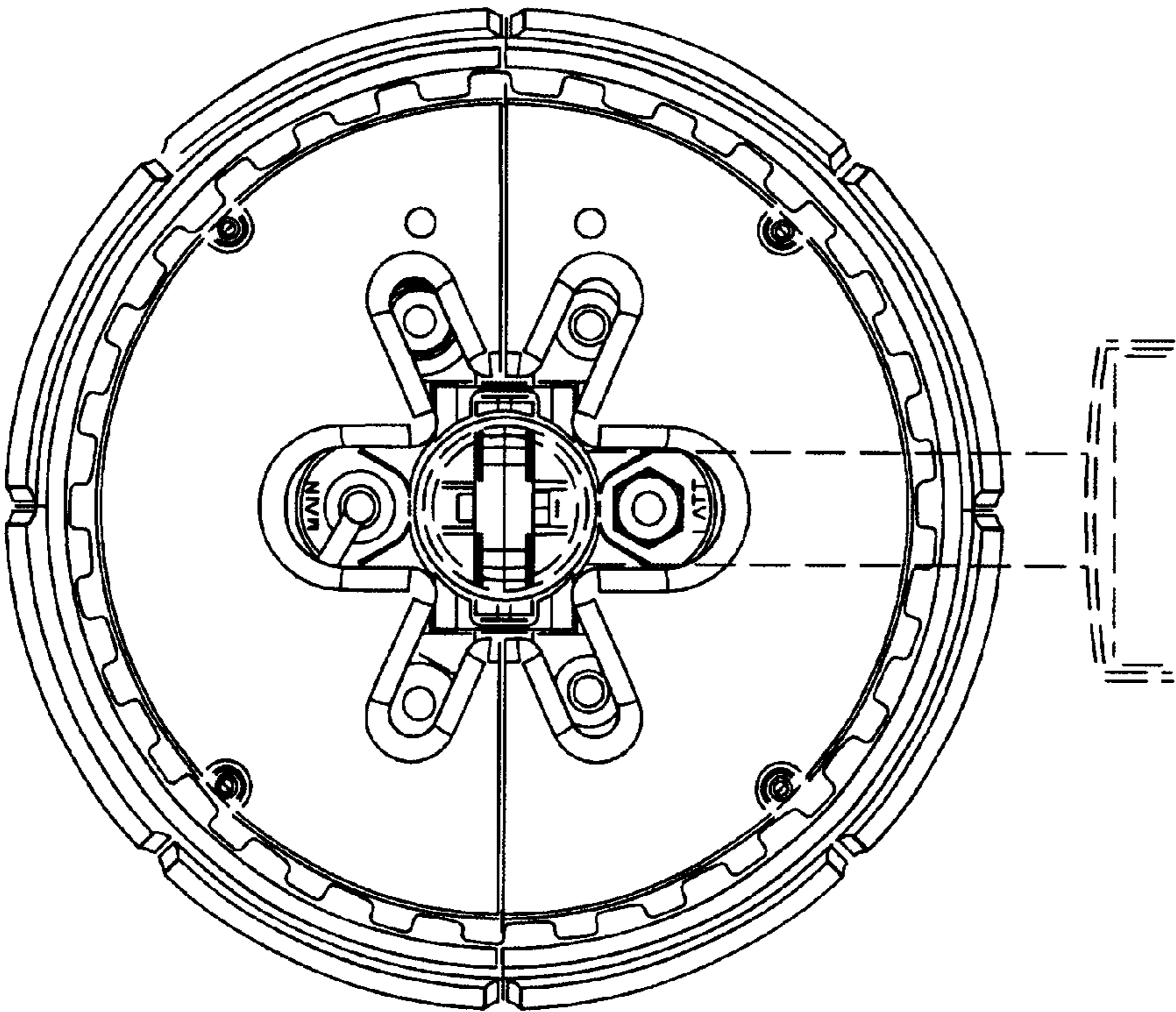


FIG. 6

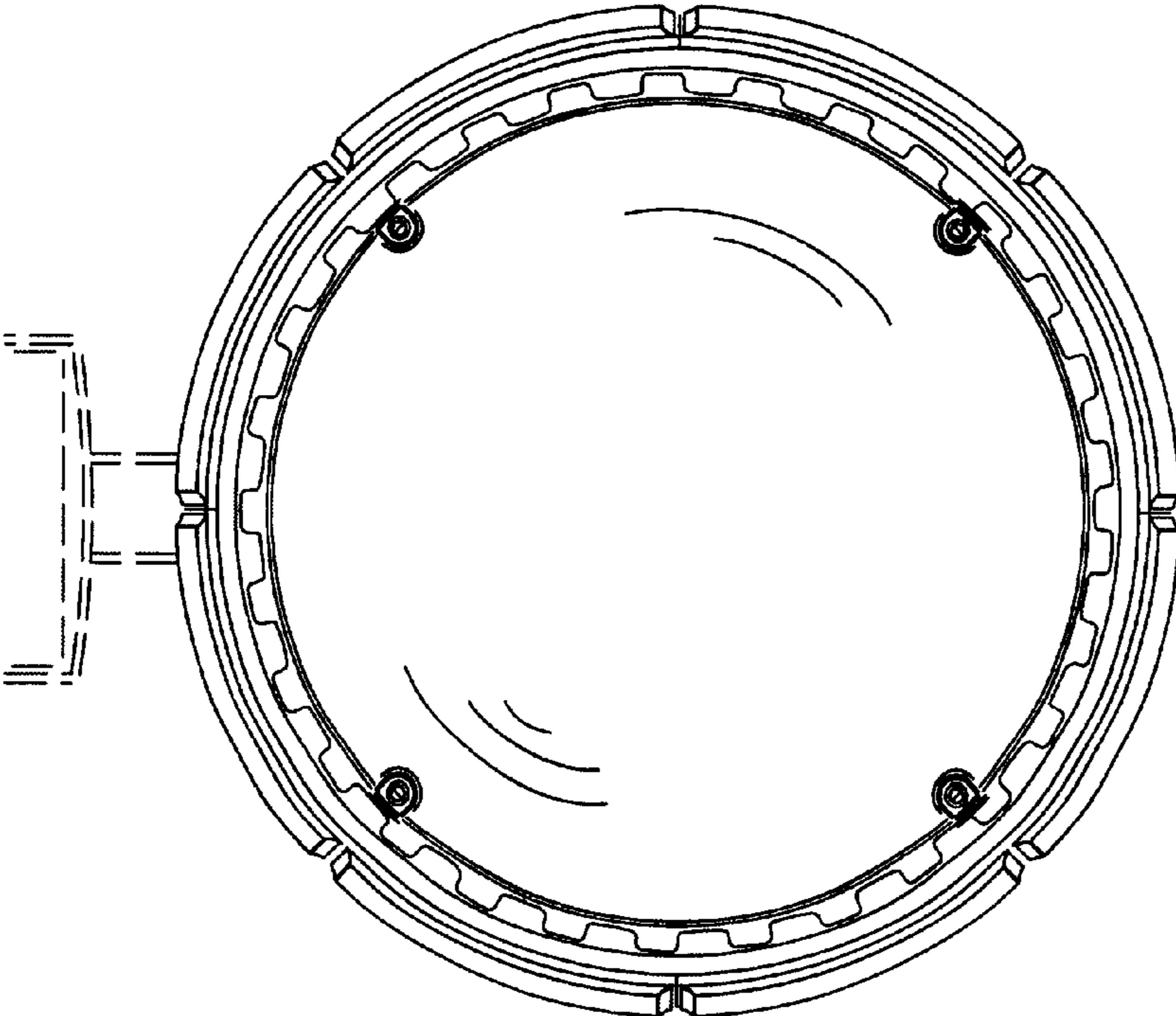


FIG. 7

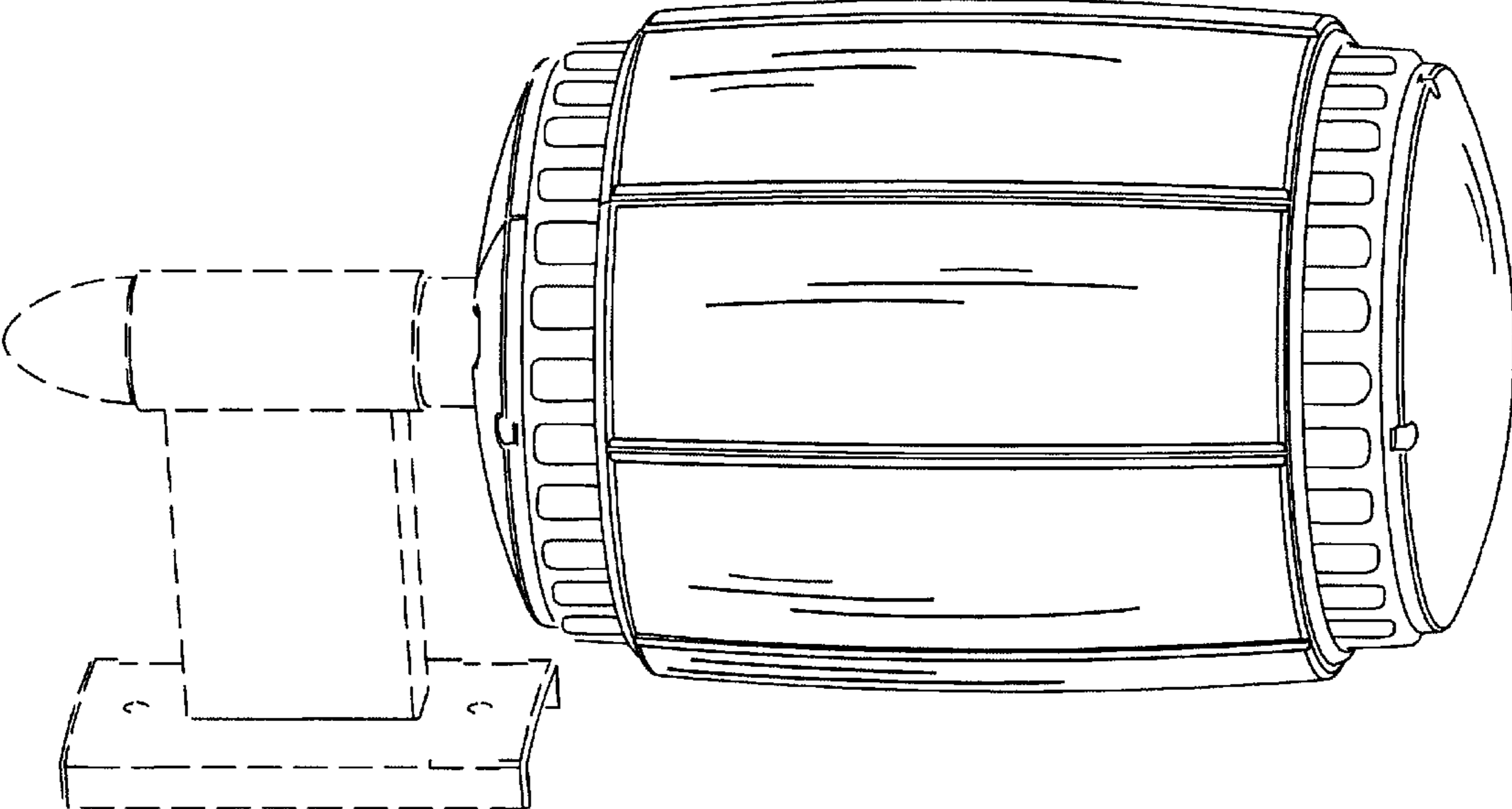


FIG. 8

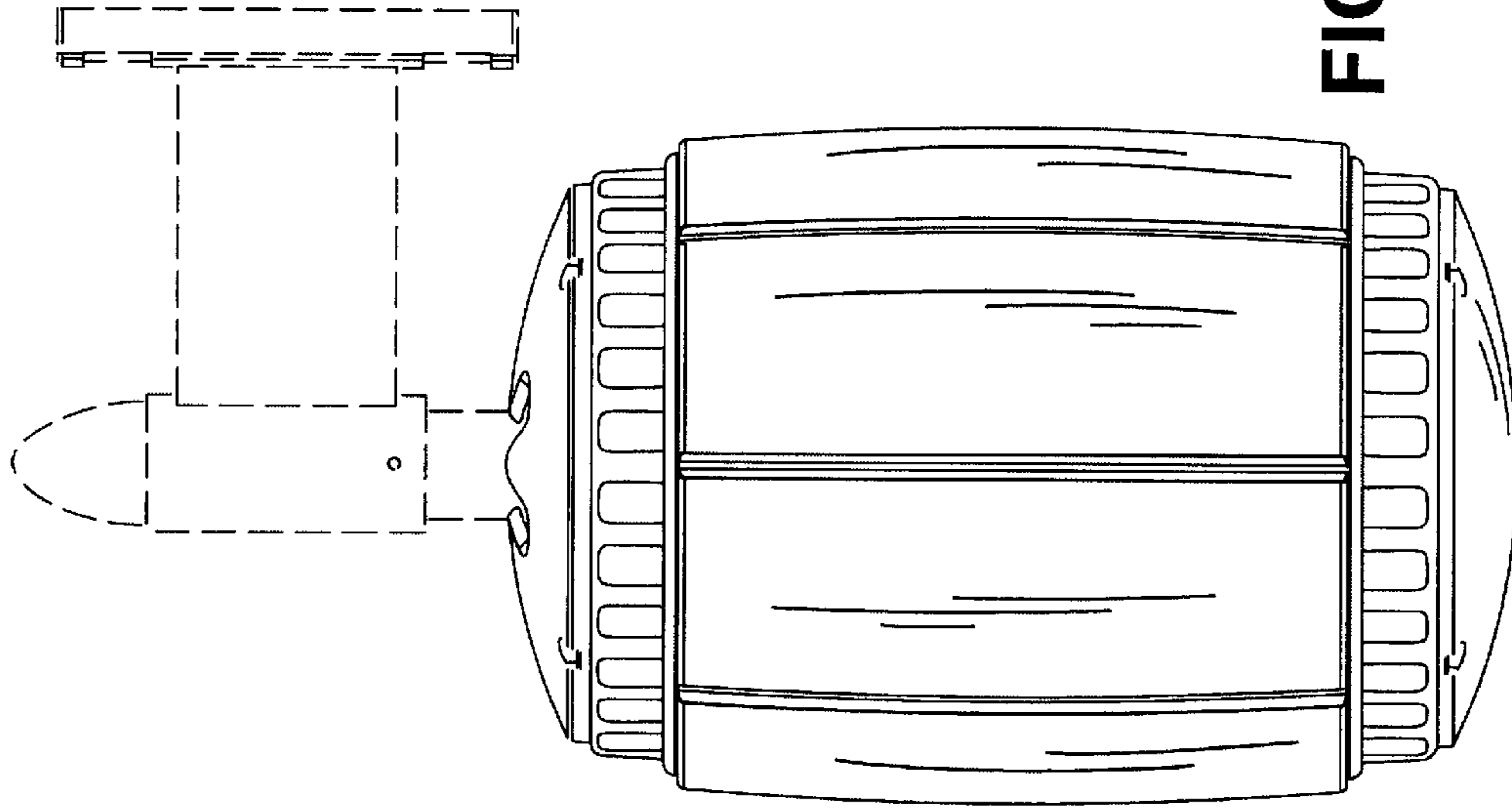


FIG. 9

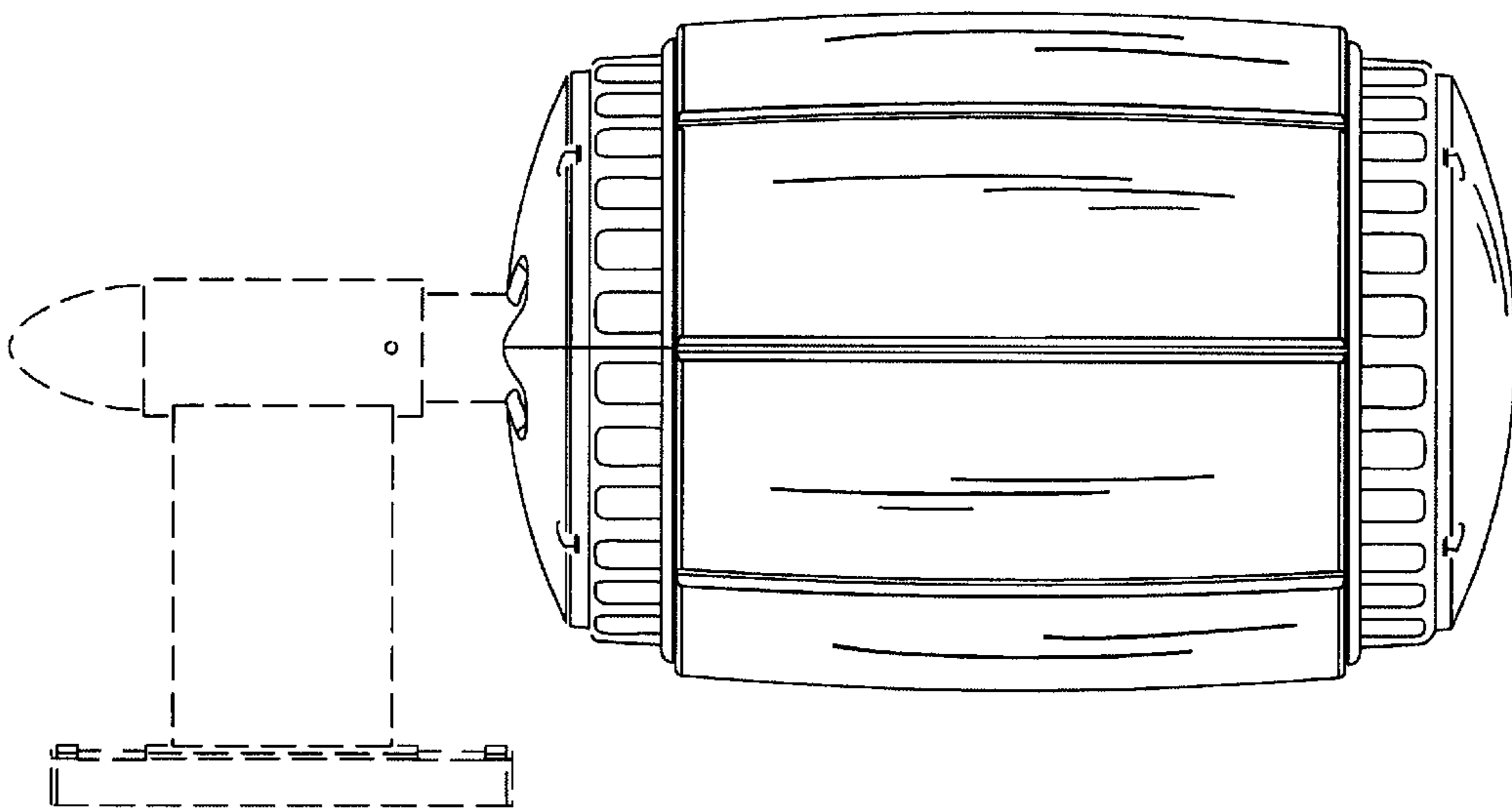


FIG. 10

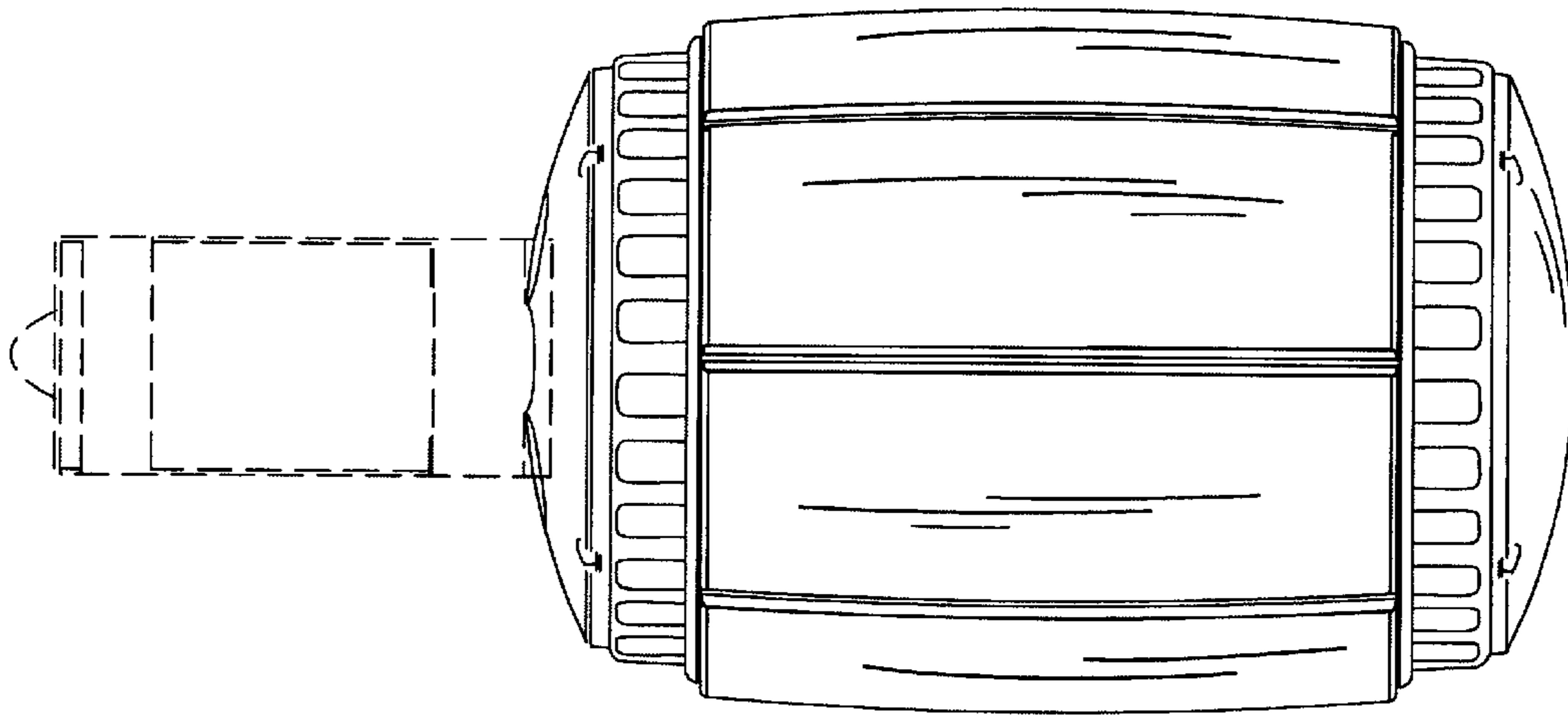


FIG. 12

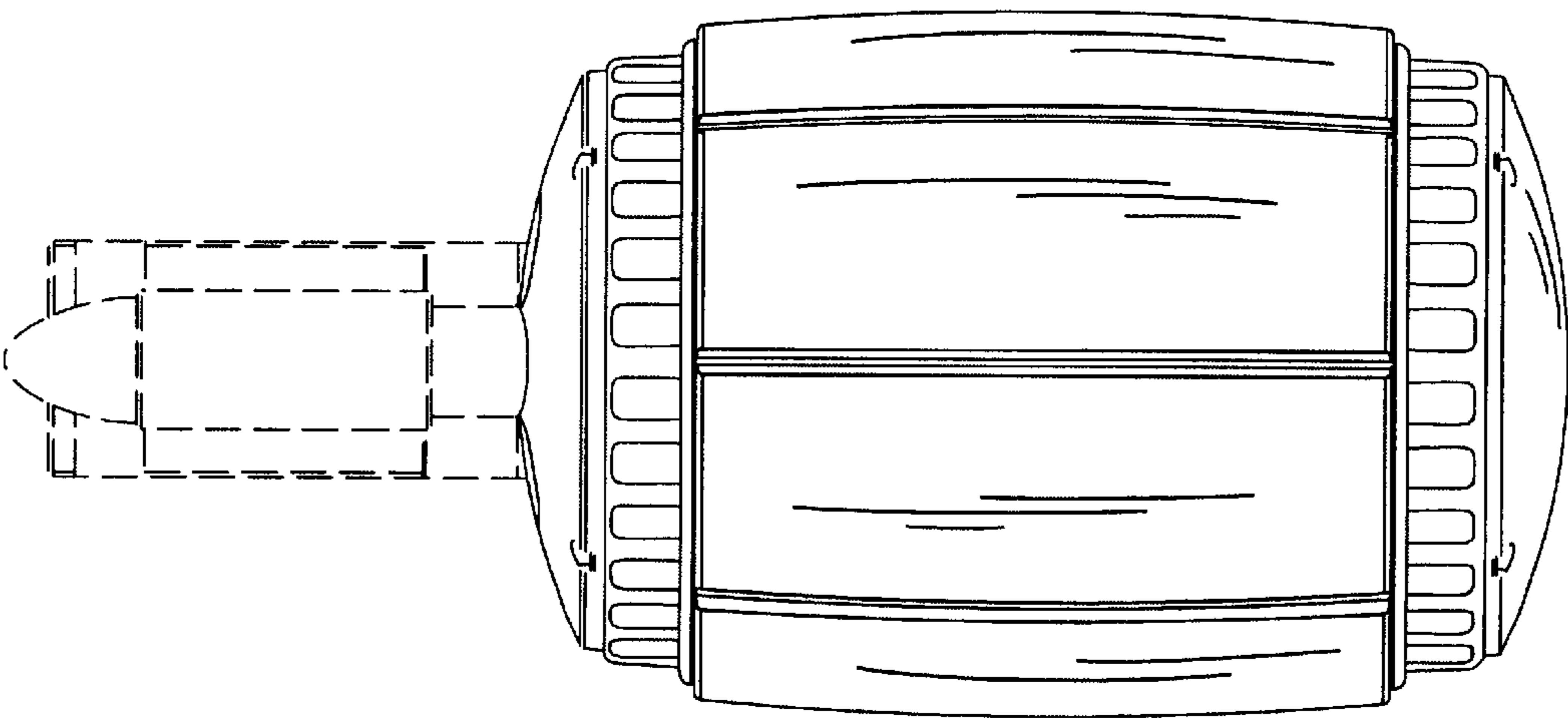


FIG. 11

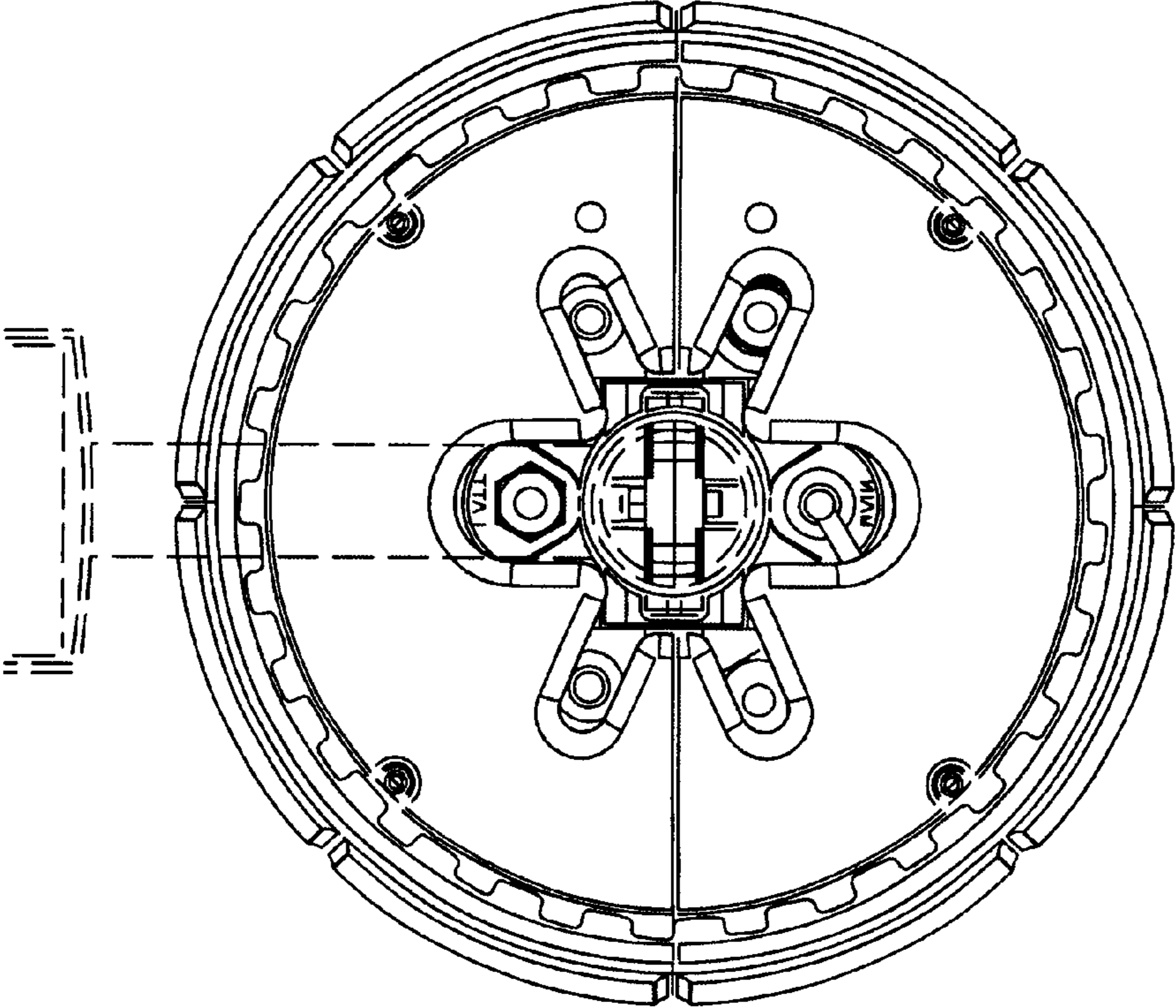


FIG. 13

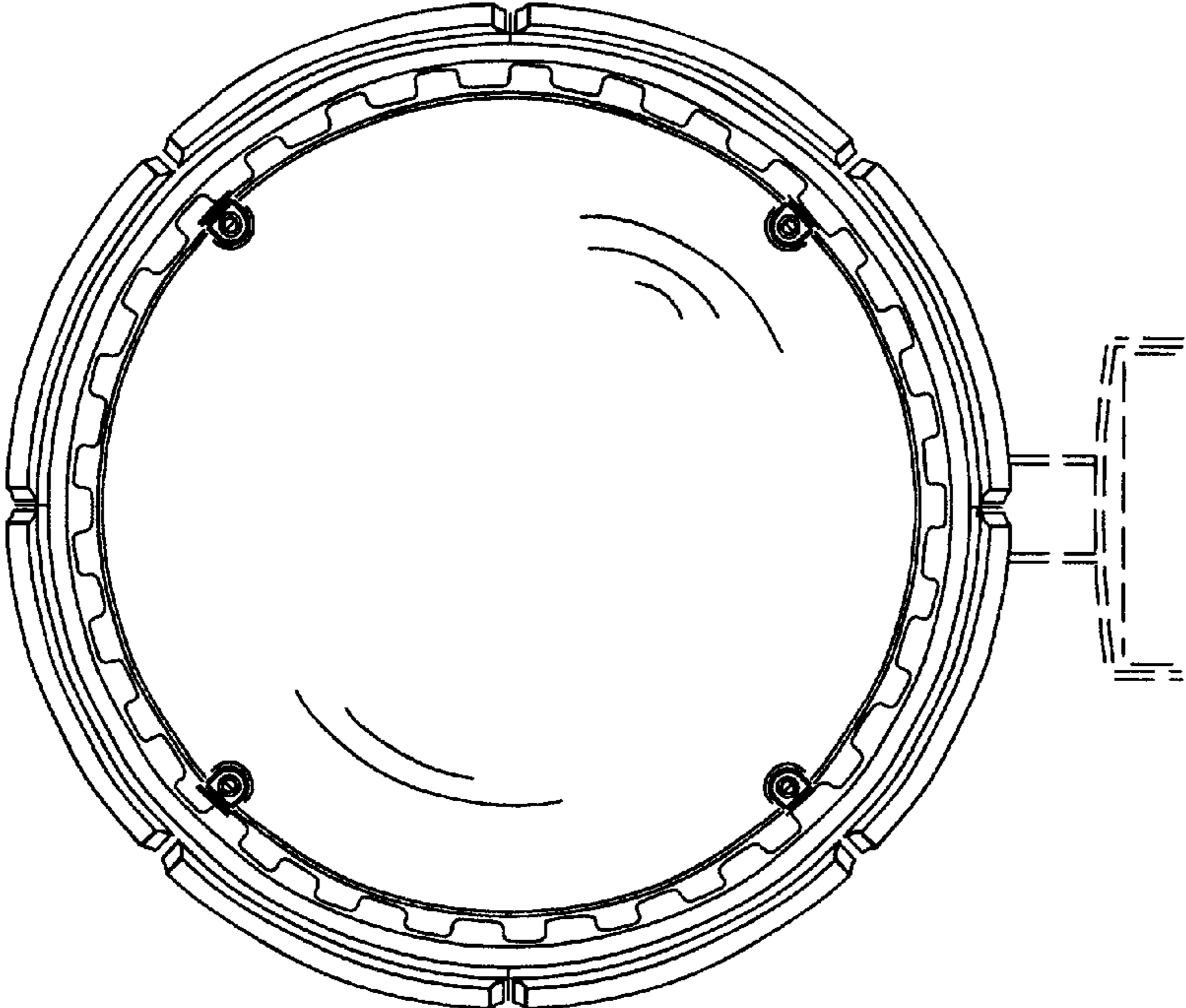


FIG. 14