



US00D501193S

(12) **United States Design Patent**  
**Tsuge**

(10) **Patent No.:** **US D501,193 S**  
(45) **Date of Patent:** **\*\* Jan. 25, 2005**

(54) **DISC PLAYER**

(75) Inventor: **Takahiro Tsuge, Tokyo (JP)**

(73) Assignee: **Sony Corporation, Tokyo (JP)**

(\*\*) Term: **14 Years**

(21) Appl. No.: **29/181,115**

(22) Filed: **May 6, 2003**

(51) **LOC (7) Cl.** ..... **14-01**

(52) **U.S. Cl.** ..... **D14/156**

(58) **Field of Search** ..... D14/135-136,  
D14/156-157, 160-165, 167-168, 192-198,  
217; 455/347-351; 369/75.1, 75.2, 77.1,  
77.2

Web page “PRV-R55,” <http://wwwbsc.pioneer.co.jp/prv-r55/prv-r55.html>, 1 sheet, Pioneer (Dec. 2002).

Web page “dv-s757a,” <http://www.pioneer.co.jp/catalog/dvd/dv-s757a.php>, 1 sheet, Pioneer (Dec. 2002).

Web page “DSP-AX1300,” <http://www.yamaha.co.jp/product/av/prd/dspav/dsp-ax1300/dsp-ax1300.html>, 1 sheet, Yamaha (Feb. 2003).

\* cited by examiner

*Primary Examiner*—Nanda Bondade

(74) *Attorney, Agent, or Firm*—Rader, Fishman & Grauer PLLC

(57) **CLAIM**

The ornamental design for a disc player, as shown.

(56) **References Cited**

**U.S. PATENT DOCUMENTS**

D311,915 S	*	11/1990	Hong	.....	D14/135
D377,350 S		1/1997	Niitsu		
D412,905 S		8/1999	Miyazaki et al.		
D431,033 S		9/2000	Takahashi et al.		
6,175,544 B1	*	1/2001	Shiomi	.....	369/75.2
D467,567 S		12/2002	Tsuge		
D475,357 S	*	6/2003	Tejima	.....	D14/135

**OTHER PUBLICATIONS**

Web page “XV-Q10-S DVD Player,” <http://www.yodobashi.com/enjoy/i.jsp?oid=2396343>, 1 sheet, Yodobashi Camera (Dec. 2002).

**DESCRIPTION**

FIG. 1 is a perspective view of a disc player showing my new design;

FIG. 2 is a front elevational view thereof;

FIG. 3 is a rear elevational view thereof;

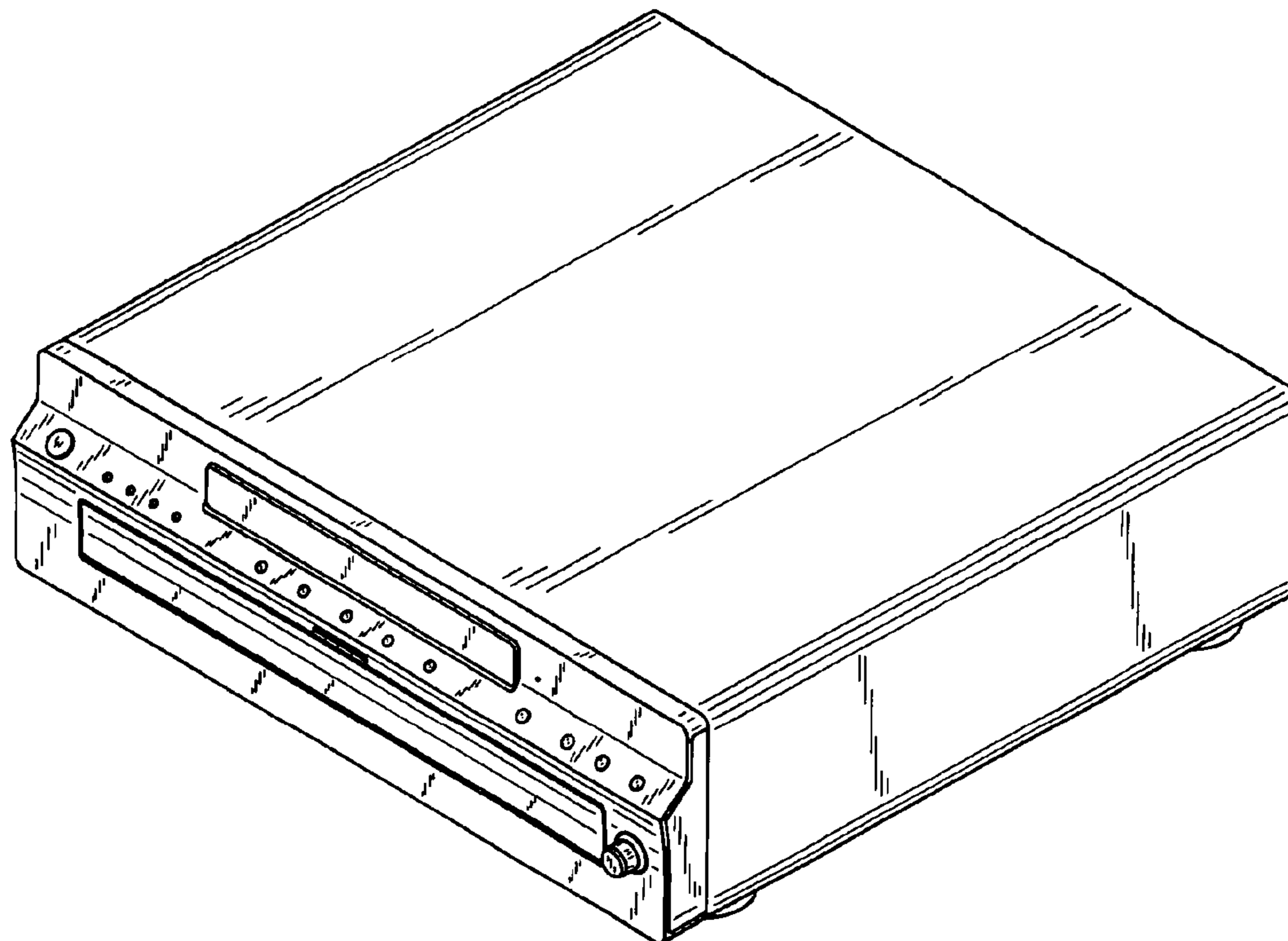
FIG. 4 is a left side elevational view thereof;

FIG. 5 is a right side elevational view thereof;

FIG. 6 is a top plan view thereof; and,

FIG. 7 is a bottom plan view thereof.

**1 Claim, 5 Drawing Sheets**



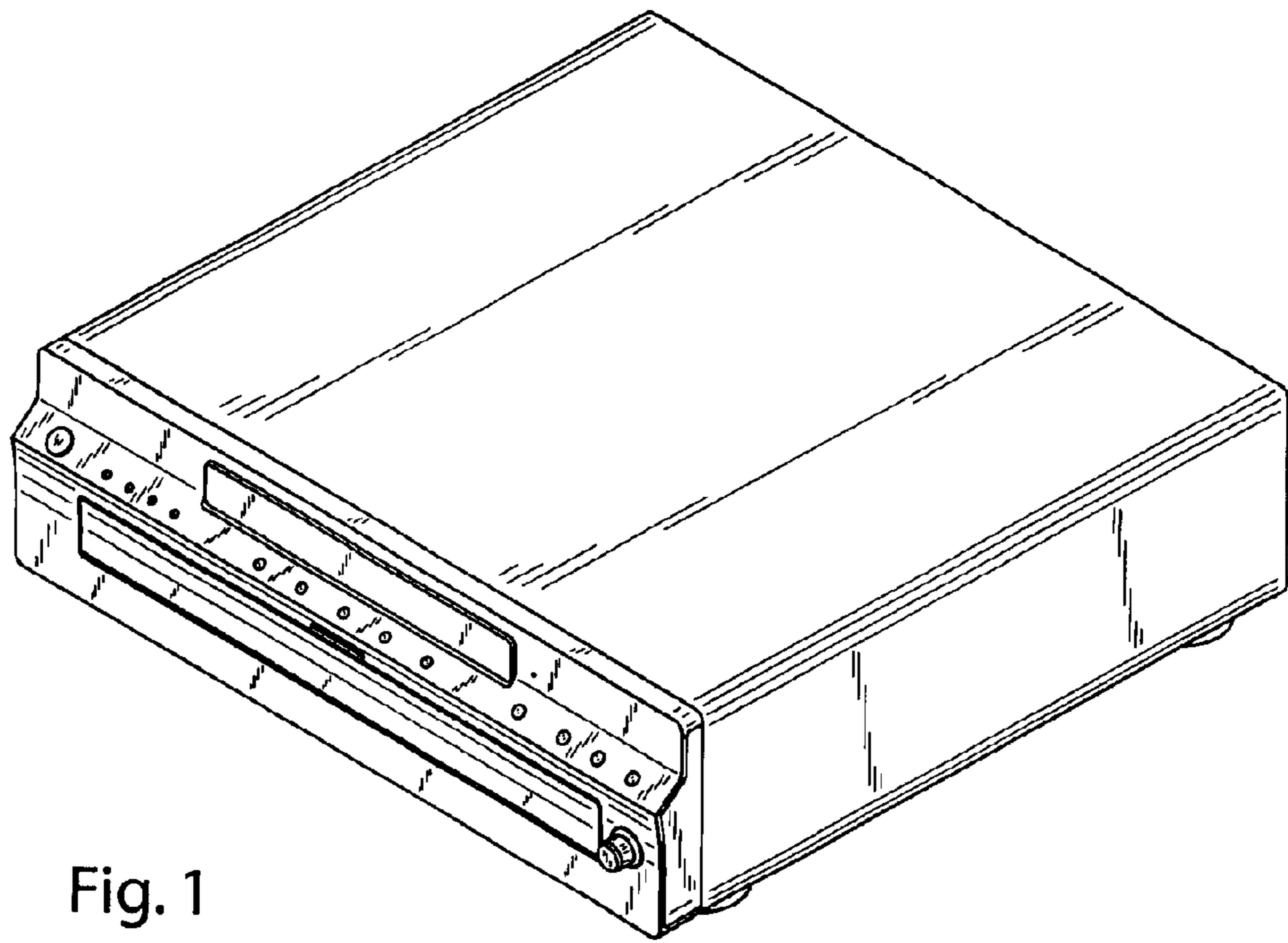


Fig. 1

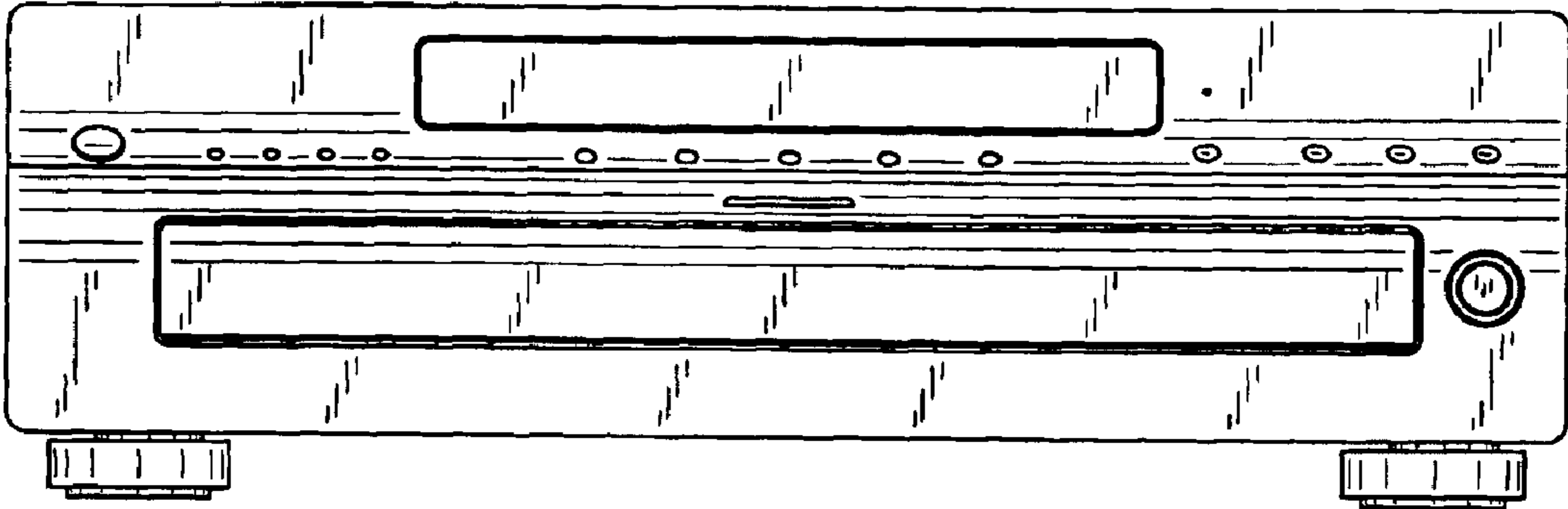


Fig. 2

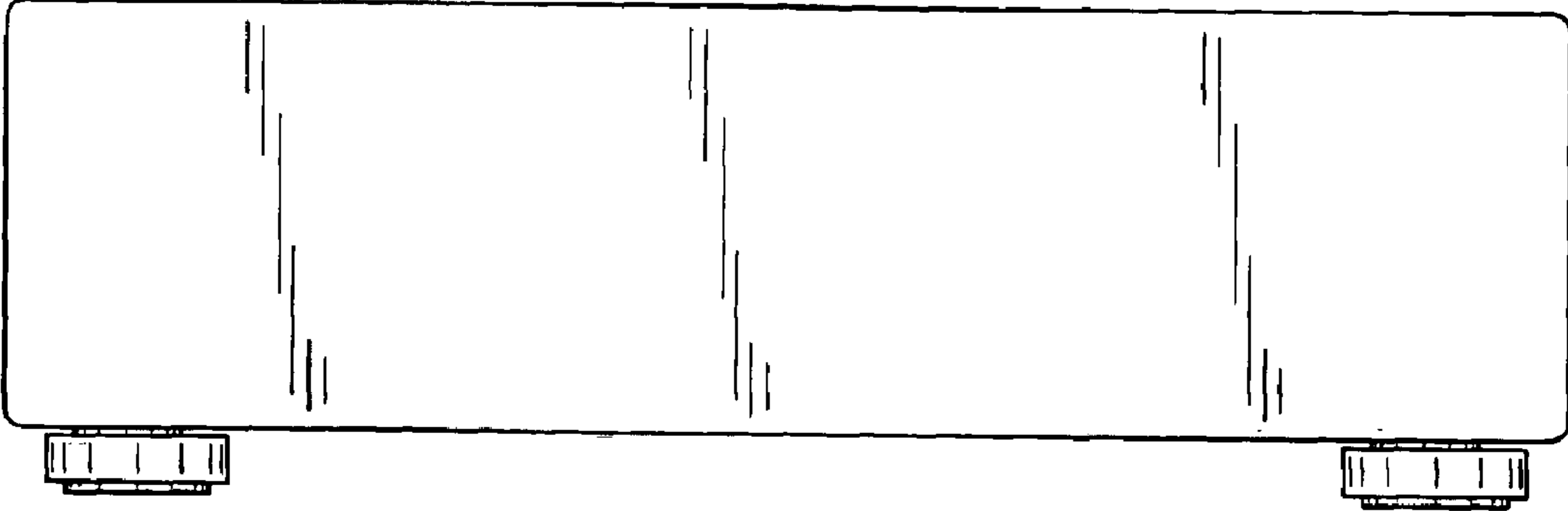


Fig. 3

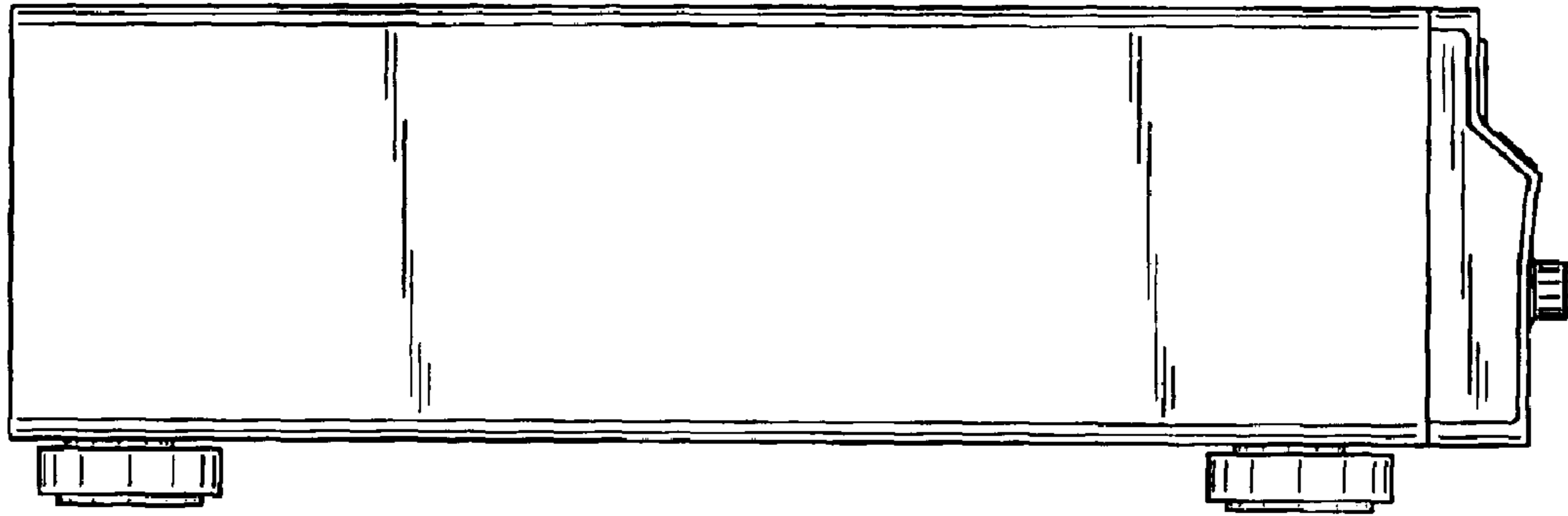


Fig. 4

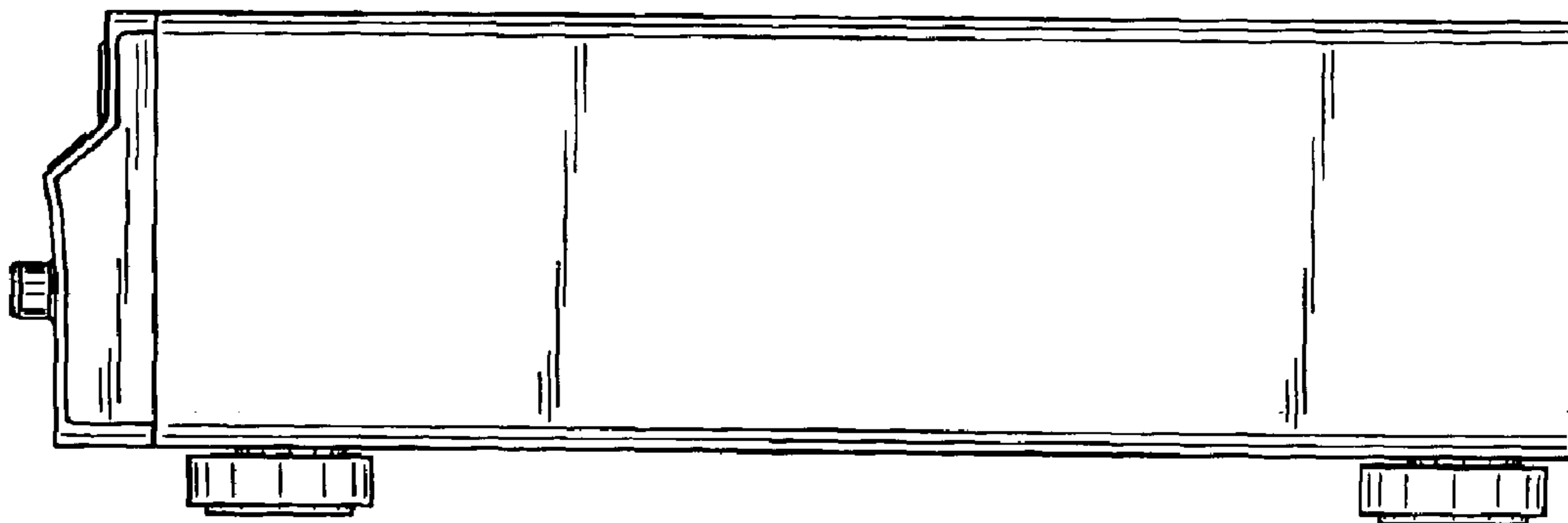


Fig. 5

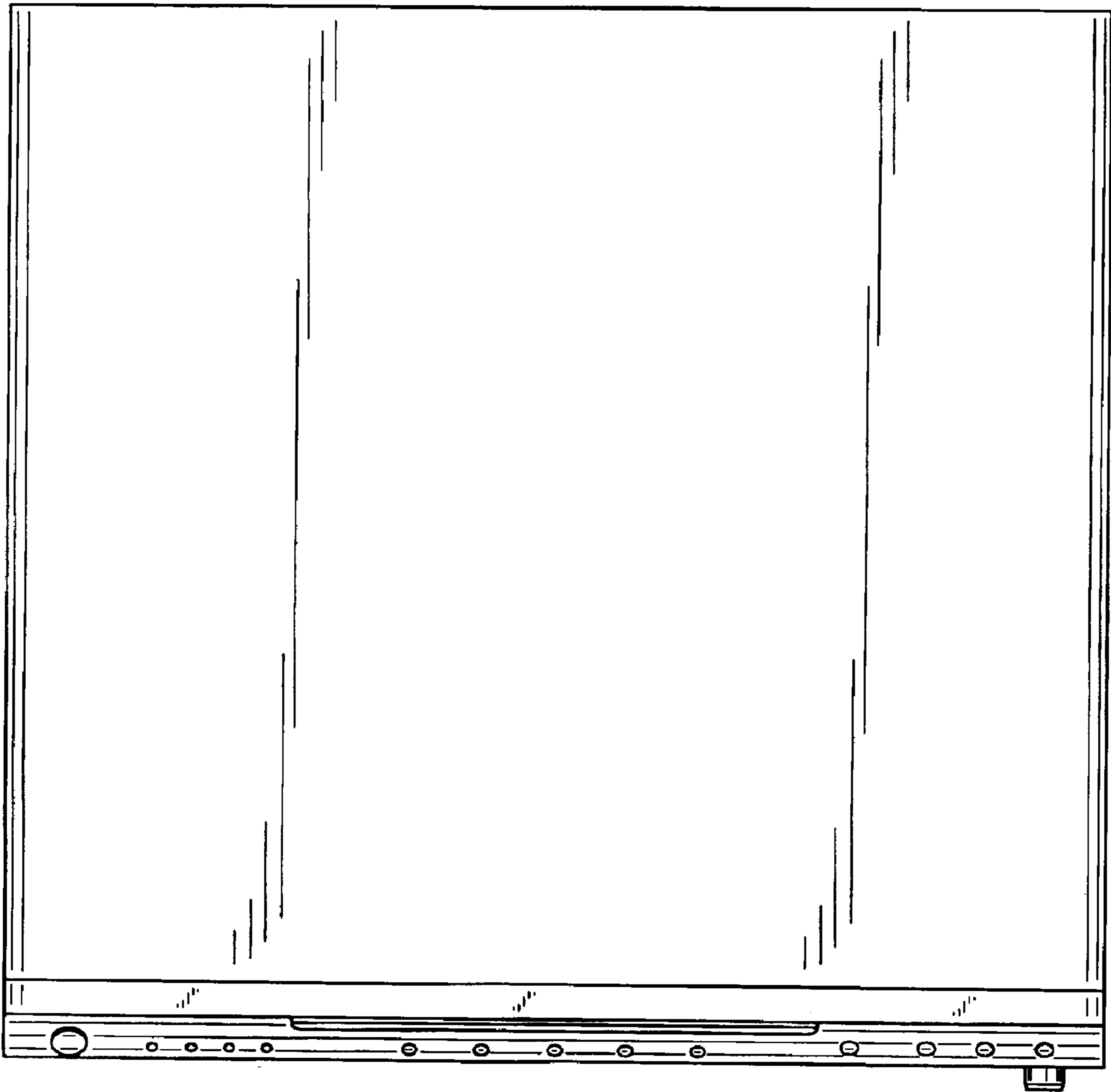


Fig. 6

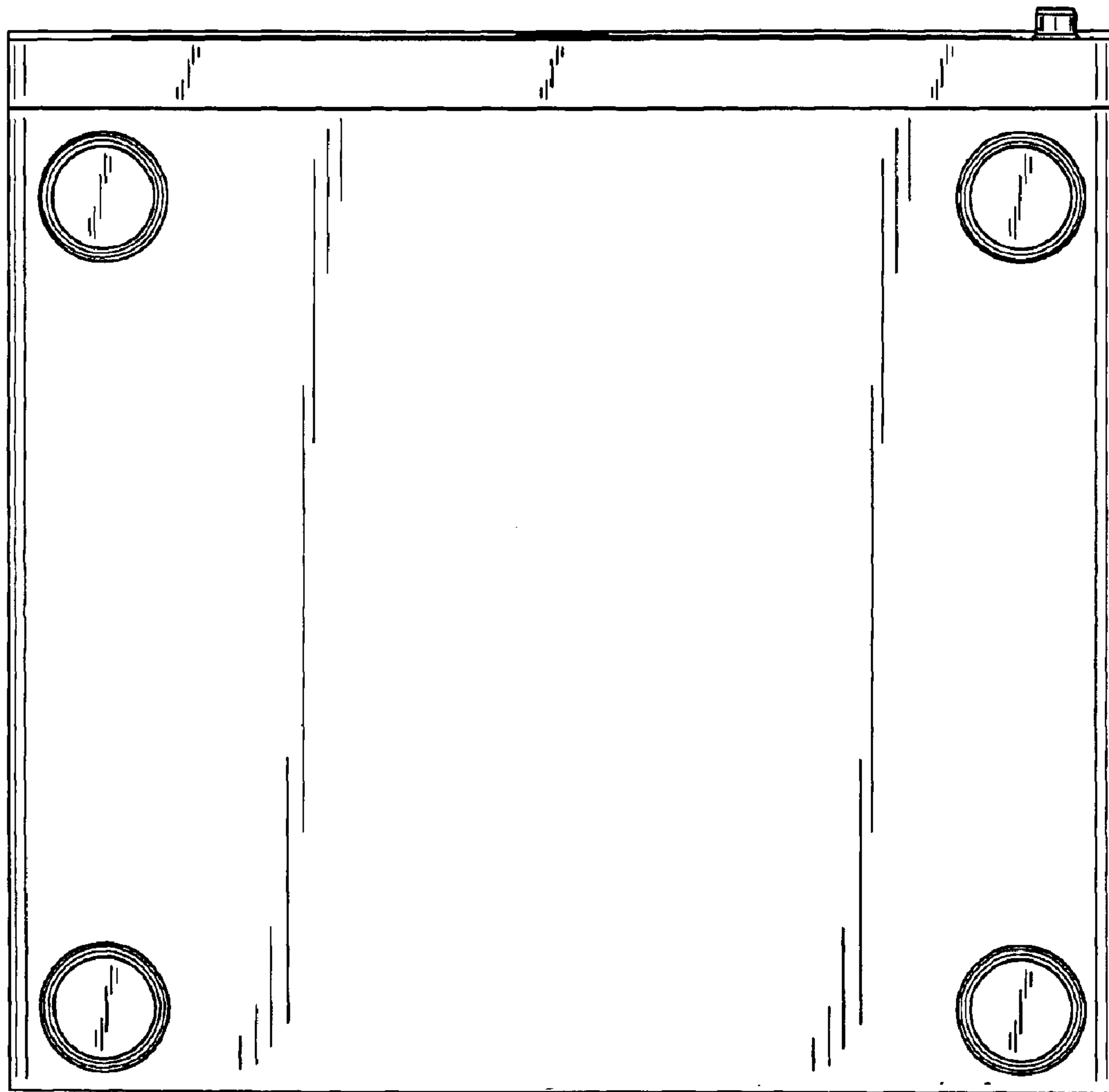


Fig. 7