

US00D501192S

(12) **United States Design Patent**  
**Griffin**

(10) **Patent No.:** **US D501,192 S**

(45) **Date of Patent:** **\*\* Jan. 25, 2005**

(54) **RADIO TRANSMITTER WHICH IS CONNECTABLE TO A COMPUTER OR AN MP3 PLAYER DEVICE**

D415,102 S \* 10/1999 Suzuki et al. .... D13/133  
D442,932 S \* 5/2001 Koike ..... D14/155

\* cited by examiner

(76) Inventor: **Paul Griffin**, 2573 Devon Valley Dr.,  
Nashville, TN (US) 37221

*Primary Examiner*—Nanda Bondade

(74) *Attorney, Agent, or Firm*—Michael E. McKee

(\*\*) Term: **14 Years**

(57) **CLAIM**

(21) Appl. No.: **29/199,262**

The ornamental design for a radio transmitter which is connectable to a computer or an MP3 player device, as shown and described.

(22) Filed: **Feb. 11, 2004**

**Related U.S. Application Data**

**DESCRIPTION**

(62) Division of application No. 29/187,242, filed on Jul. 29, 2003, now Pat. No. Des. 489,701.

FIG. 1 is a perspective view of a radio transmitter showing my new design;

(51) **LOC (7) Cl.** ..... **14-03**

FIG. 2 is a top view thereof;

(52) **U.S. Cl.** ..... **D14/155**

FIG. 3 is a front elevational view thereof;

(58) **Field of Search** ..... D13/108, 133;  
D14/155, 230; 381/74, 169, 188; 455/89-90

FIG. 4 is a side elevational view thereof as seen from the left in FIG. 3;

(56) **References Cited**

FIG. 5 is a side elevational view as seen from the right in FIG. 3;

**U.S. PATENT DOCUMENTS**

FIG. 6 is a bottom view thereof; and,

FIG. 7 is a rear elevational view thereof.

D320,986 S \* 10/1991 Suckley ..... D14/155  
D373,756 S \* 9/1996 Chen ..... D13/108

**1 Claim, 2 Drawing Sheets**

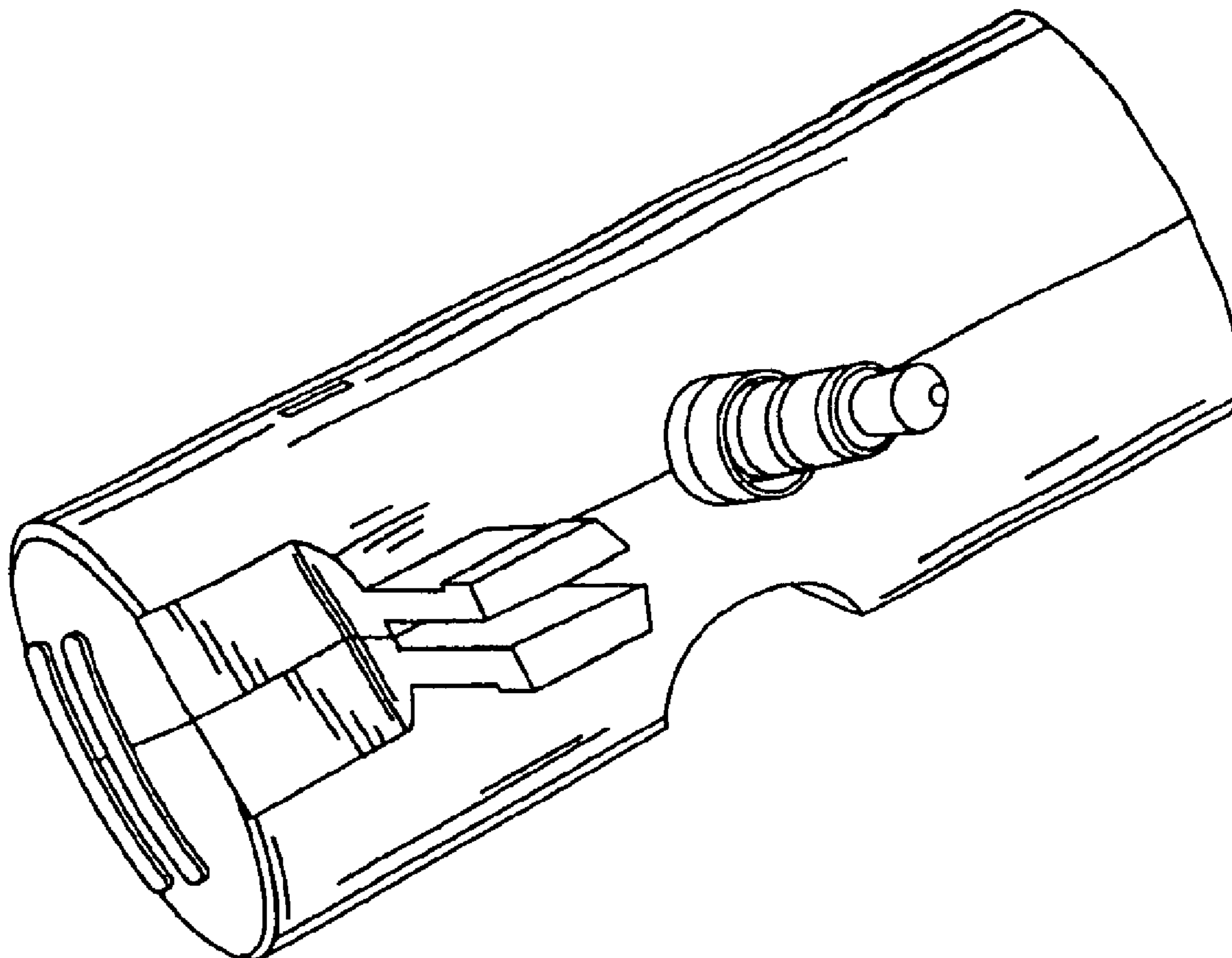


FIG. 1

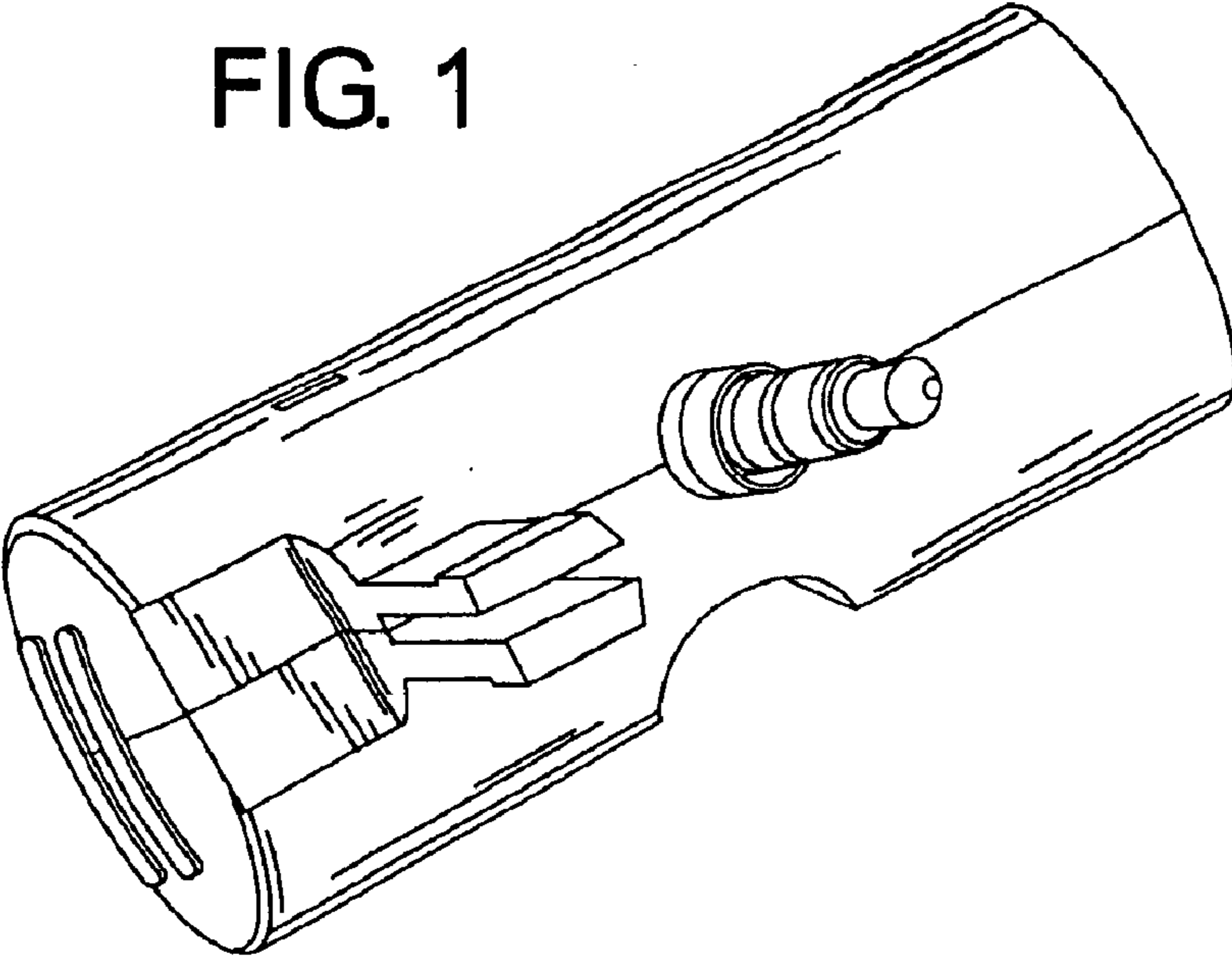


FIG. 2

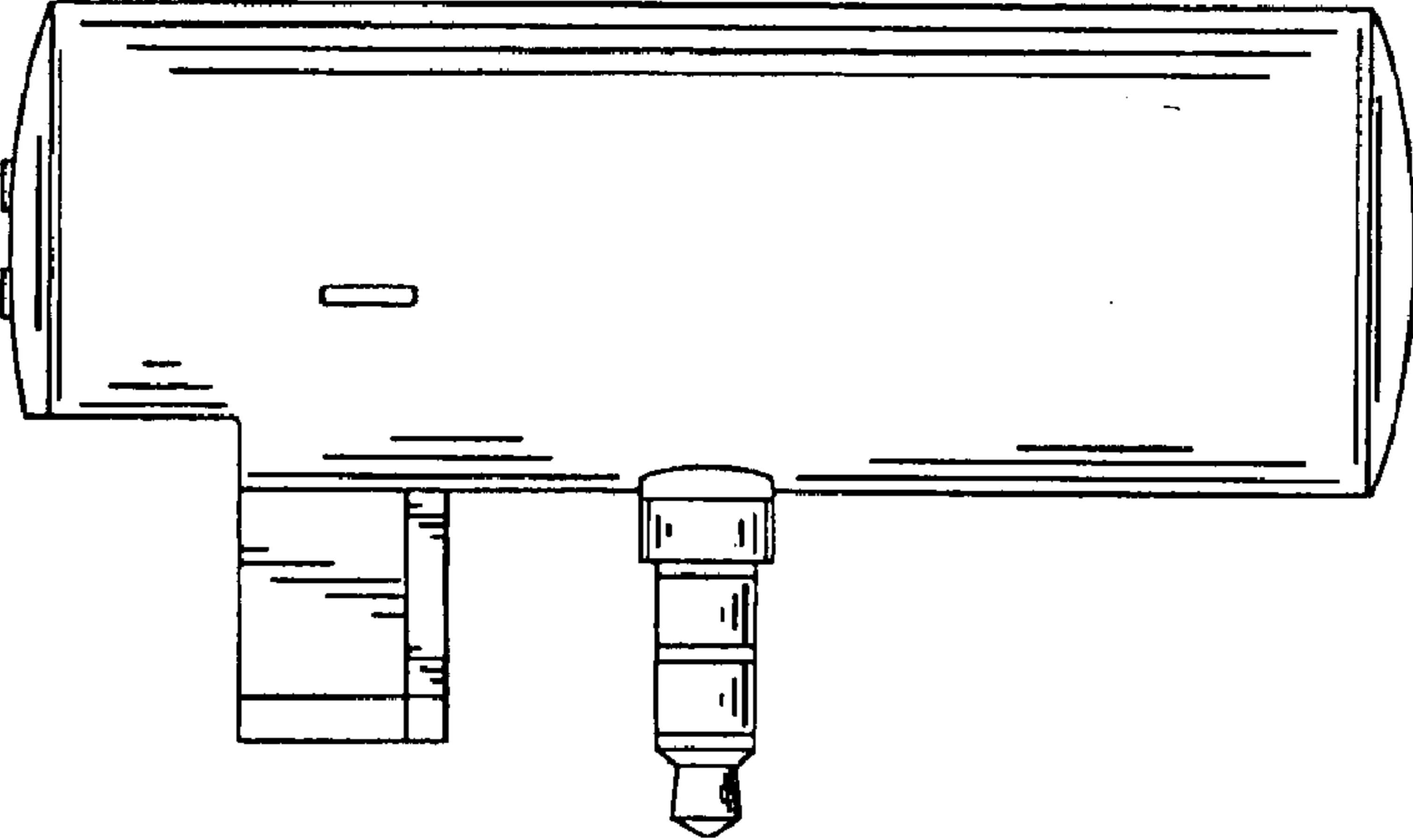


FIG. 3

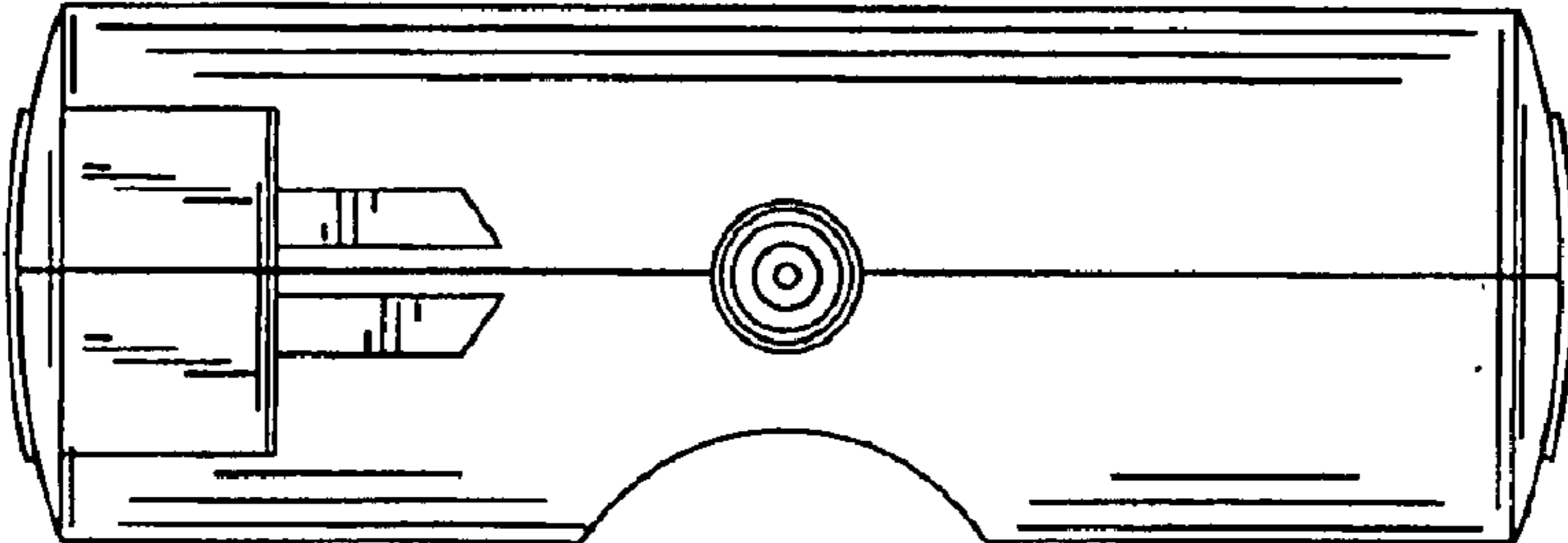


FIG. 4

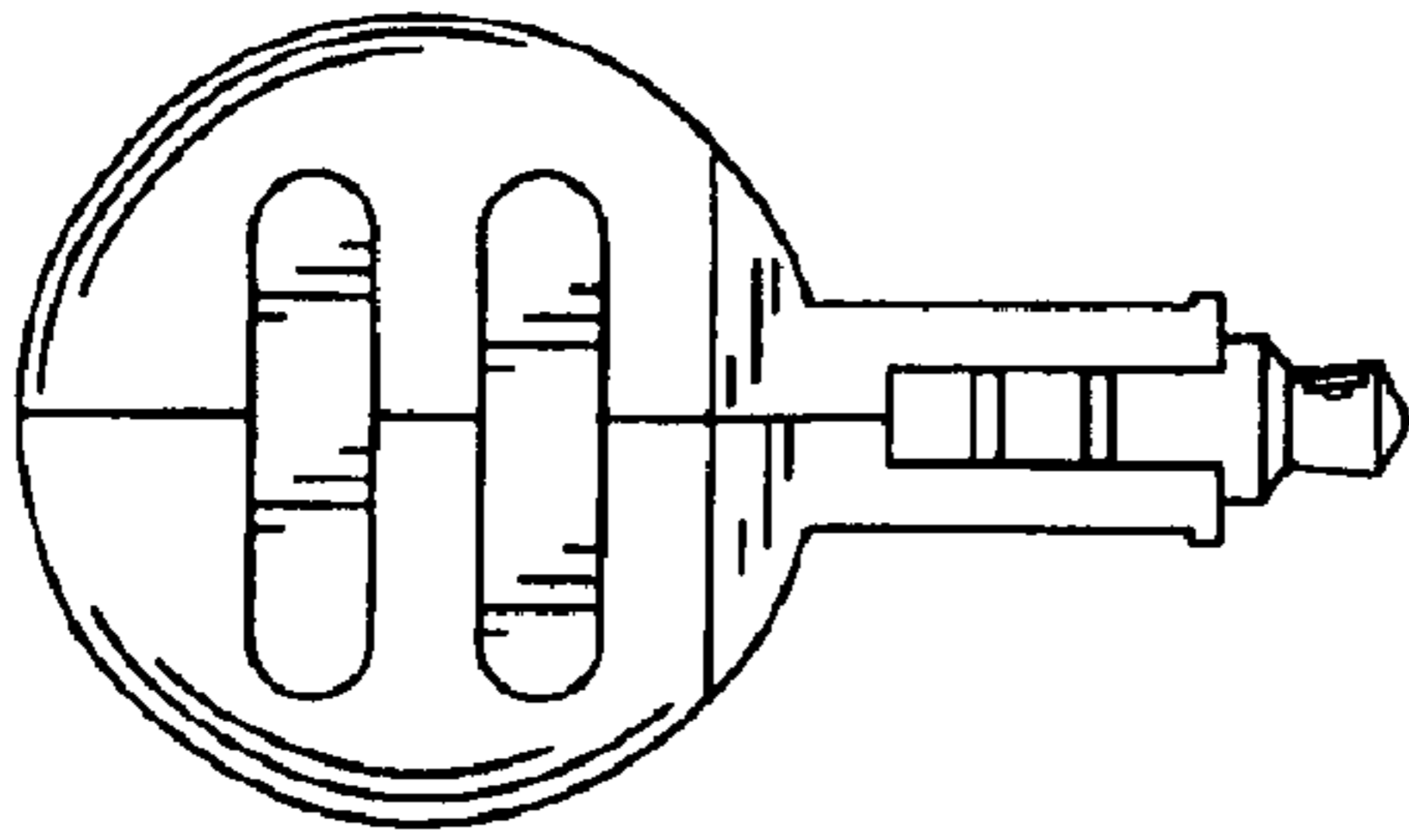


FIG. 5

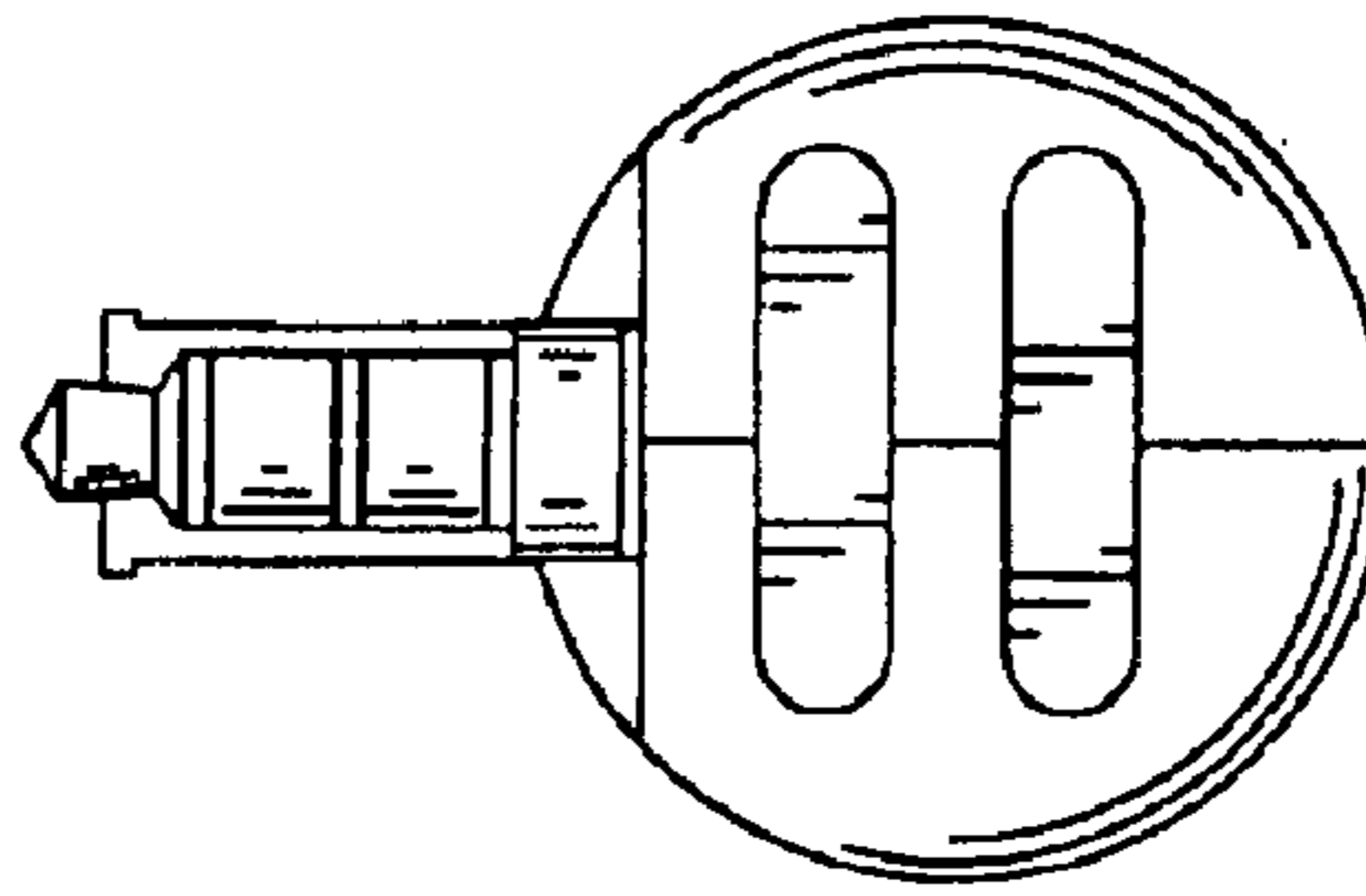


FIG. 6

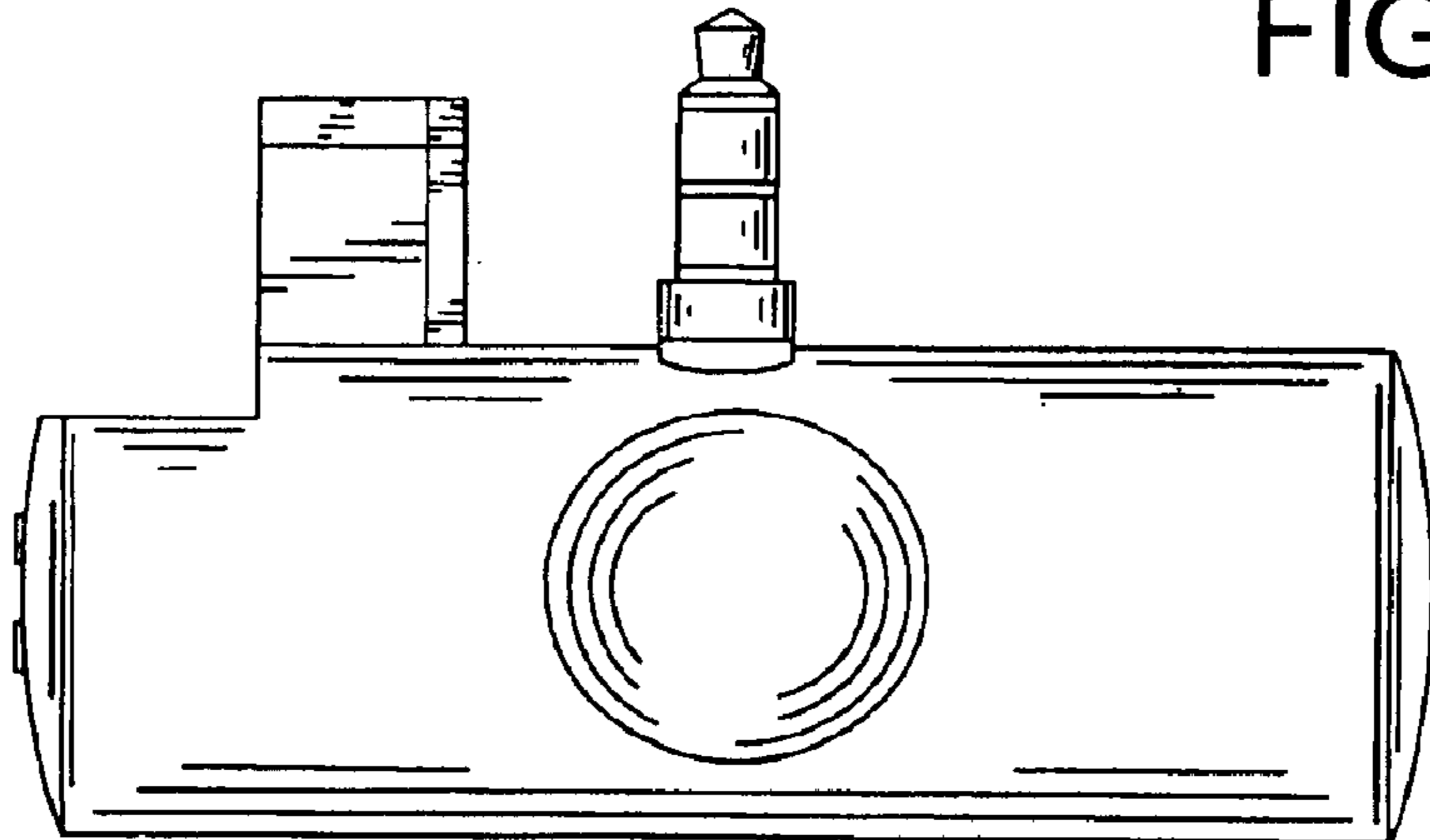


FIG. 7

