

US00D501185S

(12) **United States Design Patent**
Sato et al.

(10) **Patent No.: US D501,185 S**
(45) **Date of Patent: ** Jan. 25, 2005**

(54) **MONITOR/TELEVISION RECEIVER**

(75) Inventors: **Toshiaki Sato**, Tokyo (JP); **Shigeaki Suzuki**, Tokyo (JP)

(73) Assignee: **Sony Corporation**, Tokyo (JP)

(**) Term: **14 Years**

(21) Appl. No.: **29/190,514**

(22) Filed: **Sep. 23, 2003**

(51) **LOC (7) Cl. 14-03**

(52) **U.S. Cl. D14/126**

(58) **Field of Search** D14/125-136,
D14/239, 371, 374-375, 451; D6/300; 312/7.2;
348/836, 838, 180, 184, 325, 730; 345/905,
104, 133, 168, 87, 173; 248/917-924; 341/12

(56) **References Cited**

U.S. PATENT DOCUMENTS

D323,324 S	*	1/1992	Suda	D14/375
5,100,098 A	*	3/1992	Hawkins	D14/451
D388,077 S	*	12/1997	Starck	D6/300
D403,670 S	*	1/1999	Liao	D14/126
D414,164 S	*	9/1999	Rorke et al.	D14/374
D415,147 S	*	10/1999	Adachi	D14/132
D429,227 S	*	8/2000	Shimizu	D14/126
D438,849 S	*	3/2001	Adachi et al.	D14/132
D467,512 S		12/2002	Miyazaki		
D474,163 S	*	5/2003	Araki	D14/126
D475,984 S	*	6/2003	Chen et al.	D14/126

OTHER PUBLICATIONS

Web page “PC Watch, World PC Expo 2002 Report” <http://www.watch.impress.co.jp/pc/docs/2002/1016/wpc03.htm>, 2 sheets, Impress Co. (Jun. 2003).

Web page “121ware.com” http://121ware.com/community/navigate/learn/index.jsp?BV_SessionID=NNNN0919088931.1056..., 2 sheets, NEC Corp. (Jun. 2003).

Web page “Personal IT Television, air-board, IDT-LF2” <http://www.sony.jp/products/Consumer/airboard/IDT-LF2/index.html>, 1 sheet, Sony (Jun. 2003).

Web page “Products, LCD Color Television” <http://www.casio.co.jp/tv/xfer/>, 1 sheet, Casio Computer Co., Ltd. (Jun. 2003).

Web page “Sony eCatalog” <http://www.ecat.sony.co.jp/visual/airboard/products/index.cfm?PD=104&KM=IDT-LF1>, 1 sheet, Sony (Jul. 2003).

* cited by examiner

Primary Examiner—Raphael Barkai

(74) *Attorney, Agent, or Firm*—Rader, Fishman & Grauer PLLC

(57) **CLAIM**

The ornamental design for a monitor/television receiver as shown.

DESCRIPTION

FIG. 1 is a perspective view of a monitor/television receiver showing our new design;
FIG. 2 is a front elevational view thereof;
FIG. 3 is a rear elevational view thereof;
FIG. 4 is a left side elevational view thereof;
FIG. 5 is a right side elevational view thereof;
FIG. 6 is a top plan view thereof; and,
FIG. 7 is a bottom plan view thereof.

1 Claim, 4 Drawing Sheets

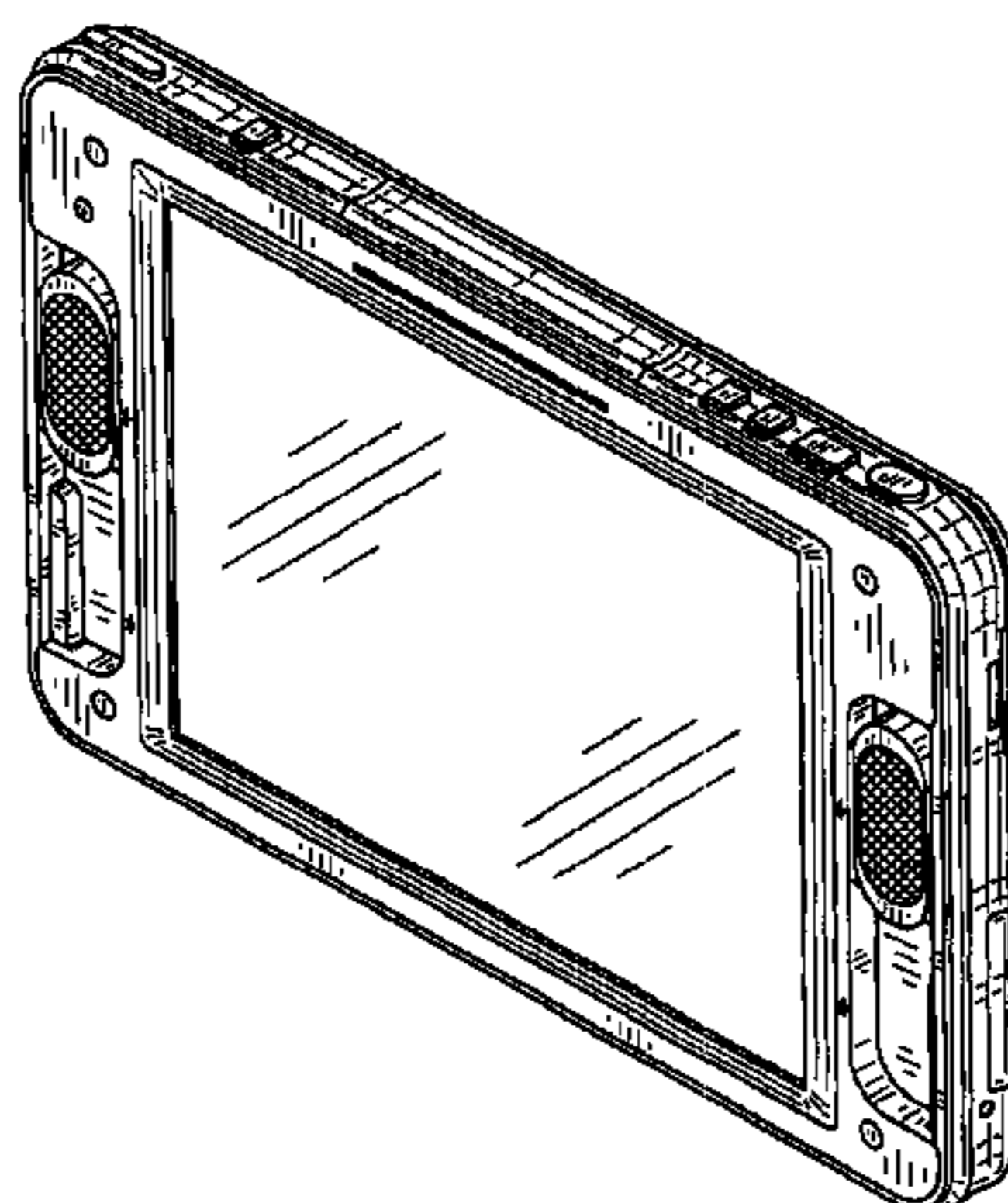


FIG. 1

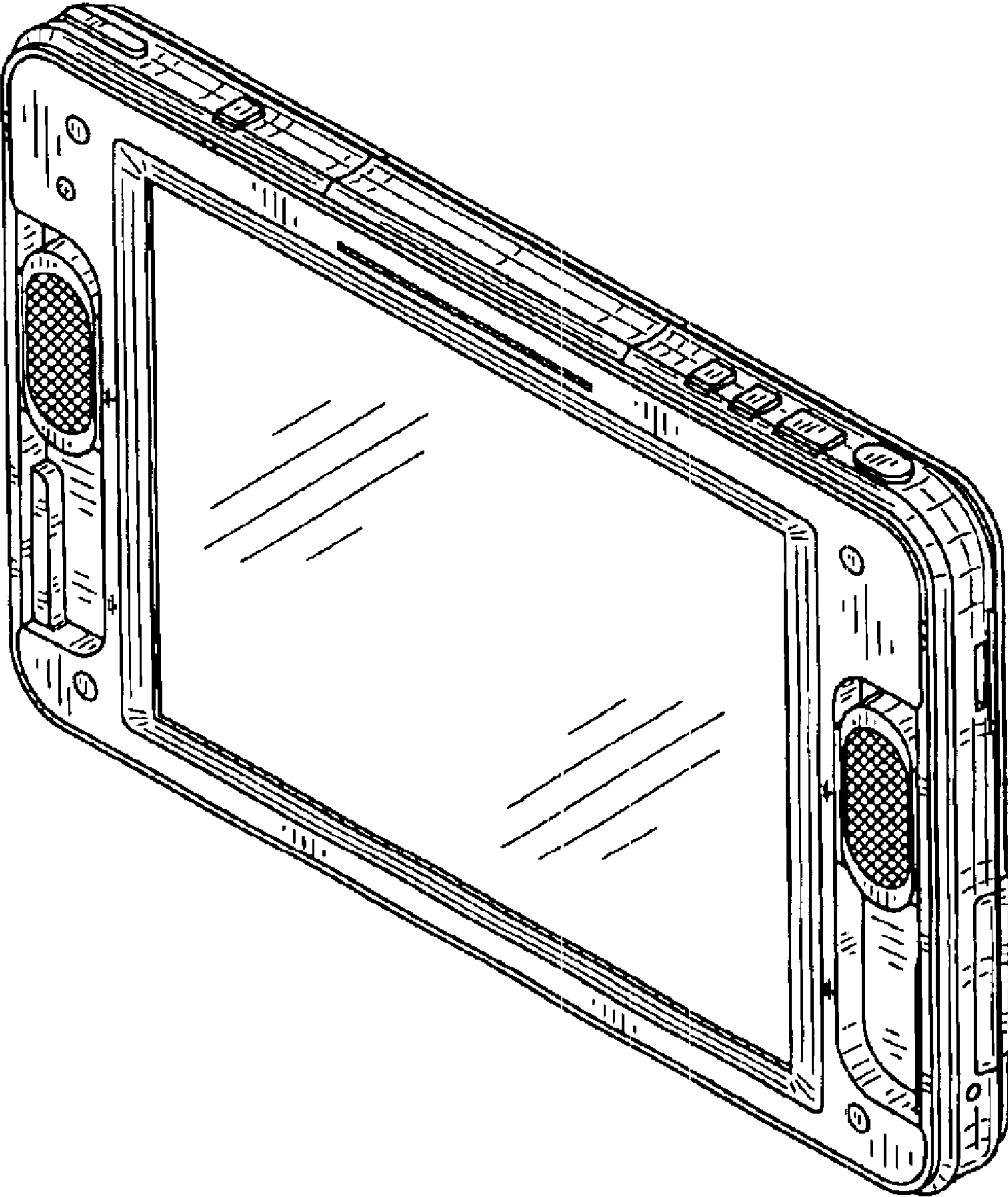


FIG.2

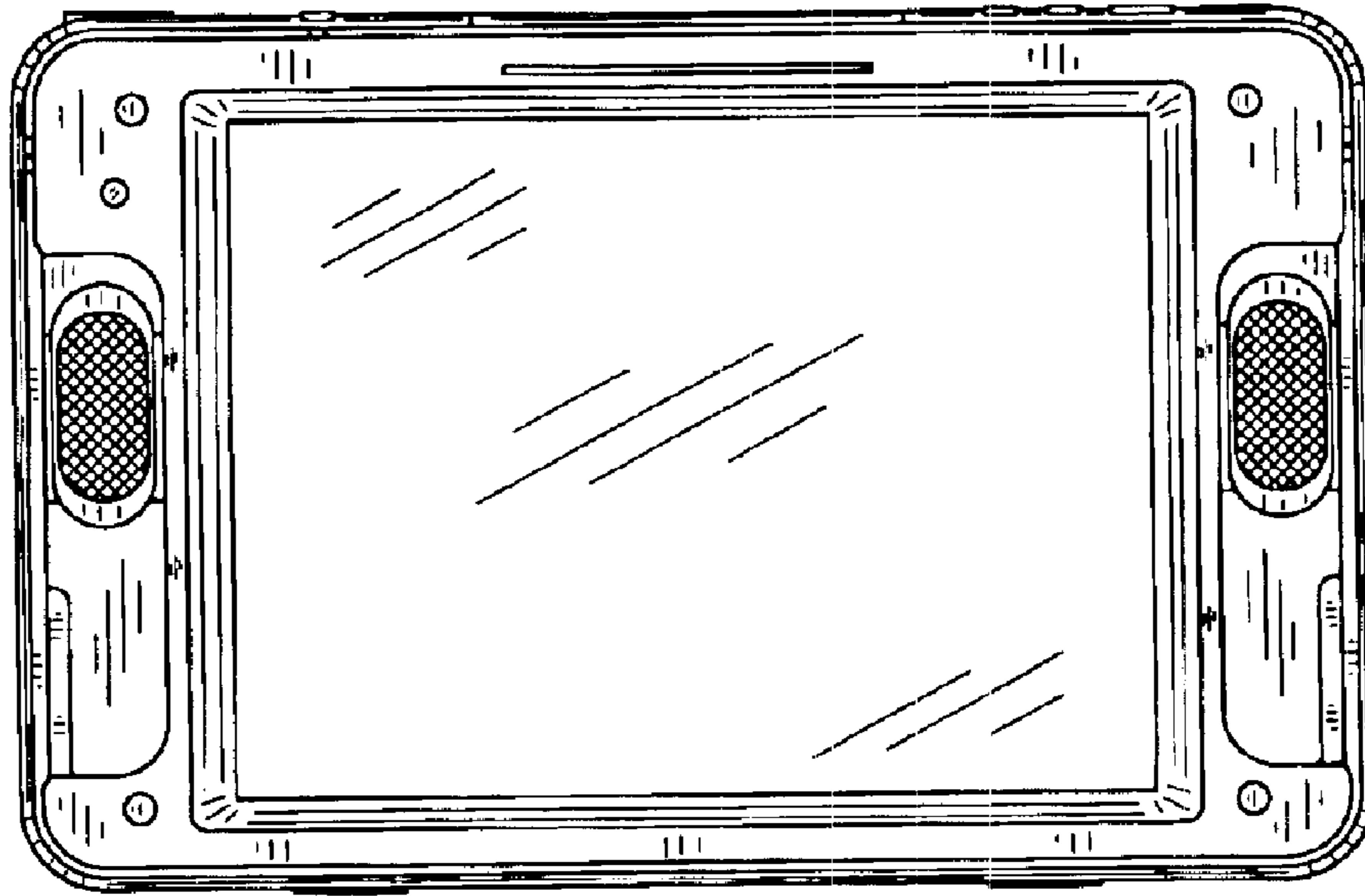


FIG.3

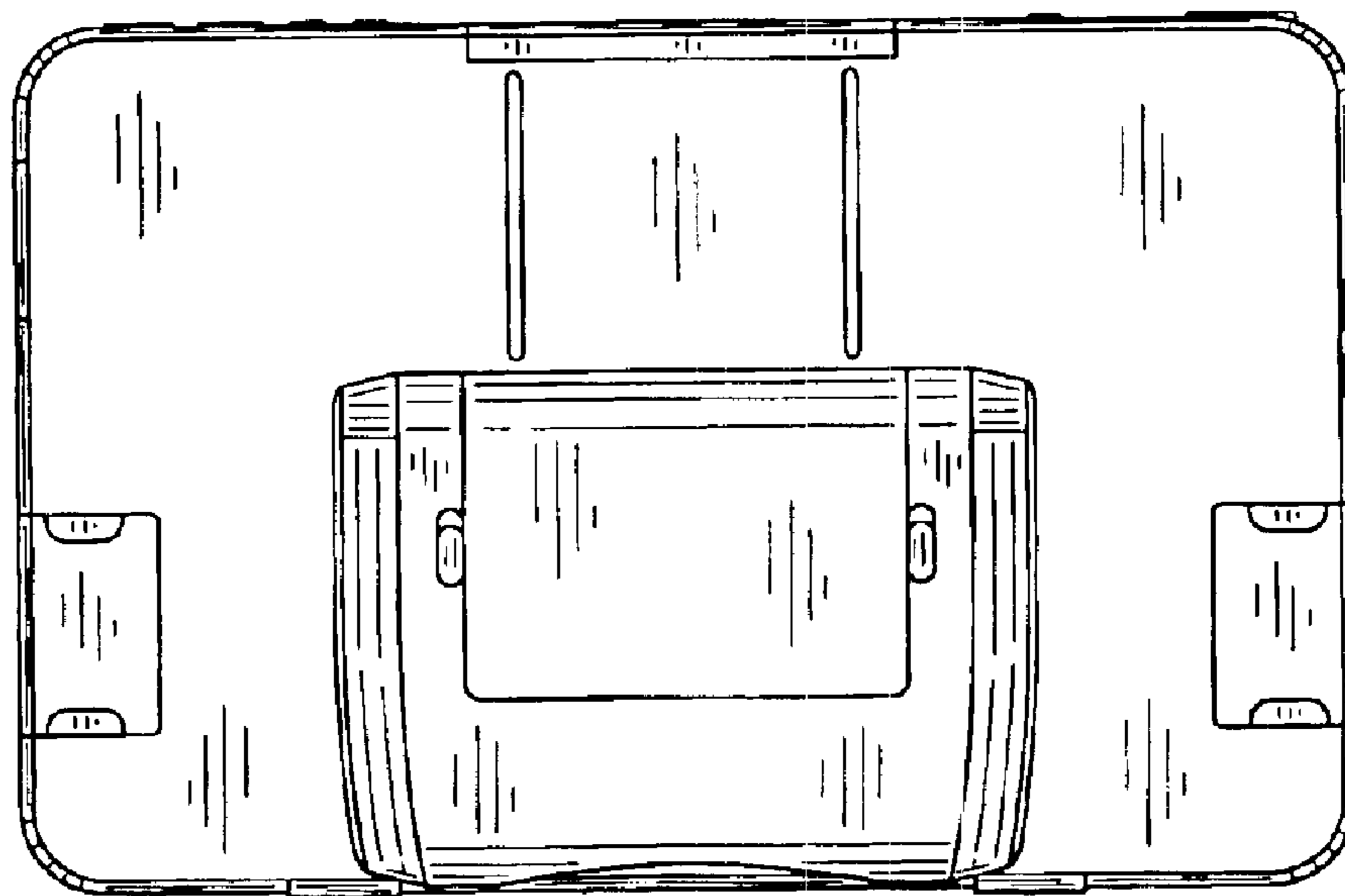


FIG.4

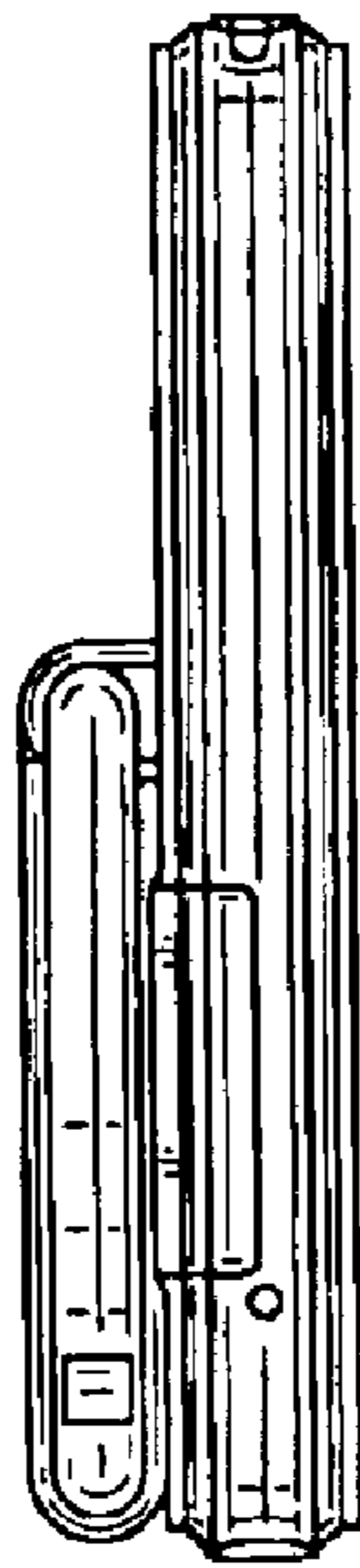


FIG.5

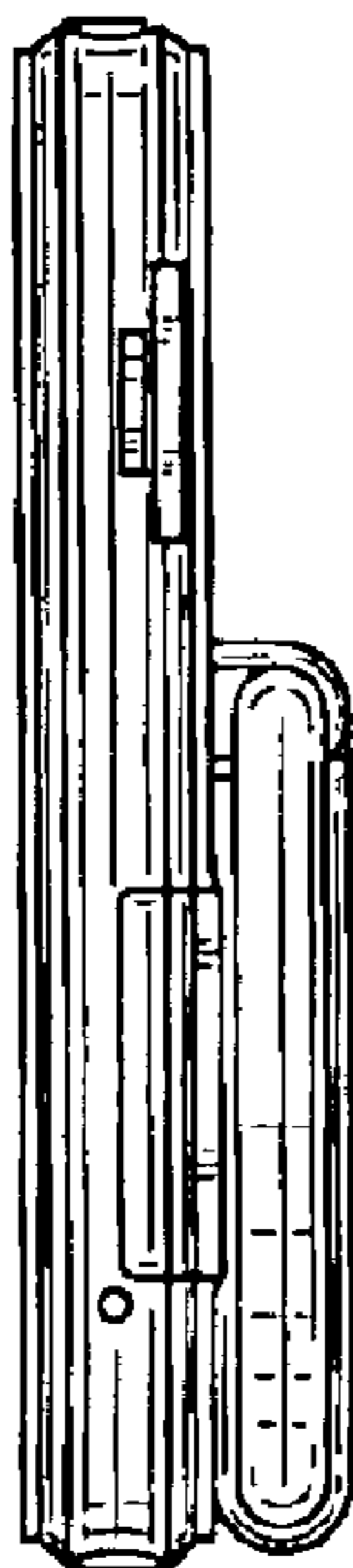


FIG. 6

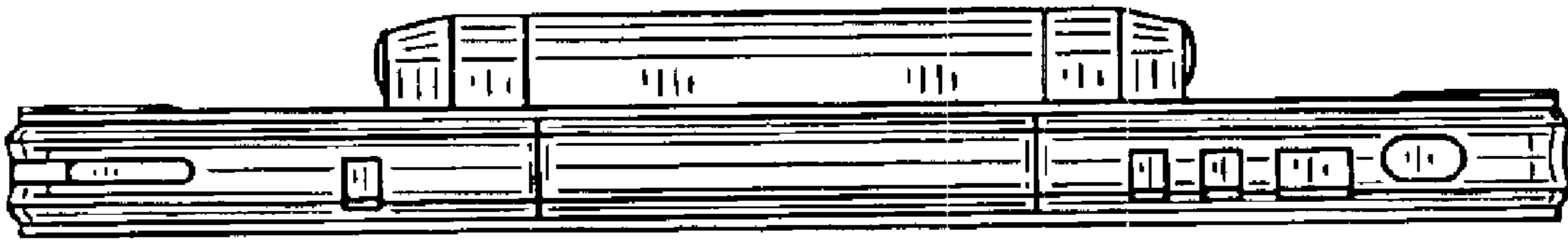


FIG. 7

