

US00D501182S

(12) **United States Design Patent** (10) **Patent No.:** **US D501,182 S**
Buck (45) **Date of Patent:** **** Jan. 25, 2005**

(54) **PORTABLE ELECTRIC GENERATOR**

DE 40003903 9/2000 D13/1

(75) Inventor: **John E. Buck**, Cockeysville, MD (US)

Primary Examiner—Stella Reid
Assistant Examiner—Daniel Bui

(73) Assignee: **Black & Decker Inc.**, Newark, DE (US)

(74) *Attorney, Agent, or Firm*—Bruce S. Shapiro; Michael P. Leary; Charles E. Yocum

(**) Term: **14 Years**

(57) **CLAIM**

The ornamental design for a portable electric generator, as shown and described.

(21) Appl. No.: **29/148,238**

(22) Filed: **Sep. 17, 2001**

DESCRIPTION

(51) **LOC (7) Cl.** **13-02**

FIG. 1 is a front perspective view of a portable electric generator showing a first embodiment of my design.

(52) **U.S. Cl.** **D13/110**

FIG. 2 is a front elevational view of the portable electric generator of FIG. 1.

(58) **Field of Search** D13/110, 112, D13/123, 114; 307/64, 150, 151; 320/114; 361/679, 695, 725, 727, 728; 363/144

FIG. 3 is a rear elevational view of the portable electric generator of FIG. 1.

(56) **References Cited**

FIG. 4 is a left side elevational view of the portable electric generator of FIG. 1.

U.S. PATENT DOCUMENTS

FIG. 5 is a right side elevational view of the portable electric generator of FIG. 1.

D135,939 S	7/1943	Worthley	
2,630,537 A *	3/1953	Wiegman et al.	190/1 A
D194,490 S	1/1963	Winslow	D77/1
D205,975 S	10/1966	Sato	D77/1
D210,937 S	5/1968	Clark	D14/3
D227,411 S	6/1973	De Bella	D13/1
D249,788 S	10/1978	Nanjo	D13/3
4,376,250 A	3/1983	Baker, Jr. et al.	307/150
D276,997 S *	1/1985	Mikado	D13/116
D277,285 S *	1/1985	Lopez	D15/1
D277,954 S *	3/1985	Mizushima	D13/114
D278,425 S *	4/1985	Toshihiko	D13/116
D282,734 S	2/1986	Shibuya	D13/1

FIG. 6 is a top plan view of the portable electric generator of FIG. 1.

(List continued on next page.)

FIG. 7 is a bottom plan view of the portable electric generator of FIG. 1.

FOREIGN PATENT DOCUMENTS

DE	m8803611	2/1990	D13/1
DE	m9208688	5/1993	D13/1
DE	m9301671	9/1993	D13/1
DE	m9301672	9/1993	D13/1
DE	9805666	2/1999	D13/1
DE	49901937	7/1999	D13/1
DE	49906955	12/1999	D13/1
DE	40001334	6/2000	D13/1

FIG. 8 is a front perspective view of a portable electric generator showing a second embodiment of my new design.

FIG. 9 is a front elevational view of the portable electric generator of FIG. 8.

FIG. 10 is a rear elevational view of the portable electric generator of FIG. 8.

FIG. 11 is a left side elevational view of the portable electric generator of FIG. 8.

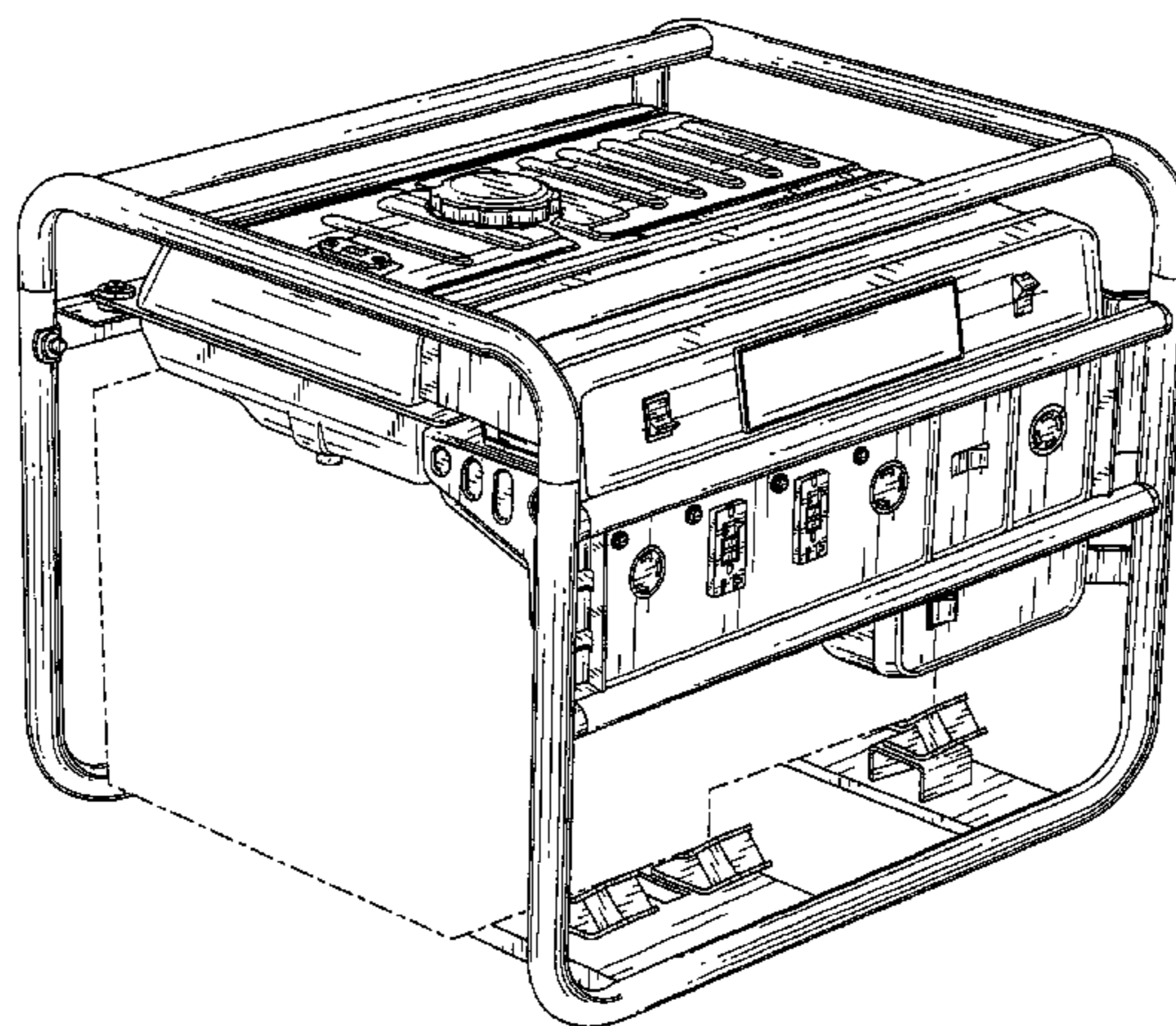
FIG. 12 is a right side elevational view of the portable electric generator of FIG. 8.

FIG. 13 is a top plan view of the portable electric generator of FIG. 8; and,

FIG. 14 is a bottom plan view of the portable electric generator of FIG. 8.

The broken lines and the areas within the broken lines are for illustrative purposes only and form no part of the claimed design.

1 Claim, 14 Drawing Sheets



US D501,182 S

Page 2

U.S. PATENT DOCUMENTS

D293,904 S	1/1988	Murakami et al.	D13/1	D416,858 S	*	11/1999	Domanski	D13/114
D294,015 S	2/1988	Gomi	D13/1	D418,809 S	*	1/2000	Frank	D13/112
4,914,373 A	4/1990	Rivkine	322/1	D425,018 S		5/2000	Madura et al.	D13/110
D382,853 S	*	8/1997	Crawford	D13/112	6,181,019 B1	1/2001	Frank	290/1 A
D416,537 S	11/1999	Imai et al.	D13/116					

* cited by examiner

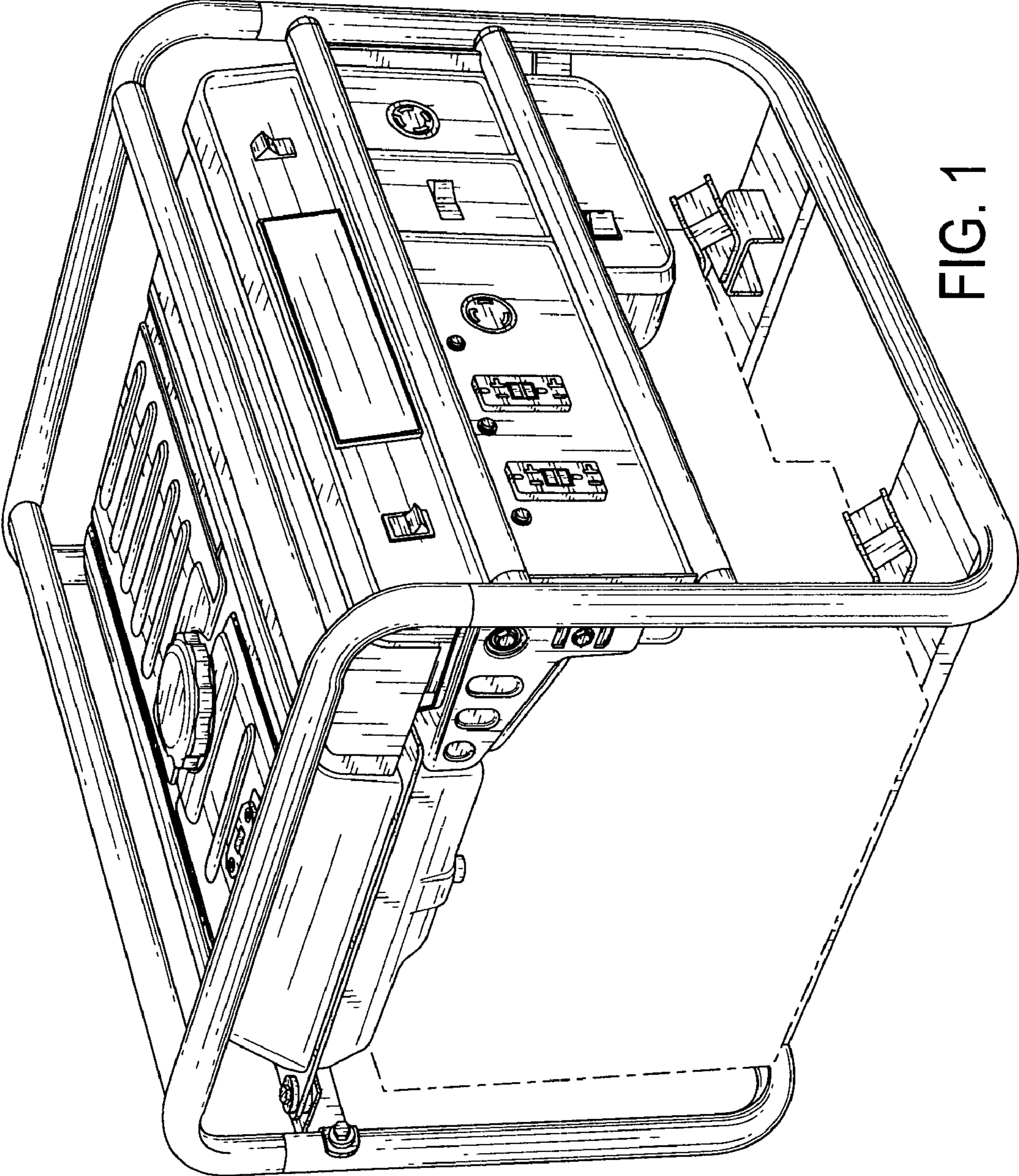


FIG. 1

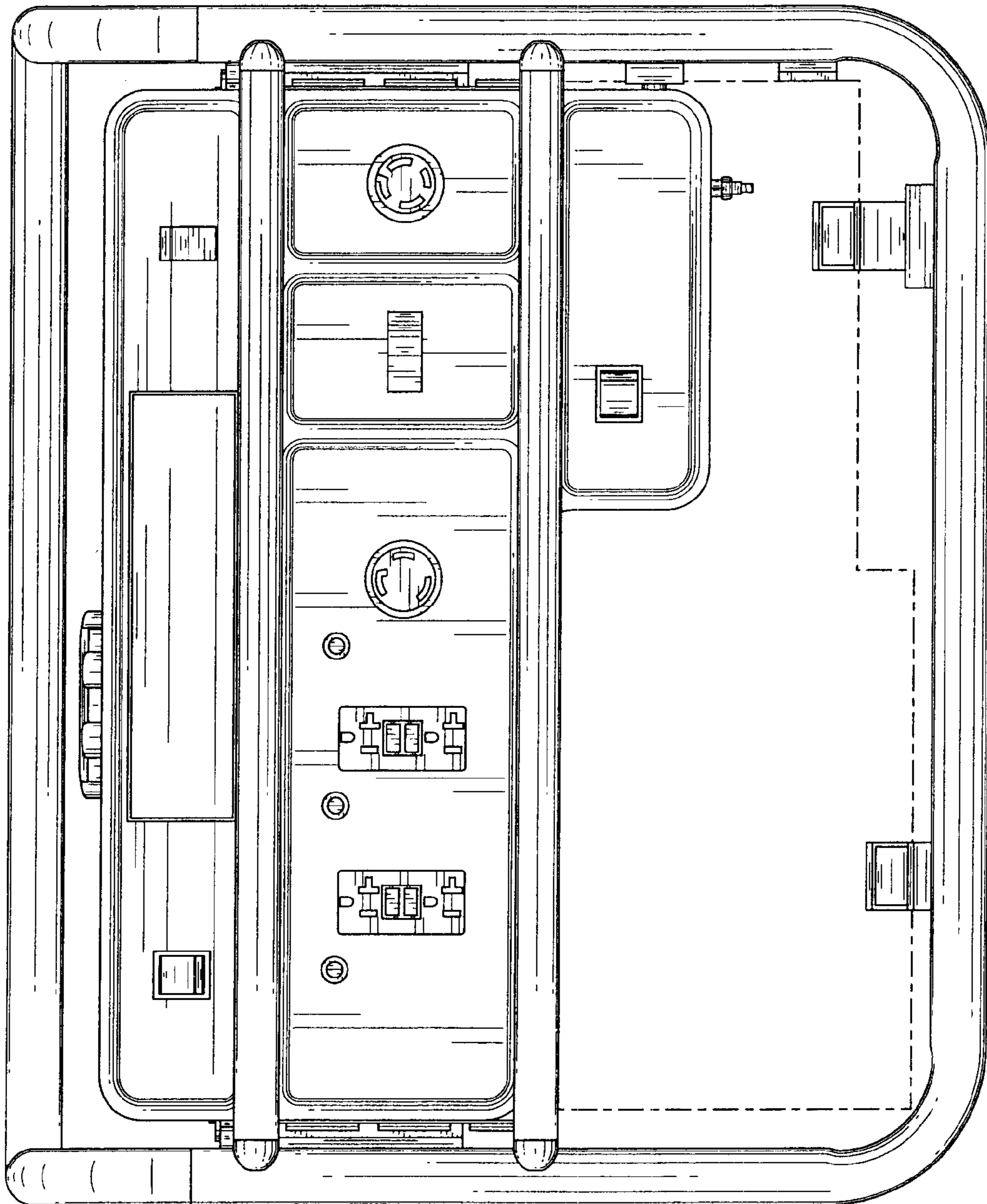


FIG. 2

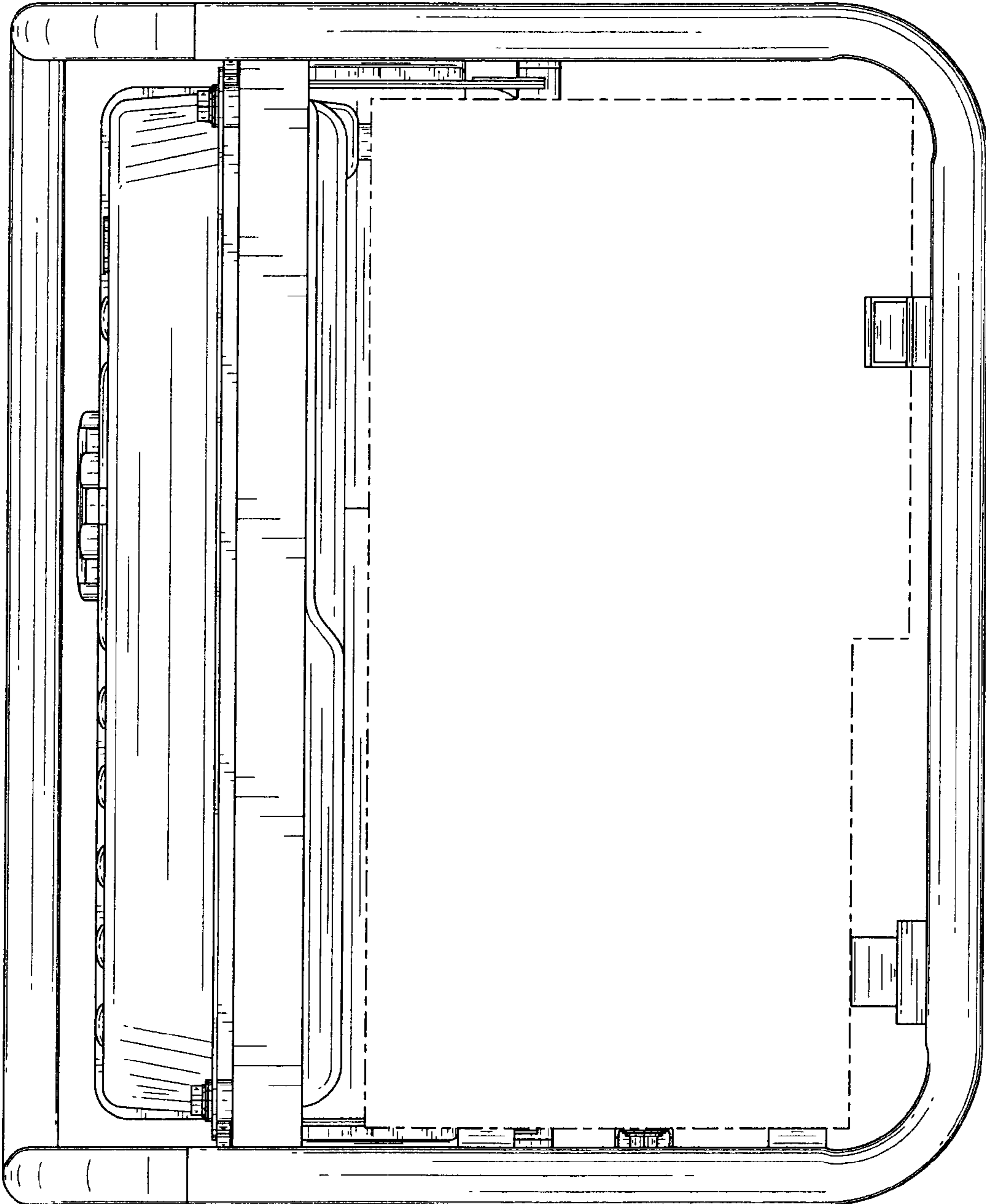


FIG. 3

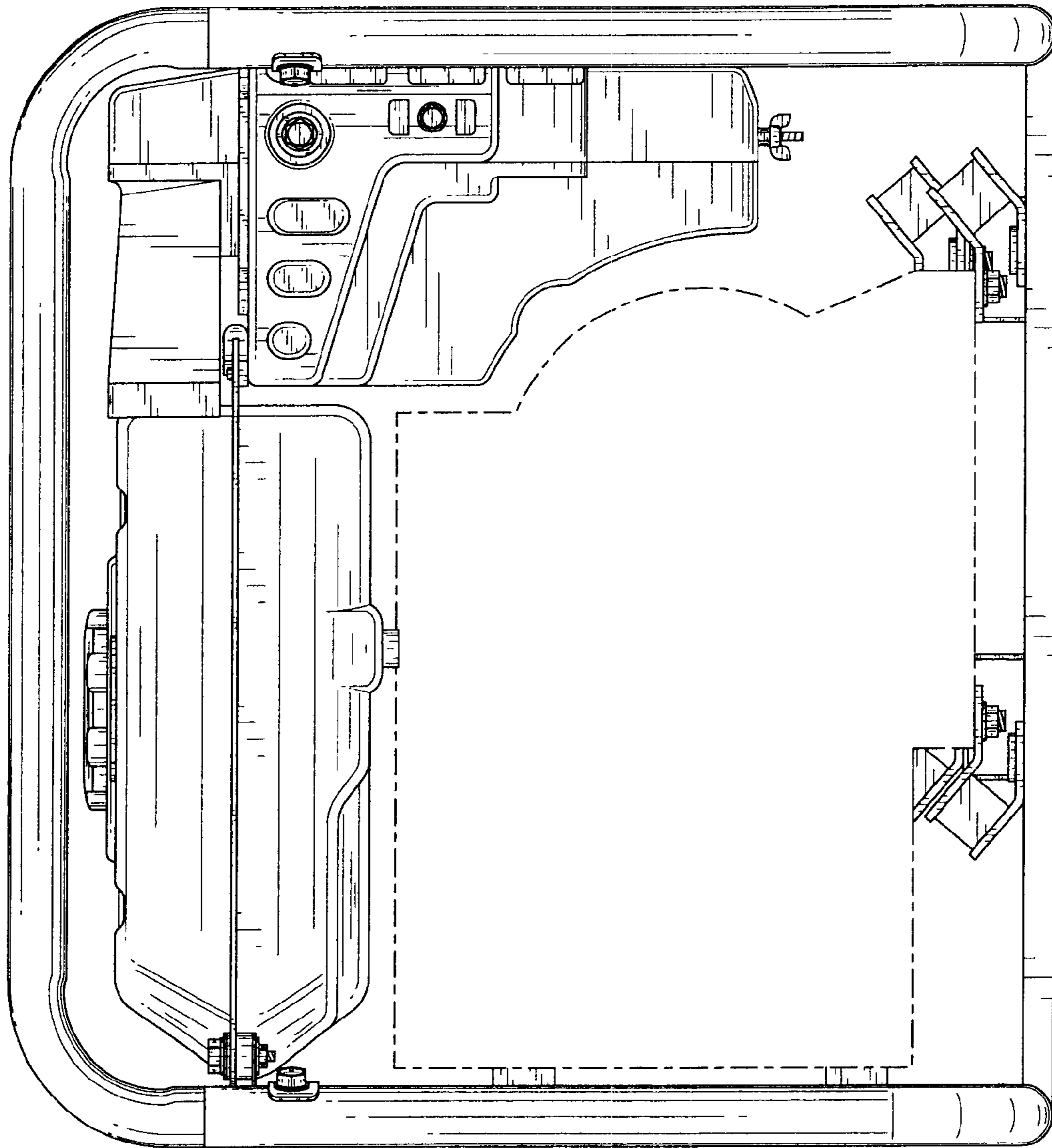


FIG. 4

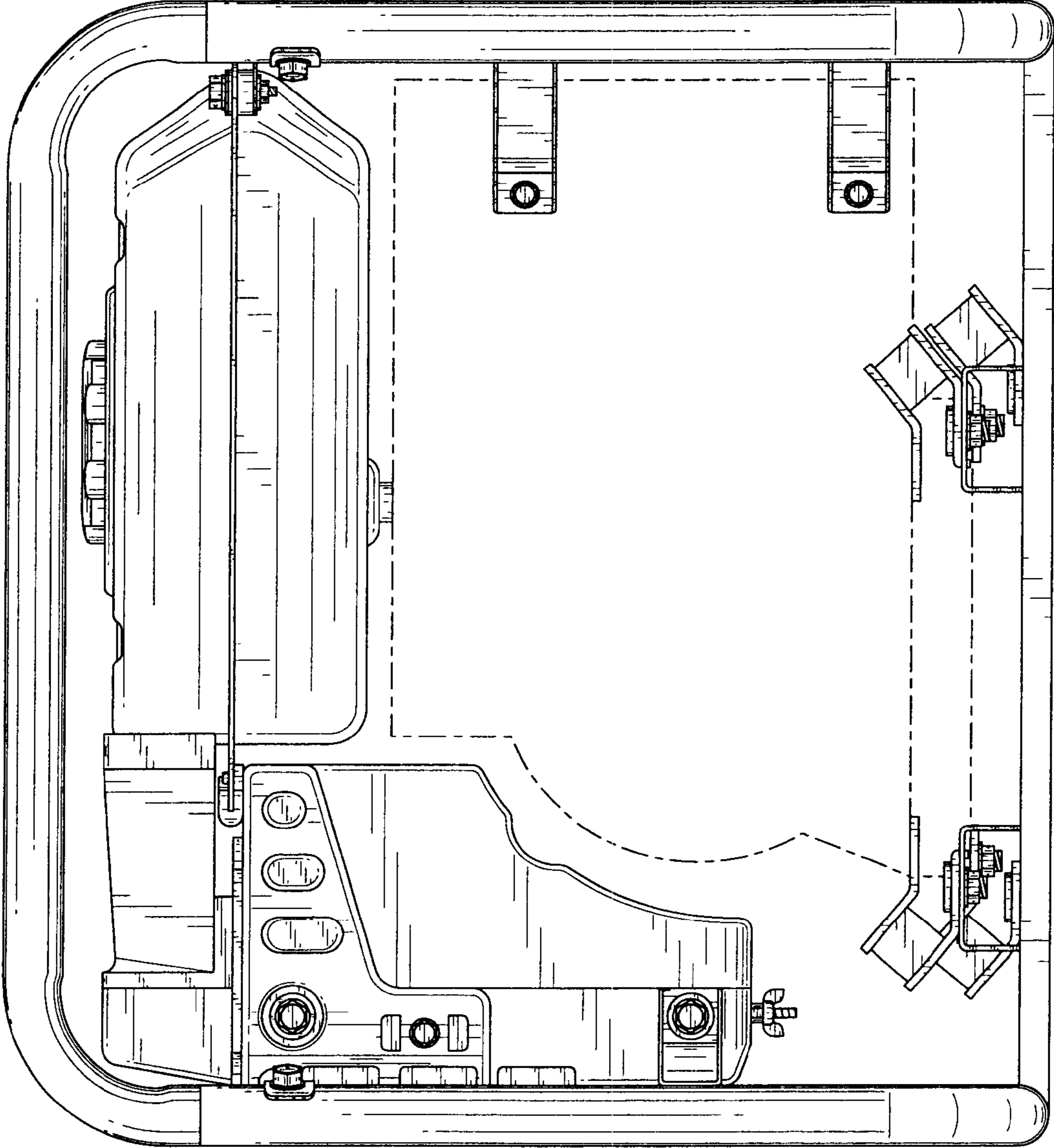


FIG. 5

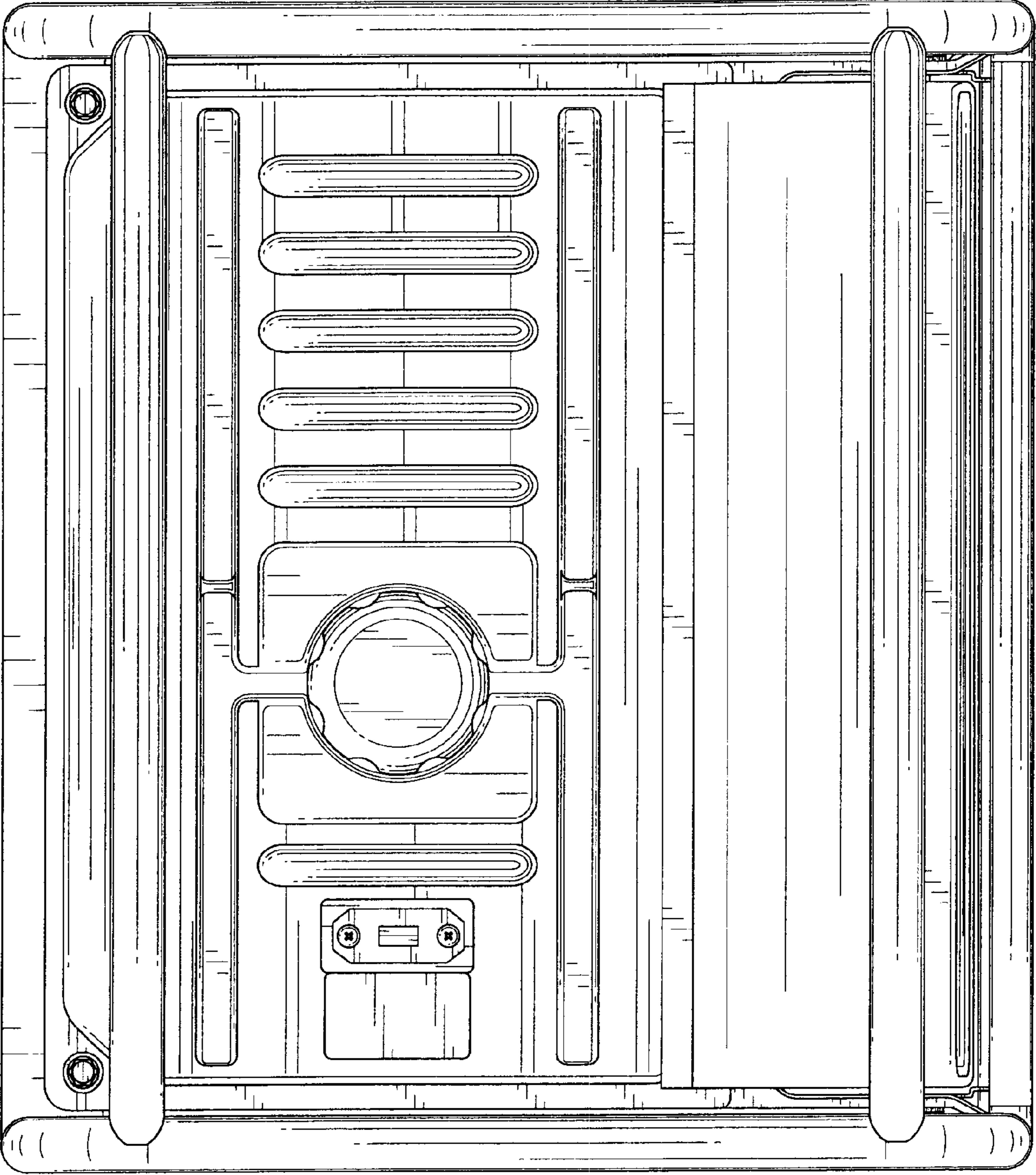


FIG. 6

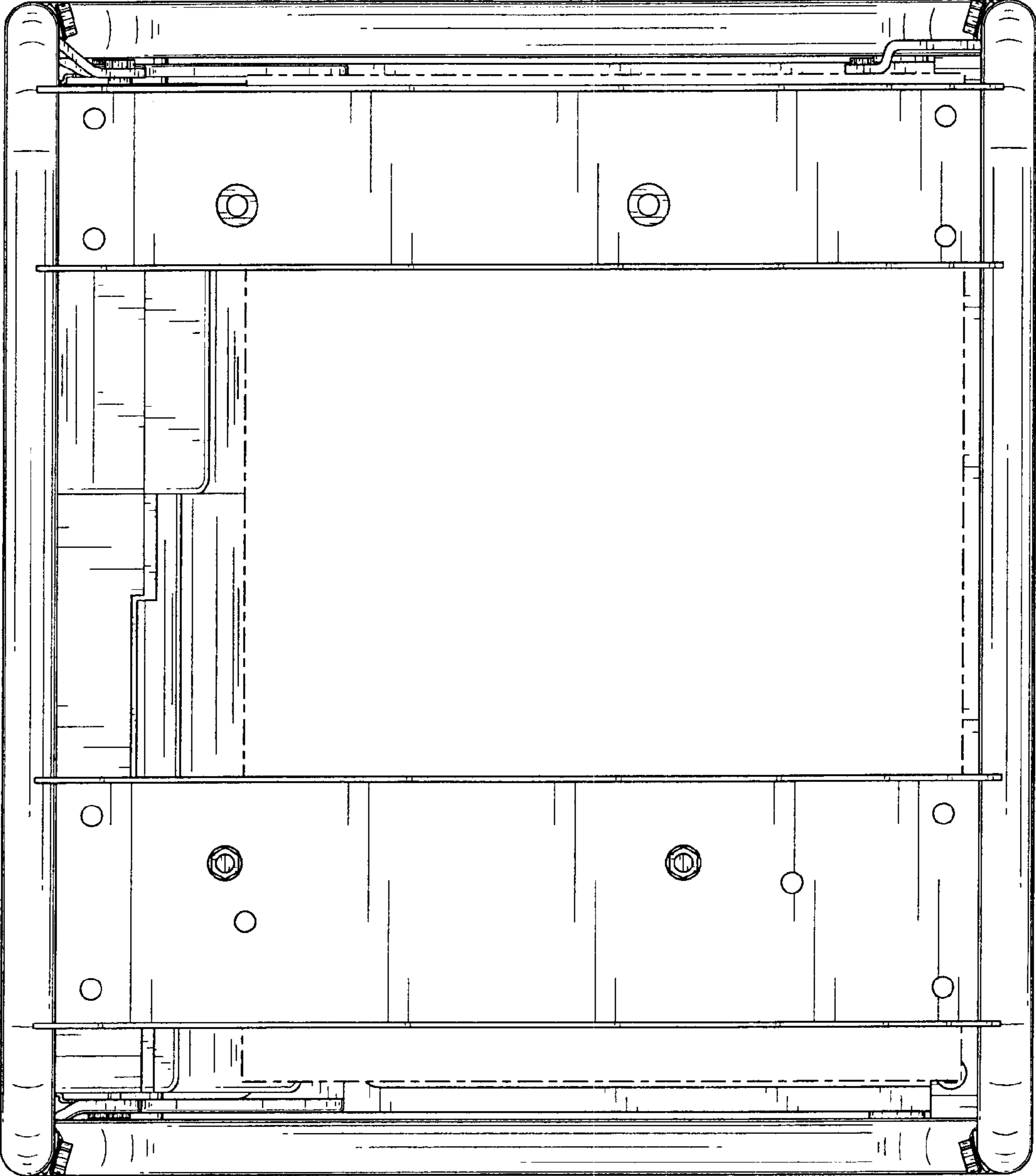


FIG. 7

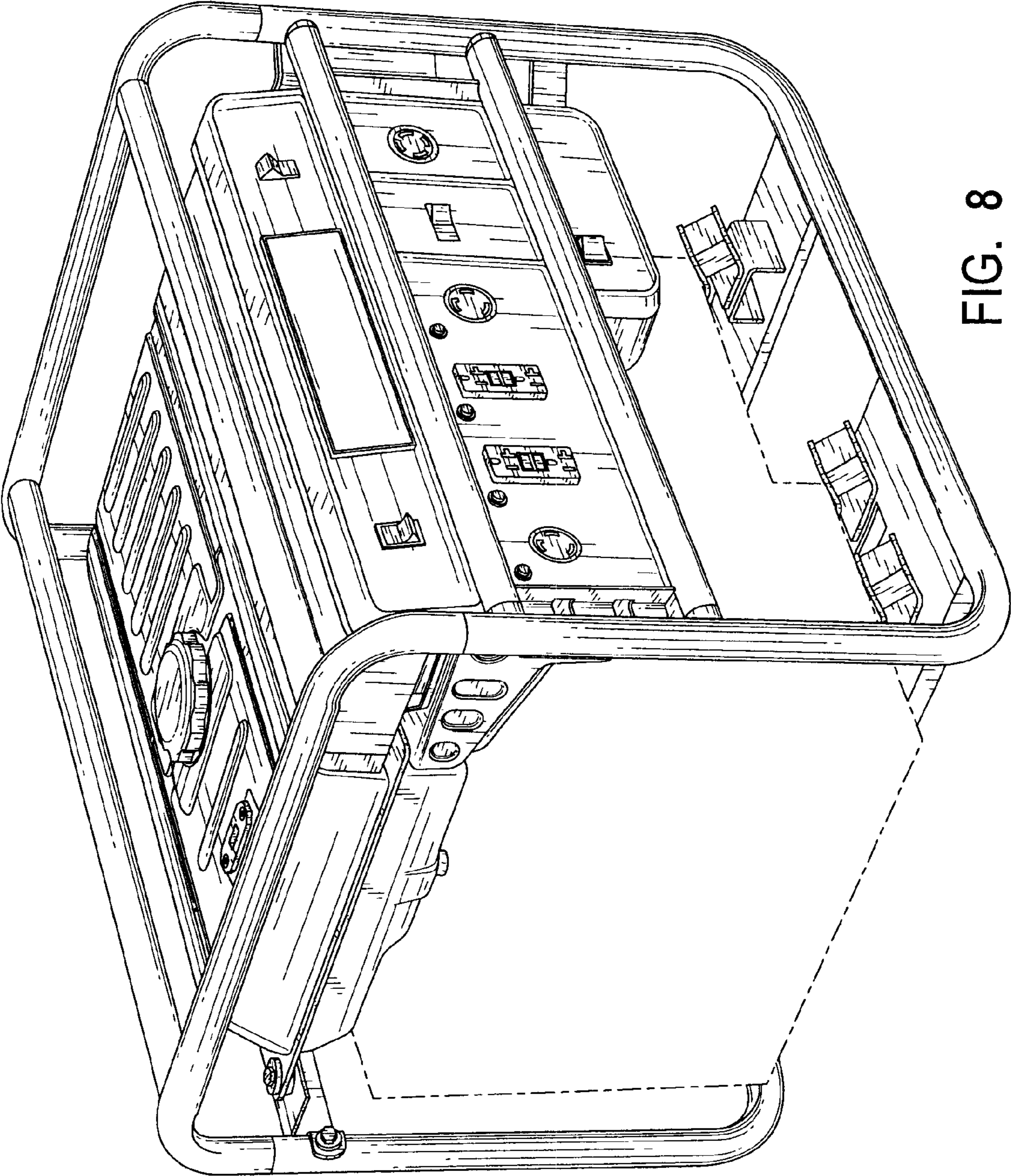


FIG. 8

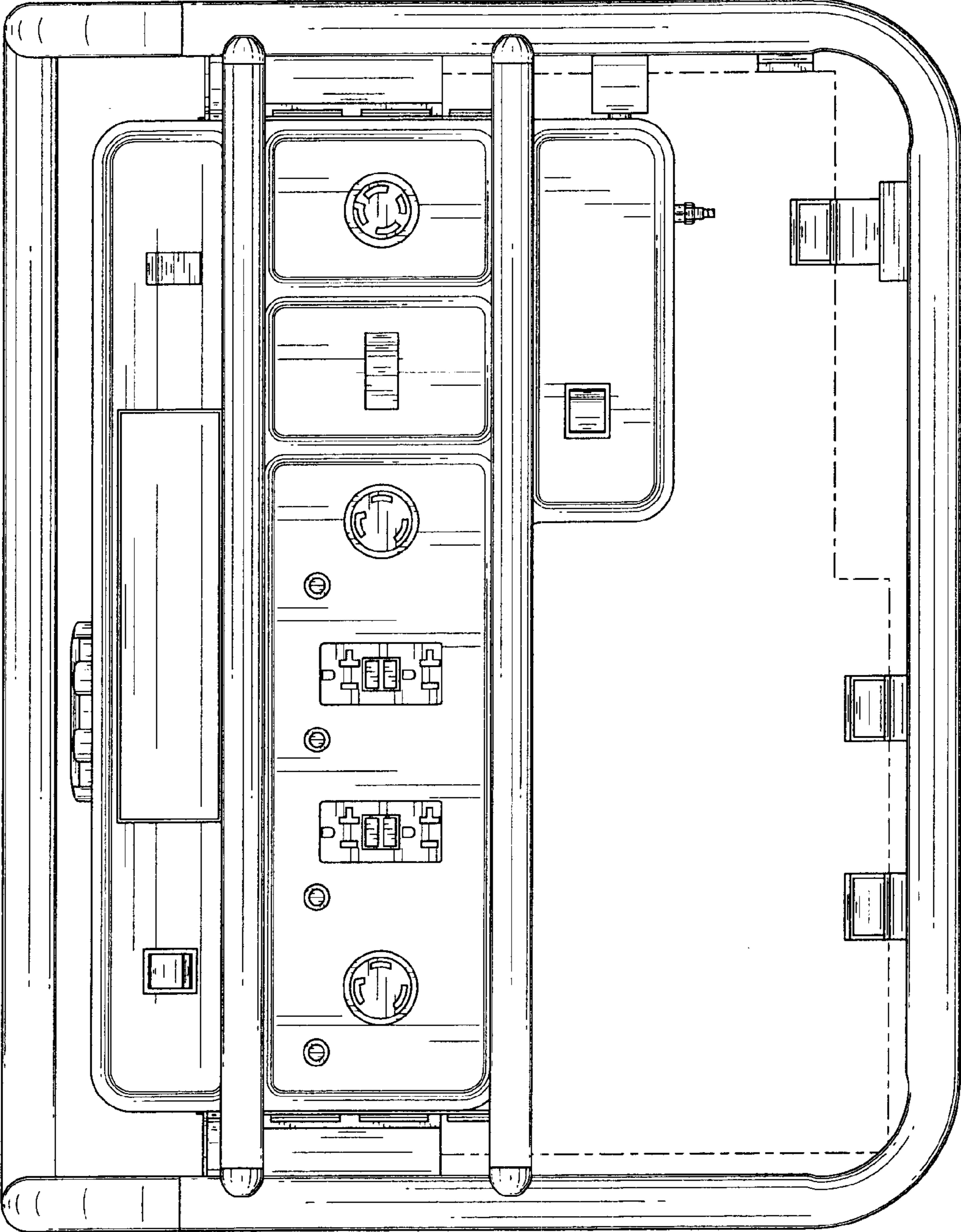


FIG. 9

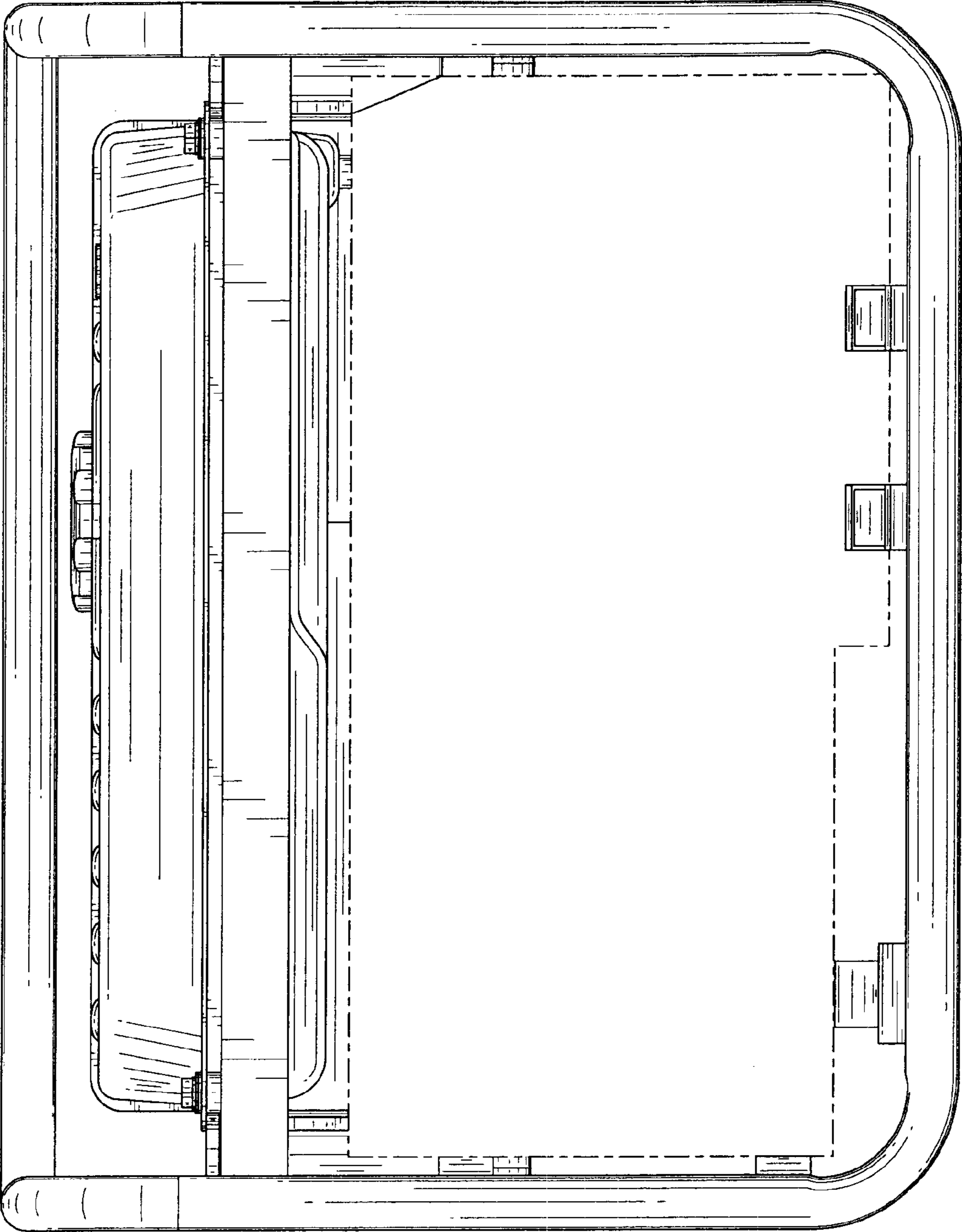


FIG. 10

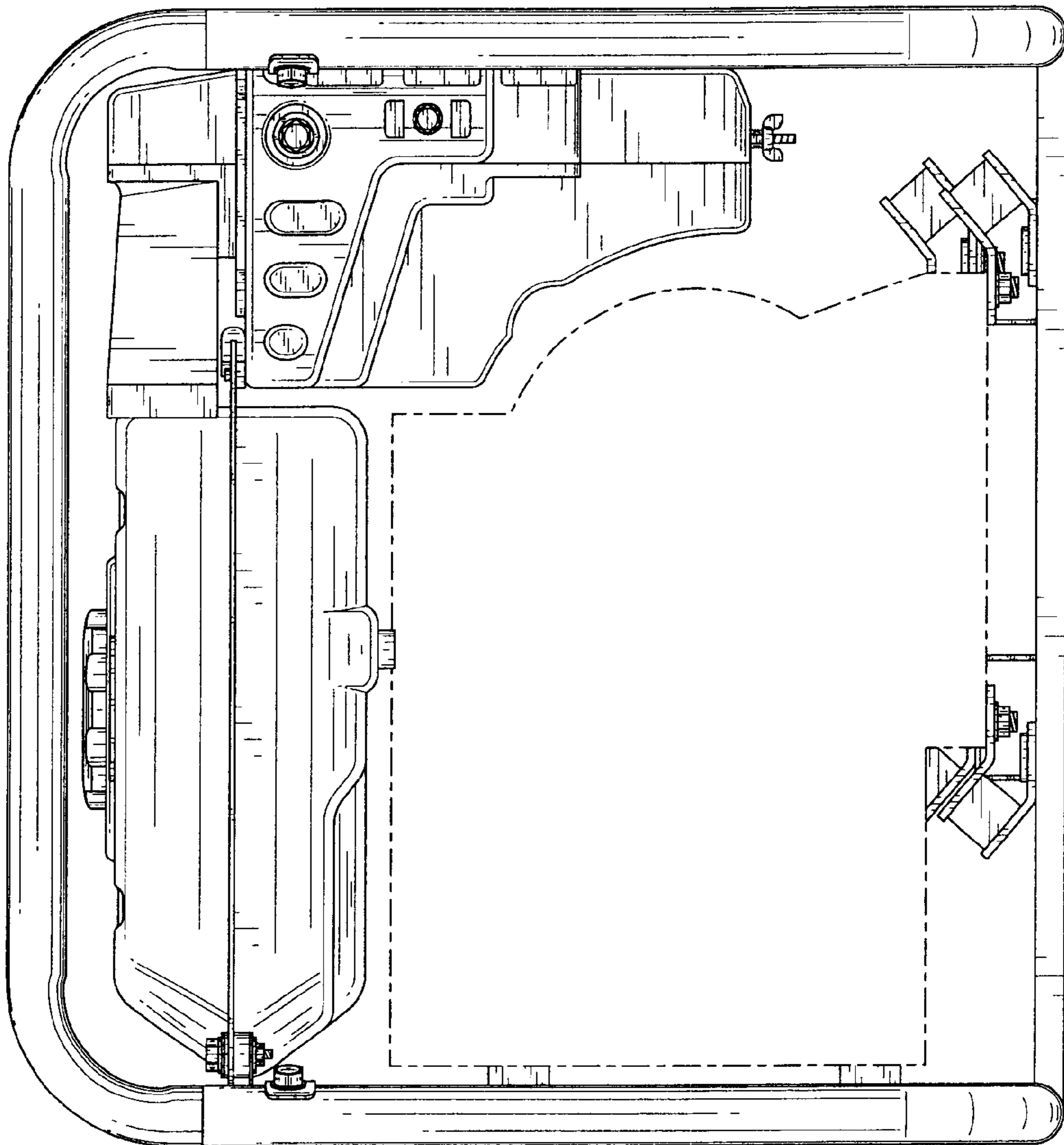


FIG. 11

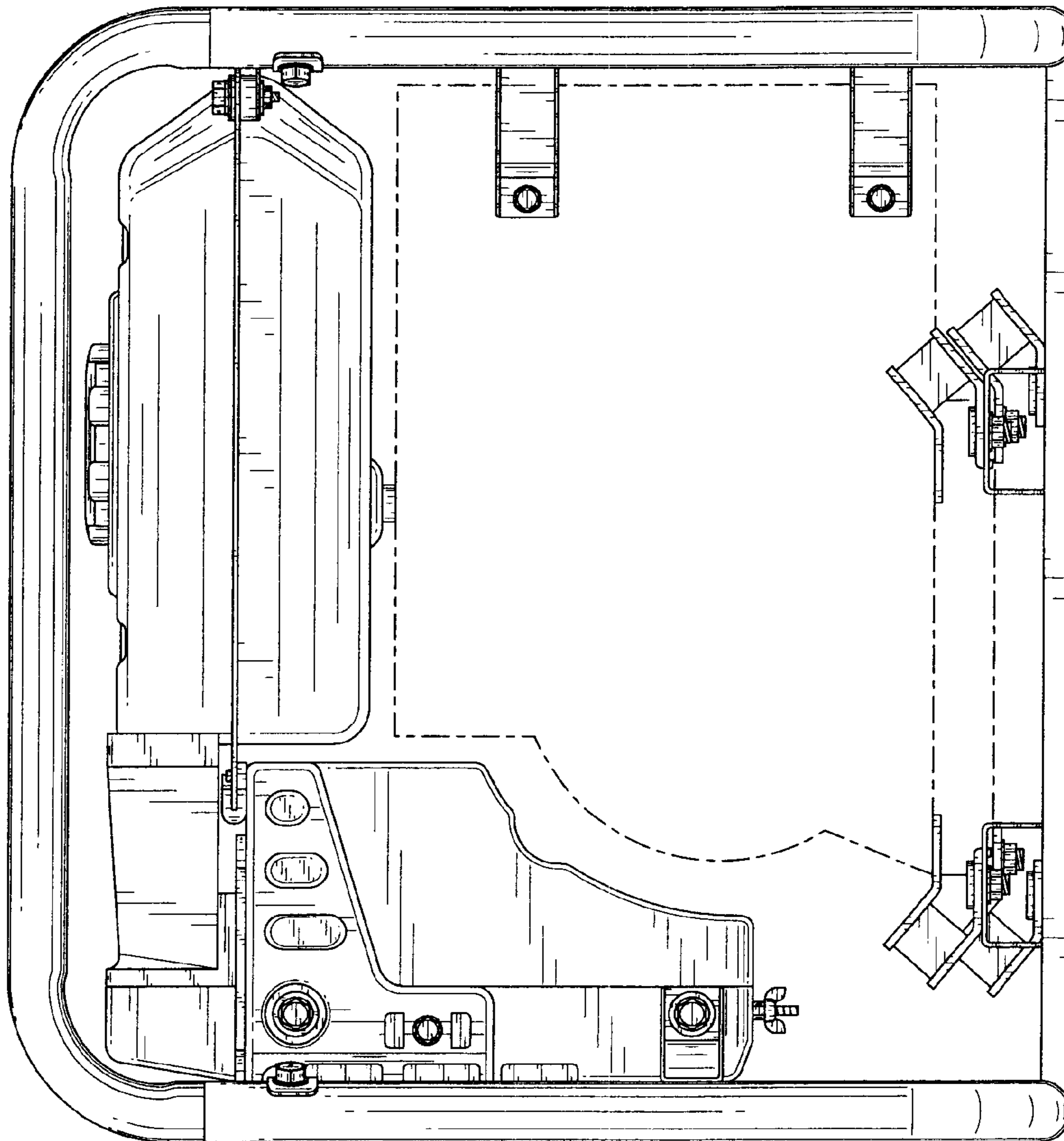


FIG. 12

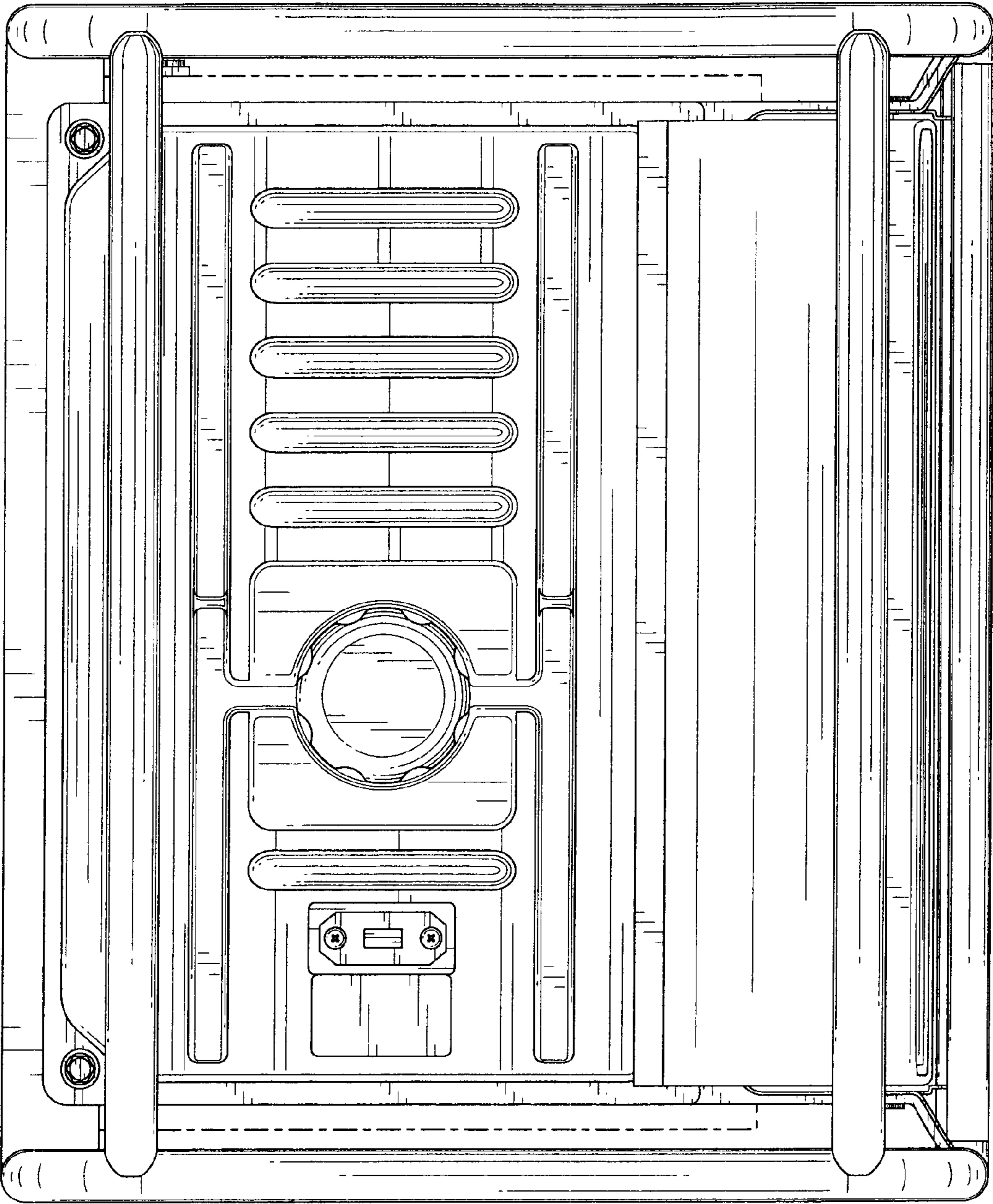


FIG. 13

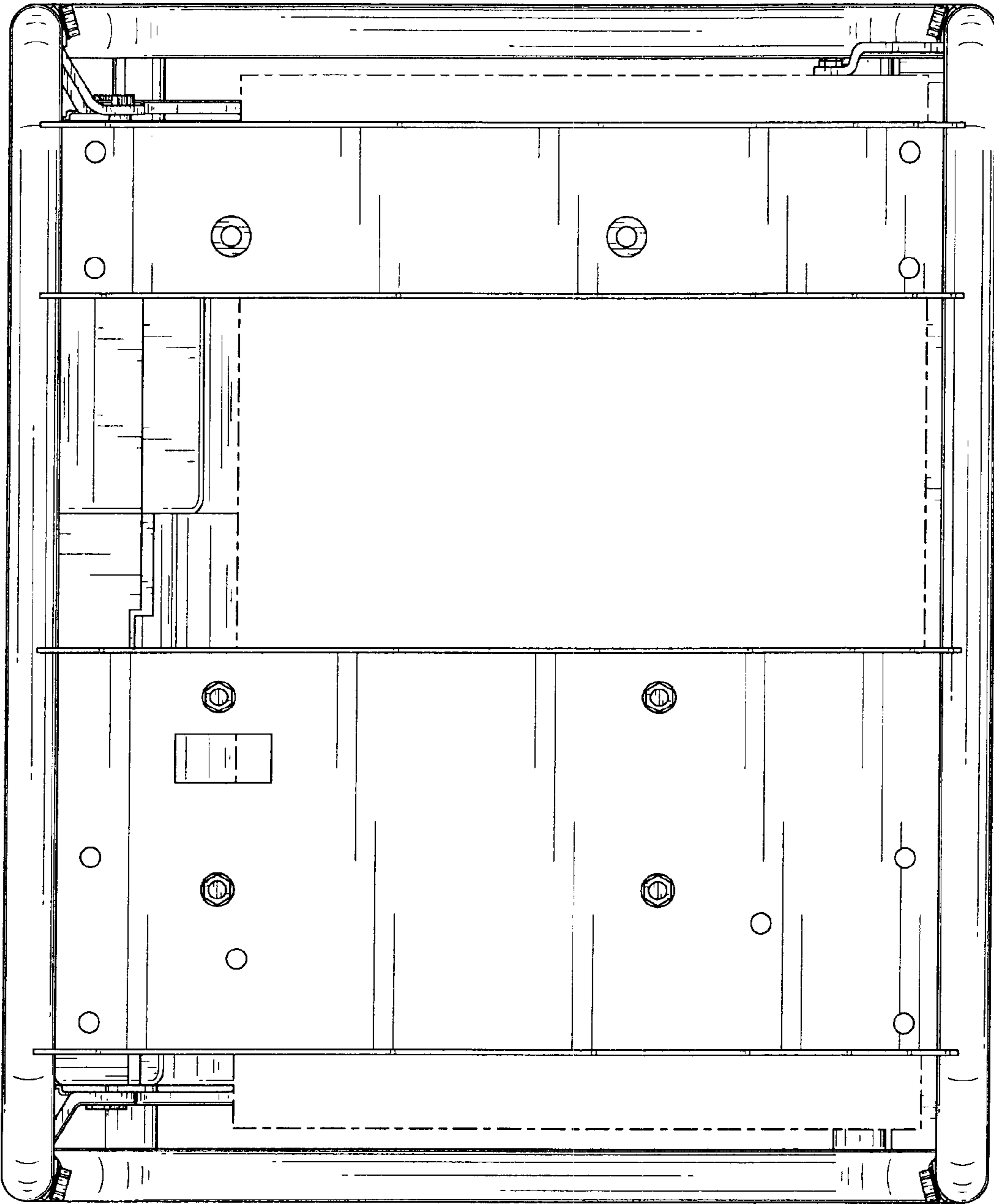


FIG. 14