



US00D501176S

(12) **United States Design Patent**  
**King**

(10) **Patent No.:** **US D501,176 S**

(45) **Date of Patent:** **\*\* Jan. 25, 2005**

(54) **CLEAT**

(76) **Inventor:** **William E King**, 4473 Keaka Rd.,  
Kapaa, HI (US) 96746

(\*\*) **Term:** **14 Years**

(21) **Appl. No.:** **29/171,705**

(22) **Filed:** **Nov. 26, 2002**

(51) **LOC (7) Cl. .... 12-06**

(52) **U.S. Cl. .... D12/317**

(58) **Field of Search .... D12/300, 317,**  
**D12/318; 114/218, 230, 102; D8/301, 313**

(56) **References Cited**

**U.S. PATENT DOCUMENTS**

1,299,529 A	4/1919	Young	
2,870,733 A	1/1959	Winther	
3,126,859 A	3/1964	Bigelow	
4,354,445 A	10/1982	Kafka et al.	
4,672,909 A	6/1987	Sweetsir	
4,809,634 A	3/1989	Czipri	
4,945,849 A	8/1990	Morris et al.	
5,004,388 A	4/1991	Harris	
5,106,248 A	4/1992	Harris	
5,301,627 A *	4/1994	Czipri	114/218
5,535,694 A	7/1996	Czipri	
5,983,820 A	11/1999	Whitley	
D430,099 S	8/2000	Sobey	

6,125,779 A	*	10/2000	Czipri	114/218
6,234,101 B1		5/2001	Czipri	
D458,891 S		6/2002	Whitley	

**OTHER PUBLICATIONS**

Publication: *New Stainless Steel Neat Cleat*, Attwood, Jun. 2002, ©2002.

\* cited by examiner

*Primary Examiner*—Lisa Lichtenstein

(74) *Attorney, Agent, or Firm*—Dowrey Rickards PLLC

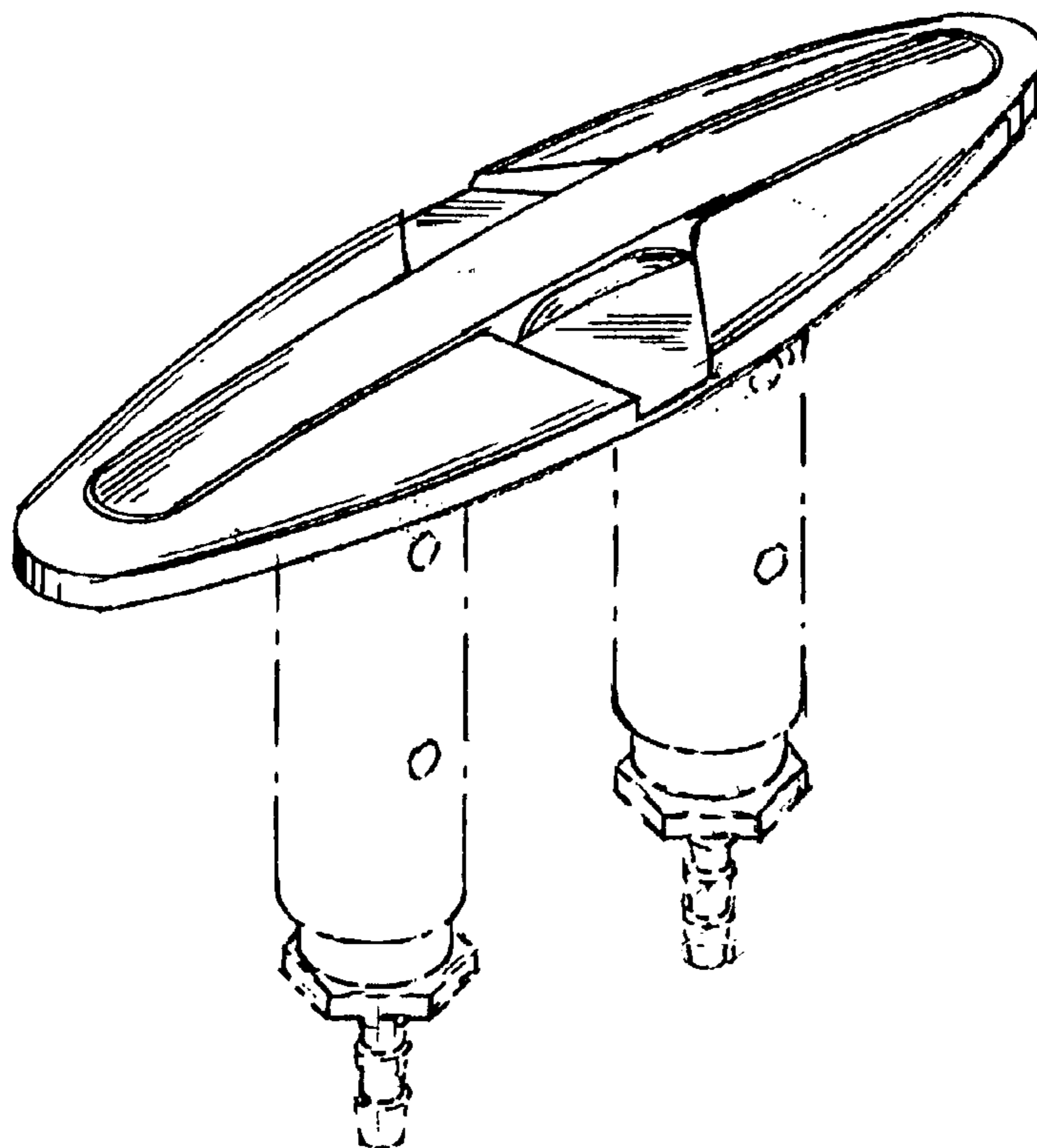
(57) **CLAIM**

The ornamental design for a cleat, as shown and described.

**DESCRIPTION**

FIG. 1 is a perspective view of the cleat with the cleat post receiving tubes shown in broken lines;  
 FIG. 2 is a right side elevation of the cleat, the left side being a mirror image thereof;  
 FIG. 3 is a top plan view of the cleat;  
 FIG. 4 is an end elevation of the cleat, the opposite end being a mirror image thereof; and,  
 FIG. 5 is a bottom plan view of the cleat.  
 The broken line showing of environmental structure is for illustrative purposes only and forms no part of the claimed design.

**1 Claim, 2 Drawing Sheets**



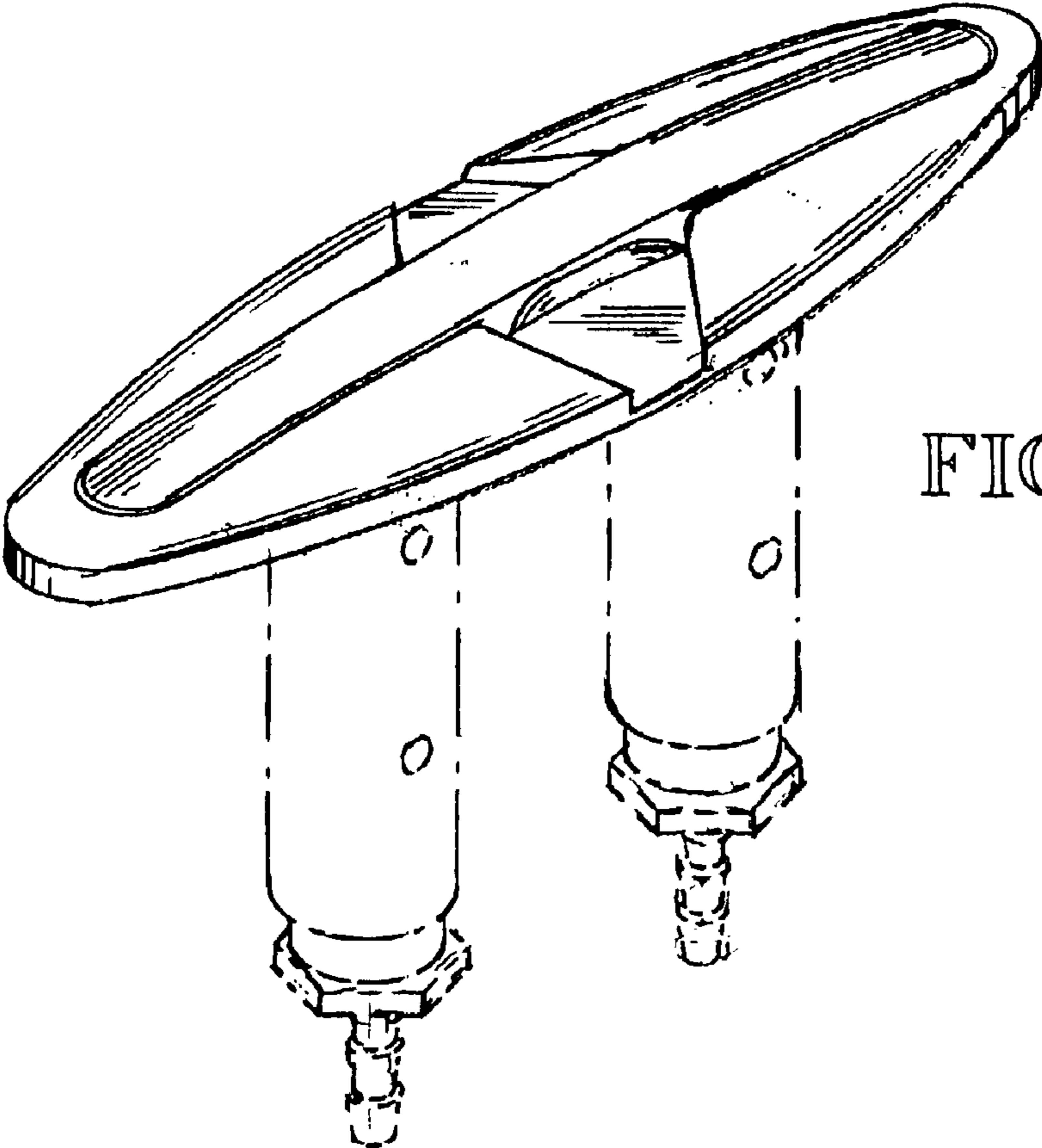


FIG. 1

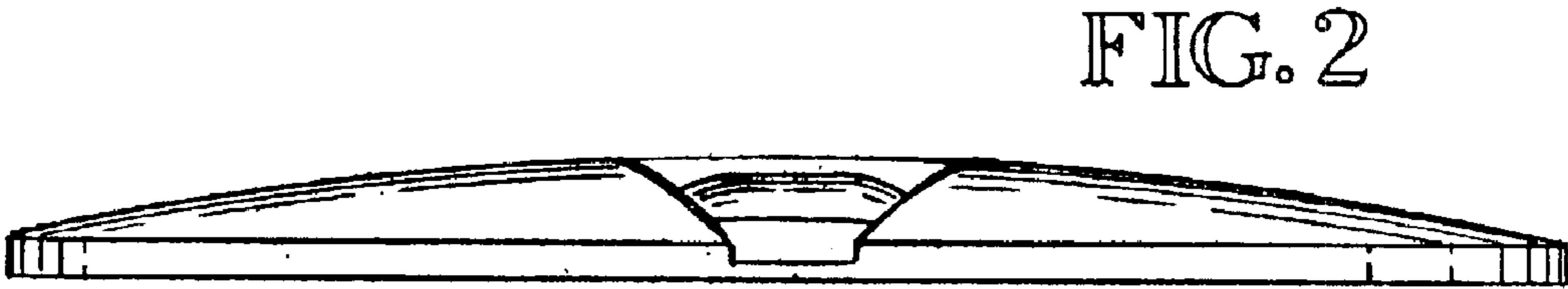


FIG. 2

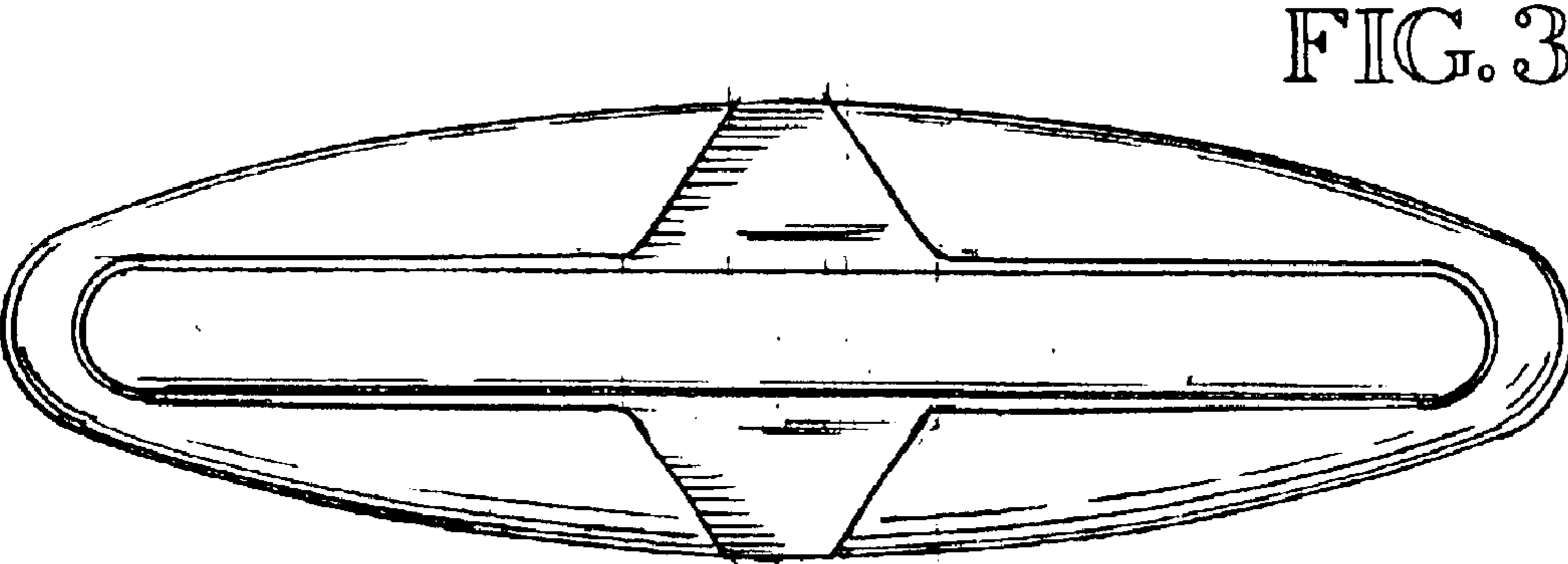


FIG. 3



FIG. 4

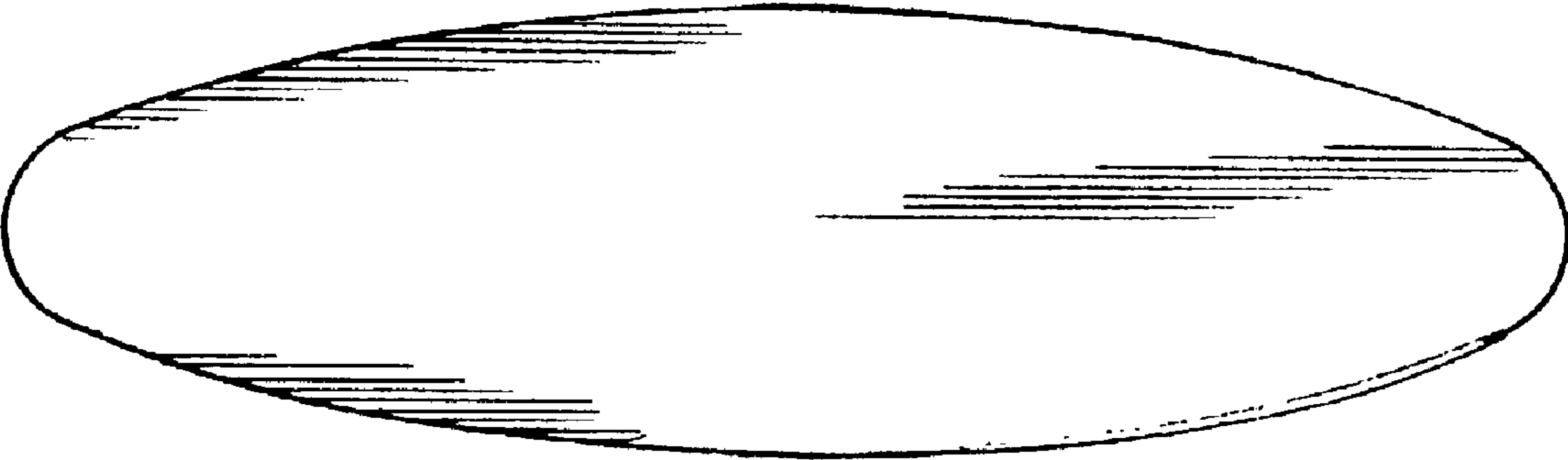


FIG. 5