



US00D501172S

(12) **United States Design Patent**  
**Kushartanto**

(10) **Patent No.:** **US D501,172 S**  
(45) **Date of Patent:** **\*\* Jan. 25, 2005**

- (54) **VEHICLE WHEEL**
- (75) Inventor: **A. Kushartanto**, Surabaya (ID)
- (73) Assignee: **PT Prima Alloy Steel Universal**,  
Sidoarjo (ID)
- (\*\*) Term: **14 Years**
- (21) Appl. No.: **29/204,310**
- (22) Filed: **Apr. 27, 2004**
- (51) **LOC (7) Cl.** ..... **12-16**
- (52) **U.S. Cl.** ..... **D12/209**
- (58) **Field of Search** ..... **D12/204-213;**  
301/37.101, 64.101, 65

- D475,337 S \* 6/2003 Kataoka ..... D12/209
- D477,557 S \* 7/2003 Iacovelli et al. .... D12/211
- D478,539 S \* 8/2003 Brown et al. .... D12/209
- D489,033 S \* 4/2004 Lee ..... D12/211

\* cited by examiner

*Primary Examiner*—Stacia Cadmus

(74) *Attorney, Agent, or Firm*—Fulwider Patton Lee & Utecht, LLP

(57) **CLAIM**

The ornamental design for the “vehicle wheel”, as shown and described.

**DESCRIPTION**

FIG. 1 is a perspective view of the vehicle wheel showing my new design;

FIG. 2 is a front elevational view thereof; and,

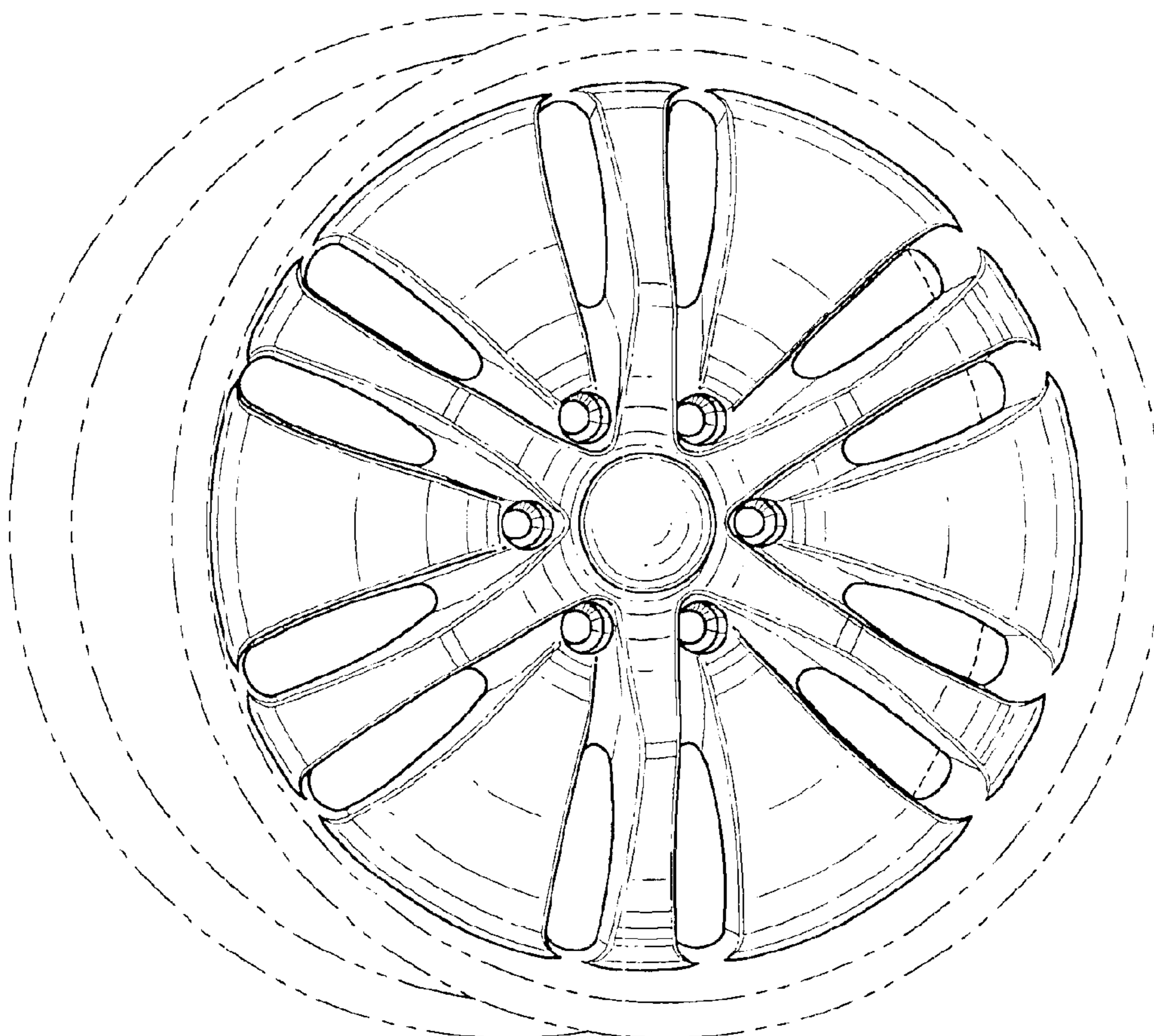
FIG. 3 is a cross-sectional view taken along the lines of 3—3 of FIG. 2.

The broken line showing of environment is for illustrative purposes only and forms no part of the claimed design.

(56) **References Cited**  
**U.S. PATENT DOCUMENTS**

- D432,481 S \* 10/2000 Brown ..... D12/209
- D449,266 S \* 10/2001 Afzal ..... D12/209
- D466,854 S \* 12/2002 Kern ..... D12/211
- D468,251 S \* 1/2003 Chung ..... D12/211

**1 Claim, 3 Drawing Sheets**



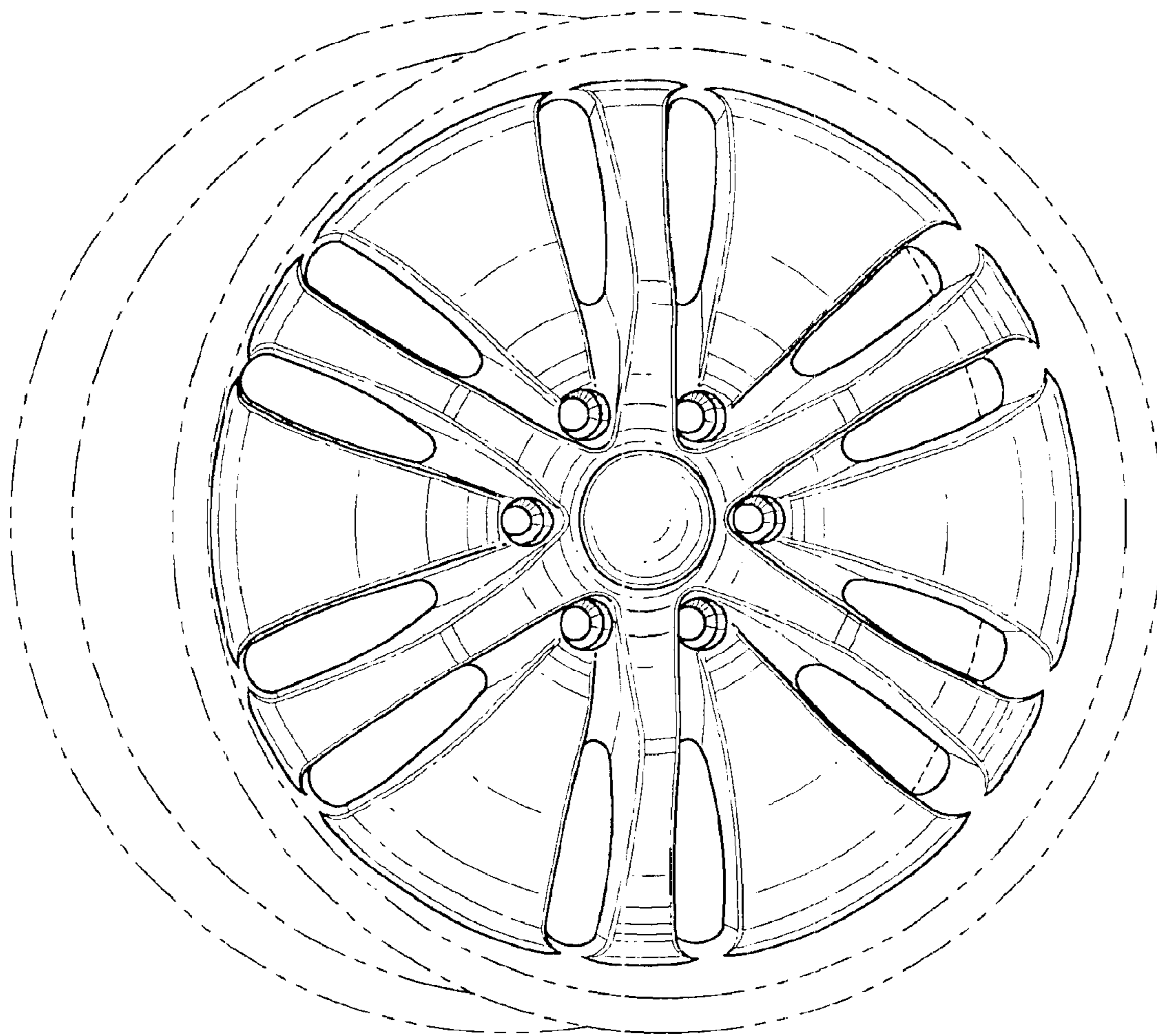


FIG. 1

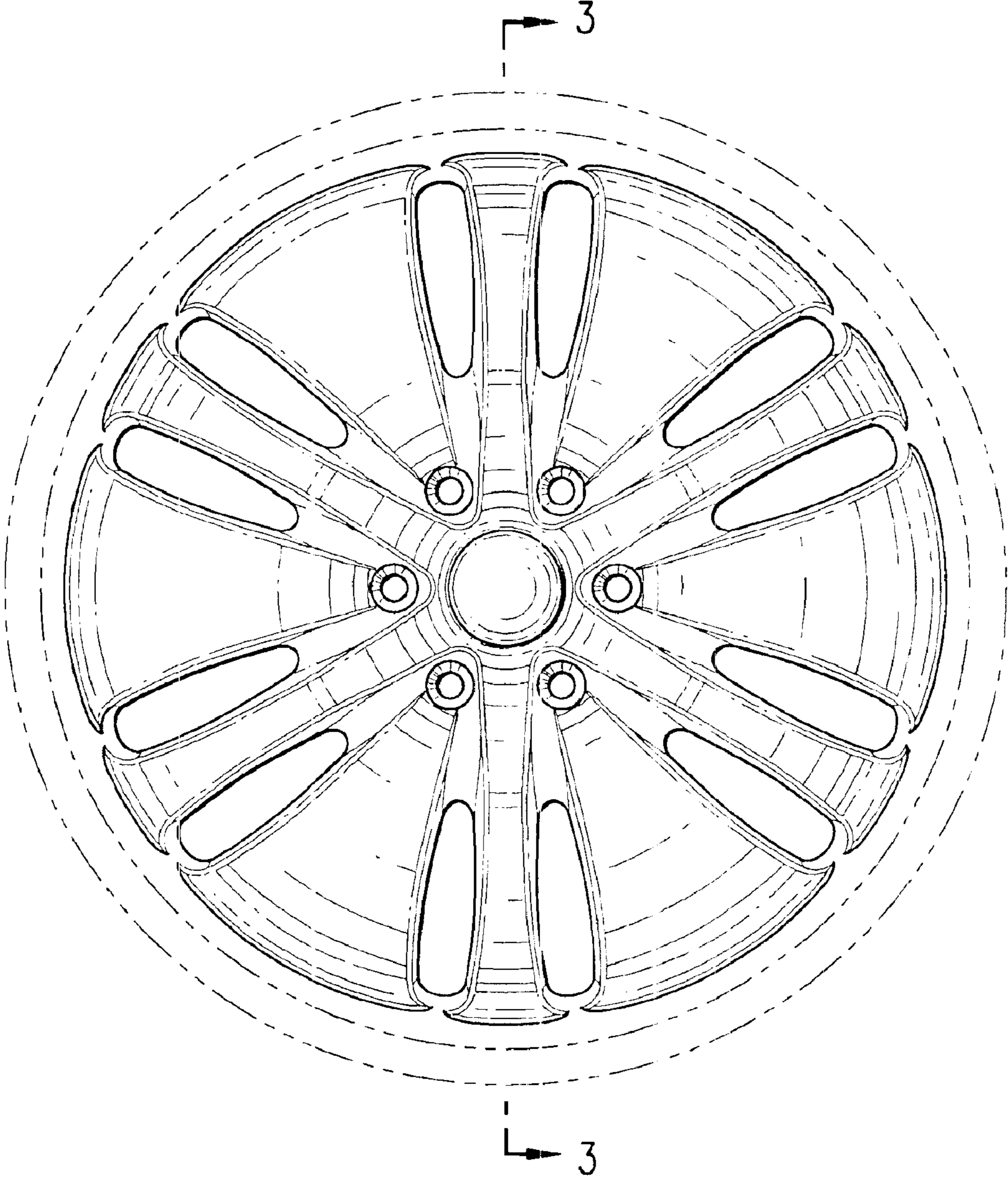


FIG. 2

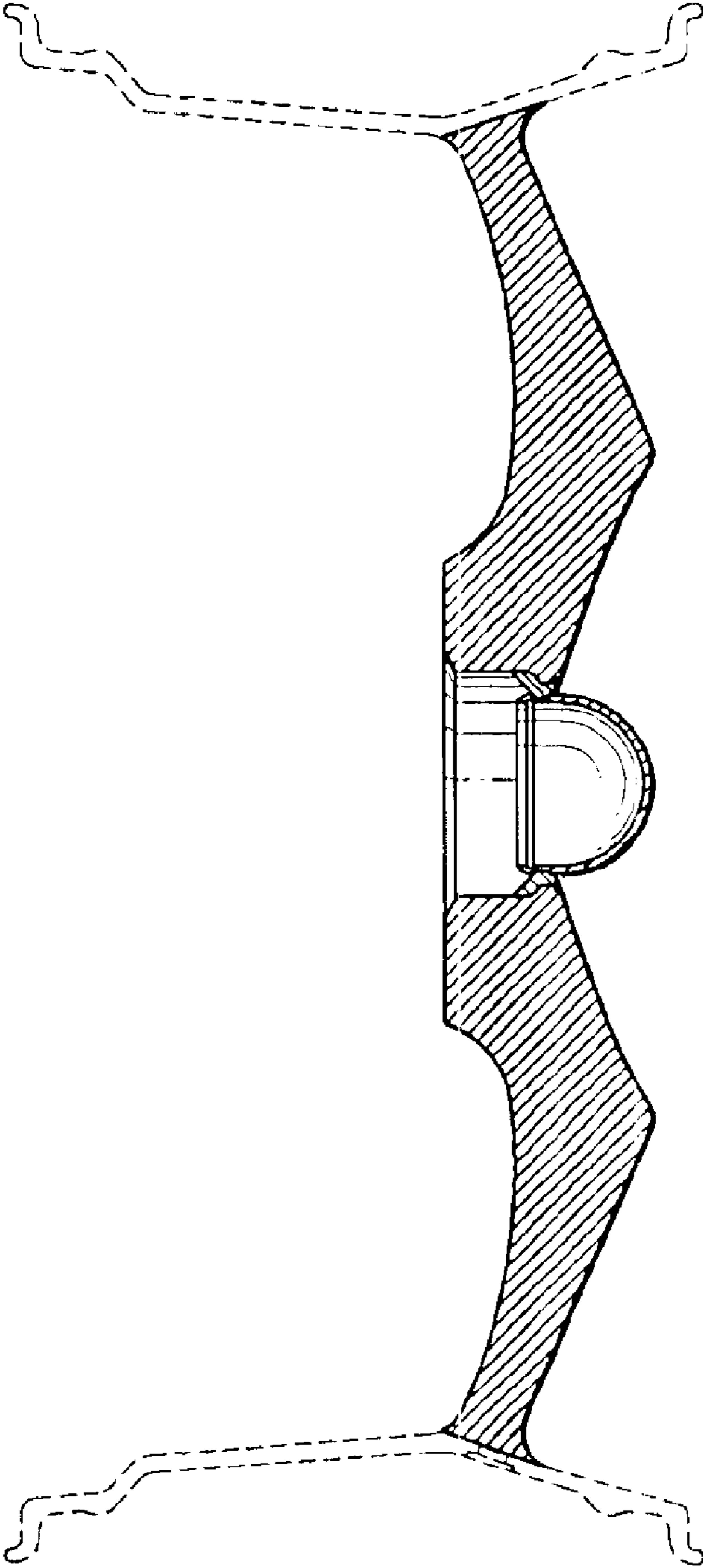


FIG. 3