



US00D501165S

(12) **United States Design Patent**
Grove

(10) **Patent No.:** **US D501,165 S**

(45) **Date of Patent:** **** Jan. 25, 2005**

(54) **MOTORCYCLE SIGNAL MIRROR**

2003/0179087 A1 * 9/2003 Stahel 340/475

(76) **Inventor:** **James E. Grove**, 4316 Marina City Dr.,
#423CTN, Marina del Rey, CA (US)
90292

* cited by examiner

Primary Examiner—Alan P. Douglas

Assistant Examiner—Linda Brooks

(74) *Attorney, Agent, or Firm*—Jack C. Munro

(**) **Term:** **14 Years**

(57) **CLAIM**

(21) **Appl. No.:** **29/188,244**

The ornamental design for a motorcycle signal mirror, as shown.

(22) **Filed:** **Aug. 15, 2003**

(51) **LOC (7) Cl.** **12-16**

DESCRIPTION

(52) **U.S. Cl.** **D12/188**

(58) **Field of Search** D12/110, 187–189;
D26/28–35; 362/473–476, 135, 498; 340/470,
472, 475; 359/842; D10/109–112, 114,
121

FIG. 1 is a front elevational view of the motorcycle signal mirror showing my new design;

FIG. 2 is a right side elevational view thereof;

FIG. 3 is a left side elevational view thereof;

FIG. 4 is a back elevational view thereof;

FIG. 5 is a top plan view thereof; and,

FIG. 6 is a bottom plan view thereof.

The broken lines shown are for illustrative purposes only and form no part of the claimed design.

(56) **References Cited**

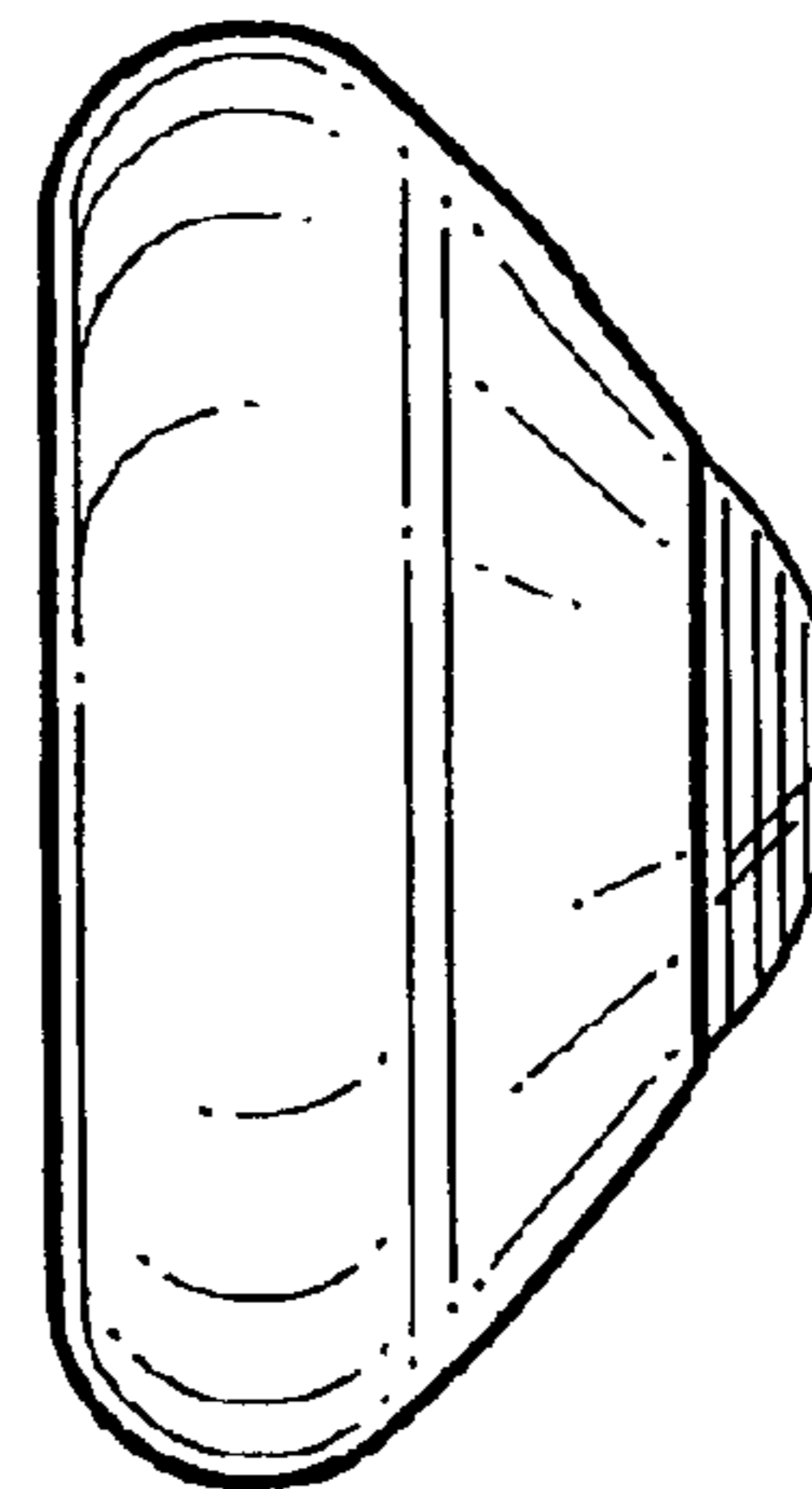
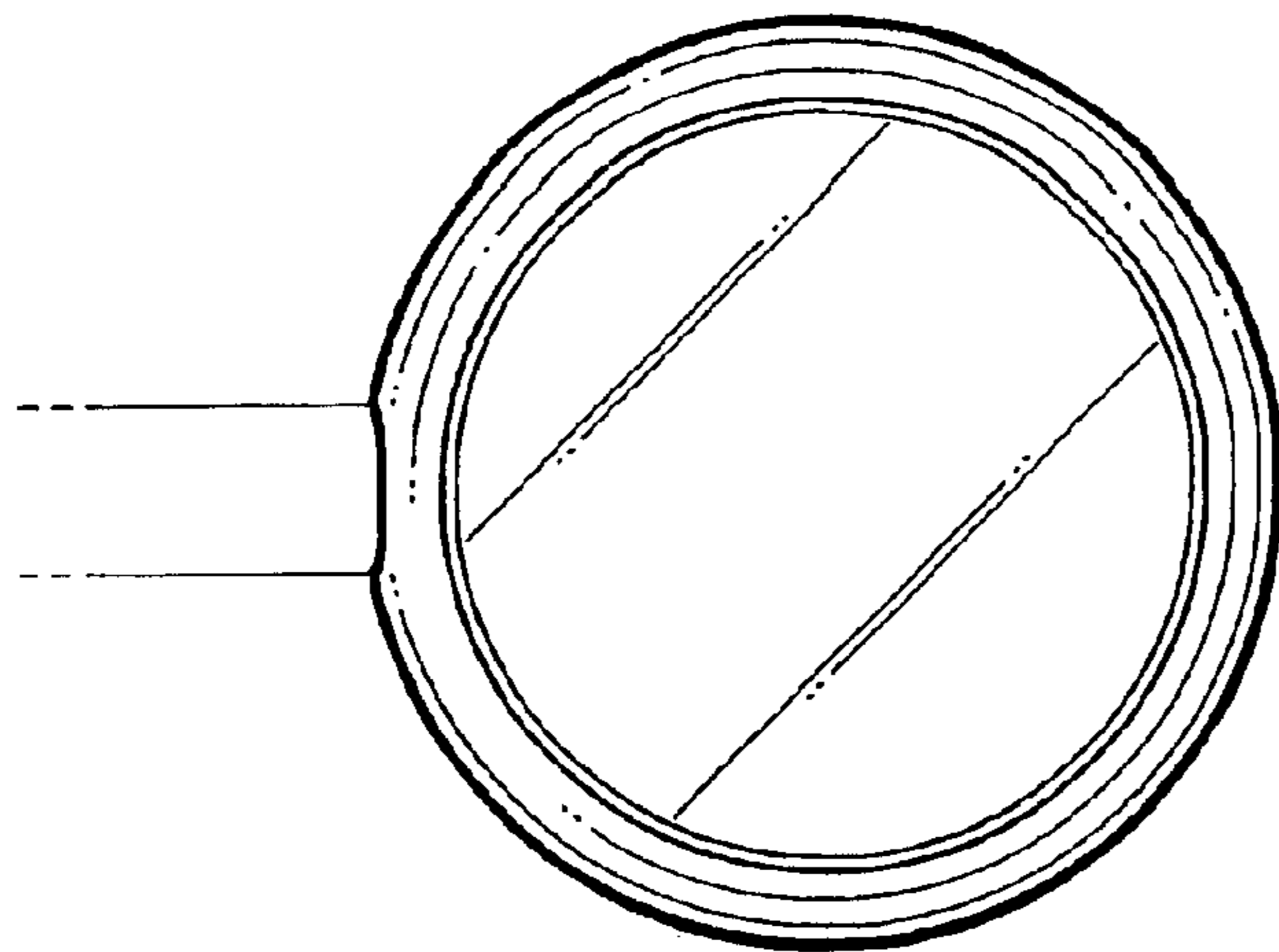
U.S. PATENT DOCUMENTS

D263,948 S * 4/1982 Niggemann D12/189

D422,722 S * 4/2000 Reed D26/28

6,049,271 A * 4/2000 Chu 340/475 X

1 Claim, 1 Drawing Sheet



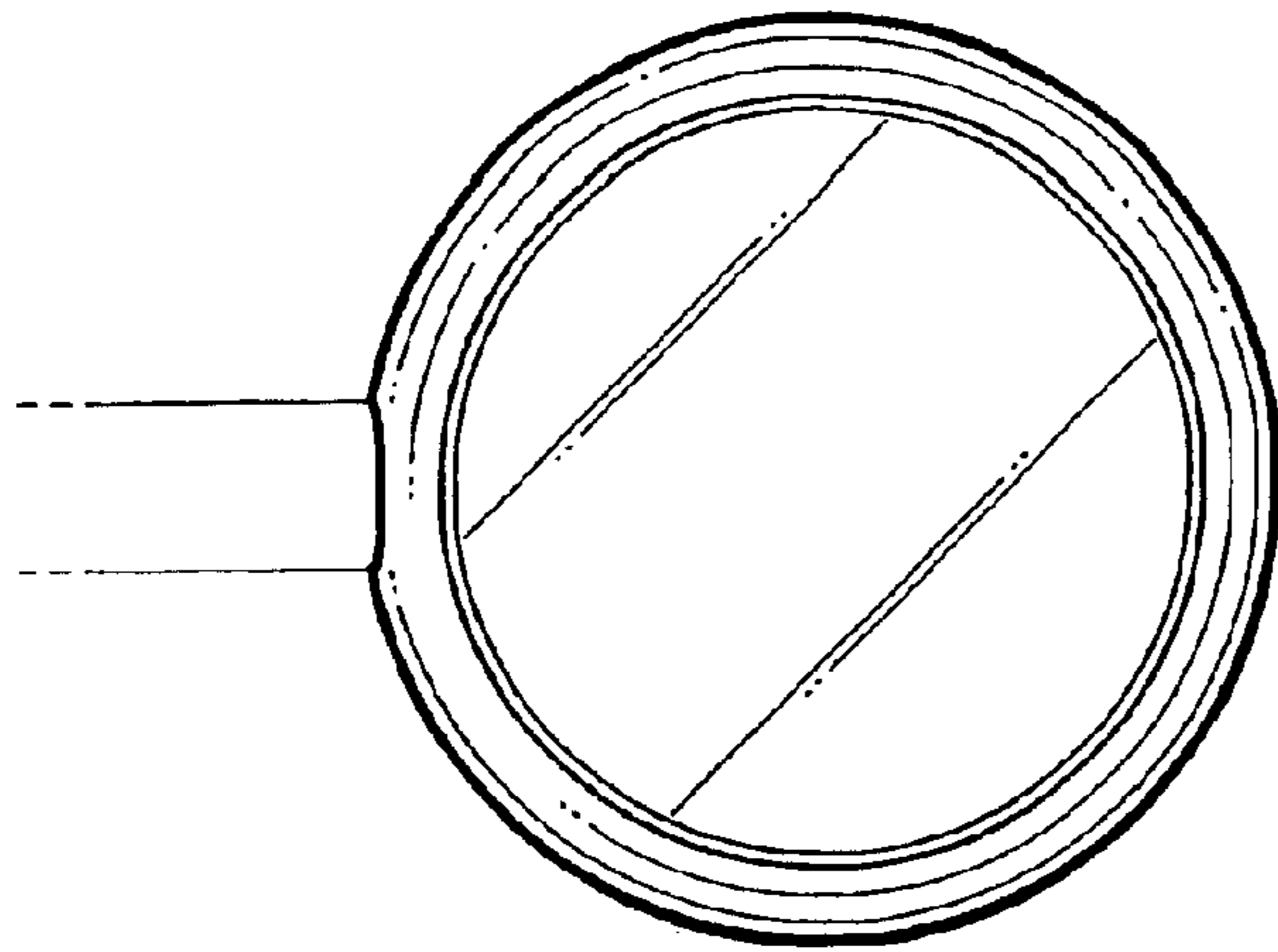


FIG. 1

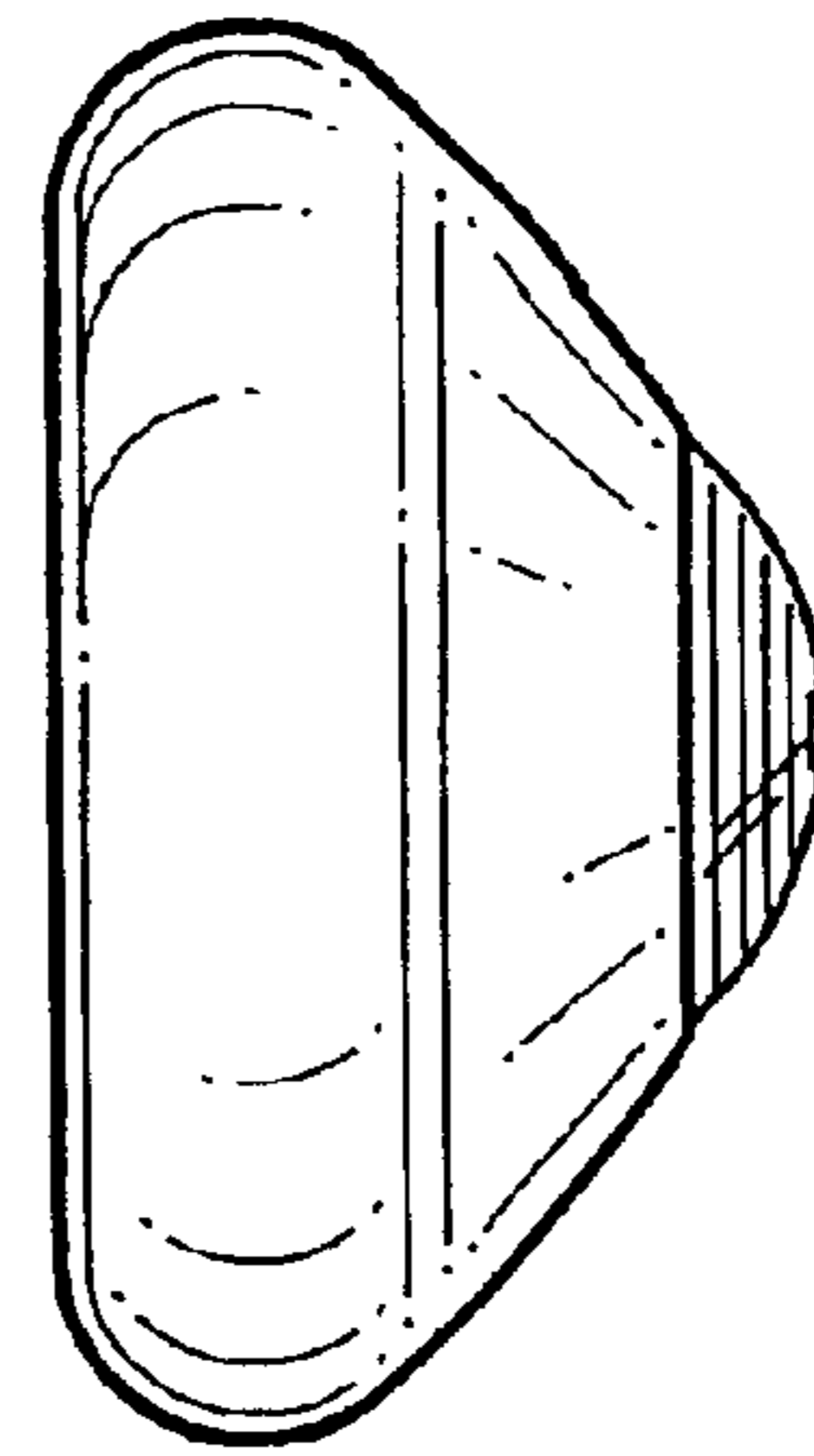


FIG. 2

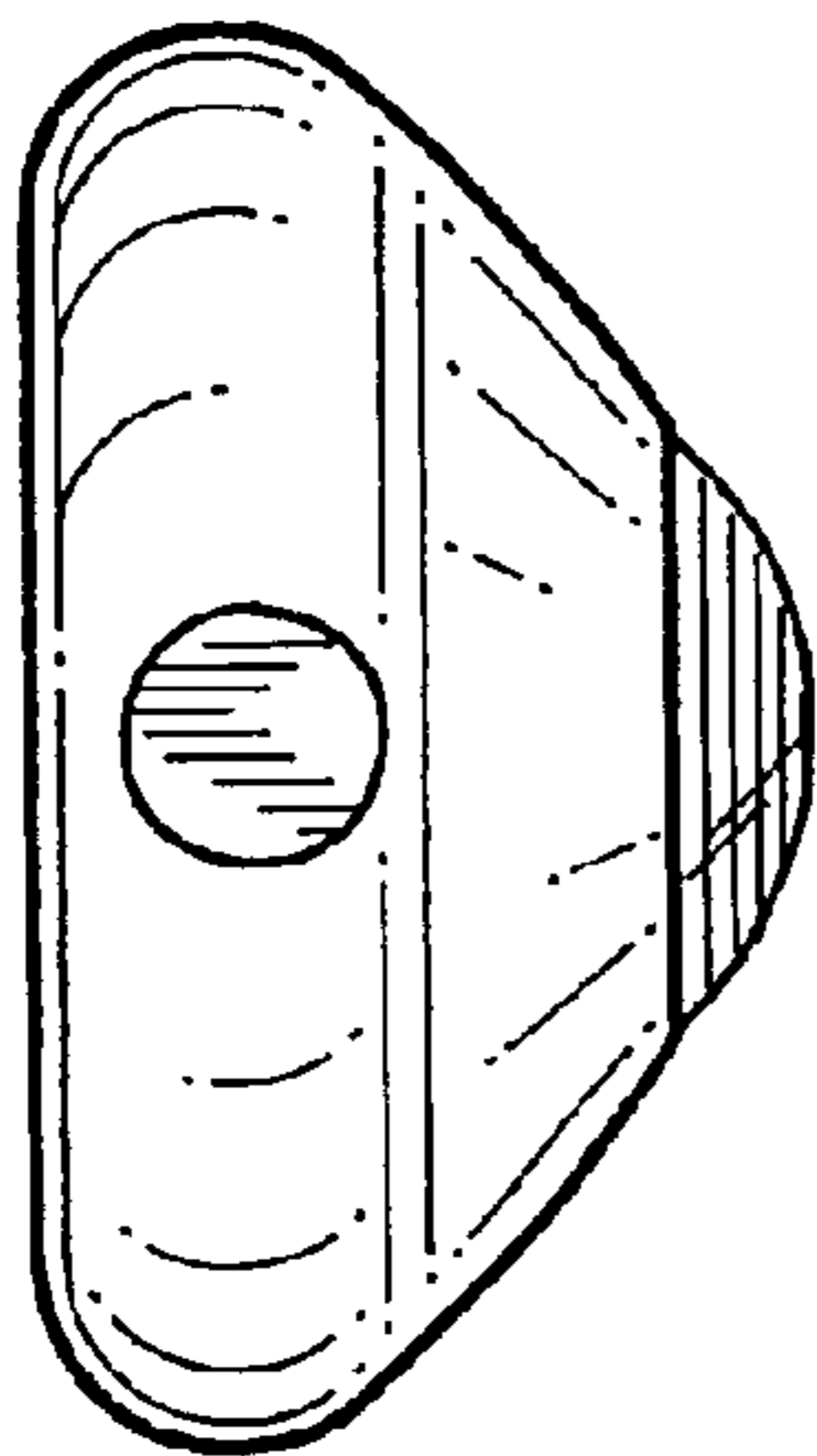


FIG. 3

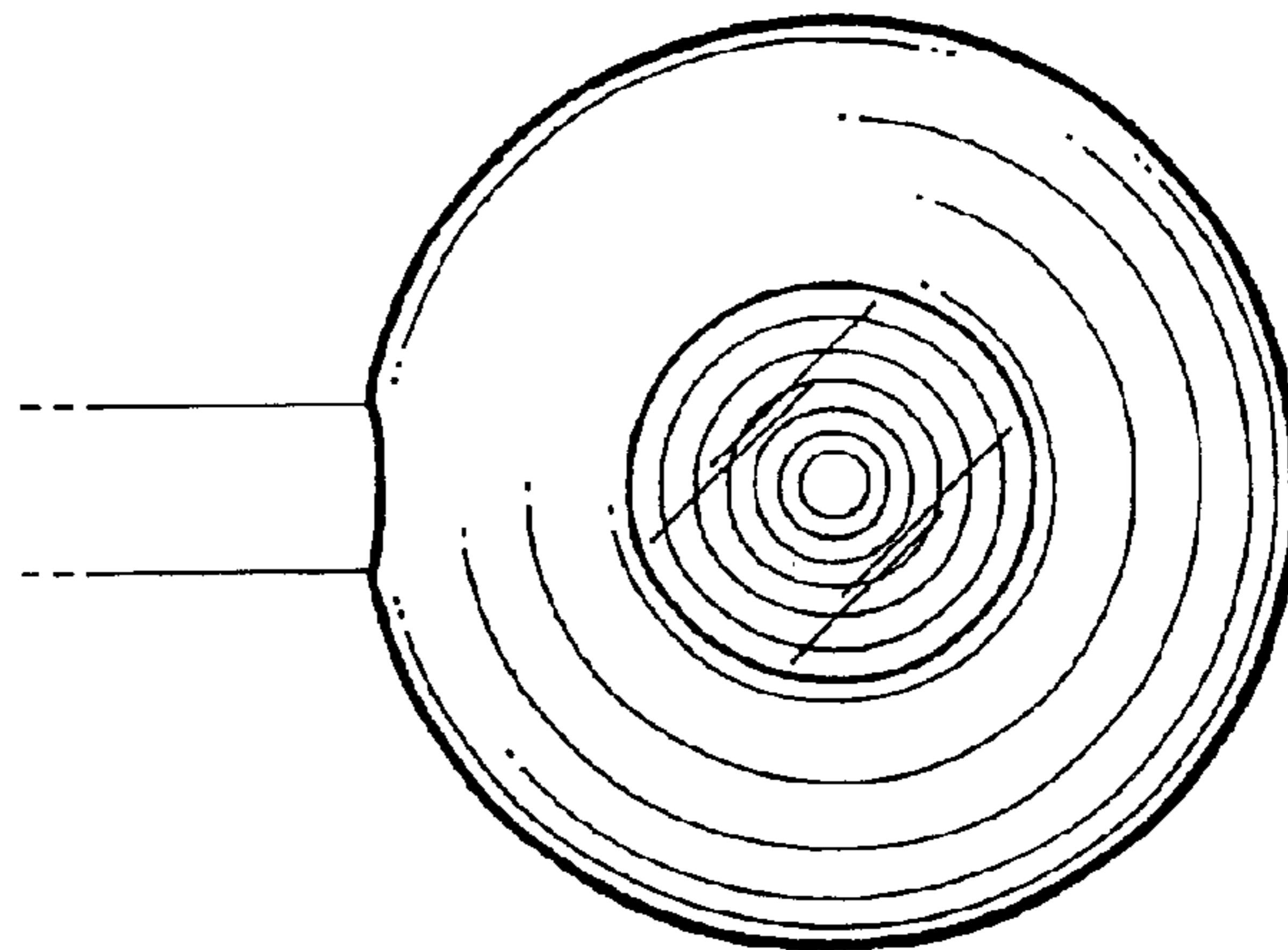


FIG. 4

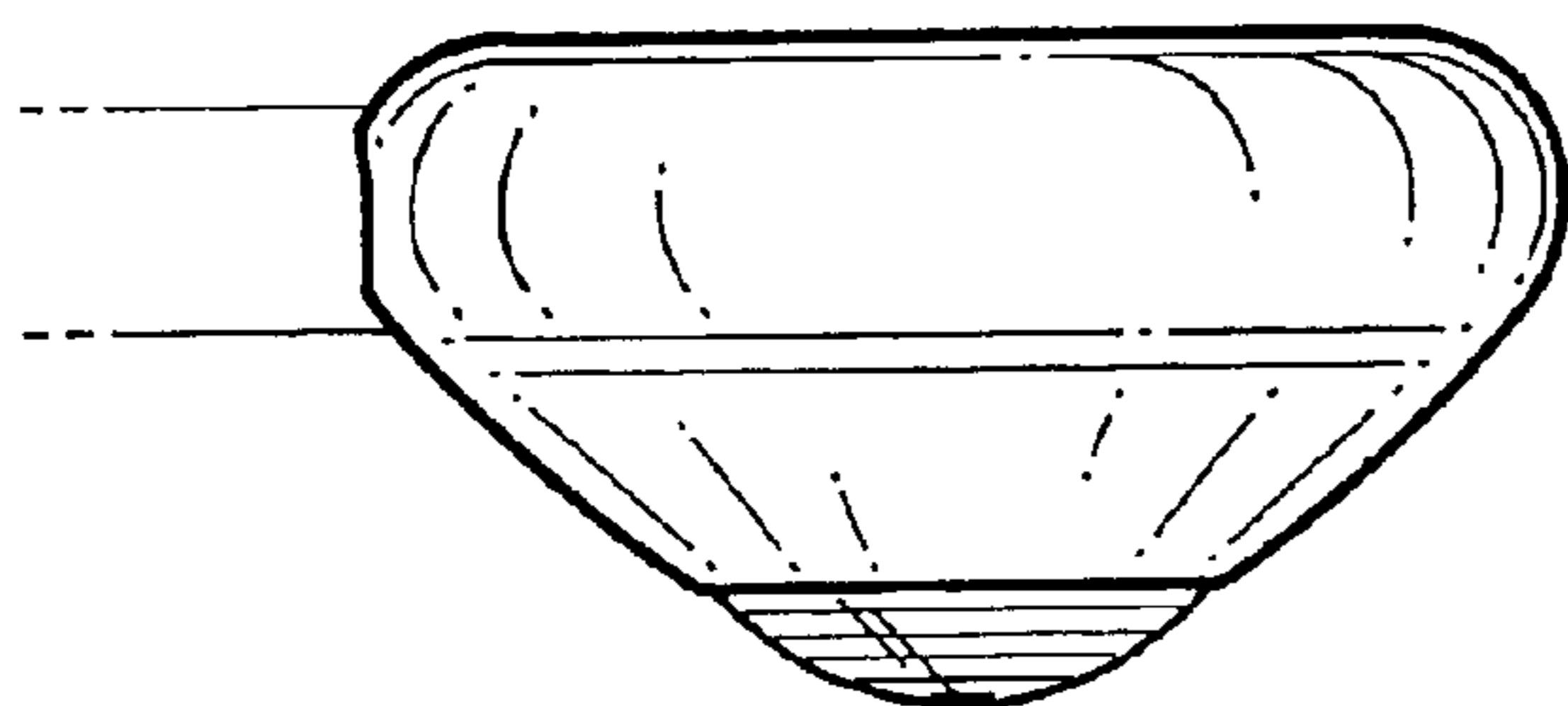


FIG. 5

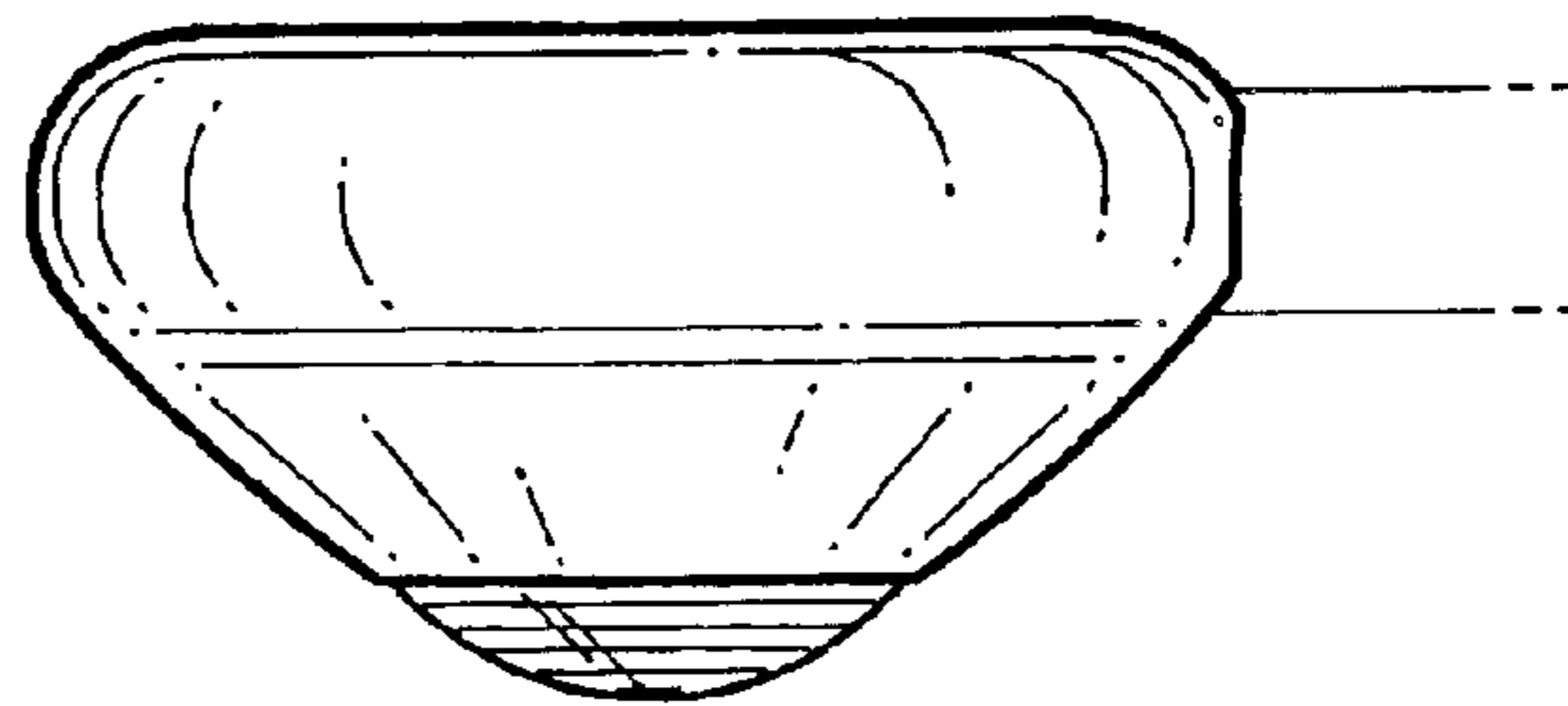


FIG. 6