



US00D501158S

(12) **United States Design Patent**
Luh

(10) **Patent No.:** **US D501,158 S**
(45) **Date of Patent:** **** Jan. 25, 2005**

(54) **BEACH MOTOR VEHICLE**

D491,491 S * 6/2004 Luh D12/107

(75) **Inventor:** **Tai-Yang Luh**, Taichung (TW)

* cited by examiner

(73) **Assignee:** **Ding Li Metal Industrial Co., Ltd**,
Taichung (TW)

Primary Examiner—Alan P. Douglas
Assistant Examiner—Linda Brooks

(**) **Term:** **14 Years**

(57) **CLAIM**

The ornamental design for a beach motor vehicle, as shown and described.

(21) **Appl. No.:** **29/196,099**

(22) **Filed:** **Dec. 17, 2003**

DESCRIPTION

(51) **LOC (7) Cl.** **12-11**

FIG. 1 is a front perspective view of a beach motor vehicle showing my new design;

(52) **U.S. Cl.** **D12/107**

FIG. 2 is a front elevational view thereof;

(58) **Field of Search** D12/87, 107; 180/225,
180/229, 233, 311, 312, 315

FIG. 3 is a rear elevational view thereof;

FIG. 4 is a top plan view thereof;

FIG. 5 is a bottom plan view thereof;

FIG. 6 is a left side elevational view thereof; and,

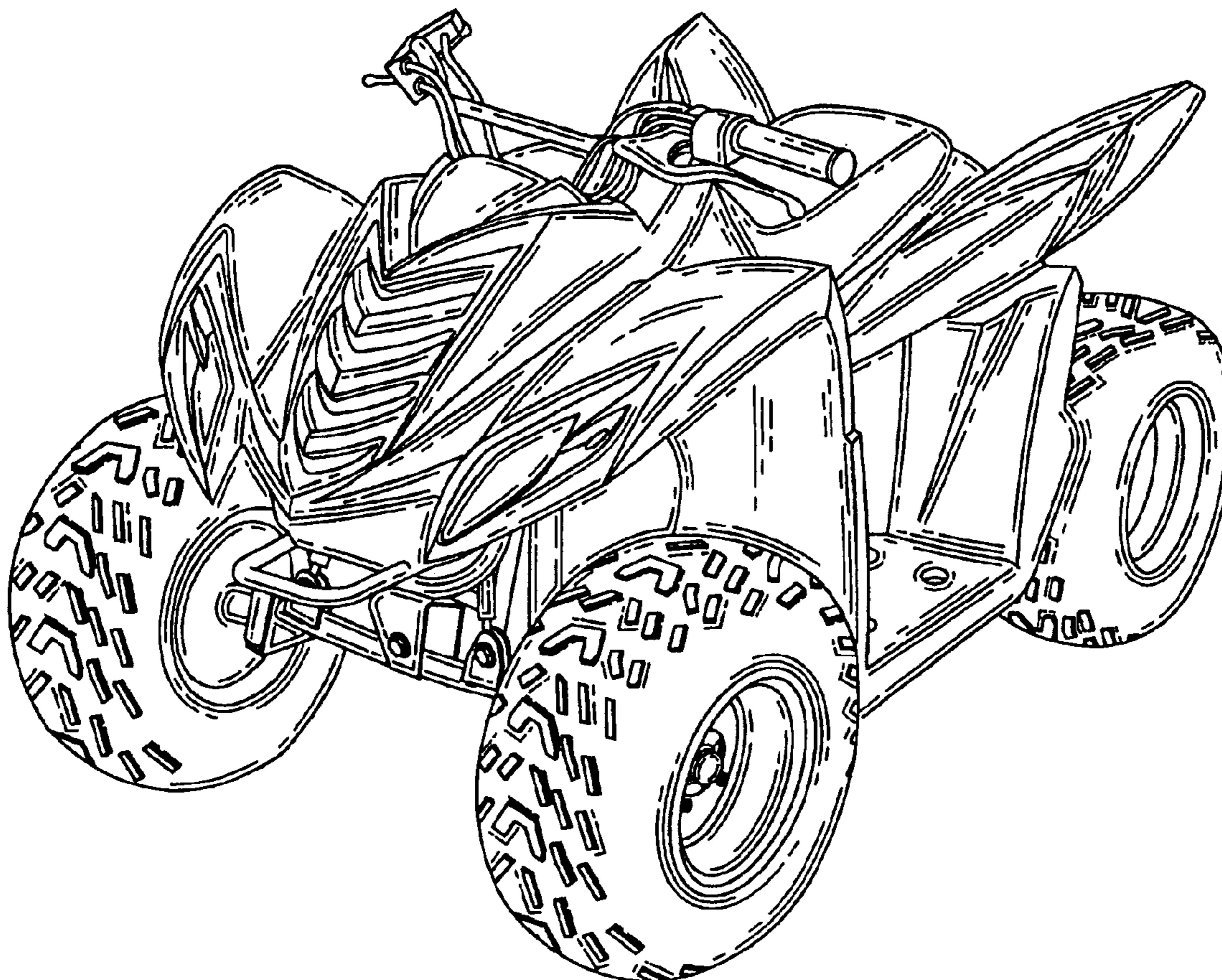
FIG. 7 is a right side elevational view thereof.

(56) **References Cited**

U.S. PATENT DOCUMENTS

D445,363 S * 7/2001 Luh D12/107
D446,475 S * 8/2001 Luh D12/107
D485,213 S * 1/2004 Wu D12/107

1 Claim, 7 Drawing Sheets



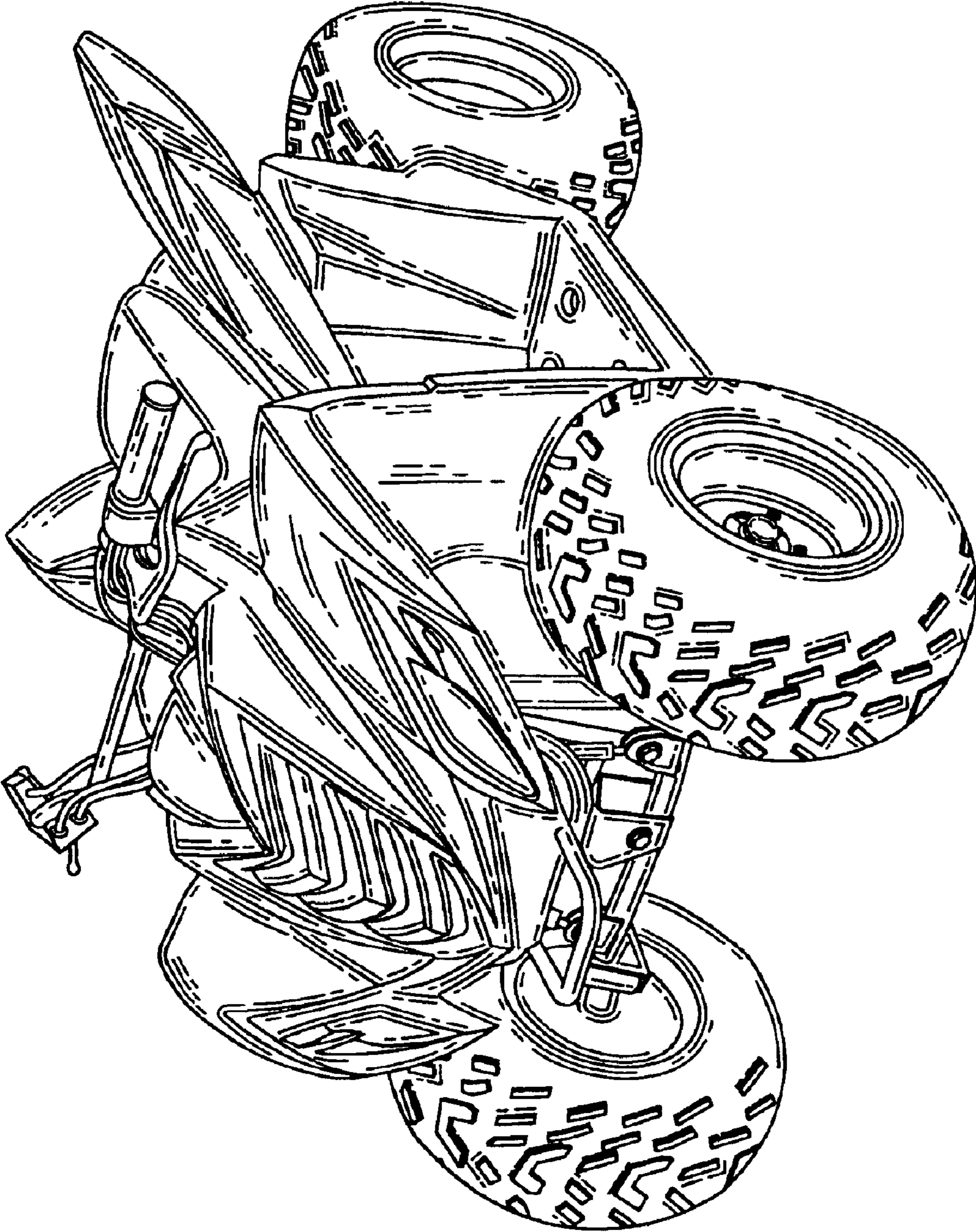


FIG. 1

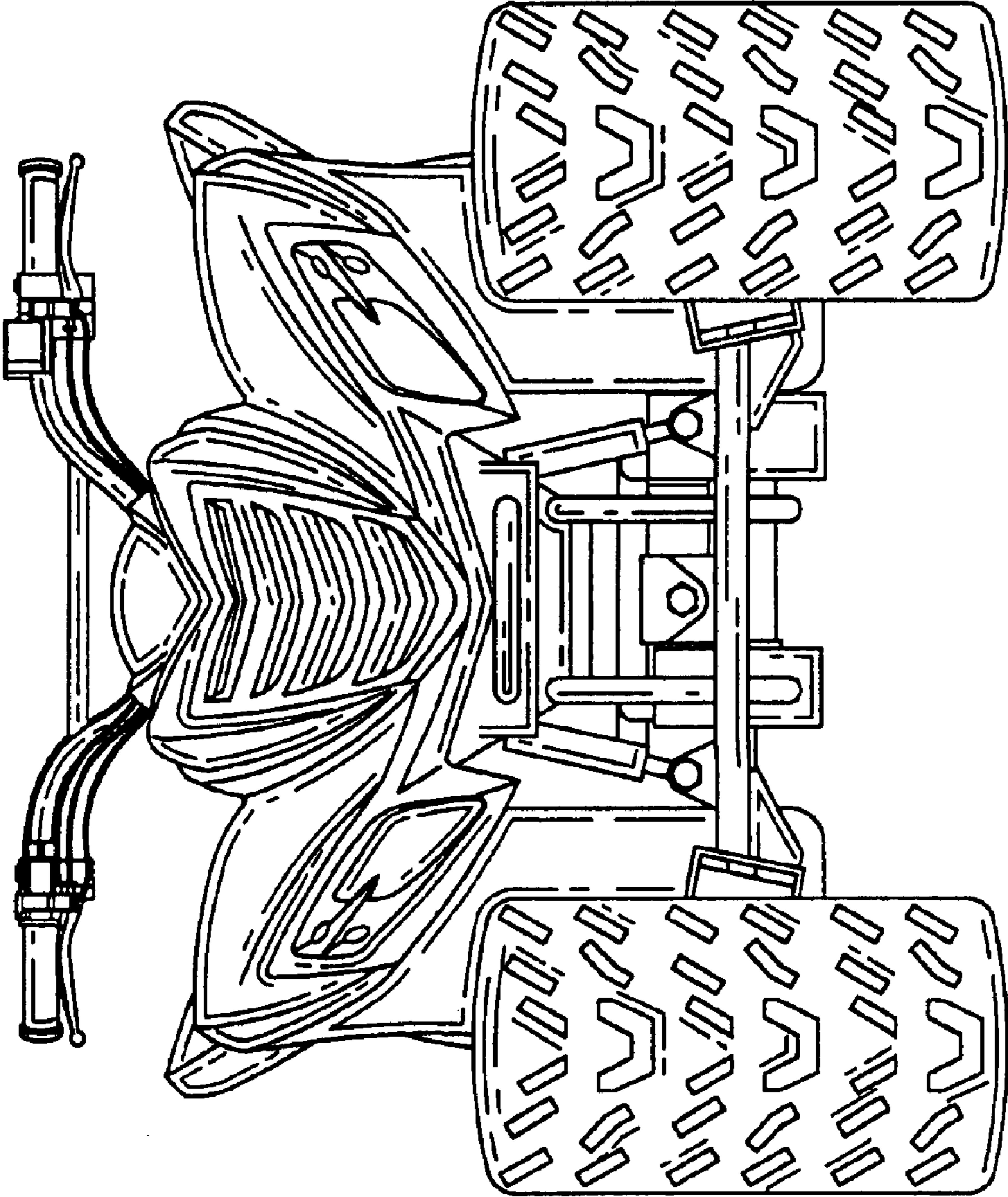


FIG. 2

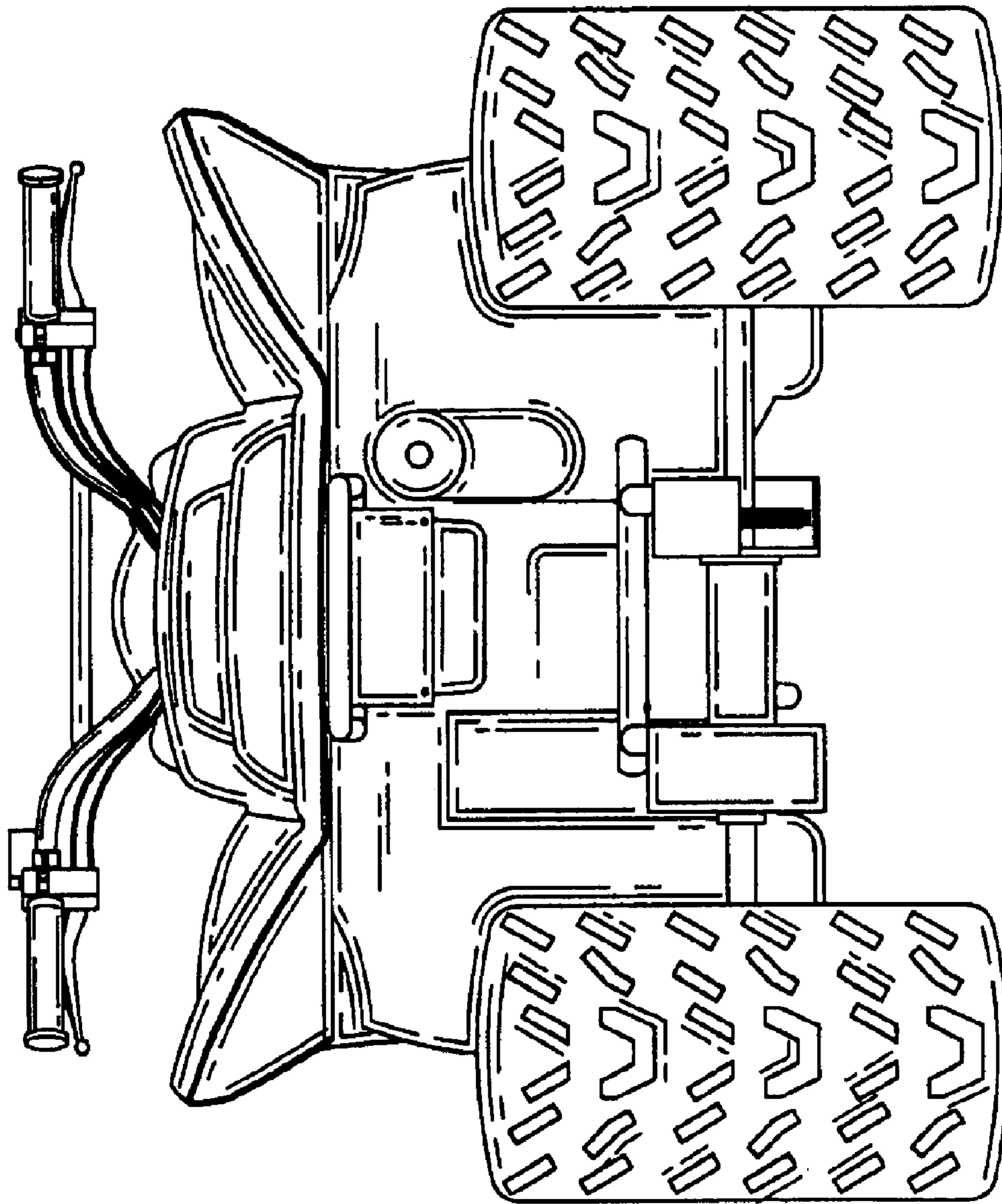


FIG. 3

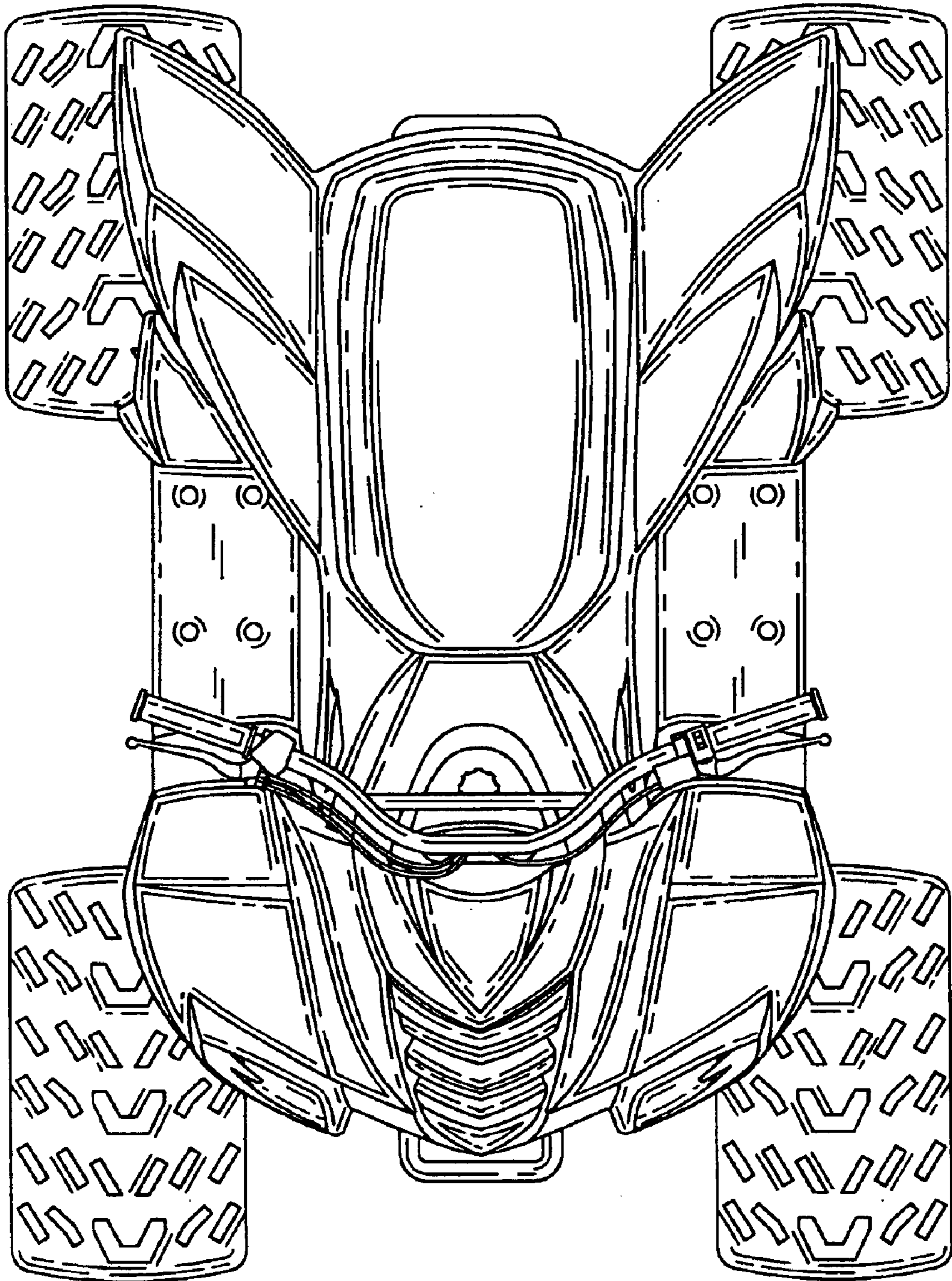


FIG. 4

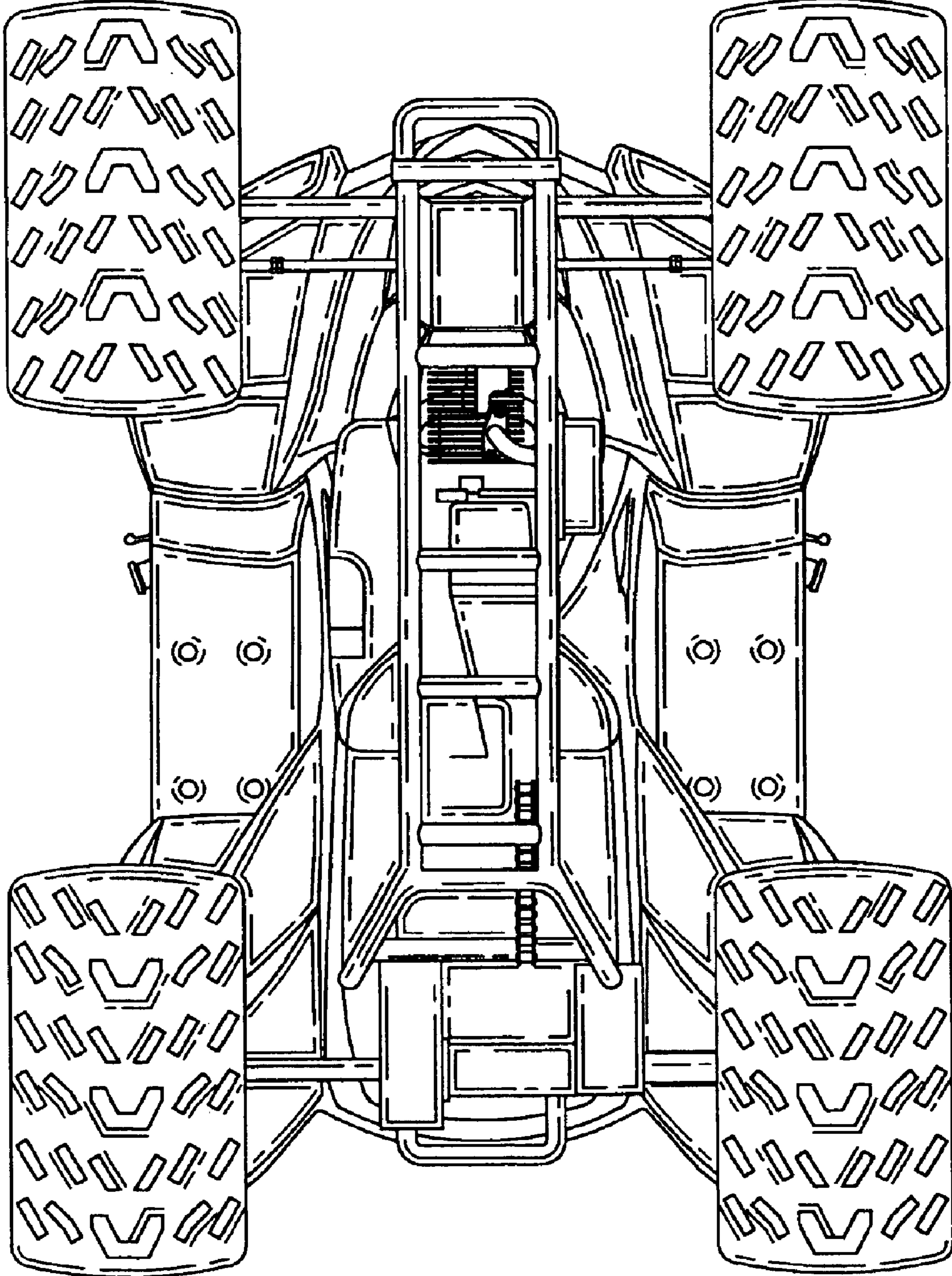


FIG. 5

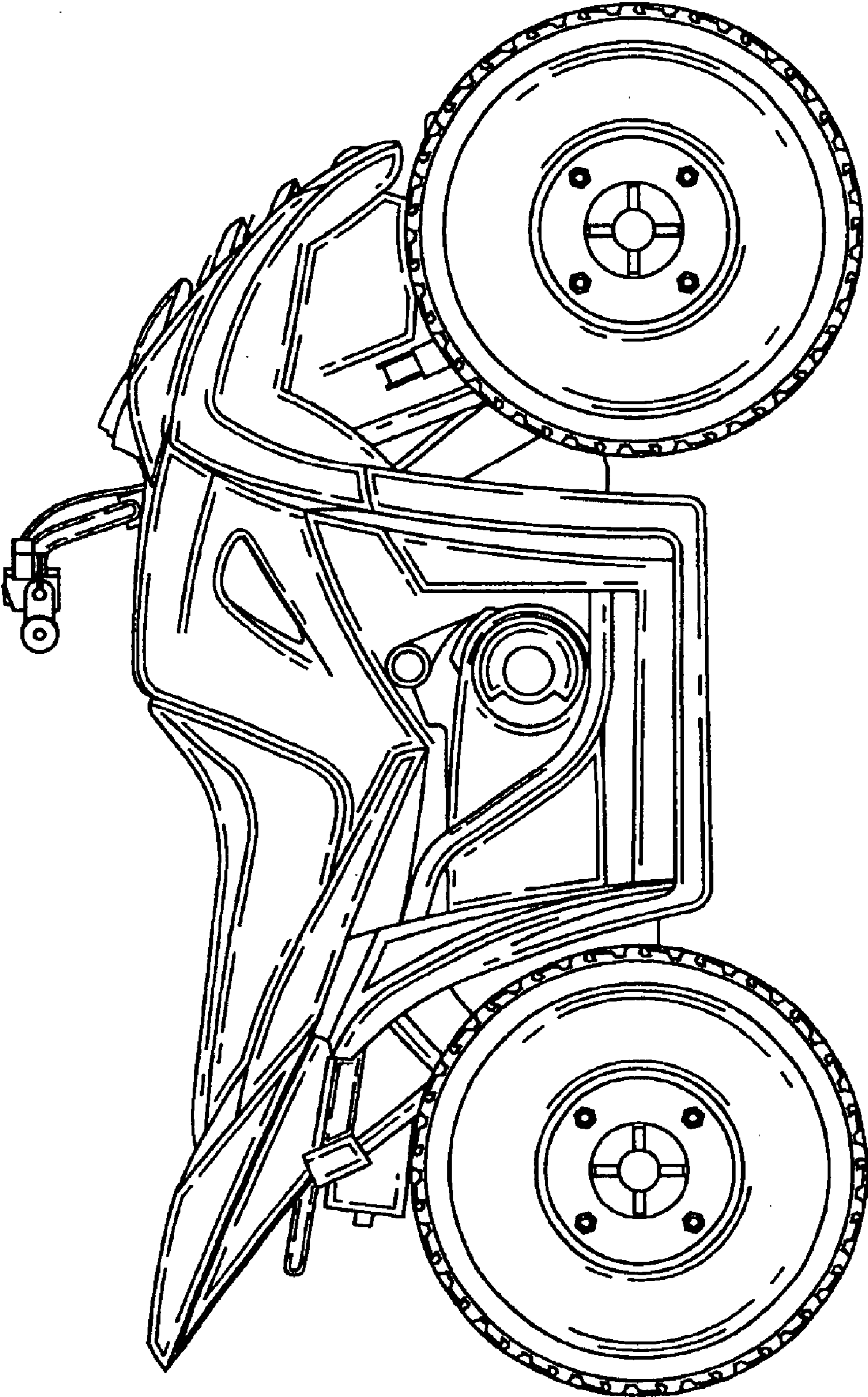


FIG. 6

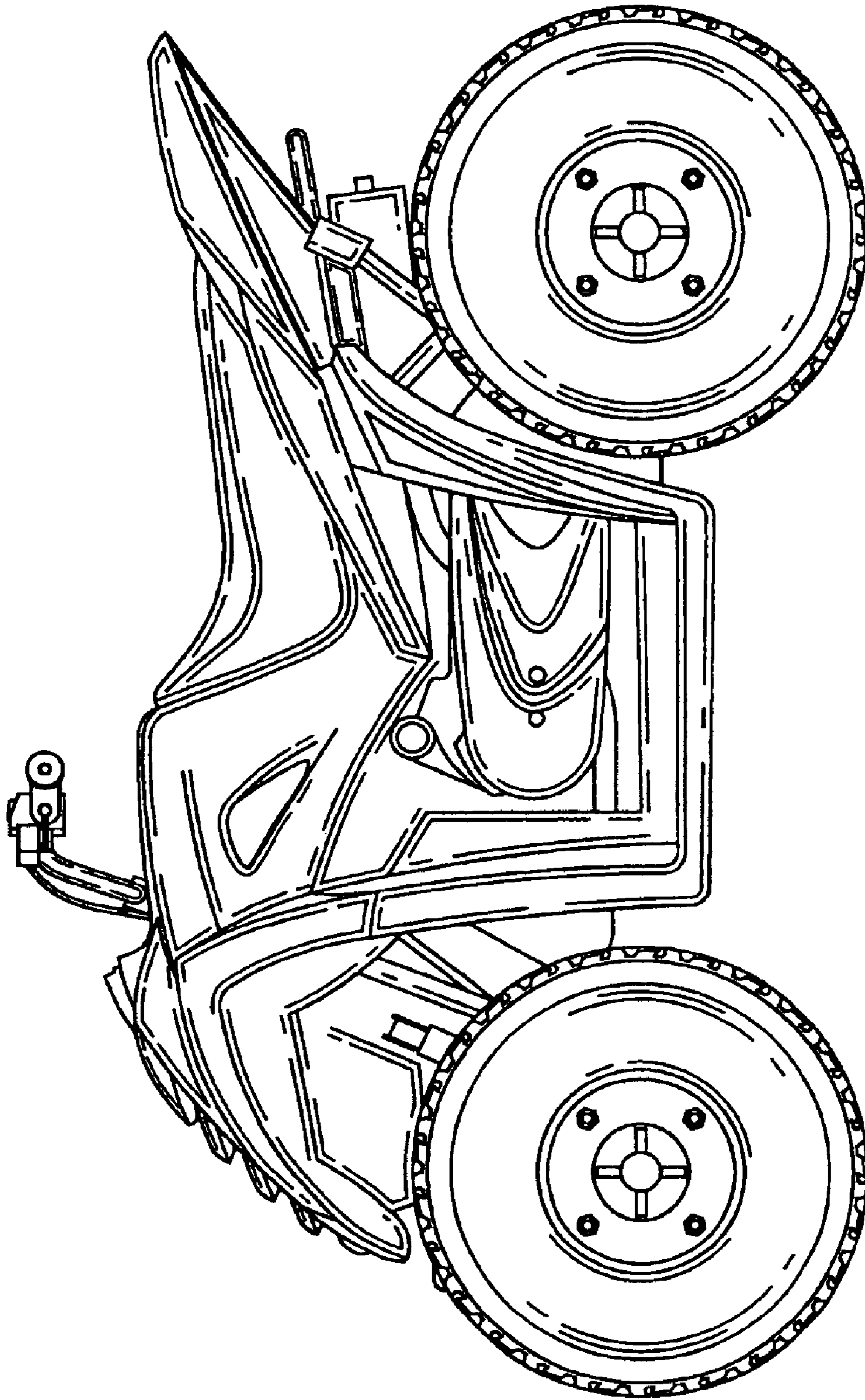


FIG. 7