

US00D501145S

(12) **United States Design Patent**
Bras et al.

(10) **Patent No.:** **US D501,145 S**
(45) **Date of Patent:** **** Jan. 25, 2005**

(54) **MULTIMETER**

- (75) Inventors: **Jaroslav Bras**, Cooper City, FL (US);
Gabriel Orenstein, Miami, FL (US)
- (73) Assignee: **Advanced Test Products, Inc.**,
Miramar, FL (US)
- (**) Term: **14 Years**

- (21) Appl. No.: **29/201,701**
- (22) Filed: **Mar. 19, 2004**

- (51) **LOC (7) Cl.** **10-04**
- (52) **U.S. Cl.** **D10/78**
- (58) **Field of Search** D10/78, 75, 80;
324/115, 156, 114, 149, 99 D, 72.5, 110,
151 A, 151 R, 142, 107, 127, 157; 379/21;
340/653, 660; 439/482

(56) **References Cited**

U.S. PATENT DOCUMENTS

4,238,728	A	*	12/1980	Wells et al.	324/149
D365,031	S	*	12/1995	Kim	D10/78
D395,252	S	*	6/1998	Nelson et al.	D10/78
D406,540	S	*	3/1999	Anzalone	D10/78
6,218,824	B1	*	4/2001	Oldstead et al.	324/115
D446,463	S	*	8/2001	Chang	D10/78
D446,735	S	*	8/2001	McCain	D10/78
D472,828	S	*	4/2003	Chang	D10/78
D473,809	S	*	4/2003	Disch	D10/78

OTHER PUBLICATIONS

Carlton-Bates, Summer, 2002, p. 31, "Wavetek Meterman HD115B" digital multimeter, [retrieved Oct. 12, 2004]. Retrieved from internet using Google Advanced Catalog search, <URL:www.carlton-bates.com>.*

Wassco, Nov. 2003, p. 83, "Fluke" 110 Series Digital multimeter, [retrieved Oct. 12, 2004]. Retrieved from internet using Google Advanced Catalog Search, <URL:www.wassco.com>.*

* cited by examiner

Primary Examiner—Lucy Lieberman

(74) *Attorney, Agent, or Firm*—Baker & Hostetler LLP

(57) **CLAIM**

The ornamental design for a multimeter, as shown and described.

DESCRIPTION

FIG. 1 is a perspective view of a multimeter showing our new design;

FIG. 2 is a front view thereof;

FIG. 3 is a rear view thereof;

FIG. 4 is a right side view thereof;

FIG. 5 is a left side view thereof;

FIG. 6 is a top view thereof; and,

FIG. 7 is a bottom view thereof.

The broken lines in the drawings are for illustrative purposes only and do not form part of the claimed design.

1 Claim, 7 Drawing Sheets

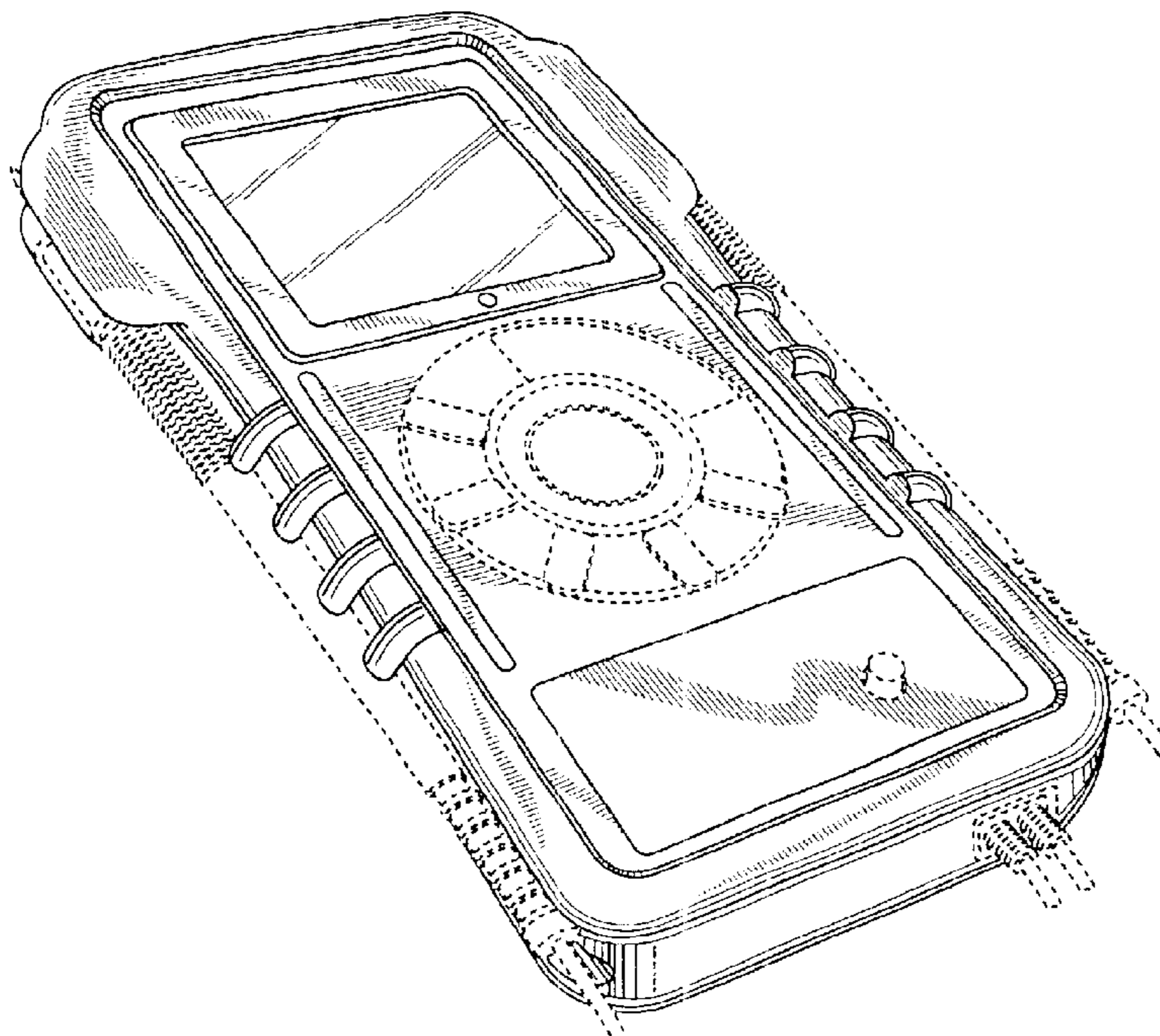


FIG. 1

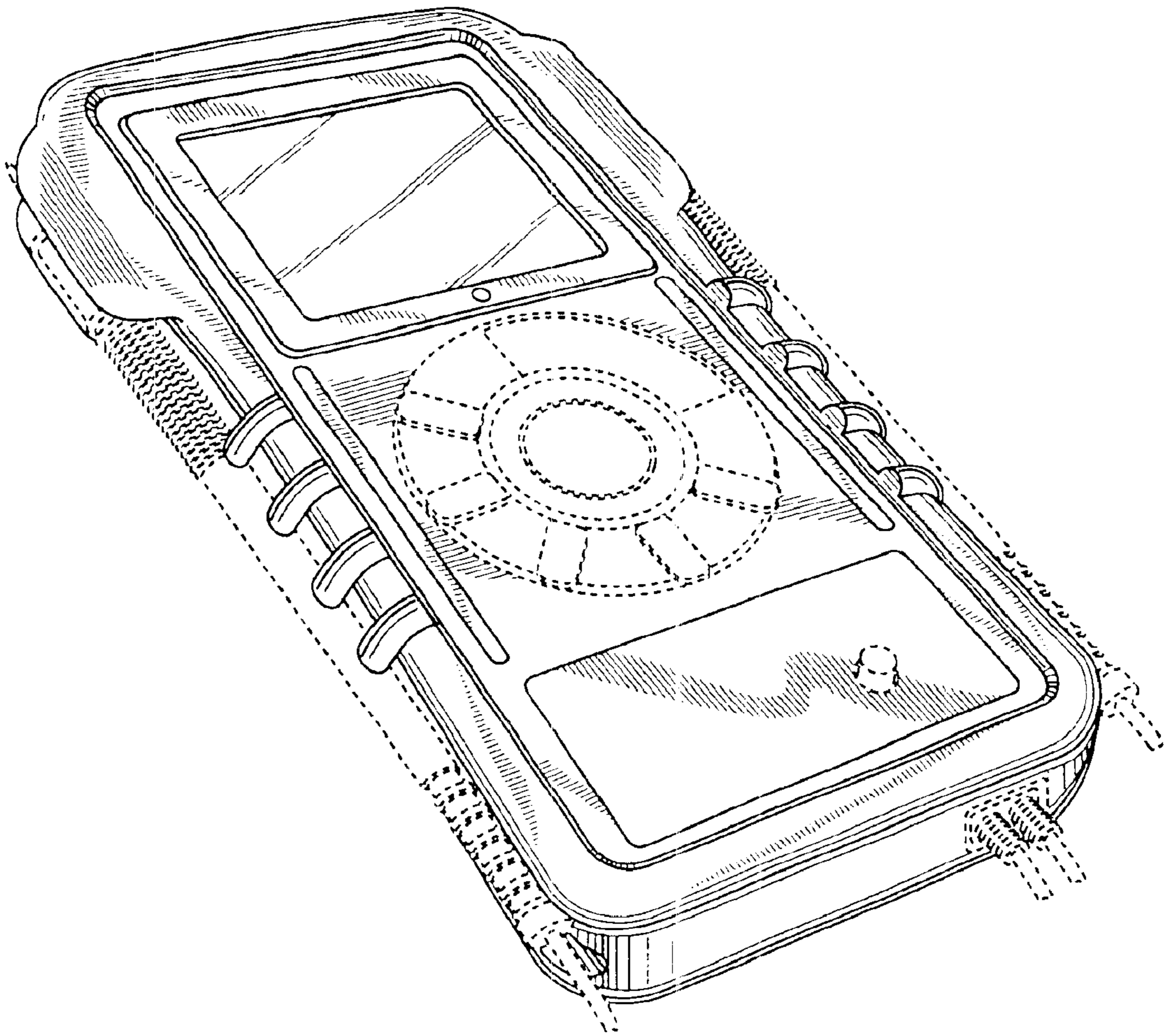


FIG. 2

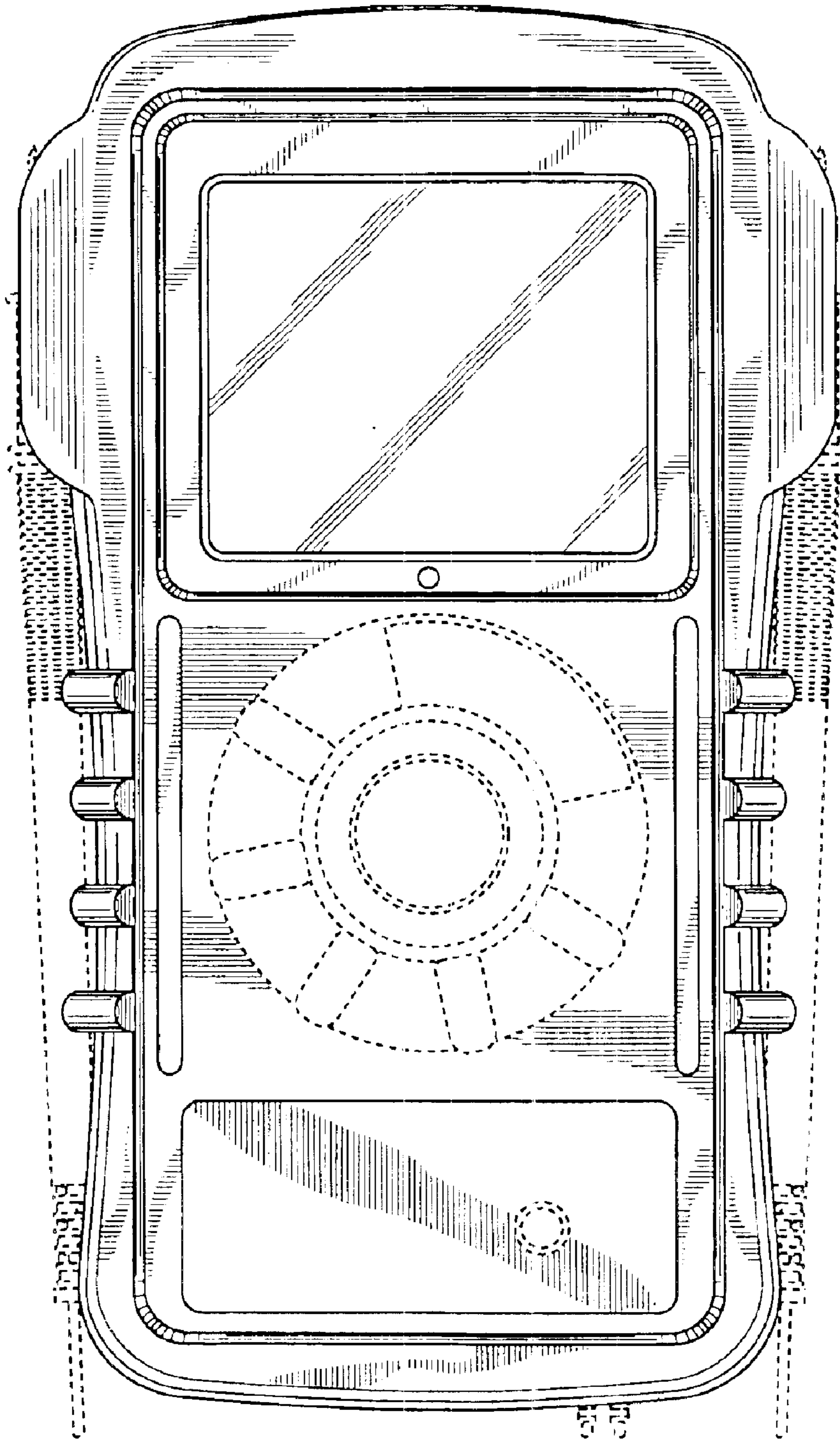


FIG. 3

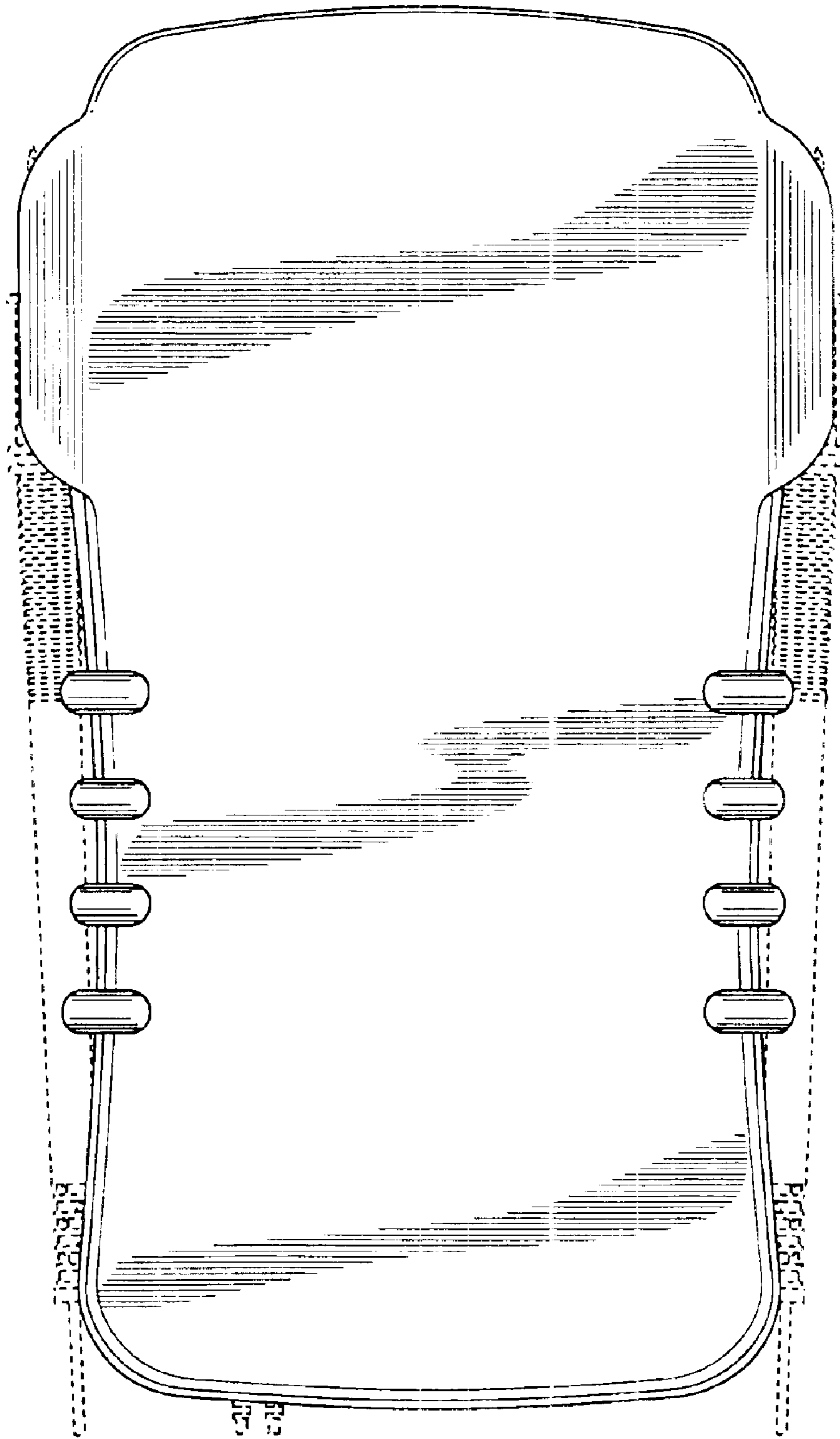


FIG. 4

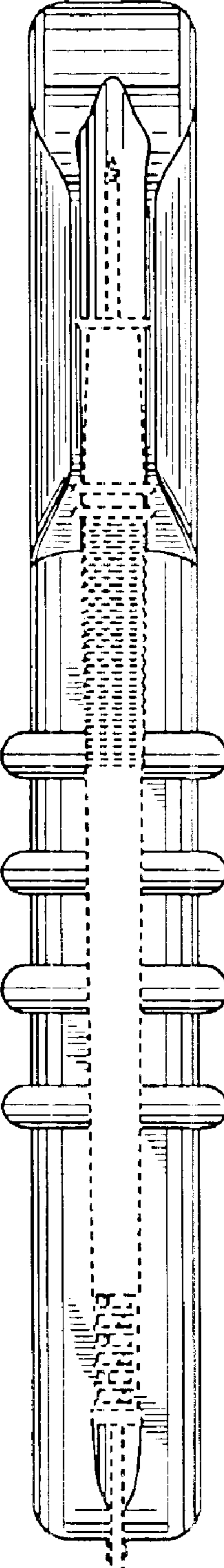


FIG. 5

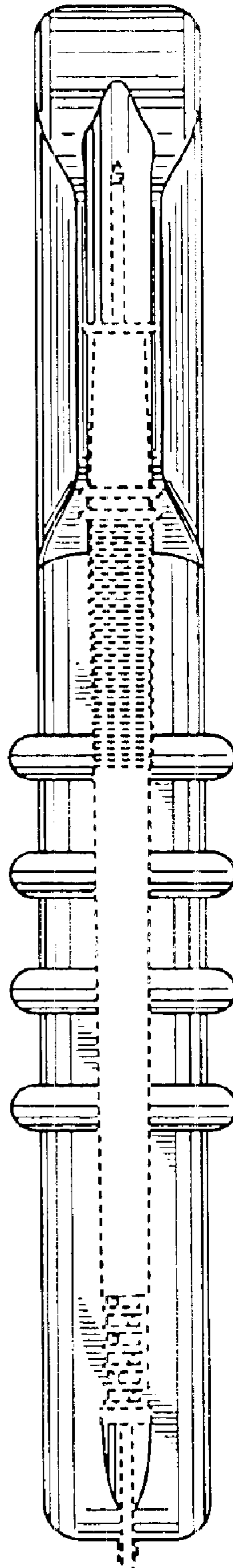


FIG. 6

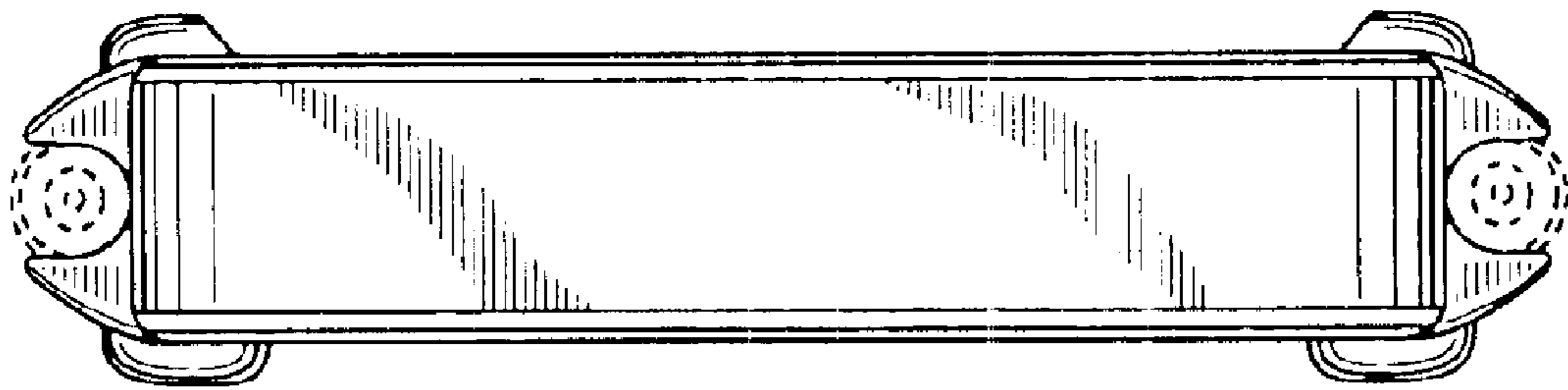


FIG. 7

