

US00D501139S

(12) **United States Design Patent**  
**Conway et al.**

(10) **Patent No.: US D501,139 S**  
(45) **Date of Patent: \*\* Jan. 25, 2005**

(54) **BOTTLE DISPENSER**

3,822,811 A 7/1974 Landen

(75) Inventors: **Simon M. Conway**, Burlington, WI (US); **Richard P. Harbutt**, Rowly (GB); **Kevin J. Greene**, Redhill (GB); **David C. Snow**, Stonehouse (GB)

(List continued on next page.)

(73) Assignee: **S. C. Johnson & Son, Inc.**, Racine, WI (US)

**FOREIGN PATENT DOCUMENTS**

(\*\*) Term: **14 Years**

(21) Appl. No.: **29/188,651**

(22) Filed: **Aug. 21, 2003**

DE	1968065	9/1967	
DE	9302239 M	8/1993	
EP	873945 A1	10/1998	
FR	859730	12/1940	
FR	2791041 B1	5/2001	
GB	2071118	* 6/1998	
WO	WO 00/03923 A1	1/2000	
WO	WO 00/06456 A2	2/2000	
WO	WO 01/26821 A1	4/2001	
WO	WO 02/22467 A1	3/2002	
WO	DM/062377	* 7/2002	..... 9/1

**Related U.S. Application Data**

(63) Continuation-in-part of application No. 29/165,405, filed on Aug. 9, 2002, now abandoned.

(51) **LOC (7) Cl.** ..... **09-01**

(52) **U.S. Cl.** ..... **D9/444; D9/445; D9/526**

(58) **Field of Search** ..... D9/337, 338, 341, D9/347, 516, 522, 524, 526, 529, 530, 539, 541, 542, 550, 552, 555-558, 563, 565, 568, 569-571, 575, 444-447; 215/206, 210, 212-213, 215, 382-384; 222/94, 144.5, 145.1

**OTHER PUBLICATIONS**

Photographs of W.C. Reiniger Null—Null Toilet Cleaner Dispensing Bottle.

\* cited by examiner

*Primary Examiner*—Carol Rademaker

(57) **CLAIM**

The ornamental design for a bottle dispenser, as shown and described.

(56) **References Cited**

**U.S. PATENT DOCUMENTS**

1,363,064 A	12/1920	Stegath	
D63,610 S	12/1923	Breeden	
1,555,676 A	9/1925	Leland	
D91,169 S	* 12/1933	Gibson	..... D9/568 X
D110,790 S	8/1938	Ansell	
D135,569 S	4/1943	Buckingham	
D152,962 S	3/1949	Guerin	
D153,194 S	3/1949	Wiedhoff	
D177,796 S	* 5/1956	Collins	..... D9/448
3,032,240 A	5/1962	Dunklee	
3,105,615 A	10/1963	Koga	
3,182,728 A	5/1965	Zabriskie	
3,335,912 A	8/1967	Reeves, Jr.	
3,729,553 A	4/1973	Gold et al.	

**DESCRIPTION**

In a preferred embodiment, the nature of this product is as a bottle dispenser in the form of a cap structure.

FIG. 1 is a left, front, upper perspective view of a bottle dispenser embodying our new design;

FIG. 2 is a right, rear, upper perspective view thereof;

FIG. 3 is a top plan view thereof;

FIG. 4 is a bottom plan view thereof;

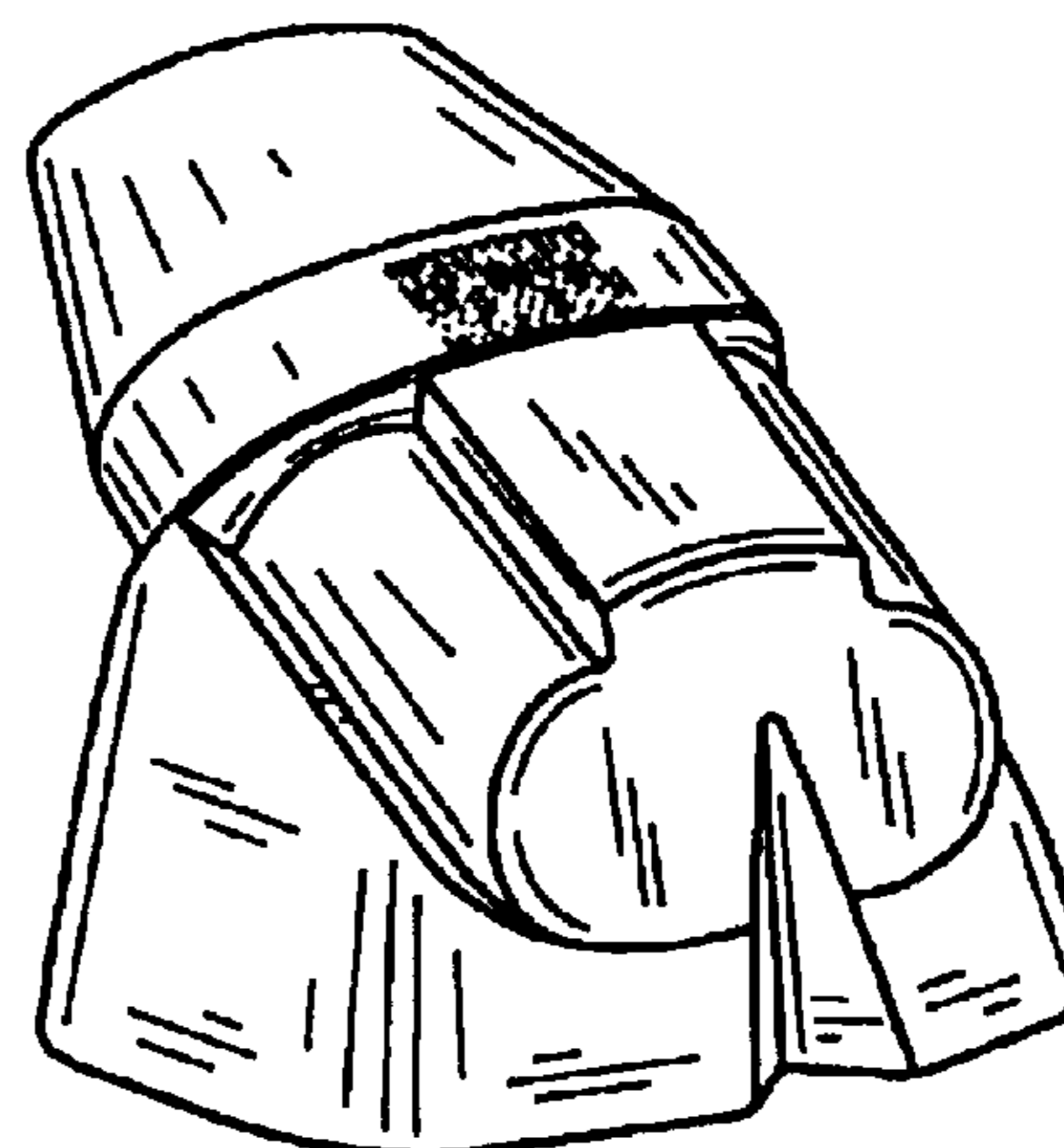
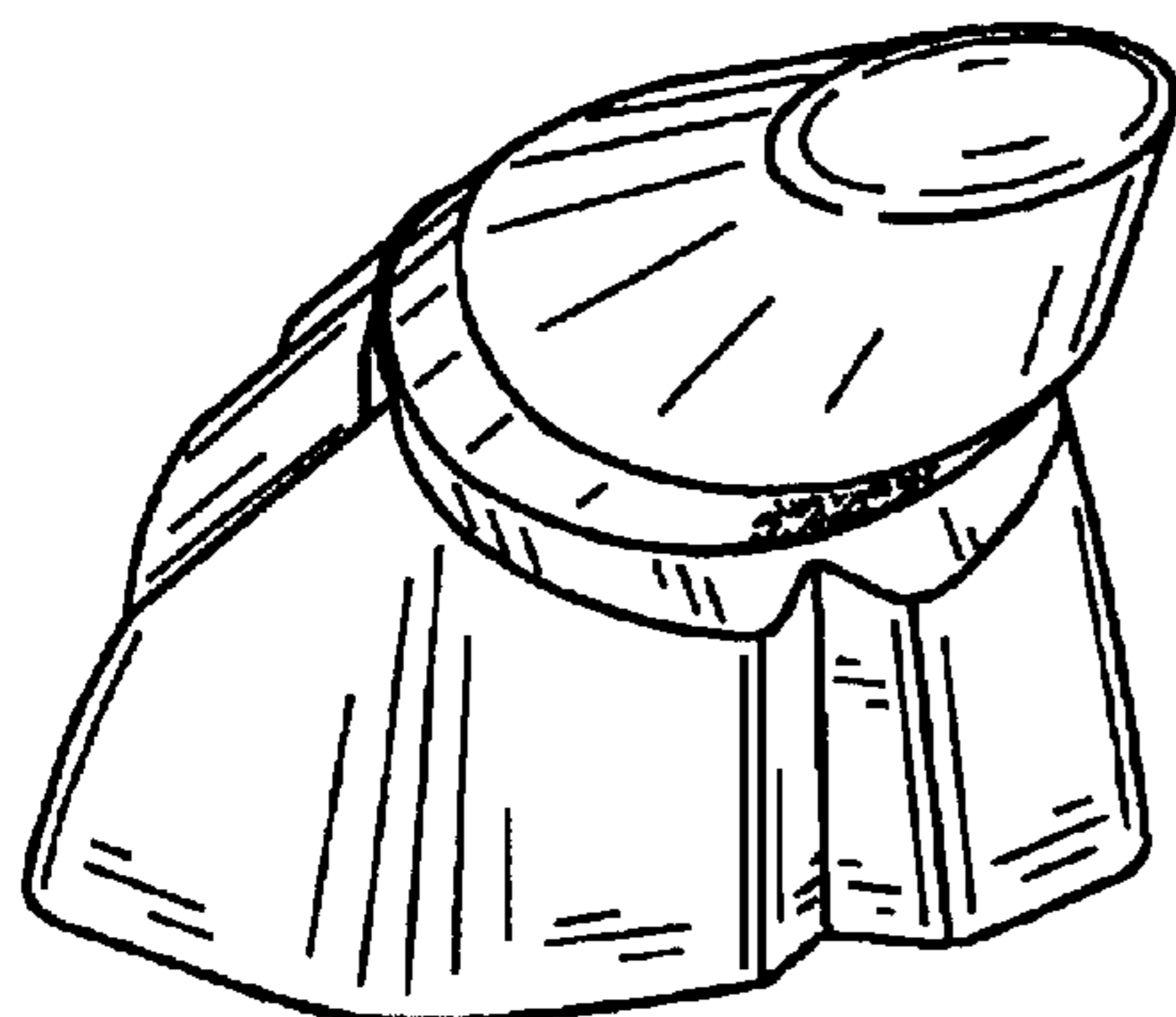
FIG. 5 is a left side elevational view thereof, the right side elevational view being a mirror image thereof;

FIG. 6 is a rear elevational view thereof; and,

FIG. 7 is a front elevational view thereof.

The broken line showing of ridges in FIGS. 1-7 and of mounting structure in FIG. 4 are for illustrative purposes only and form no part of the claimed design.

**1 Claim, 3 Drawing Sheets**



# US D501,139 S

Page 2

---

## U.S. PATENT DOCUMENTS

D243,386 S	*	2/1977	Hoyt	.....	D9/526	5,392,947 A	2/1995	Gentile	
4,148,417 A		4/1979	Simmons			D372,870 S	8/1996	Westerhout	
4,640,855 A	*	2/1987	St. Clair	.....	222/572	5,579,957 A	12/1996	Gentile et al.	
D297,915 S	*	10/1988	Pataki	.....	D9/526 X	5,611,463 A	3/1997	Favre	
D307,714 S	*	5/1990	Rosenberg	.....	D9/526 X	5,613,623 A	3/1997	Hildebrandt	
4,940,167 A		7/1990	Fillmore et al.			5,653,361 A	8/1997	Favre	
4,974,756 A		12/1990	Pearson et al.			5,823,391 A	10/1998	Klauke et al.	
4,993,595 A		2/1991	Bertram et al.			5,862,949 A	1/1999	Markey et al.	
5,052,590 A		10/1991	Ratcliff			5,865,345 A	2/1999	Cistone et al.	
D326,217 S	*	5/1992	Petschek	.....	D9/526	D406,530 S	*	3/1999	Bodker et al. .... D9/526
D326,218 S	*	5/1992	Petschek	.....	D9/526	5,899,361 A	5/1999	Durliat et al.	
5,154,917 A		10/1992	Ibrahim et al.			5,954,213 A	9/1999	Gerhart et al.	
D332,914 S	*	2/1993	Stephens	.....	D9/338	5,954,230 A	9/1999	Blette et al.	
D333,789 S		3/1993	Reif			D414,702 S	10/1999	Bodker et al.	
D334,712 S	*	4/1993	Turner-Adams	.....	D9/526	6,065,643 A	5/2000	Harvey et al.	
5,236,108 A		8/1993	House			6,082,588 A	7/2000	Markey et al.	
D342,022 S	*	12/1993	Pritchard	.....	D9/524 X	D438,786 S	*	3/2001	Ghali ..... D9/300
5,289,950 A		3/1994	Gentile			6,223,942 B1	5/2001	Markey et al.	
5,386,928 A		2/1995	Blette			D448,301 S	9/2001	Togasawa	
						D481,632 S	*	11/2003	Masotta et al. .... D9/447

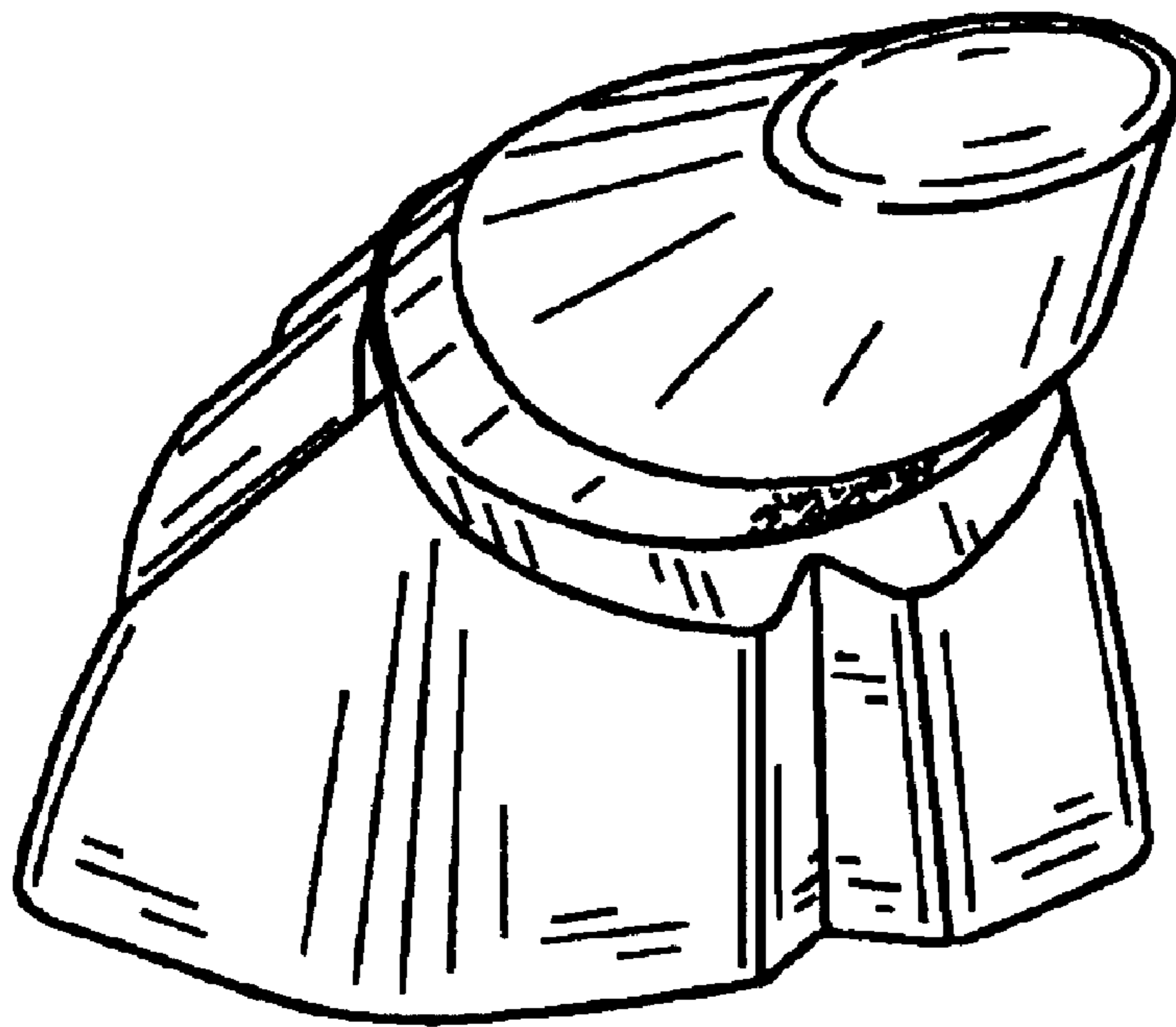


FIG. 1

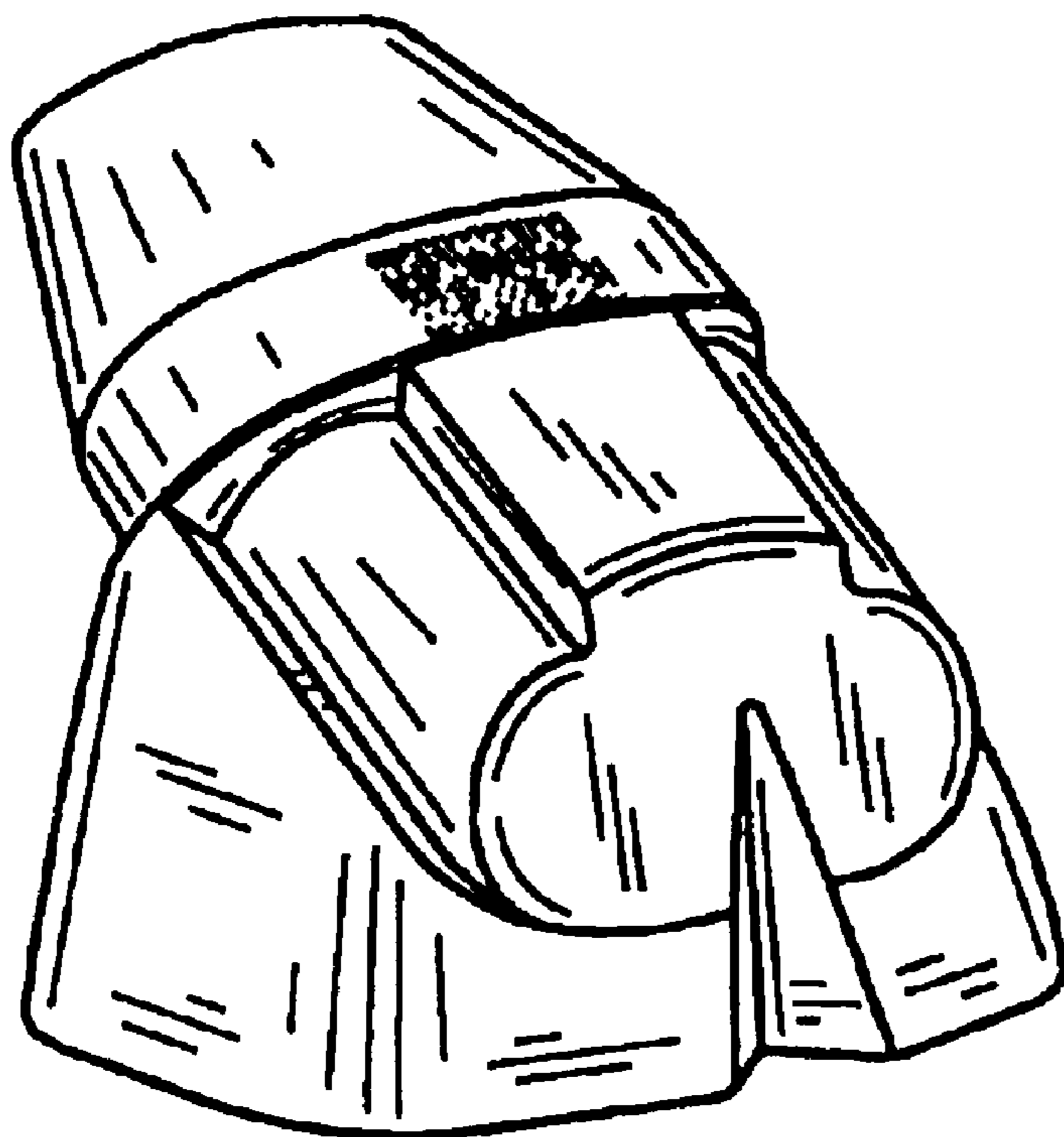


FIG. 2

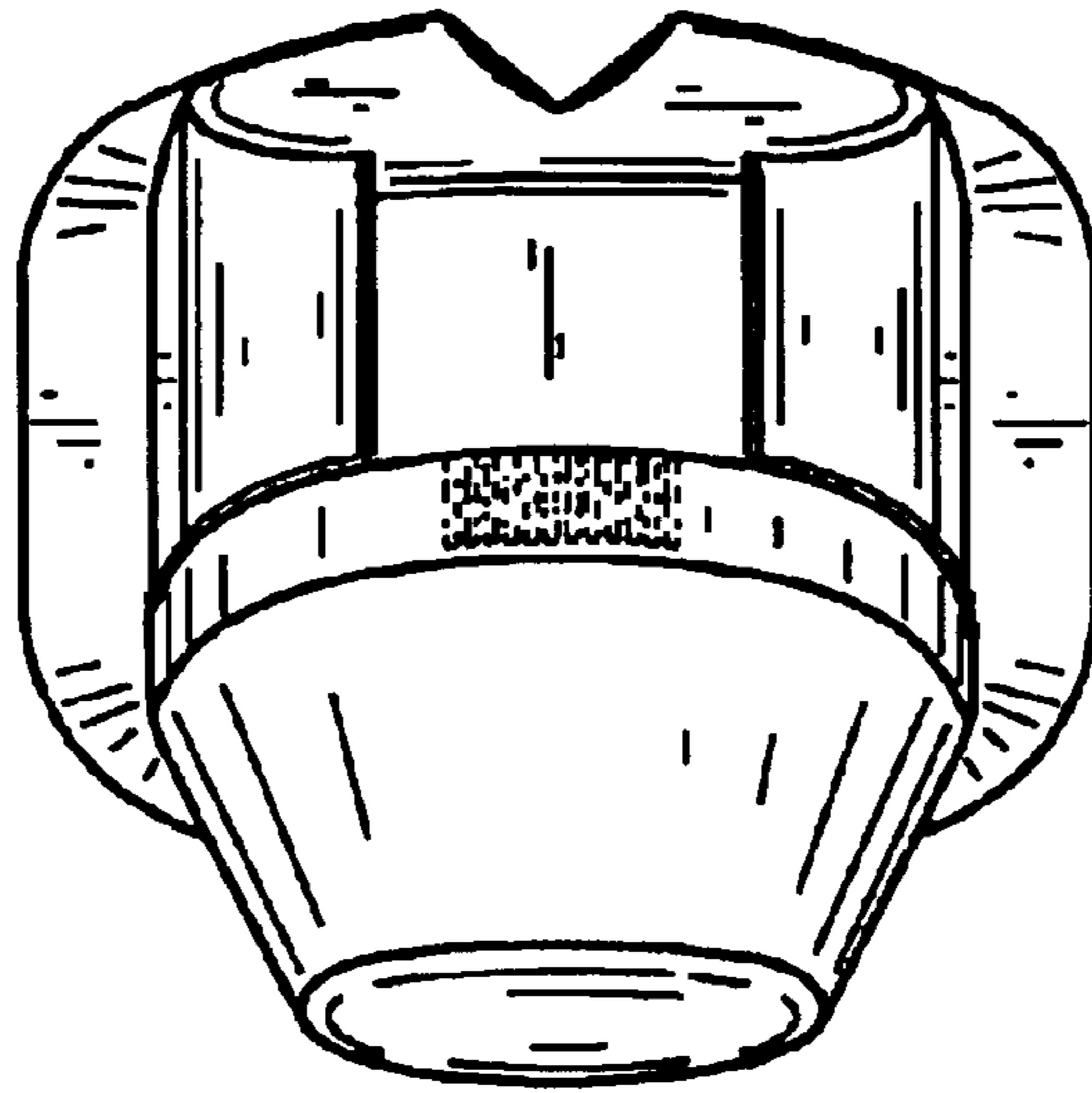
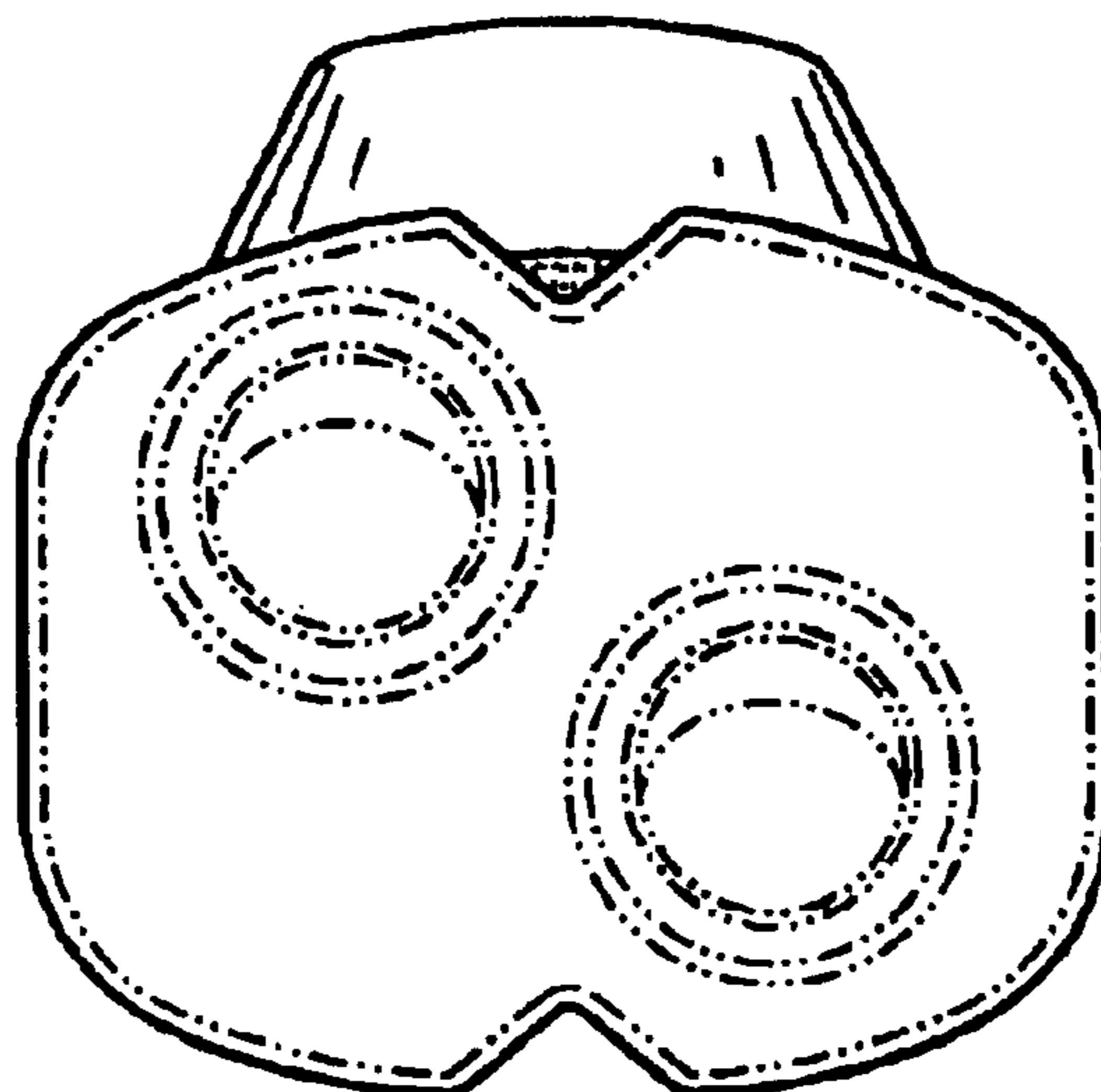


FIG. 3

FIG. 4



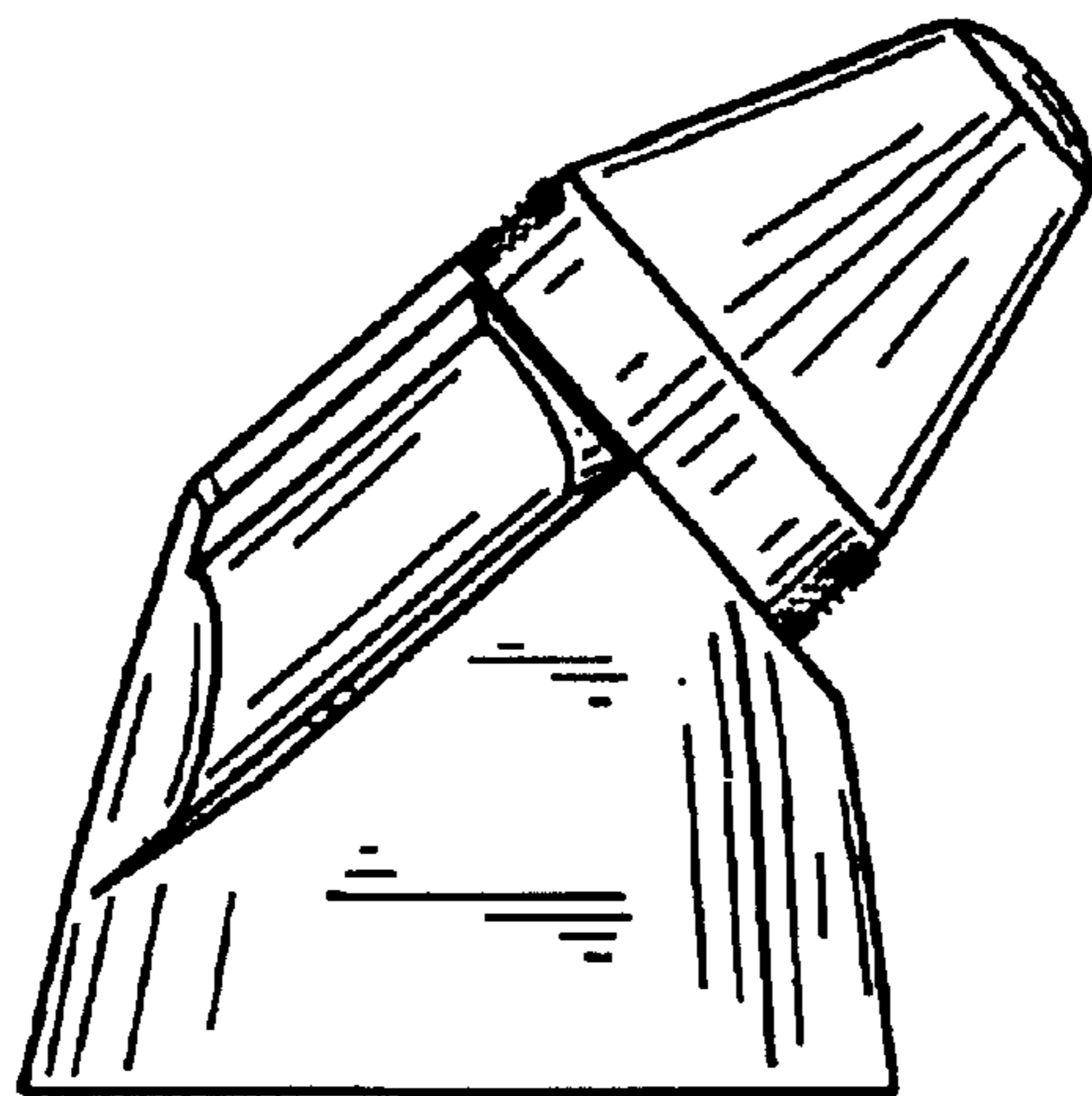


FIG. 5

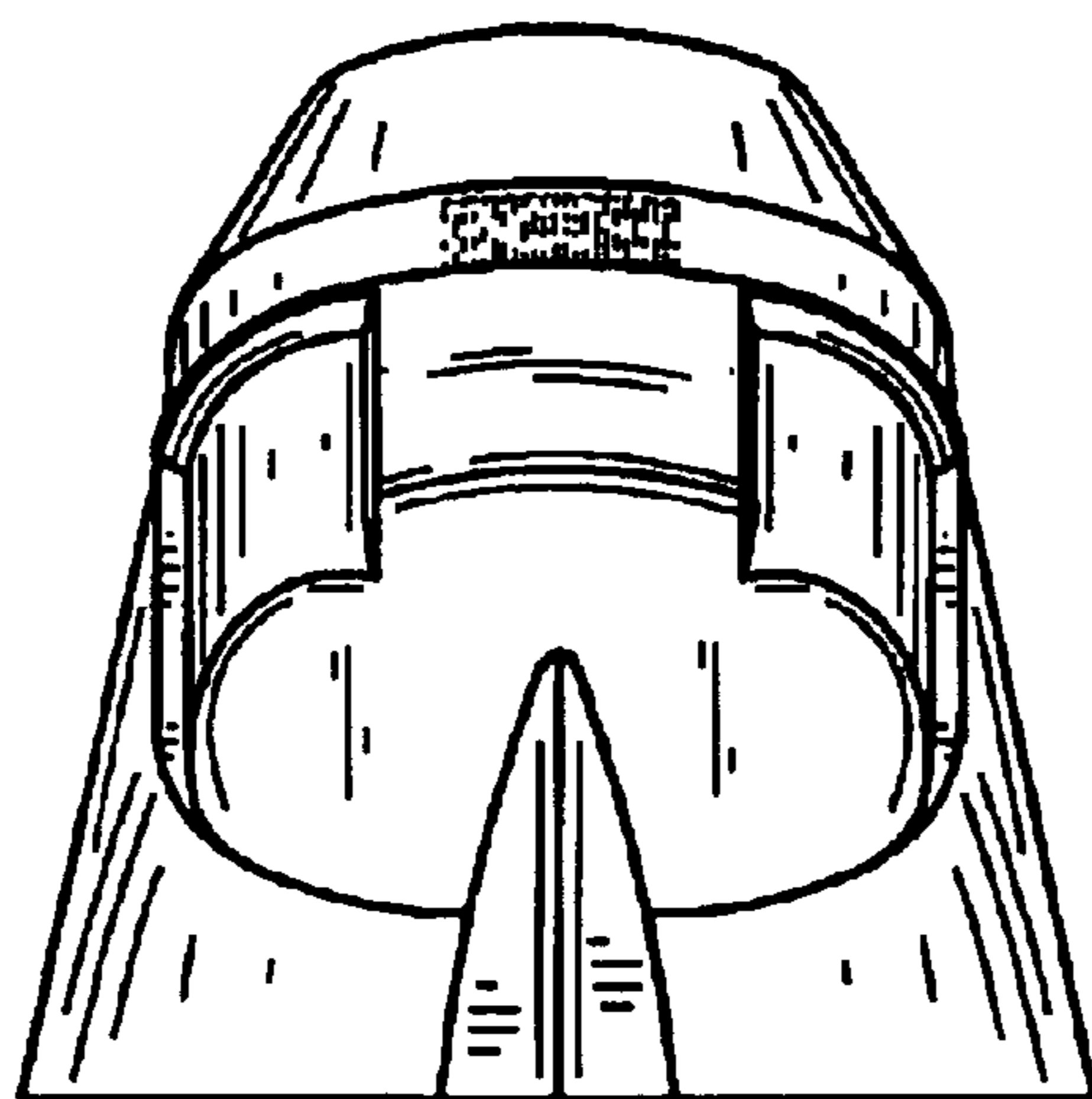


FIG. 6

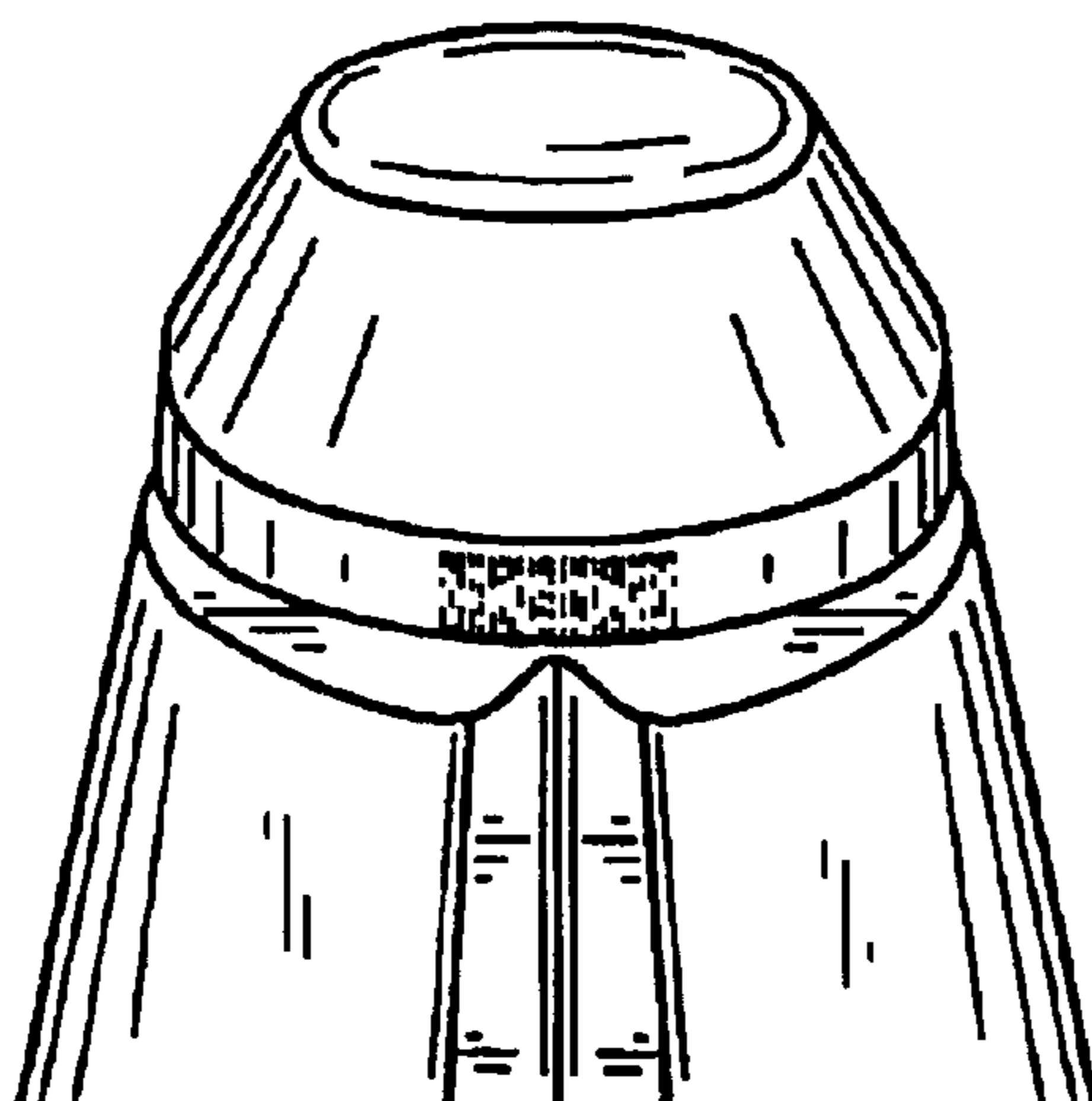


FIG. 7