

US00D501138S

(12) **United States Design Patent**
Uchiyama

(10) **Patent No.:** **US D501,138 S**
(45) **Date of Patent:** **** Jan. 25, 2005**

- (54) **PORTION OF A PLUG AND CONTAINER CAP**
- (75) Inventor: **Kimiyoshi Uchiyama, Kanagawa (JP)**
- (73) Assignee: **Fuji Photo Film Co., Ltd., Minami-Ashigara (JP)**
- (**) Term: **14 Years**

4,416,388 A	11/1983	Mulawski	
4,463,865 A	8/1984	Mundt et al.	
4,603,714 A	* 8/1986	Marotta	141/383
4,655,070 A	4/1987	Clift	
4,874,102 A	10/1989	Jessop et al.	
4,884,717 A	12/1989	Bussard et al.	
4,898,291 A	* 2/1990	Sailors	215/11.4

(List continued on next page.)

- (21) Appl. No.: **29/171,539**
- (22) Filed: **Nov. 25, 2002**

Related U.S. Application Data

- (62) Division of application No. 09/274,319, filed on Mar. 23, 1999, now abandoned.

(30) **Foreign Application Priority Data**

Mar. 31, 1998	(JP)	10-105787
Mar. 31, 1998	(JP)	10-105788

- (51) **LOC (7) Cl.** **09-07**
- (52) **U.S. Cl.** **D9/439; D9/516**
- (58) **Field of Search** 220/669, 675; 215/381-384, 396, 398, 400, 379, 40; D16/246-250; D18/40, 43; 206/446, 474, 366.1; 354/315, 331; 355/200, 245, 260; D9/503, 509, 516, 544, 560, 574, 572, 573, 571, 435, 436, 437, 438, 439, 447, 452, 454

(56) **References Cited**

U.S. PATENT DOCUMENTS

571,708 A	* 11/1896	Thompson	137/845
1,989,145 A	1/1935	Newby	
2,436,291 A	* 2/1948	Daniel	15/257.05
3,257,026 A	6/1966	Taylor	
3,380,610 A	4/1968	Krieps	
3,739,936 A	6/1973	Jones, Jr.	
3,845,879 A	11/1974	Dernbach et al.	
3,921,556 A	11/1975	Wood et al.	
4,053,084 A	10/1977	Anderson	
4,091,842 A	* 5/1978	Greenawalt et al.	138/90
4,105,133 A	8/1978	La Barge et al.	
4,308,885 A	1/1982	Geisseler	

FOREIGN PATENT DOCUMENTS

DE	28 20 566	11/1979
EP	0 339 729	11/1989
FR	1049694	12/1953
FR	2716669	9/1995
GB	1441819	7/1976
GB	2254836	10/1992
JP	8-53147	2/1996

Primary Examiner—Carol Rademaker

(74) *Attorney, Agent, or Firm*—Burns, Doane, Swecker & Mathis, L.L.P.

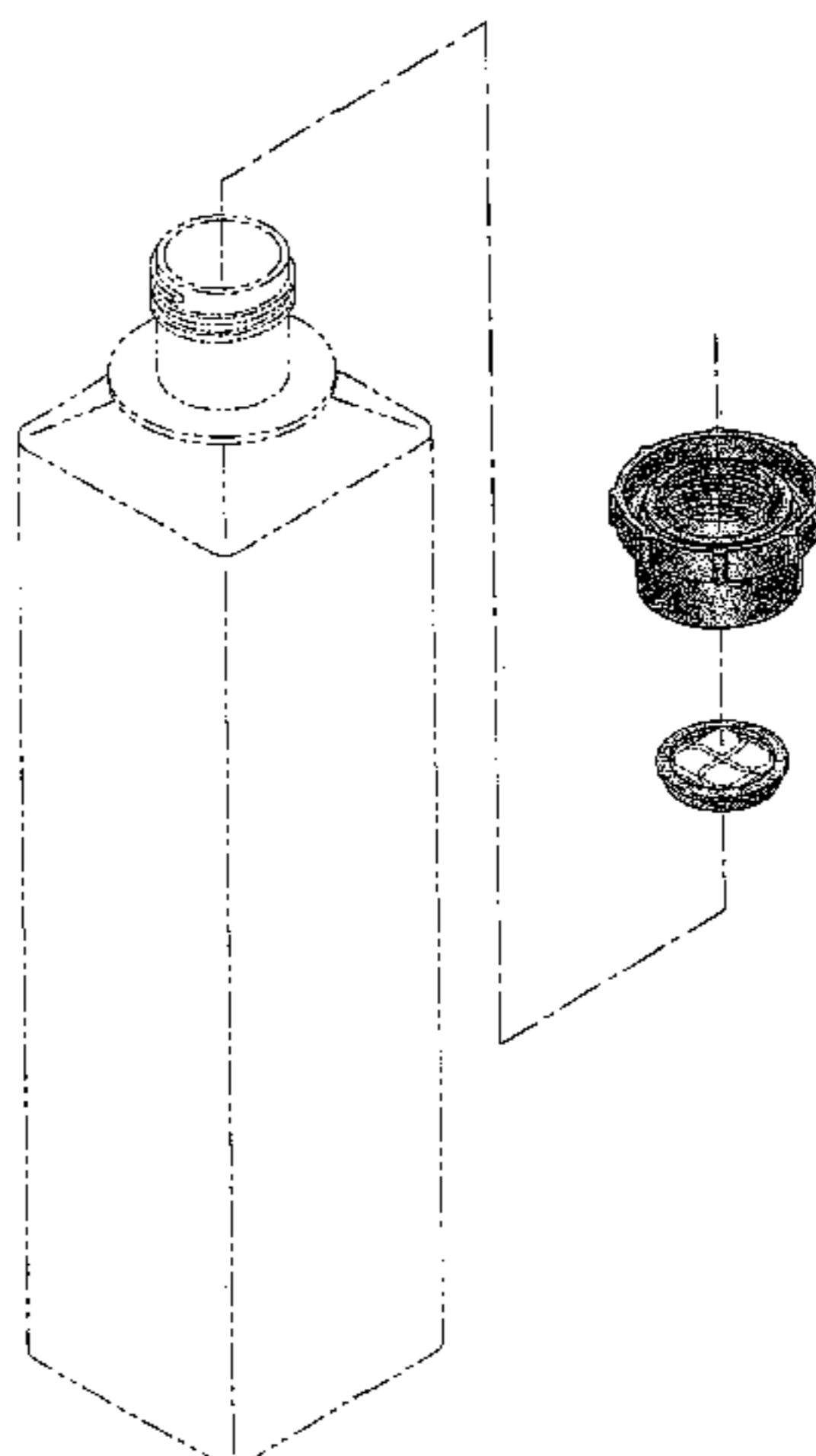
(57) **CLAIM**

The ornamental design for a portion of a plug and container cap, as shown and described.

DESCRIPTION

FIG. 1 is an exploded view of a portion of a plug and container cap showing my new design;
 FIG. 2 is a top, side perspective view of the plug portion of the claimed design shown in FIG. 1 shown separately for clarity of illustration, the opposite side being a mirror image;
 FIG. 3 is a top plan view thereof;
 FIG. 4 is a top, side perspective view of the container cap portion of the claimed design shown in FIG. 1 shown separately for clarity of illustration, the opposite side being a mirror image; and,
 FIG. 5 is a top, side perspective view of the portion of a plug and container cap shown in assembled condition, the opposite side being a mirror image.
 The broken lines shown in the drawings are for illustrative purposes only and form no part of the claimed design.

1 Claim, 4 Drawing Sheets



US D501,138 S

Page 2

U.S. PATENT DOCUMENTS

4,902,043 A	2/1990	Zillig et al.		
5,060,971 A	10/1991	Nanbu et al.		
5,080,124 A	1/1992	McGregor et al.		
5,111,946 A	5/1992	Glanz		
D349,648 S	* 8/1994	Tirrell et al.	D9/439	
D351,337 S	* 10/1994	Bonnema et al.	D9/300	
5,397,023 A	3/1995	Toczek et al.		
D359,970 S	* 7/1995	Szabo	D15/199	
D372,672 S	* 8/1996	Ishimoto	D9/431	
5,544,779 A	8/1996	Yamamoto et al.		
5,675,792 A	10/1997	Earle et al.		
5,902,298 A	* 5/1999	Niedospil, Jr. et al.	604/414	
				* cited by examiner
5,956,539 A	9/1999	Fitterman et al.		
5,961,011 A	10/1999	Thomas et al.		
5,984,528 A	11/1999	Ohtsu		
6,000,578 A	12/1999	Boissay		
6,035,896 A	3/2000	Liardet		
D422,357 S	* 4/2000	Niedospial et al.	D24/129	
6,075,963 A	6/2000	Ichikawa et al.		
D433,332 S	* 11/2000	Weber	D9/434	
D435,061 S	* 12/2000	Ohtsuka et al.	D18/40	
6,216,942 B1	* 4/2001	Kittscher	215/383 X	
6,457,602 B2	* 10/2002	Uchiyama	220/669	
D482,059 S	* 11/2003	Harris et al.	D18/43	

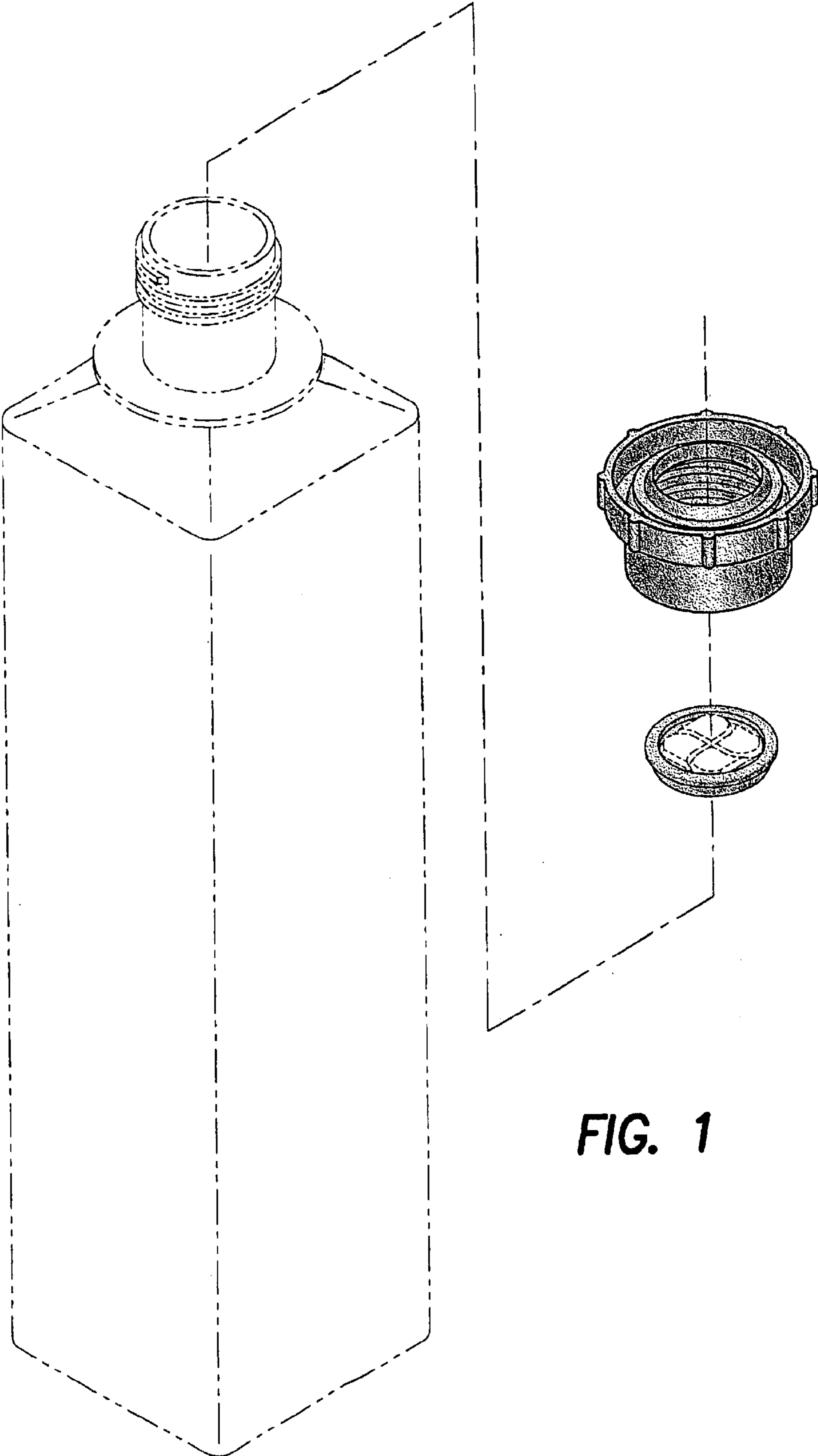


FIG. 1

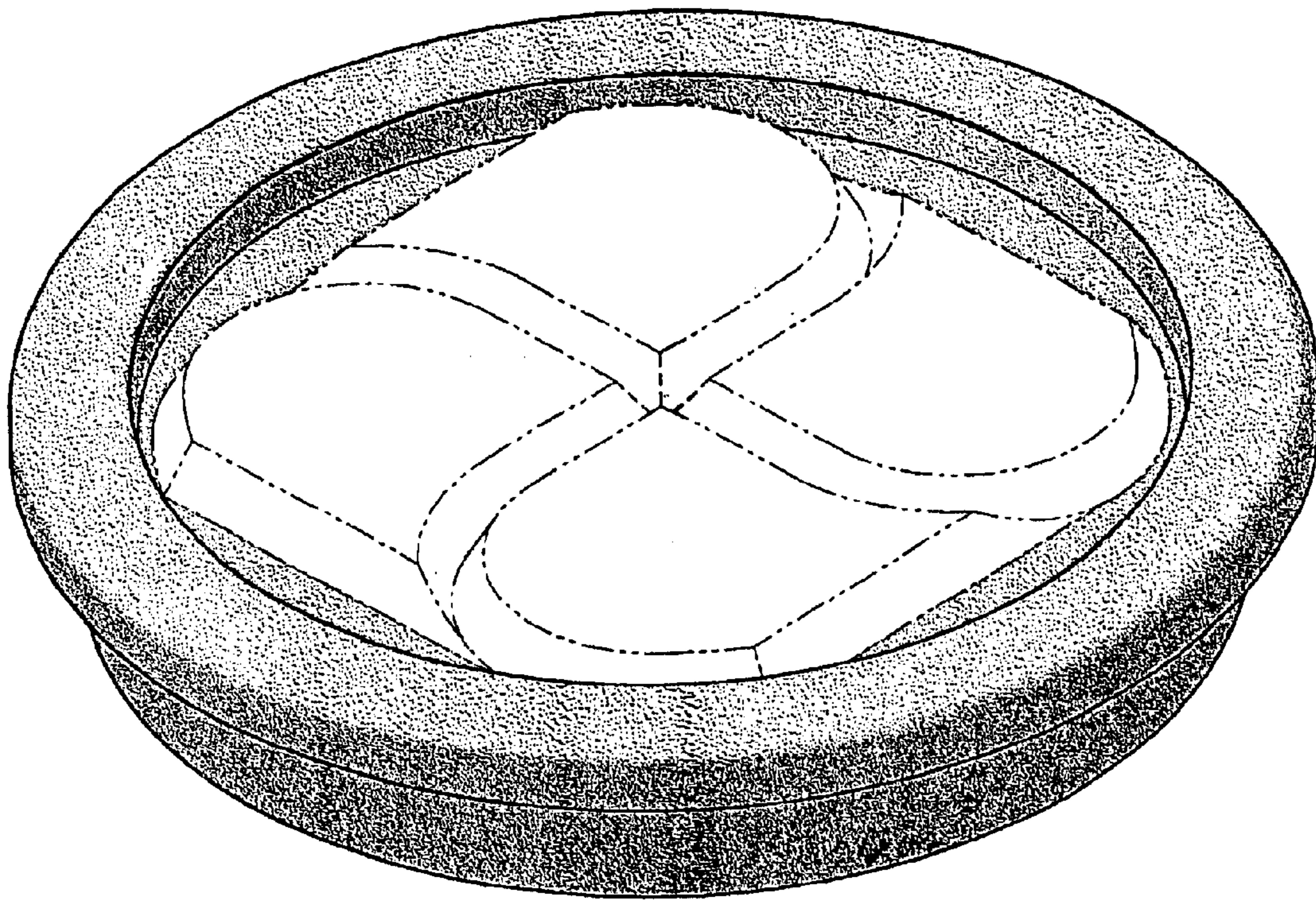


FIG. 2

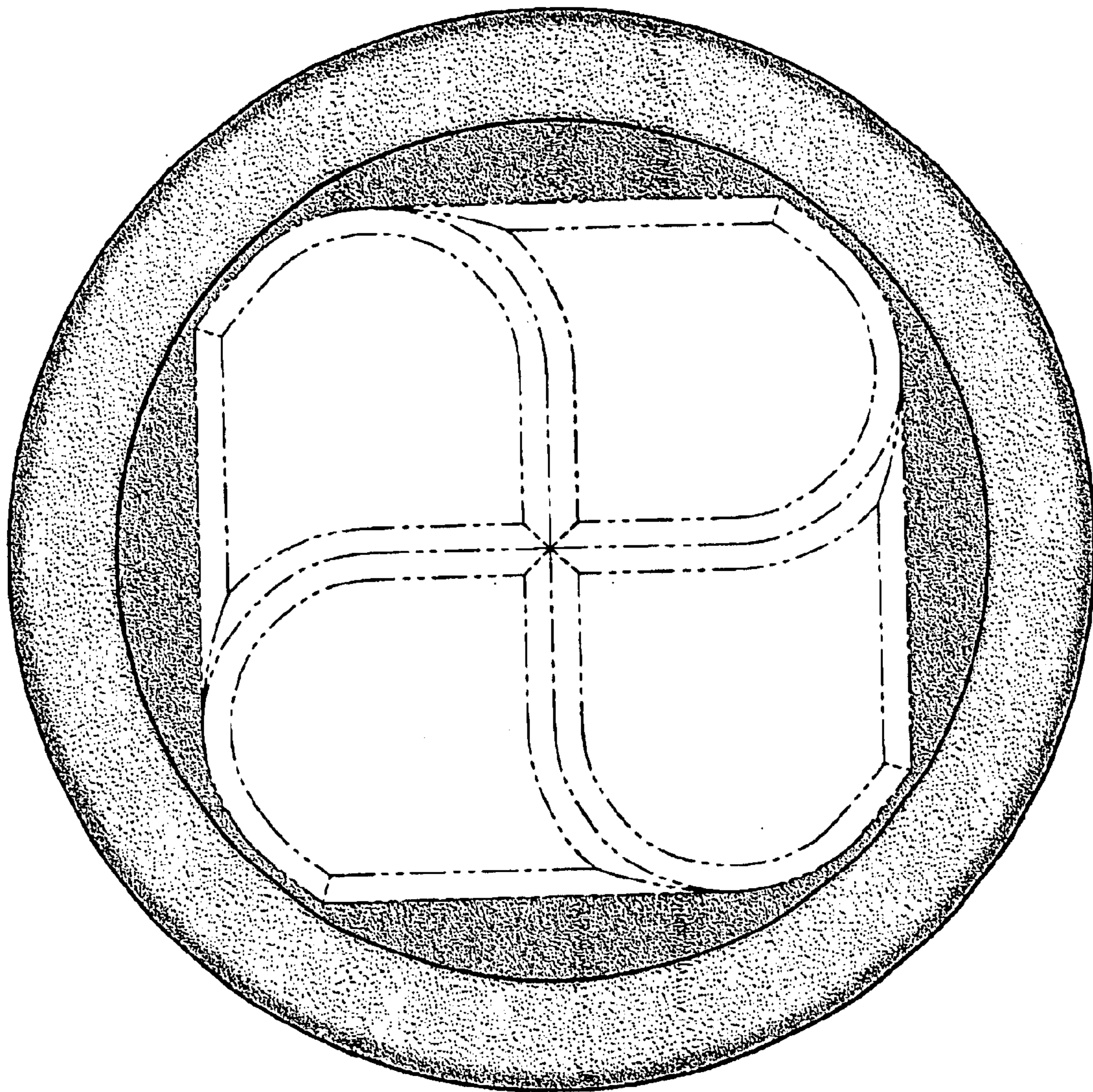


FIG. 3

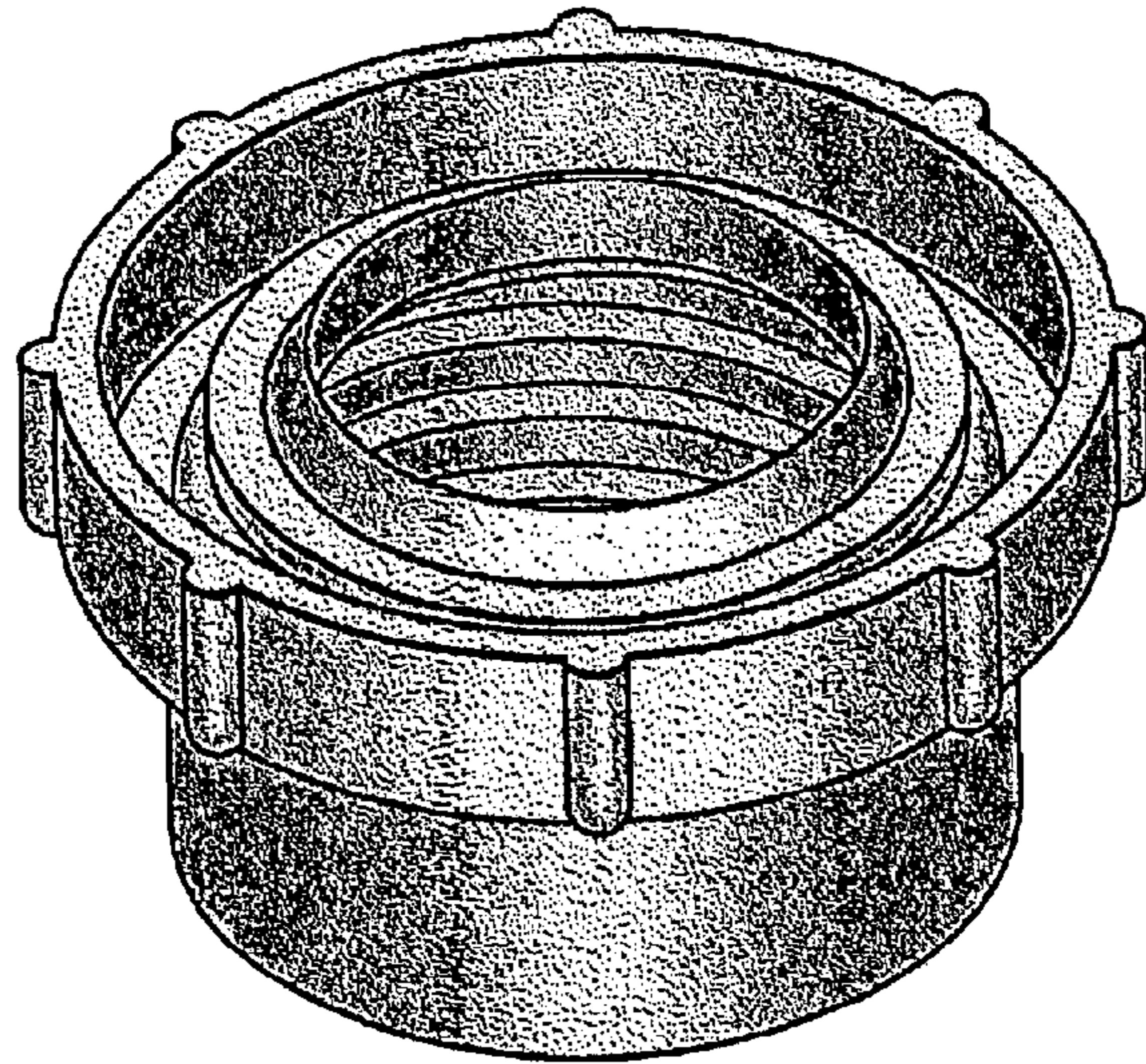


FIG. 4

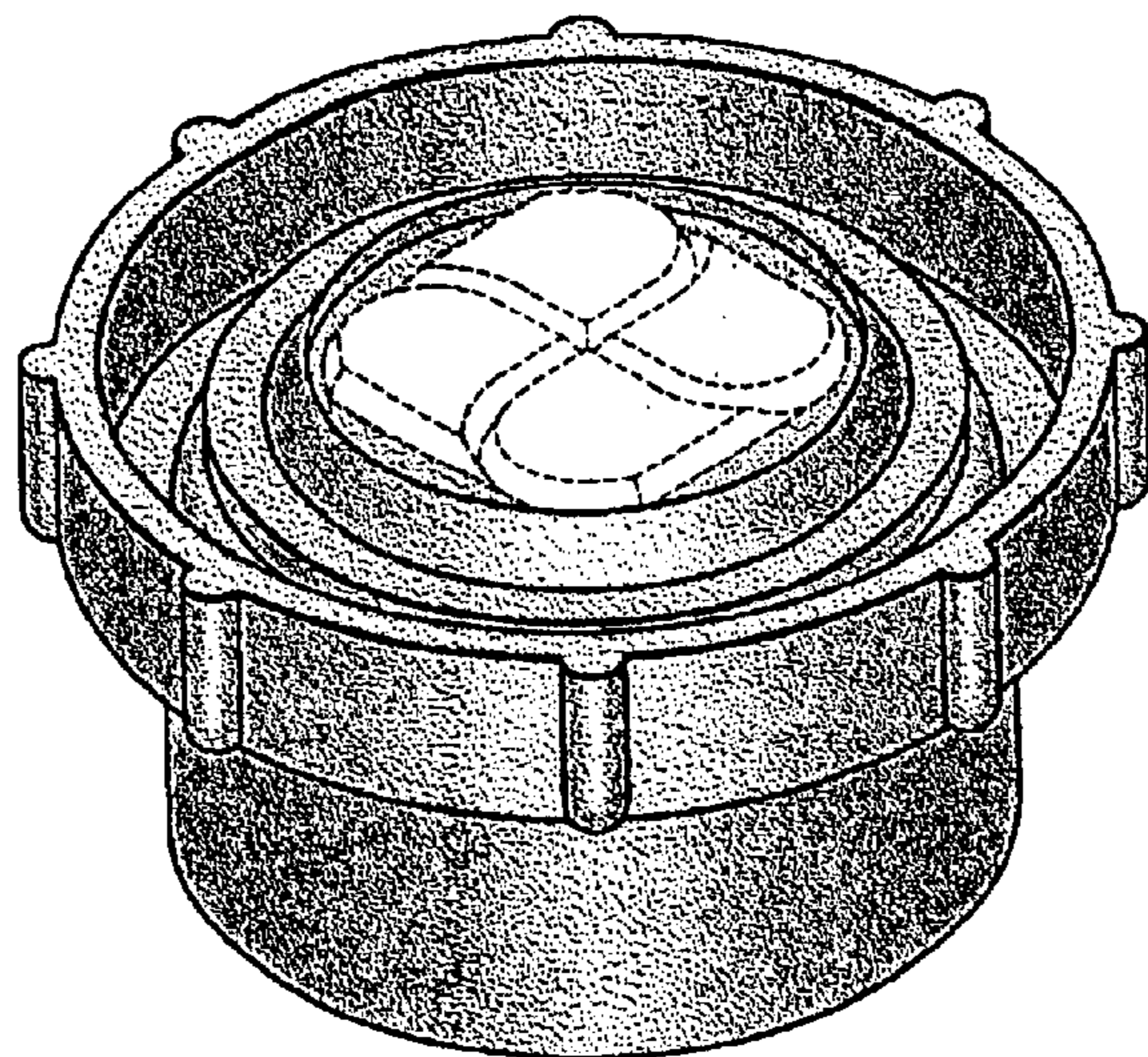


FIG. 5