



US00D501131S

(12) **United States Design Patent**
Oskamp et al.

(10) **Patent No.:** **US D501,131 S**
(45) **Date of Patent:** **** Jan. 25, 2005**

(54) **LOCK**

(75) Inventors: **Jurgen Oskamp**, Schiplaken (BE);
Yves Peeters, Langdorp (BE); **Willy Ruythooren**, Sint-Niklaas (BE);
Charles W. Moon, Colorado Springs,
CO (US); **Michael J. Wright**, Santa
Ana, CA (US)

(73) Assignee: **Computerized Security Systems, Inc.**,
Troy, MI (US)

(**) Term: **14 Years**

(21) Appl. No.: **29/200,082**

(22) Filed: **Feb. 23, 2004**

(51) **LOC (7) Cl.** **08-07**

(52) **U.S. Cl.** **D8/331; D8/343**

(58) **Field of Search** D8/330-302, 331,
D8/339-345; 70/91, 107, 102, 106, 218,
219, 220, 370, 278.6, 278.7, 279.1, DIG. 67,
451; 292/169, 332, 333, 32, 14, 37

(56) **References Cited**

U.S. PATENT DOCUMENTS

2,656,704 A * 10/1953 Mancuso 70/128

D365,744 S * 1/1996 Leung D8/331
5,987,945 A * 11/1999 Ruano Aramburu 70/277
D436,333 S * 1/2001 Awastu D12/179
D454,050 S * 3/2002 Kelly et al. D8/331
D484,389 S * 12/2003 Evans D8/331
6,725,693 B2 * 4/2004 Yu et al. 70/107
6,733,050 B1 * 5/2004 Yao 292/169
6,758,070 B2 * 7/2004 Yu et al. 70/107

* cited by examiner

Primary Examiner—Prabhakar Deshmukh

(74) *Attorney, Agent, or Firm*—Carlson, Gaskey & Olds

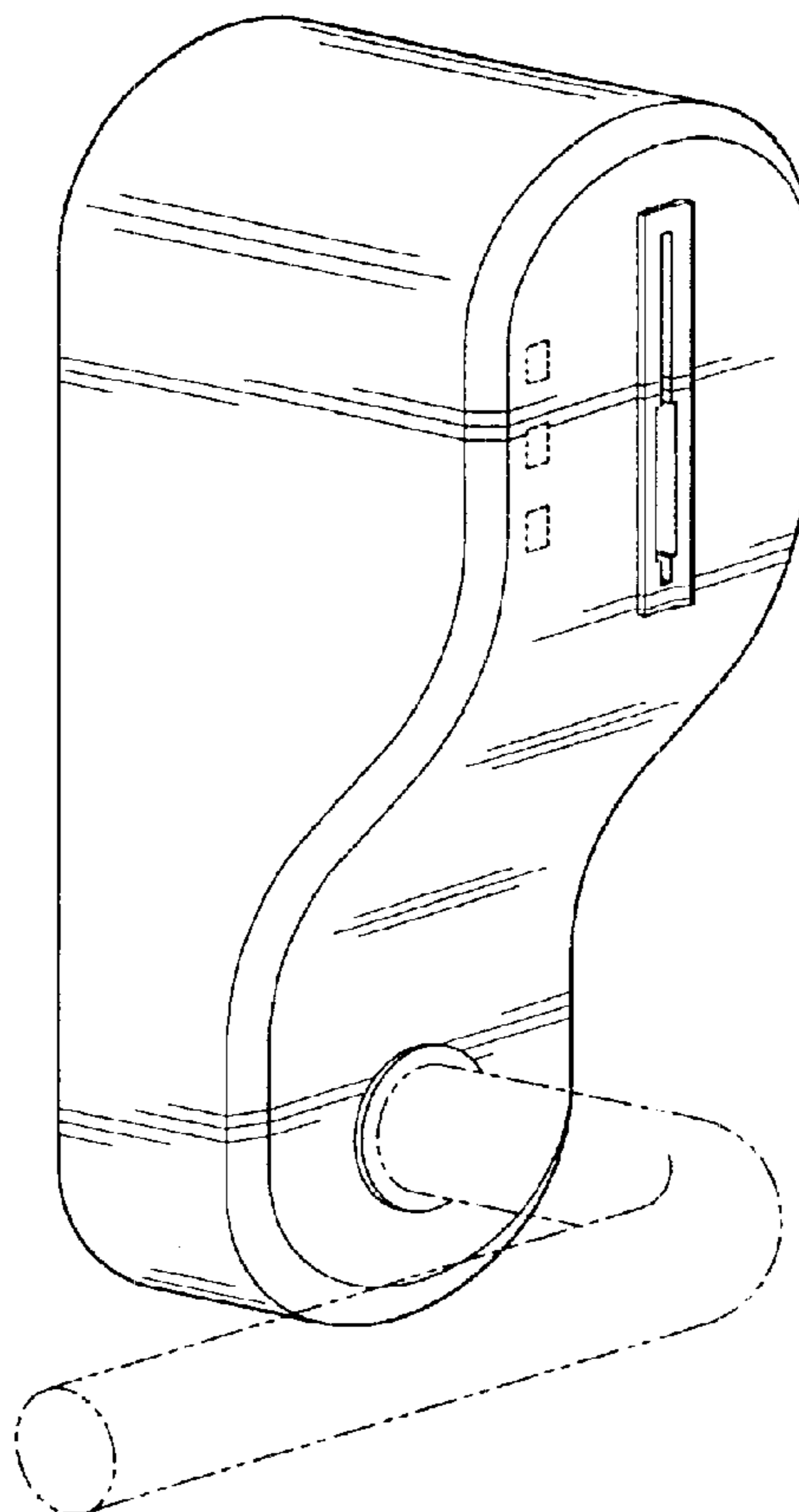
(57) **CLAIM**

We claim the ornamental design for the lock, as shown and described.

DESCRIPTION

FIG. 1 is a perspective view of the invention.
FIG. 2 is a front view of the invention.
FIG. 3 is a left view of the invention.
FIG. 4 is a right view of the invention.
FIG. 5 is a top view of the invention; and,
FIG. 6 is a bottom view of the invention.
The broken lines are for illustrative purpose only and form no part of the claimed design.

1 Claim, 3 Drawing Sheets



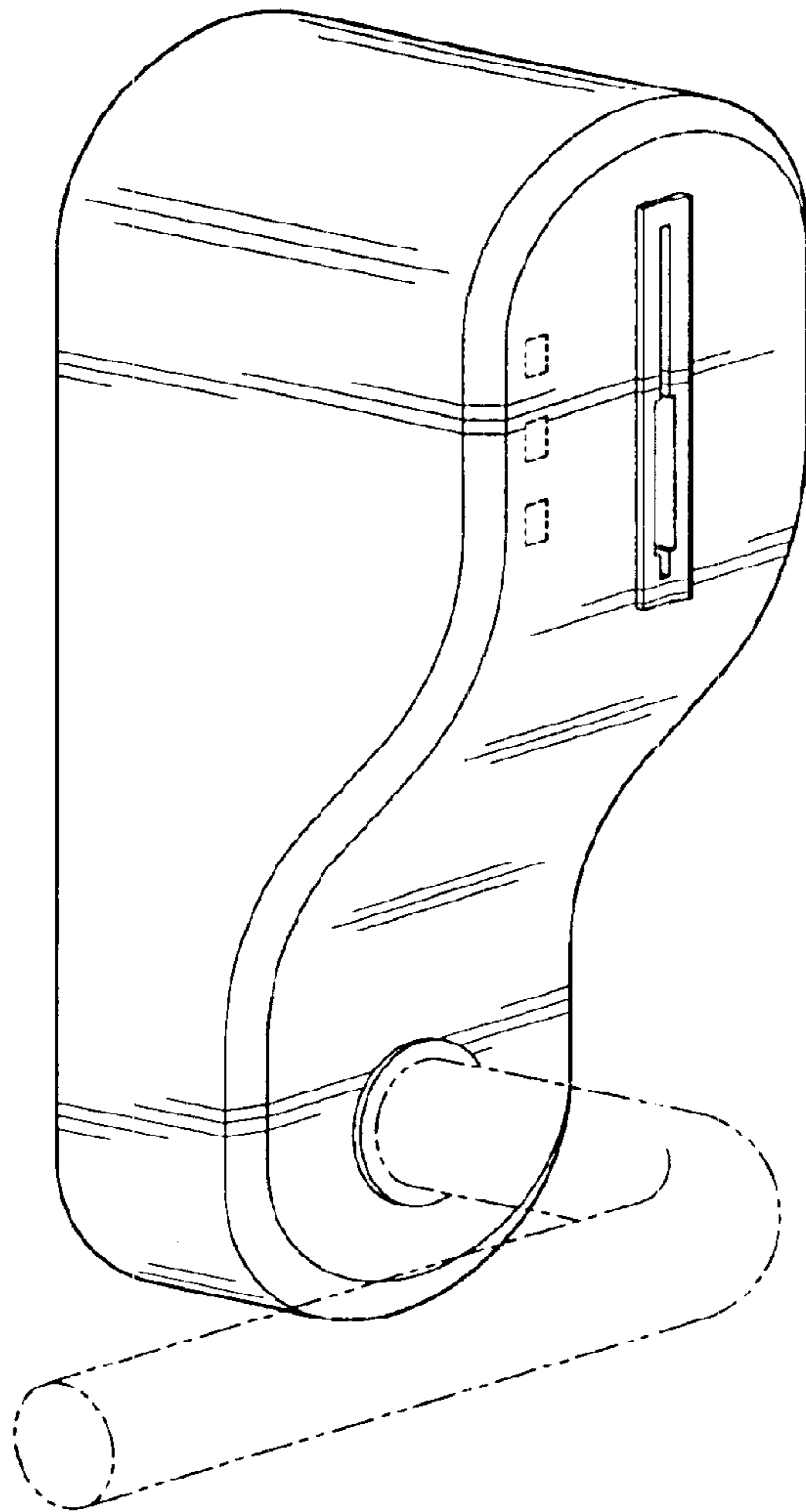


Fig-1

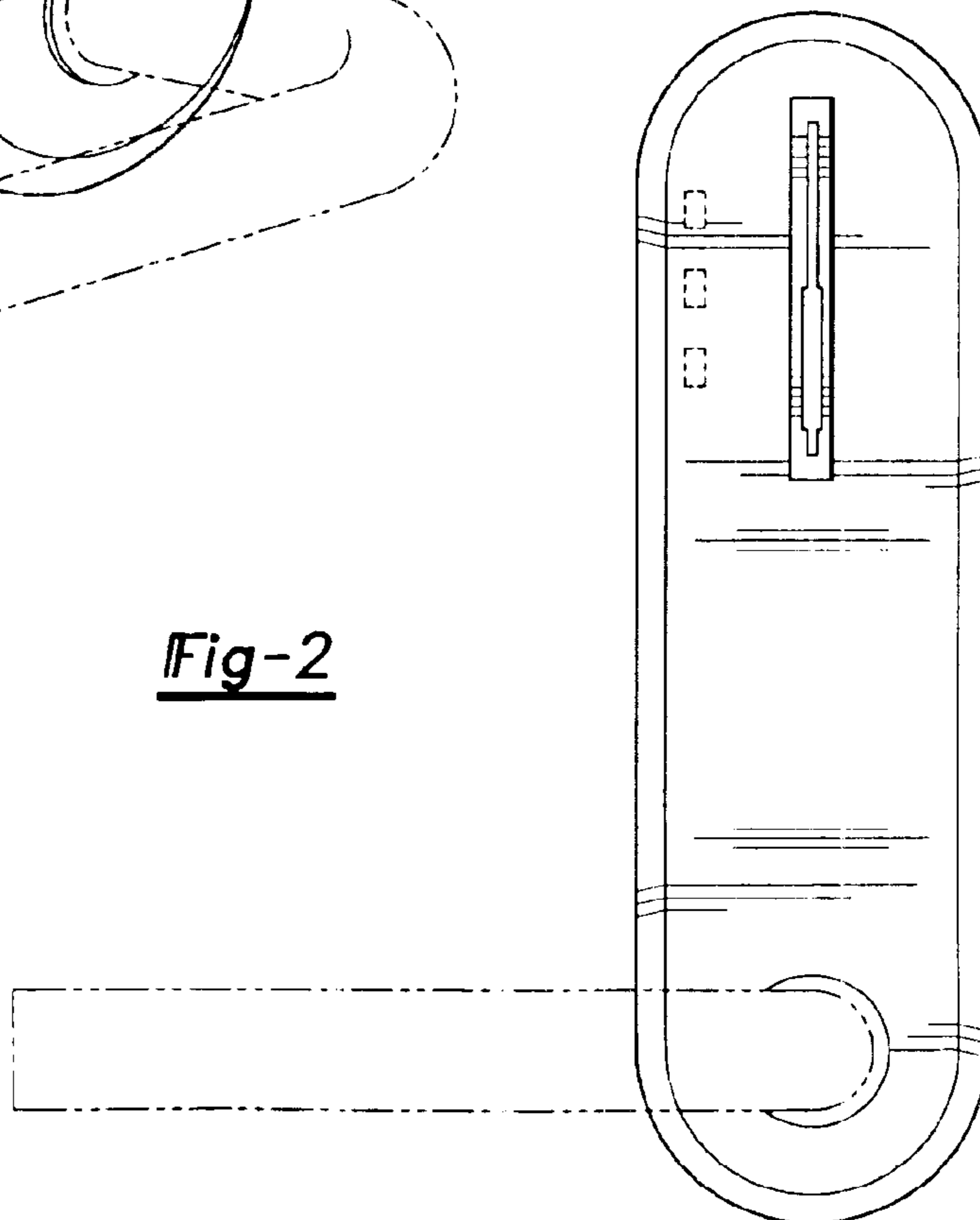


Fig-2

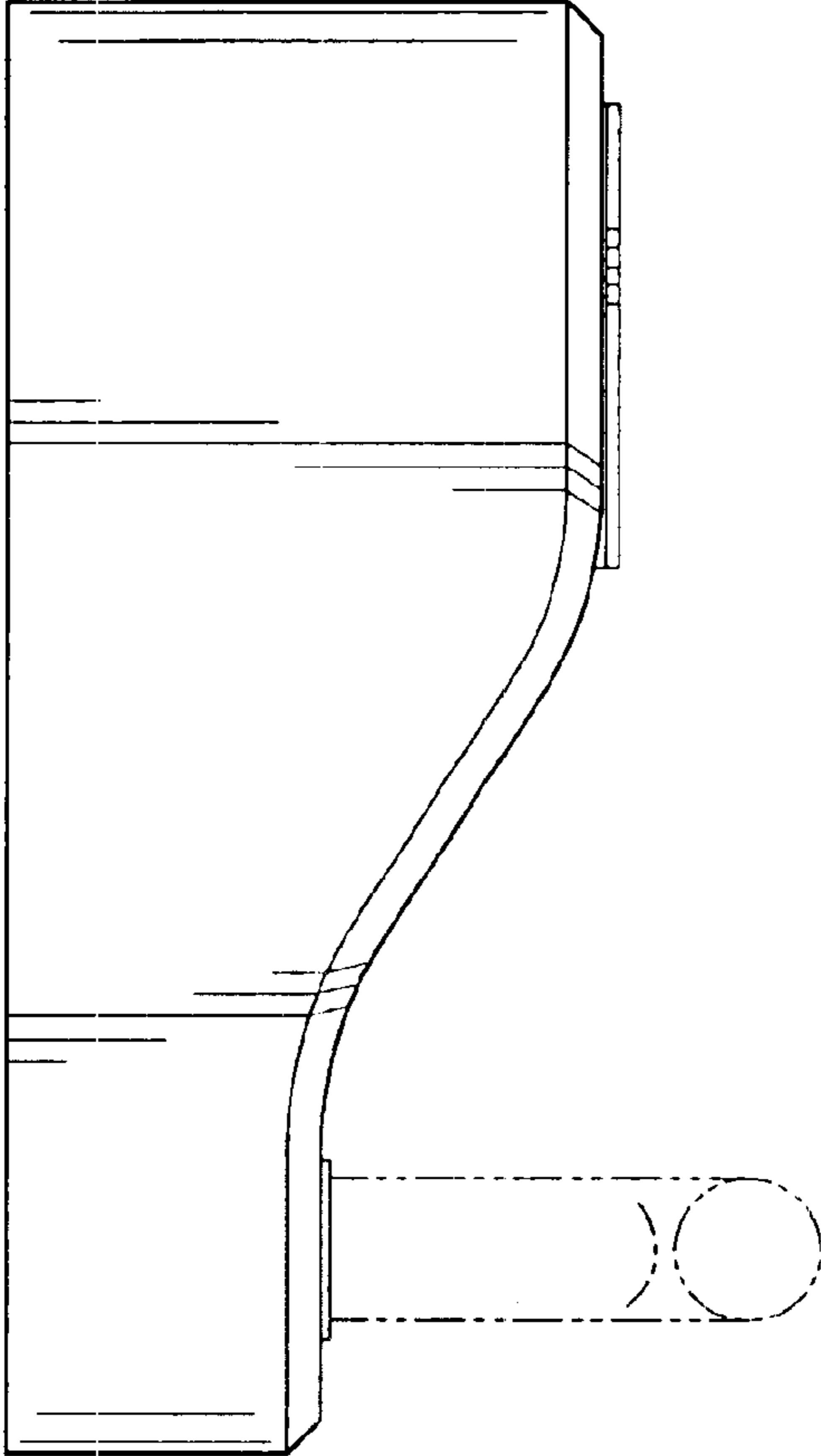


Fig-3

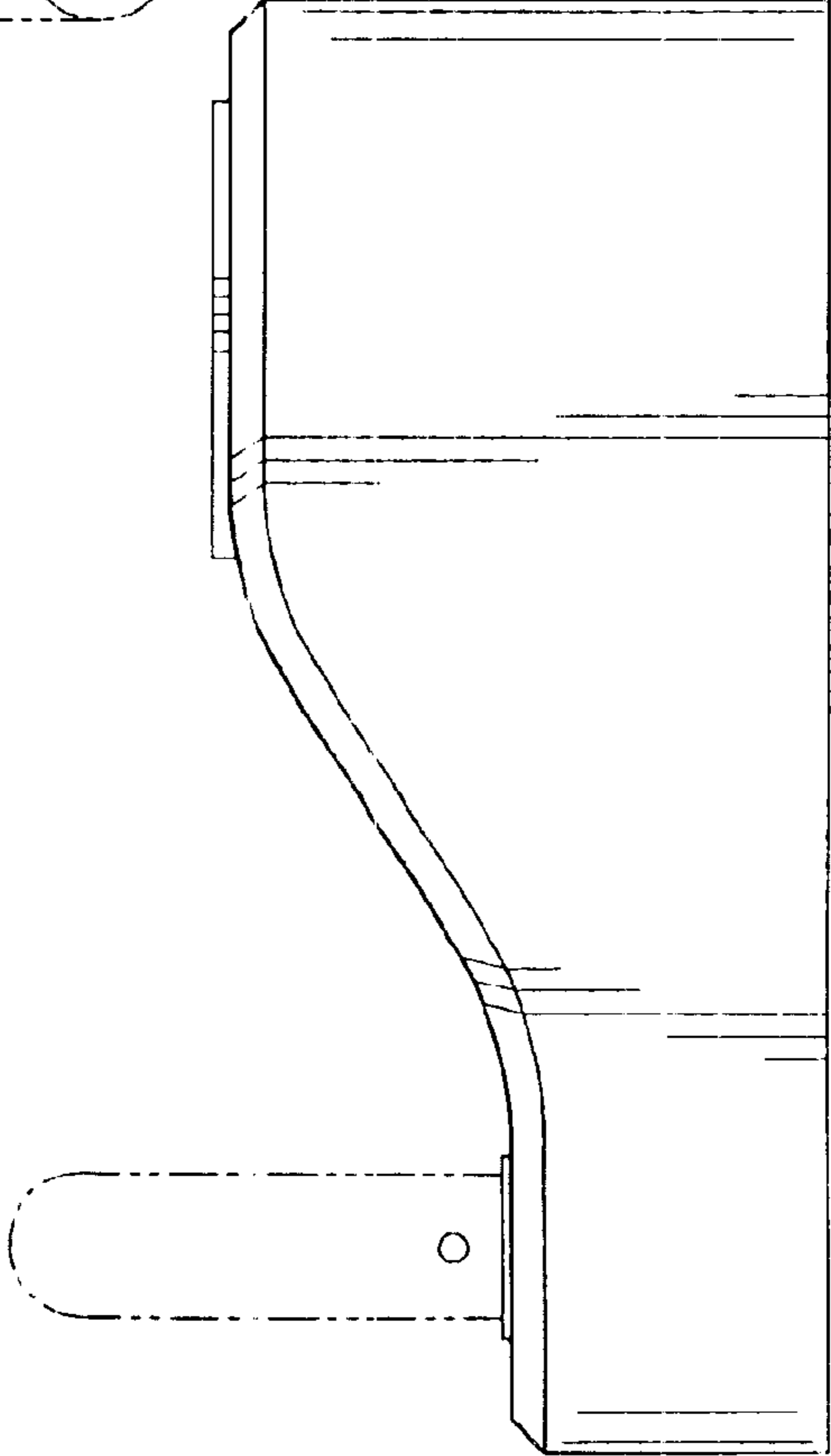


Fig-4

Fig-5

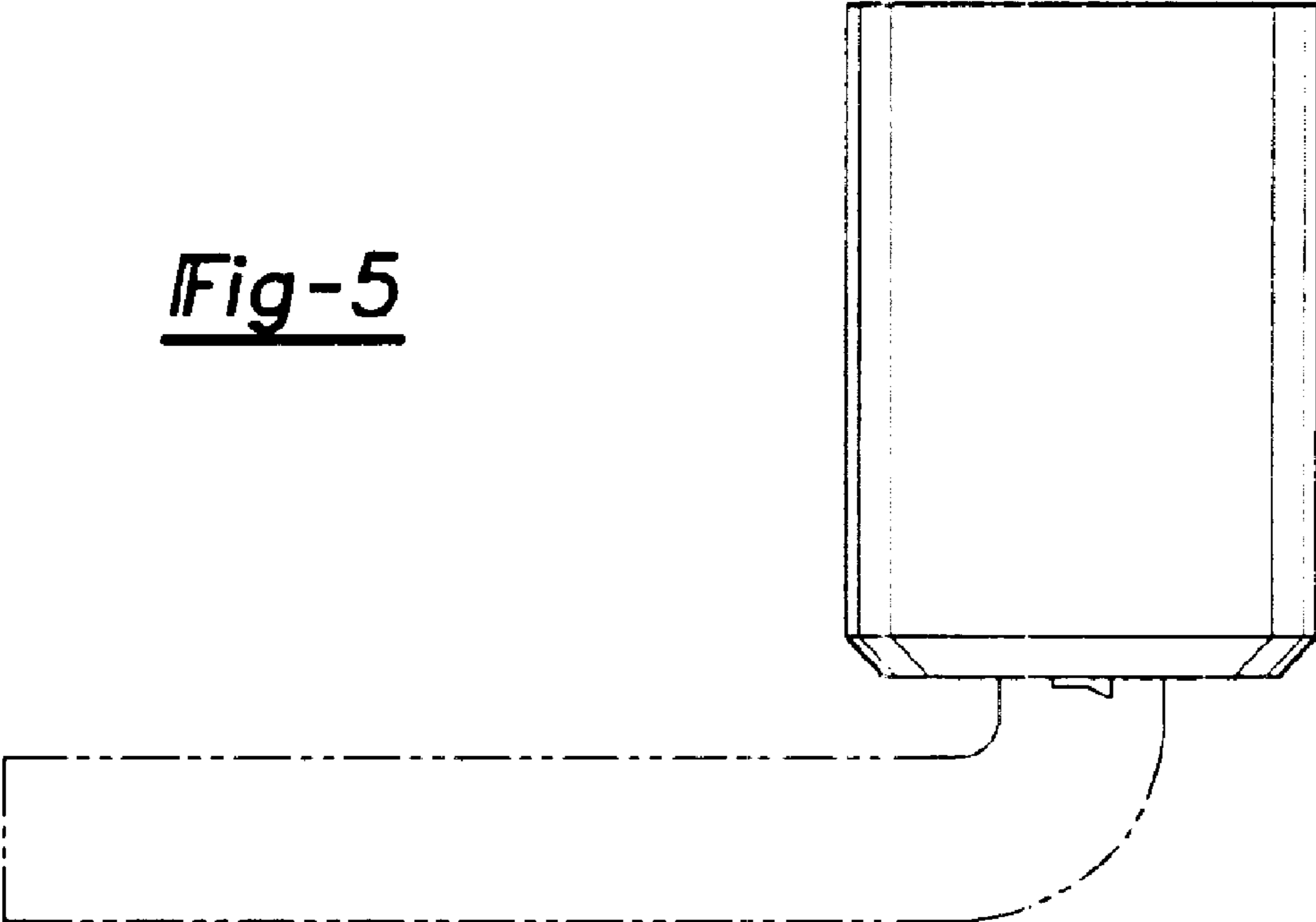


Fig-6

