

US00D501130S

(12) **United States Design Patent**
Schlack

(10) **Patent No.:** **US D501,130 S**
(45) **Date of Patent:** **** Jan. 25, 2005**

(54) **DOUBLE CATCH-EJECTOR LATCH**

(75) Inventor: **Richard E. Schlack**, Rising Sun, MD (US)

(73) Assignee: **Southco, Inc.**, Concordville, PA (US)

(**) Term: **14 Years**

(21) Appl. No.: **29/195,813**

(22) Filed: **Dec. 17, 2003**

(51) **LOC (7) Cl.** **08-07**

(52) **U.S. Cl.** **D8/331**

(58) **Field of Search** D8/330, 331, 336, D8/338, 339, 343, 349, 301, 30; 70/14, 51, 52, 141, 144; 292/109, 113, 137, 358, 204-207, 359, DIG. 42, DIG. 68

(56) **References Cited**

U.S. PATENT DOCUMENTS

| | | | | | | |
|-----------|---|---|---------|----------------|-------|------------|
| 2,840,407 | A | * | 6/1958 | Sellon, Jr. | | 292/169 |
| D303,621 | S | * | 9/1989 | Russell et al. | | D8/313 |
| 4,890,869 | A | * | 1/1990 | Langkamp, Jr. | | 292/113 |
| 4,996,631 | A | | 2/1991 | Freehauf | | 361/415 |
| 5,057,029 | A | | 10/1991 | Noorily | | 439/160 |
| 5,222,897 | A | | 6/1993 | Collins et al. | | 439/157 |
| D344,881 | S | * | 3/1994 | Sauerland | | D8/331 |
| 5,414,594 | A | * | 5/1995 | Hristake | | 361/755 |
| 5,478,125 | A | * | 12/1995 | Gromotka | | 292/67 |
| 5,638,474 | A | | 6/1997 | Lampert et al. | | |
| 5,669,512 | A | | 9/1997 | Joslin | | 211/41 |
| 5,781,471 | A | | 7/1998 | Kowshik et al. | | 365/185.07 |
| 5,791,920 | A | | 8/1998 | Tomioka | | 439/159 |
| D429,618 | S | * | 8/2000 | Tieu | | D8/331 |
| D433,614 | S | * | 11/2000 | Gisiger | | D8/331 |

| | | | | | | |
|--------------|----|---|---------|--------------|-------|---------|
| 6,159,036 | A | | 12/2000 | Daoud | | |
| 6,185,106 | B1 | * | 2/2001 | Mueller | | 361/798 |
| 6,266,248 | B1 | | 7/2001 | Hanas et al. | | |
| 6,312,275 | B1 | | 11/2001 | Tortorella | | |
| D458,110 | S | * | 6/2002 | Landeros | | D8/338 |
| D465,400 | S | * | 11/2002 | Moore et al. | | D8/331 |
| D487,560 | S | * | 3/2004 | Magnusson | | D8/331 |
| 2003/0039100 | A1 | | 2/2003 | Salinas | | 361/727 |
| 2004/0029435 | A1 | | 2/2004 | Larson | | 439/490 |

* cited by examiner

Primary Examiner—Prabhakar Deshmukh
(74) *Attorney, Agent, or Firm*—Paul and Paul

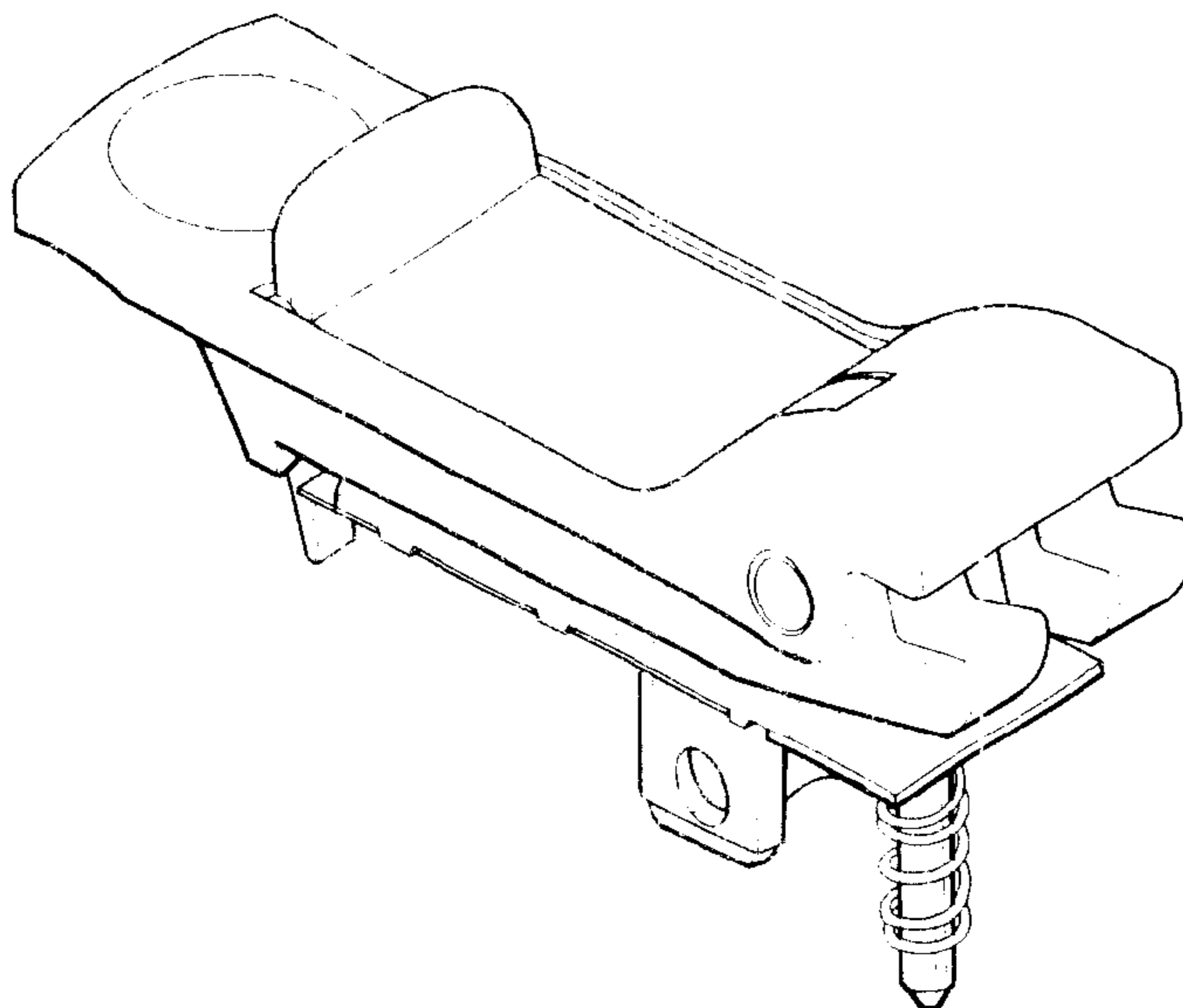
(57) **CLAIM**

The ornamental design for a double catch-ejector latch, as shown and described.

DESCRIPTION

FIG. 1 is perspective view of the double catch-ejector latch of the present invention;
 FIG. 2 is a top plan view of the double catch-ejector latch of the present invention;
 FIG. 3 is a right side elevation view of the double catch-ejector latch of FIG. 2;
 FIG. 4 is a left side elevation view of the double catch-ejector latch of FIG. 2;
 FIG. 5 is bottom plan view of the double catch-ejector latch of FIG. 2;
 FIG. 6 is a front side view of the double catch-ejector latch of FIG. 2; and,
 FIG. 7 is a rear side view of the double catch-ejector latch of FIG. 2.

1 Claim, 2 Drawing Sheets



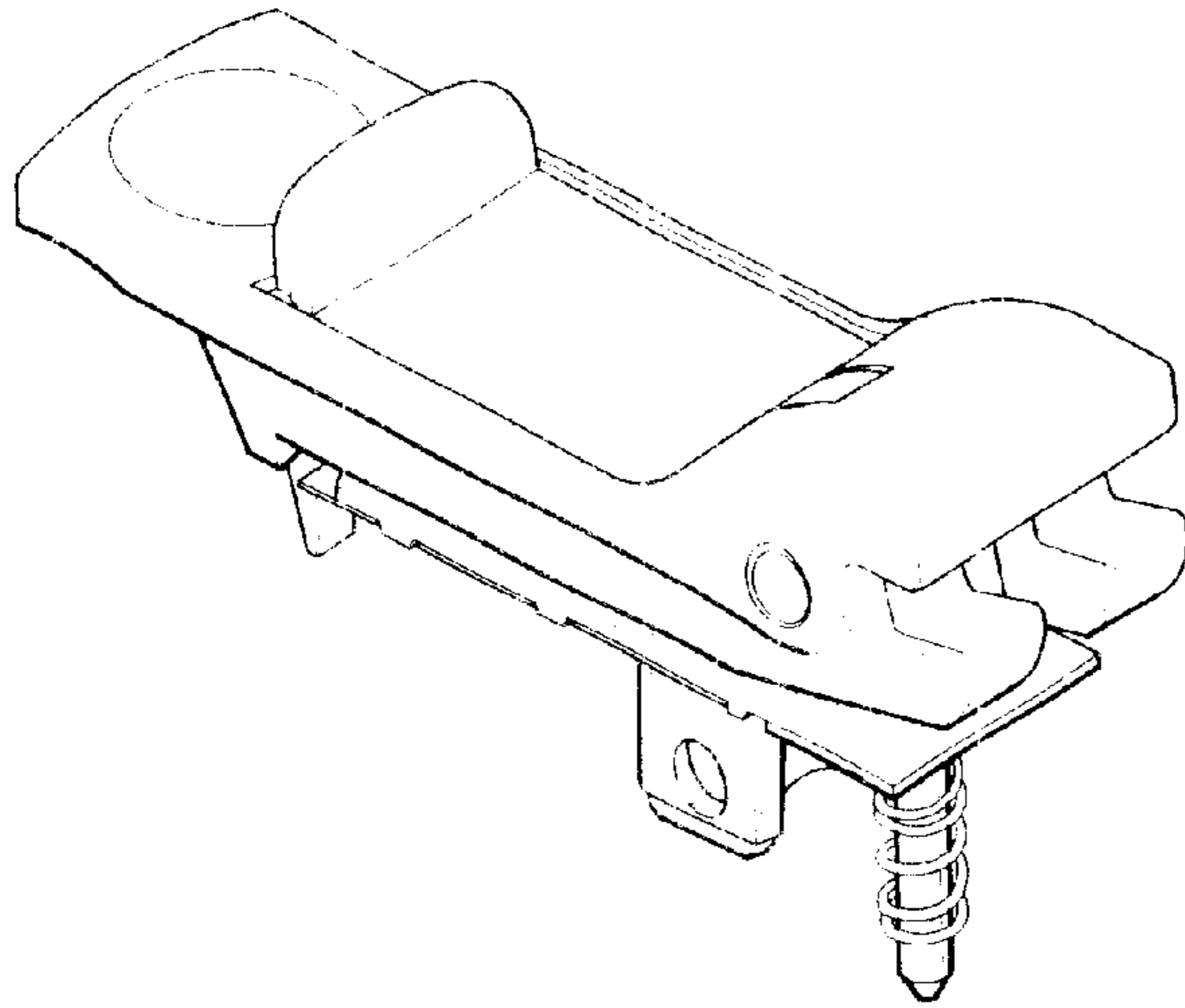


FIG. 1

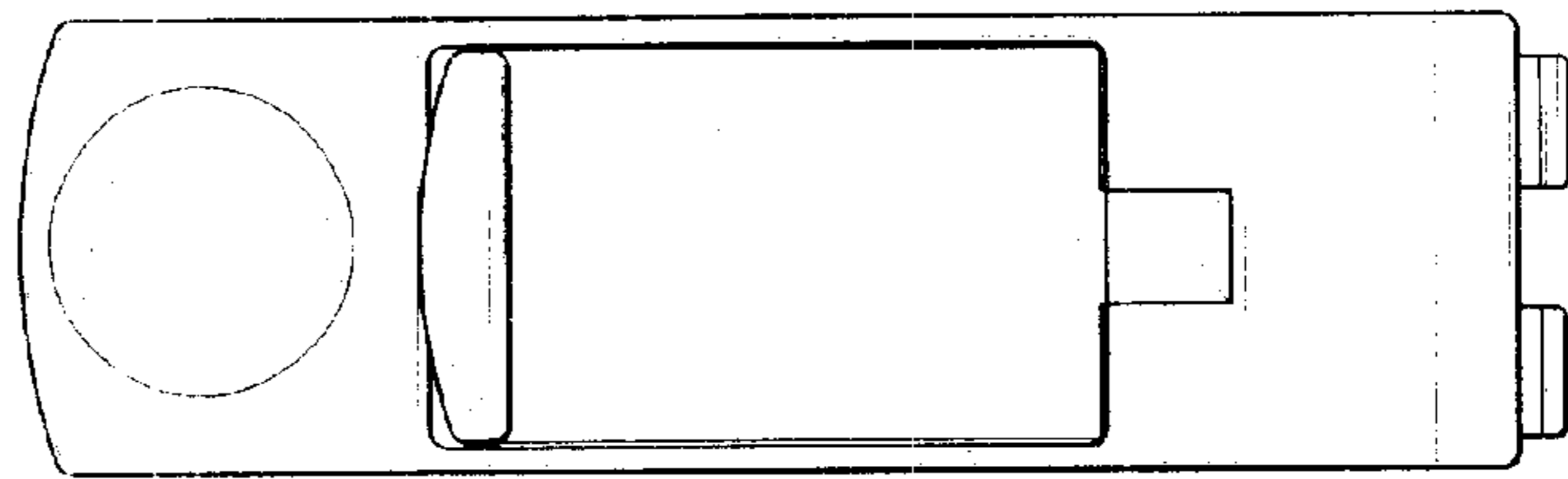


FIG. 2

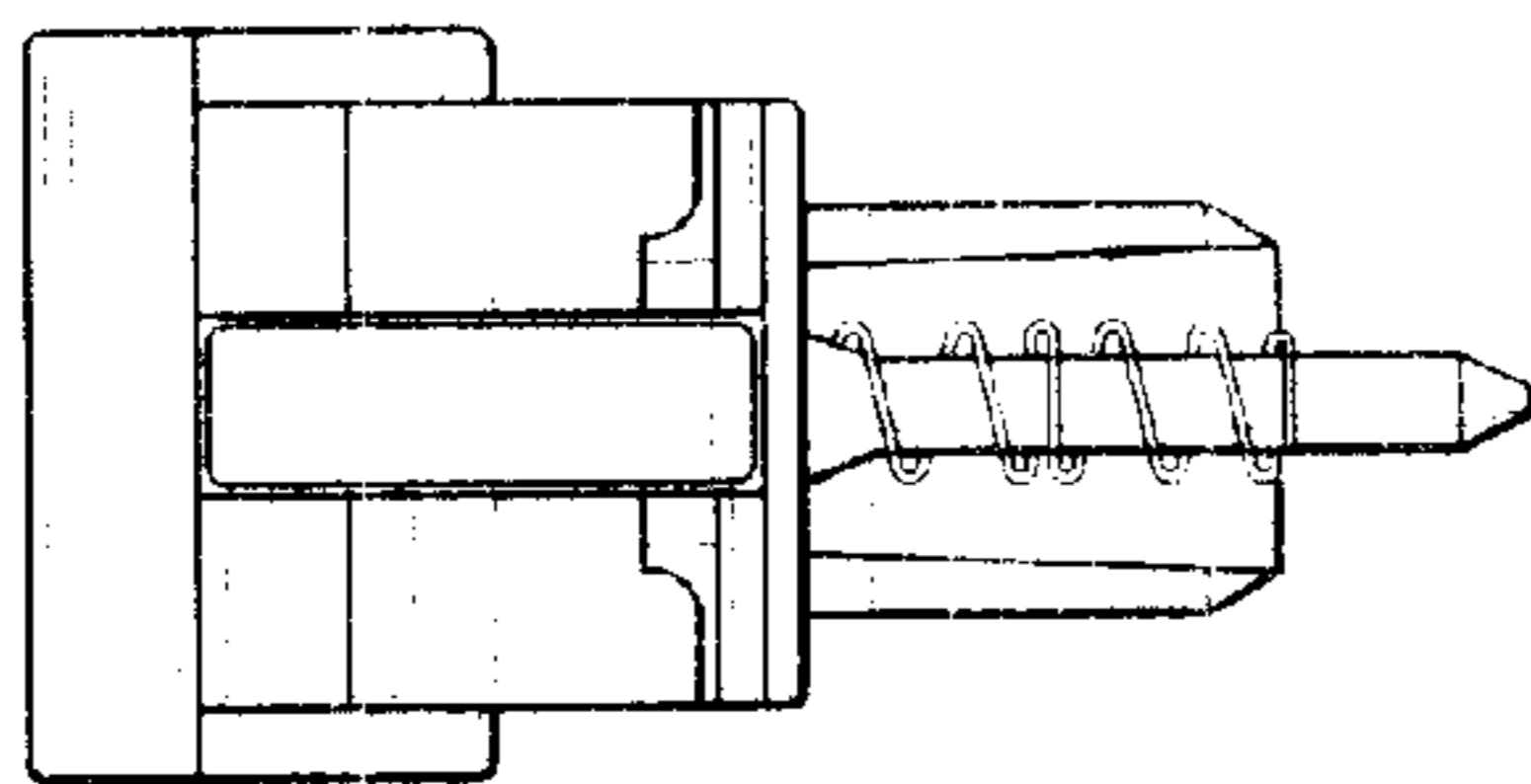


FIG. 3

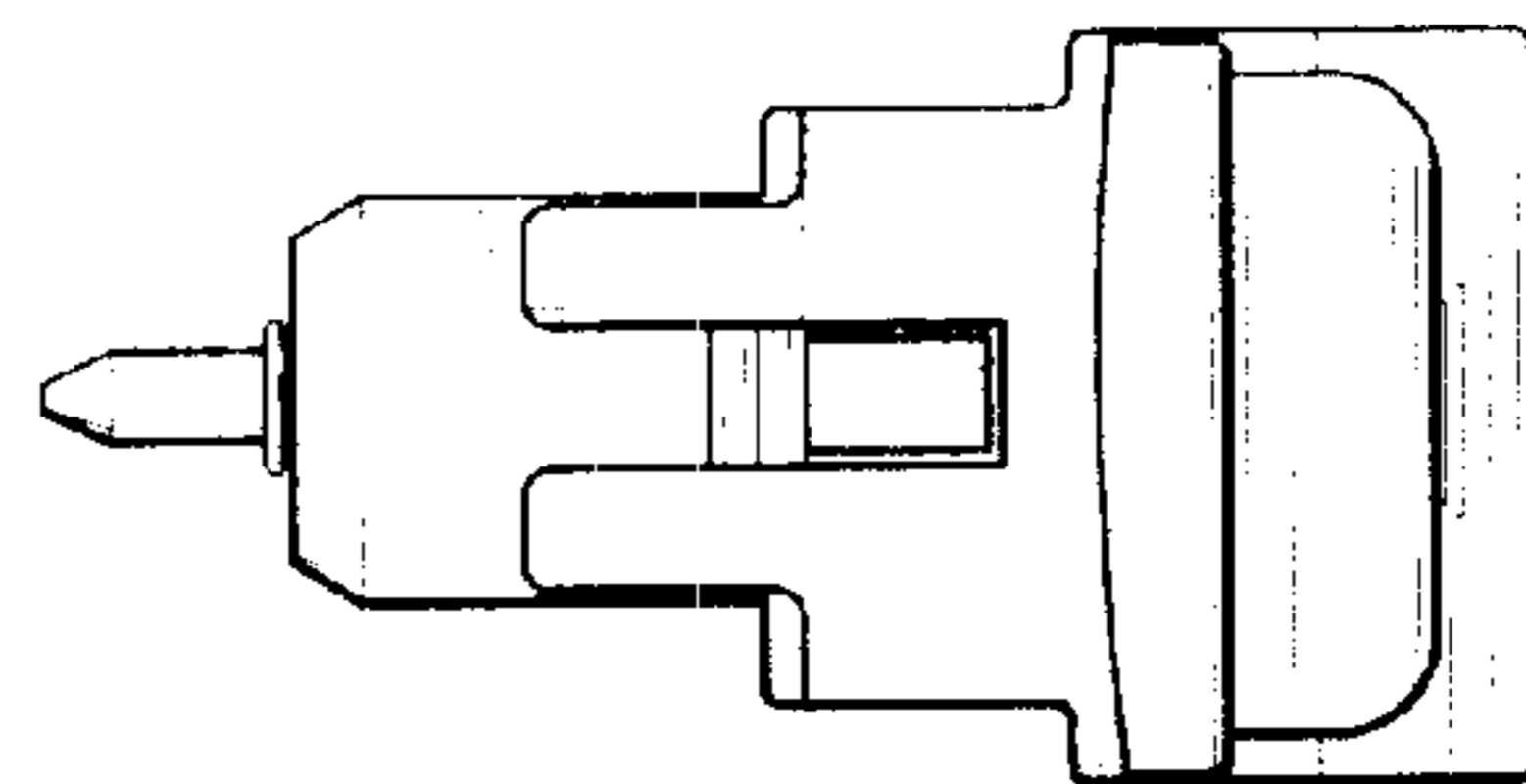


FIG. 4

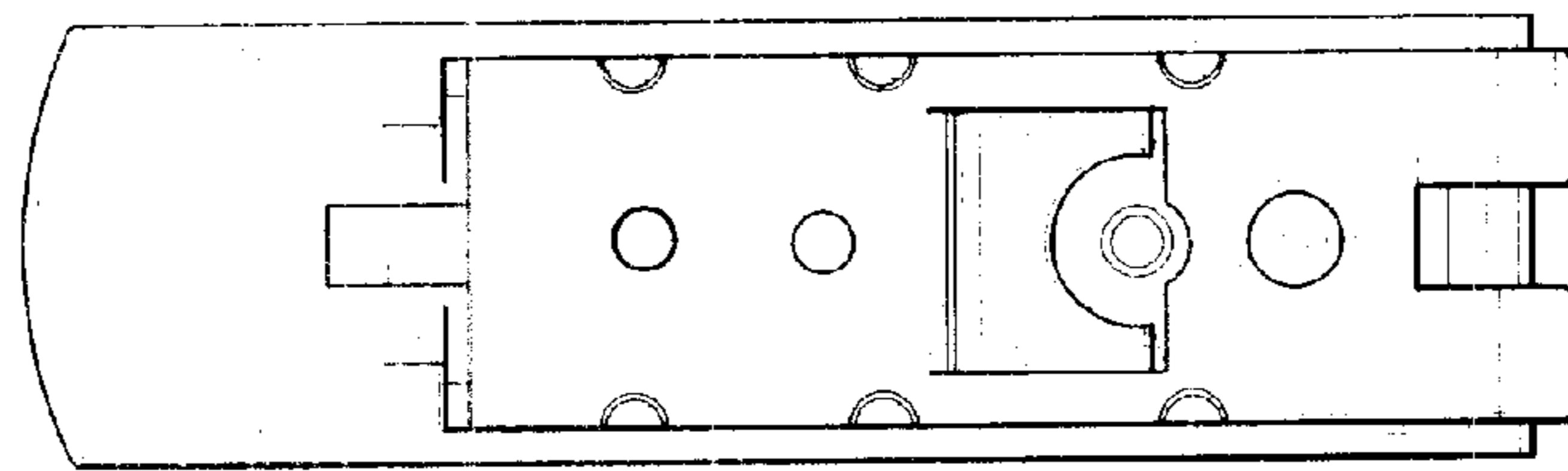


FIG. 5

FIG. 6

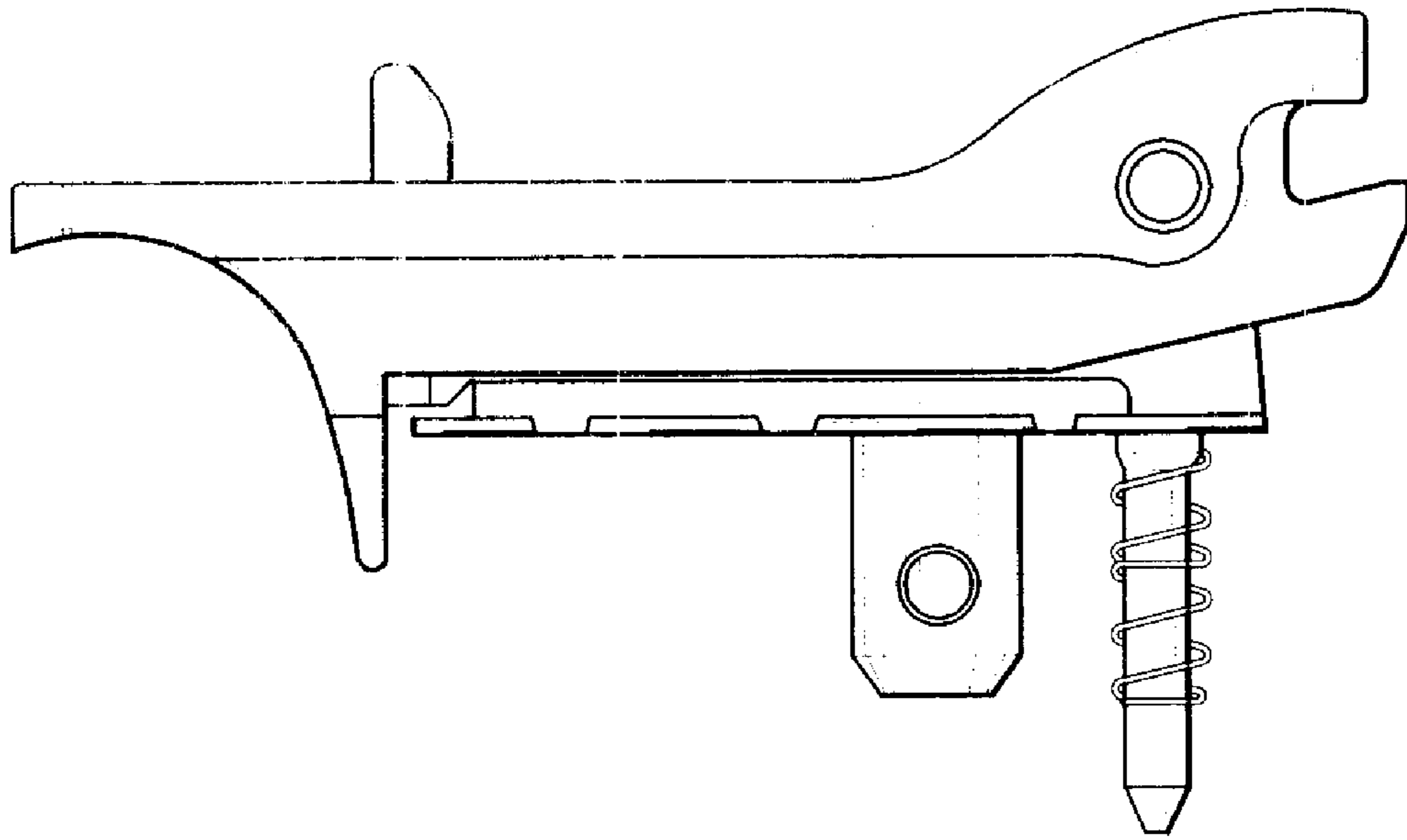
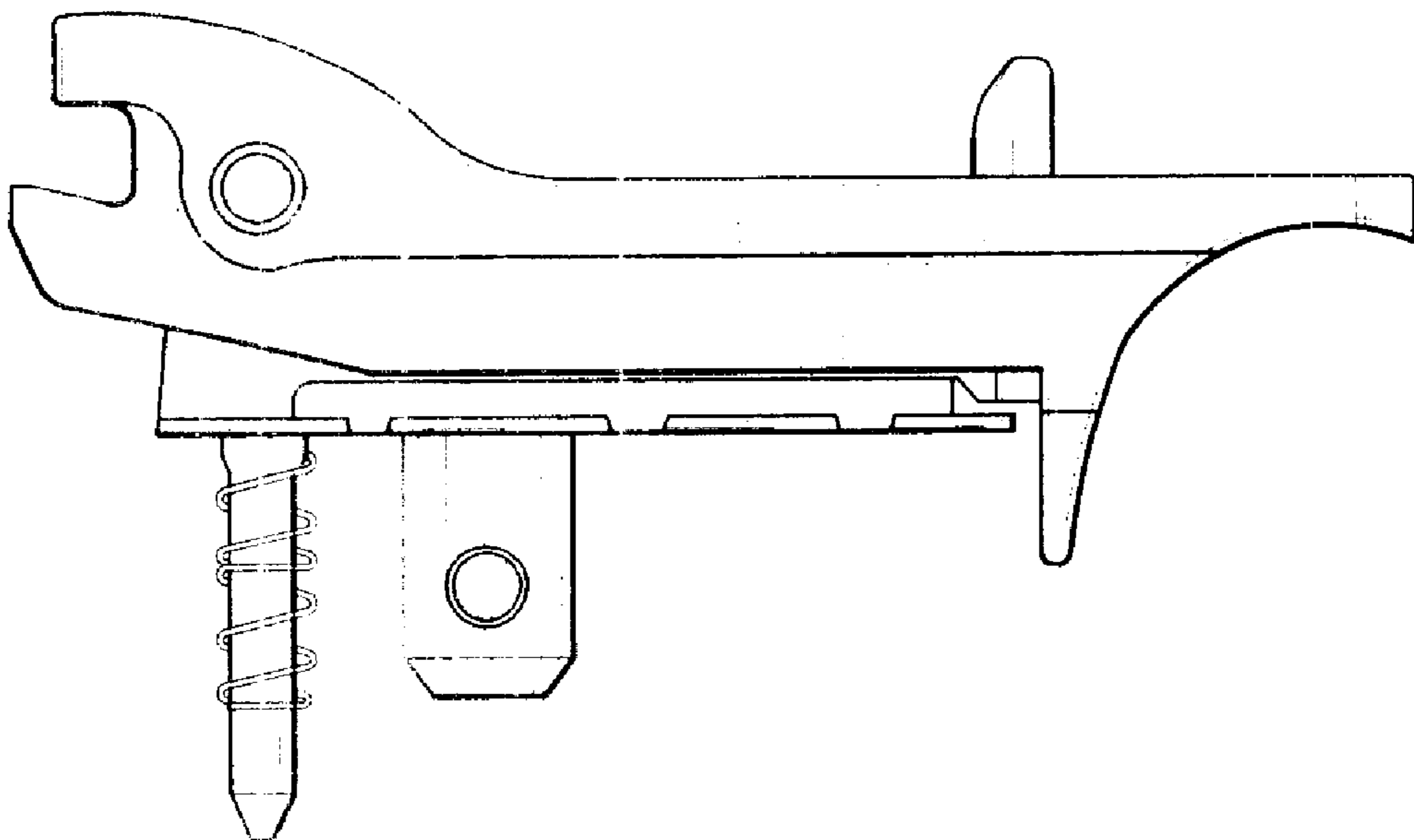


FIG. 7



UNITED STATES PATENT AND TRADEMARK OFFICE
CERTIFICATE OF CORRECTION

PATENT NO. : Des. 501,130 S
DATED : January 25, 2005
INVENTOR(S) : Richard E. Schlack

Page 1 of 4

It is certified that error appears in the above-identified patent and that said Letters Patent is hereby corrected as shown below:

The title page should be deleted and substitute therefore the attached title page as shown on the attached page.

Delete drawing sheets 1-2, consisting of Figs. 1-7 and substitute therefore the drawings sheets, 1-2 consisting of Figs. 1-7 as shown on the attached pages.

Signed and Sealed this

Fifth Day of July, 2005

A handwritten signature in black ink on a light gray dotted background. The signature reads "Jon W. Dudas" in a cursive style.

JON W. DUDAS

Director of the United States Patent and Trademark Office

(12) **United States Design Patent** (10) Patent No.: **US D501,130 S**
Schlack (45) Date of Patent: **** Jan. 25, 2005**

(54) **DOUBLE CATCH-EJECTOR LATCH**

(75) Inventor: **Richard E. Schlack, Rising Sun, MD (US)**

(73) Assignee: **Southco, Inc., Concordville, PA (US)**

(**) Term: **14 Years**

(21) Appl. No.: **29/195,813**

(22) Filed: **Dec. 17, 2003**

(51) LOC (7) Cl. **08-07**

(52) U.S. Cl. **D8/331**

(58) Field of Search **D8/330, 331, 336, D8/338, 339, 343, 349, 301, 30, 70/14, 51, 52, 141, 144; 292/109, 113, 137, 358, 204-207, 359, DIG. 42, DIG. 68**

(56) **References Cited**

U.S. PATENT DOCUMENTS

| | | | | |
|-------------|---|---------|----------------|------------|
| 2,840,407 A | * | 6/1958 | Sellon, Jr. | 292/169 |
| D303,621 S | * | 9/1989 | Russell et al. | D8/313 |
| 4,890,869 A | * | 1/1990 | Langkamp, Jr. | 292/113 |
| 4,996,631 A | | 2/1991 | Freehauf | 361/415 |
| 5,057,029 A | | 10/1991 | Noorily | 439/160 |
| 5,222,897 A | | 6/1993 | Collins et al. | 439/157 |
| D344,881 S | * | 3/1994 | Sauerland | D8/331 |
| 5,414,594 A | * | 5/1995 | Hristake | 361/755 |
| 5,478,125 A | * | 12/1995 | Gromotka | 292/67 |
| 5,638,474 A | | 6/1997 | Lampert et al. | |
| 5,669,512 A | | 9/1997 | Joslin | 211/41 |
| 5,781,471 A | | 7/1998 | Kowshik et al. | 365/185.07 |
| 5,791,920 A | | 8/1998 | Tomioka | 439/159 |
| D429,618 S | * | 8/2000 | Tieu | D8/331 |
| D433,614 S | * | 11/2000 | Gisiger | D8/331 |

| | | | | |
|-----------------|---|---------|--------------|---------|
| 6,159,036 A | | 12/2000 | Daoud | |
| 6,185,106 B1 | * | 2/2001 | Mueller | 361/798 |
| 6,266,248 B1 | | 7/2001 | Hanas et al. | |
| 6,312,275 B1 | | 11/2001 | Tortorella | |
| D458,110 S | * | 6/2002 | Landeros | D8/338 |
| D465,400 S | * | 11/2002 | Moore et al. | D8/331 |
| D487,560 S | * | 3/2004 | Magnusson | D8/331 |
| 2003/0039100 A1 | | 2/2003 | Salinas | 361/727 |
| 2004/0029435 A1 | | 2/2004 | Larson | 439/490 |

* cited by examiner

Primary Examiner—Prabhakar Deshmukh
 (74) Attorney, Agent, or Firm—Paul and Paul

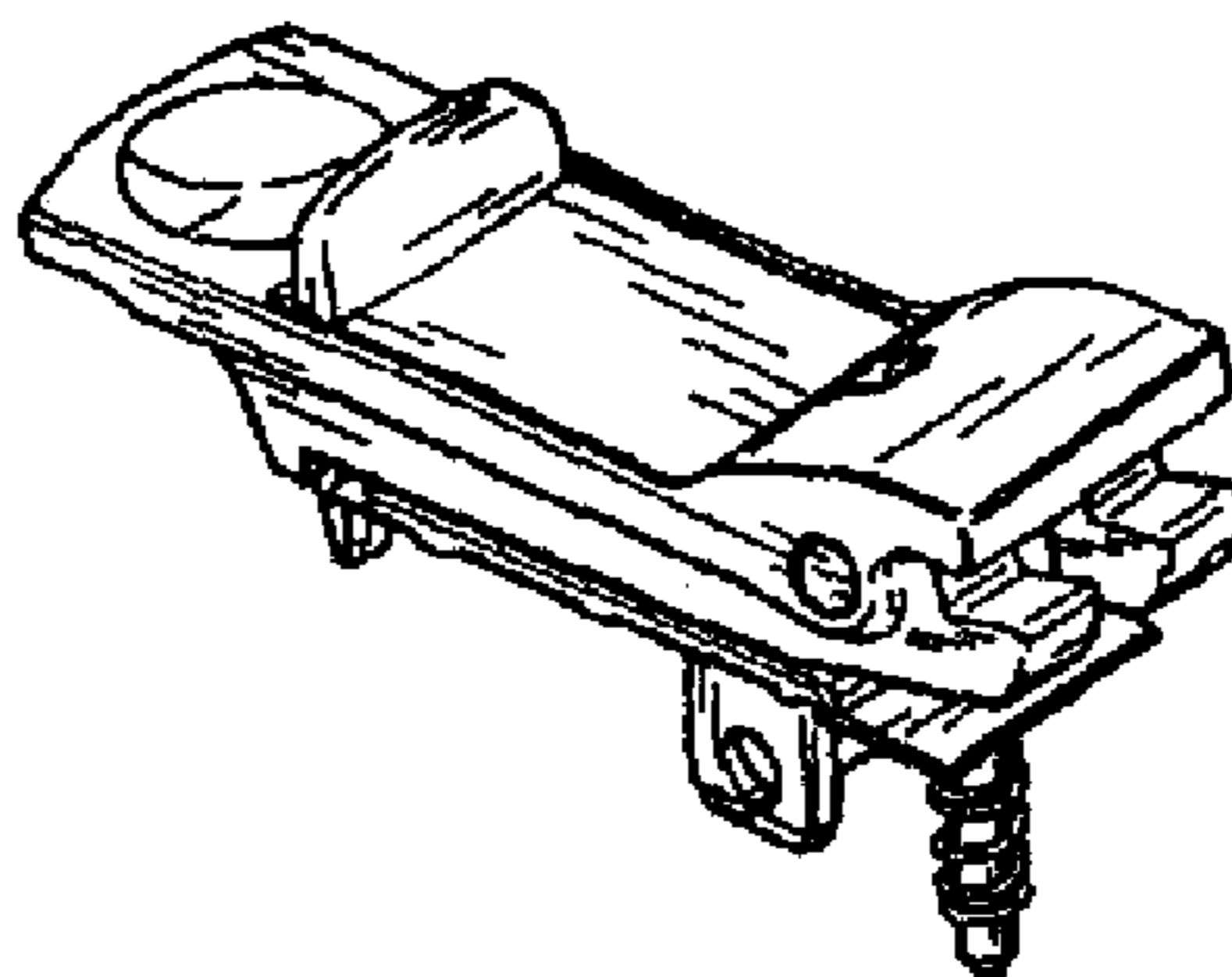
(57) **CLAIM**

The ornamental design for a double catch-ejector latch, as shown and described.

DESCRIPTION

FIG. 1 is perspective view of the double catch-ejector latch of the present invention;
 FIG. 2 is a top plan view of the double catch-ejector latch of the present invention;
 FIG. 3 is a right side elevation view of the double catch-ejector latch of FIG. 2;
 FIG. 4 is a left side elevation view of the double catch-ejector latch of FIG. 2;
 FIG. 5 is bottom plan view of the double catch-ejector latch of FIG. 2;
 FIG. 6 is a front side view of the double catch-ejector latch of FIG. 2; and,
 FIG. 7 is a rear side view of the double catch-ejector latch of FIG. 2.

1 Claim, 2 Drawing Sheets



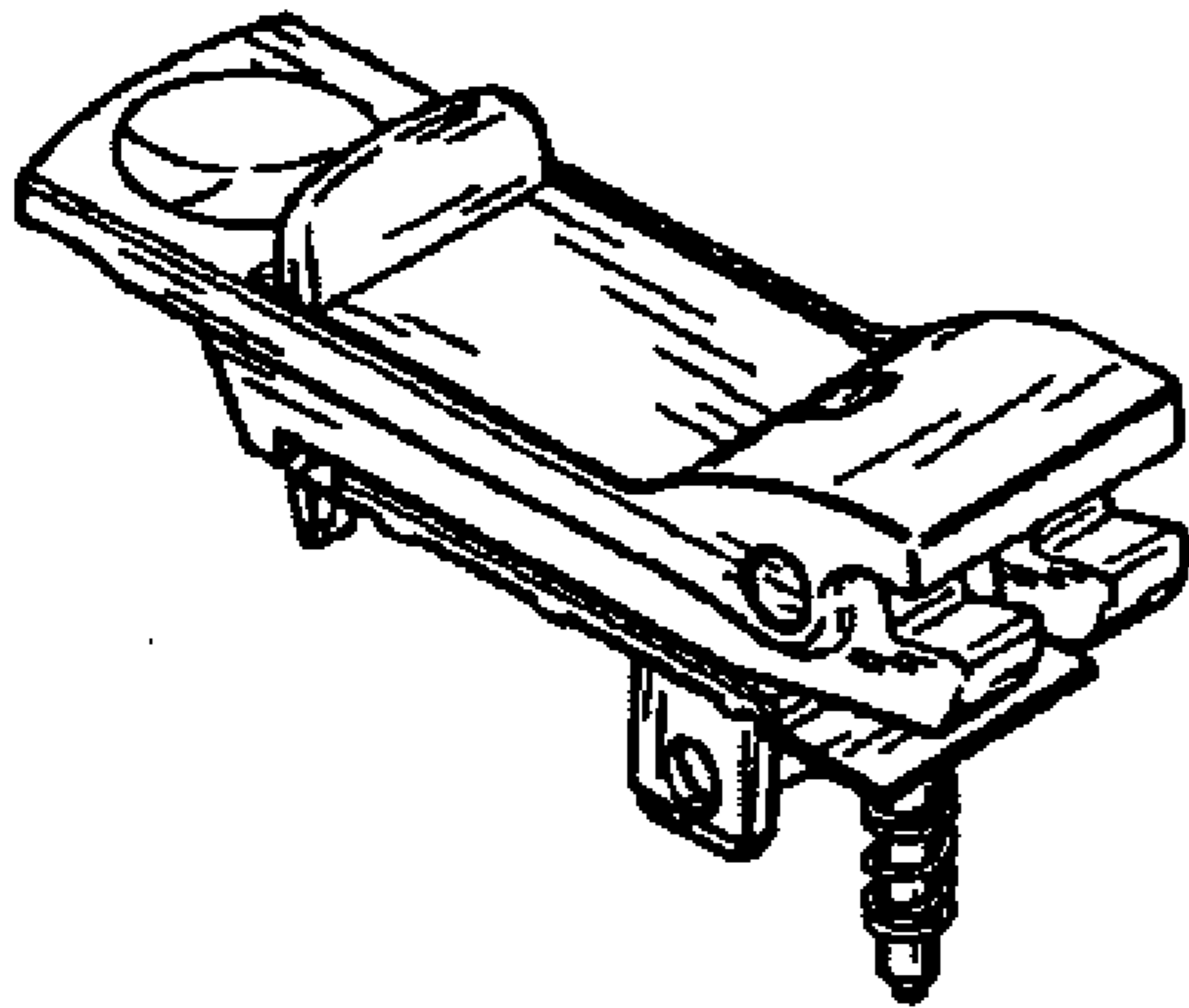


FIG. 1

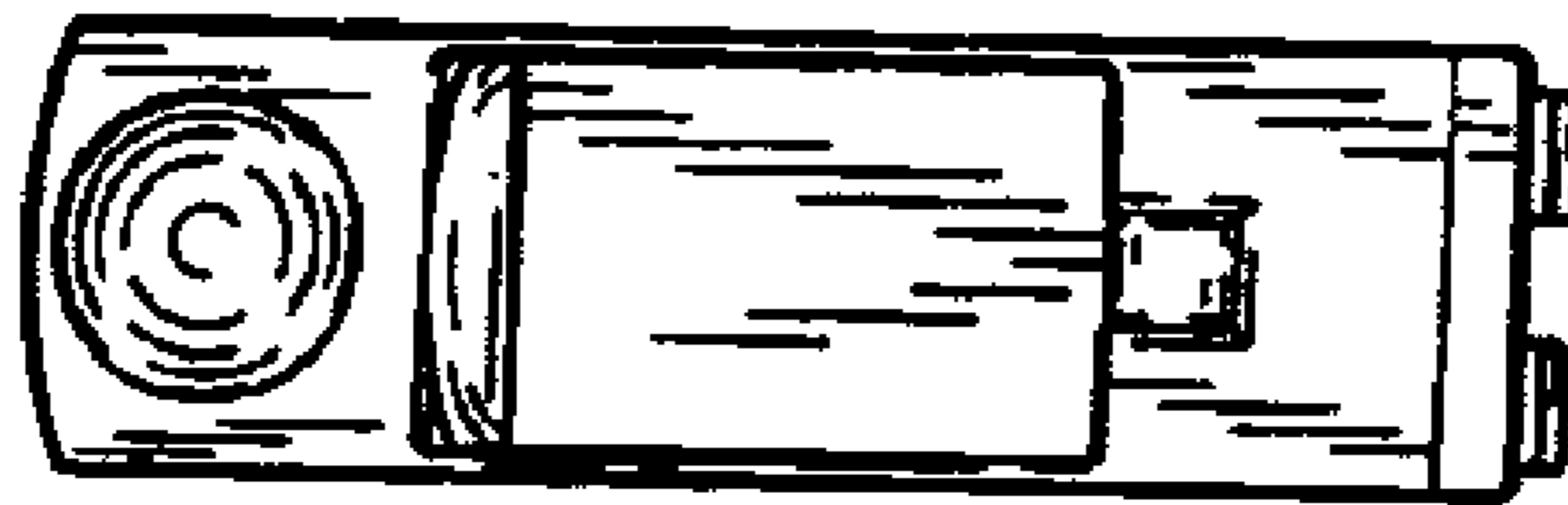


FIG. 2

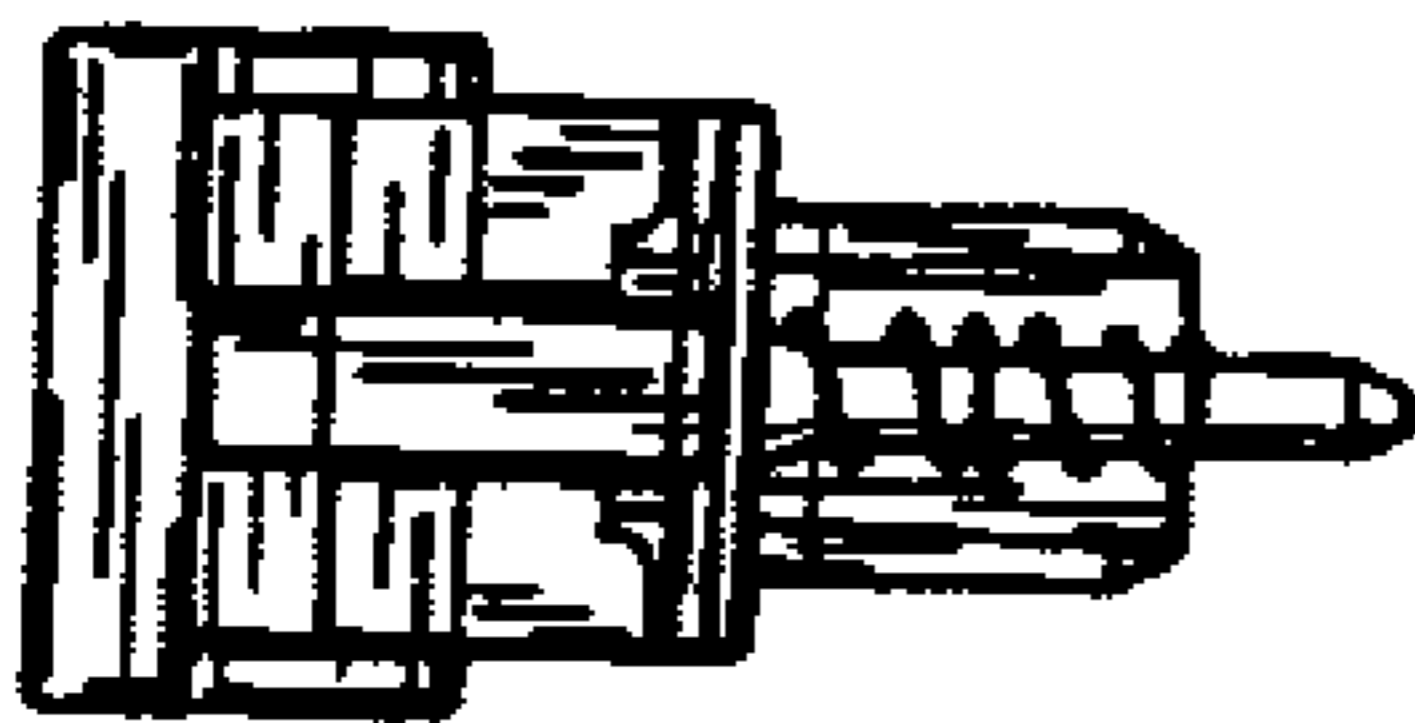


FIG. 3

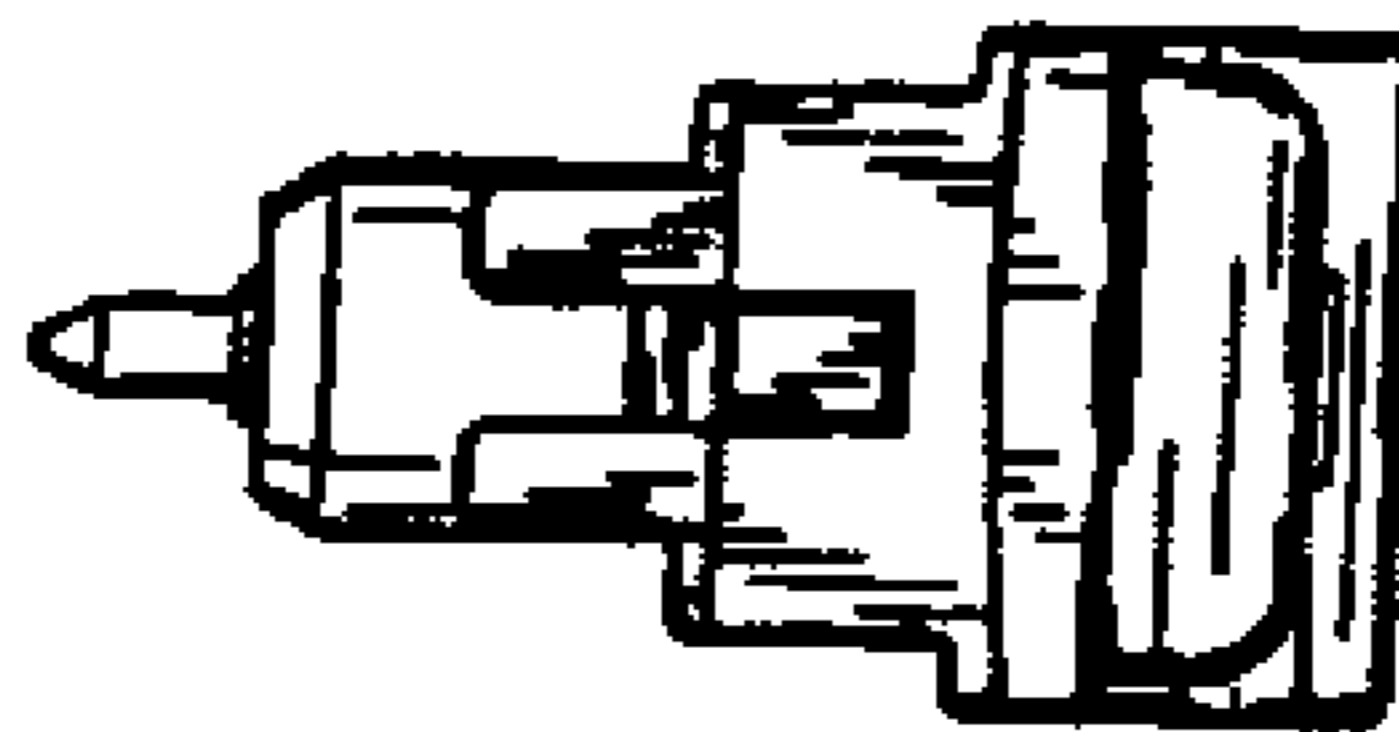


FIG. 4

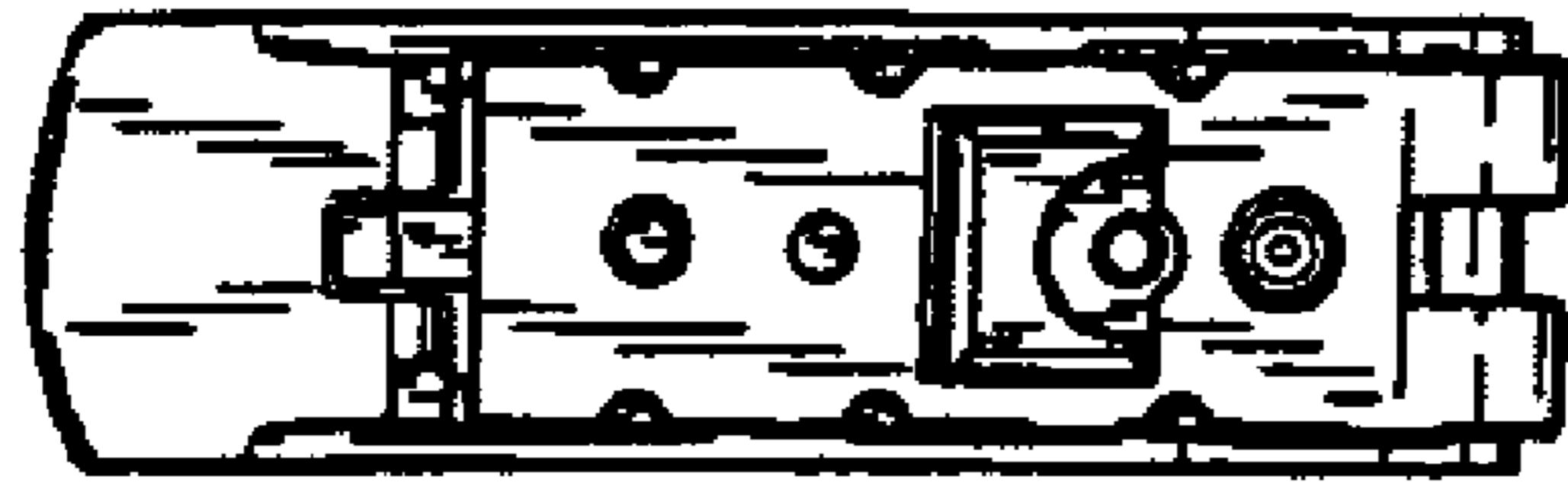


FIG. 5

FIG. 6

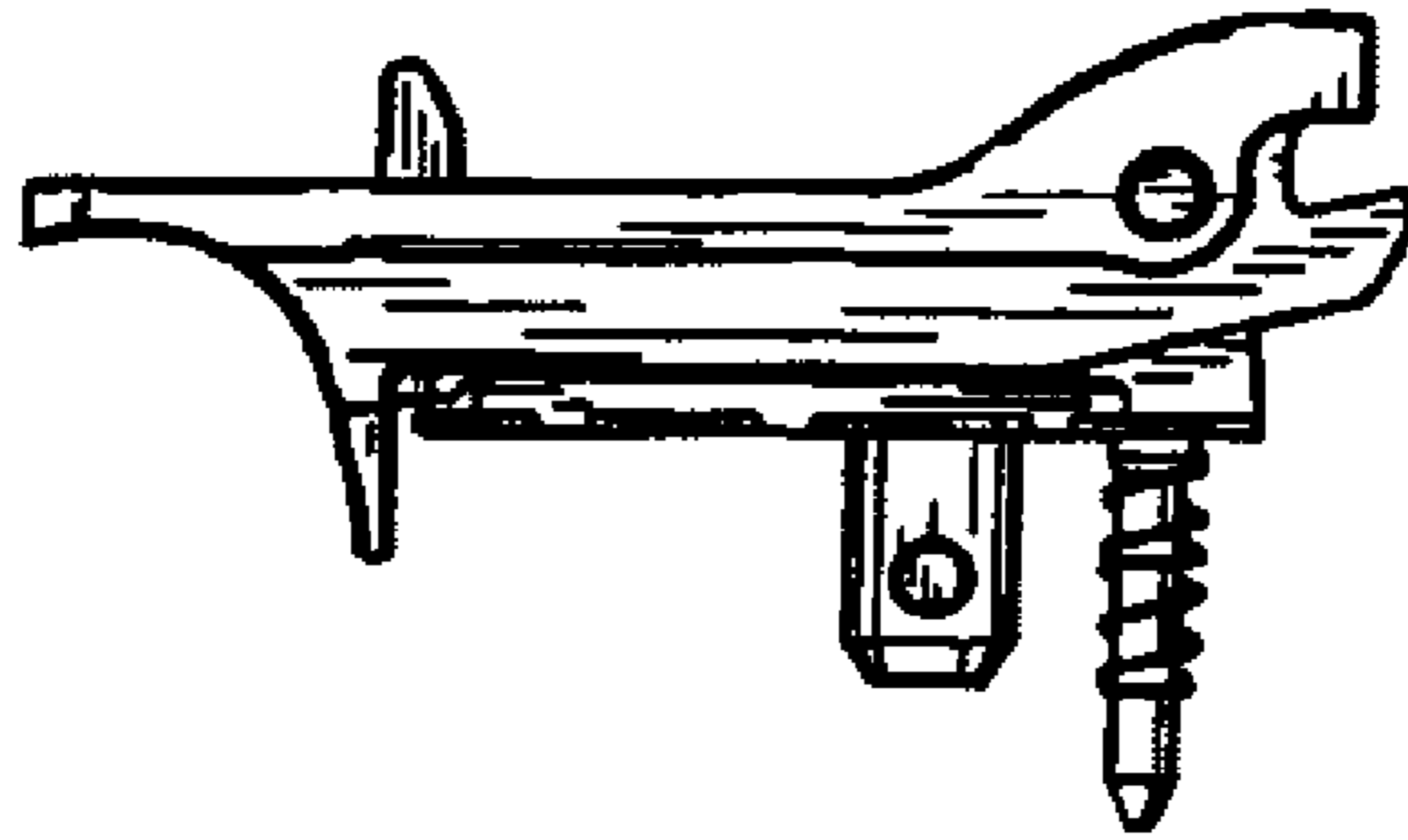


FIG. 7

