

US00D501128S

(12) **United States Design Patent**  
Nyberg et al.

(10) **Patent No.: US D501,128 S**  
(45) **Date of Patent: \*\* Jan. 25, 2005**

(54) **EXTENDABLE HANDLE FOR OXYGEN  
CONCENTRATOR UNIT INCLUDING  
BRACKET FOR ASSOCIATED TUBING AND  
POWER CORD**

(76) Inventors: **Cherié M. Nyberg**, 1190 Villa Vista  
Cir., Cromwell, MN (US) 55726;  
**Donald D. Nyberg**, 1190 Villa Vista  
Cir., Cromwell, MN (US) 55726

(\*\*) Term: **14 Years**

(21) Appl. No.: **29/192,850**

(22) Filed: **Oct. 31, 2003**

(51) **LOC (7) Cl. .... 08-06**

(52) **U.S. Cl. .... D8/307**

(58) **Field of Search** ..... D8/300, 303, 307,  
D8/308, 358; 294/24, 26, 158; 15/323,  
315, 334, 351, 410; 280/654; D23/223;  
D24/217; D32/25, 34

(56) **References Cited**

**U.S. PATENT DOCUMENTS**

1,936,761	A	*	11/1933	Hoover	.....	15/334
2,271,901	A	*	2/1942	Smith et al.	.....	294/26
2,401,986	A		6/1946	Talbott		
2,784,005	A	*	3/1957	Abgarian	.....	280/645
D208,240	S	*	8/1967	Titus	.....	D32/25
3,404,427	A		10/1968	Mack		
3,717,288	A		2/1973	Schlegel		
3,719,305	A		3/1973	Pressnell		
D236,583	S	*	9/1975	Hill	.....	D8/300
4,462,525	A		7/1984	Pingleton et al.		
4,842,158	A		6/1989	Reyes, Jr.		
5,251,944	A		10/1993	Truitt		

5,367,741	A	*	11/1994	Hampton et al.	.....	15/323
D362,181	S		9/1995	Meyers et al.		
5,484,081	A		1/1996	Jahn		
5,484,182	A		1/1996	Meisner		
5,730,479	A		3/1998	Jansson		
5,836,489	A		11/1998	Swetish		
5,836,519	A		11/1998	Brown		
6,241,415	B1		6/2001	Stark		
6,422,623	B1	*	7/2002	Thomas	.....	294/24

\* cited by examiner

*Primary Examiner*—Paula A. Greene

(74) *Attorney, Agent, or Firm*—Donald R. Schoonover

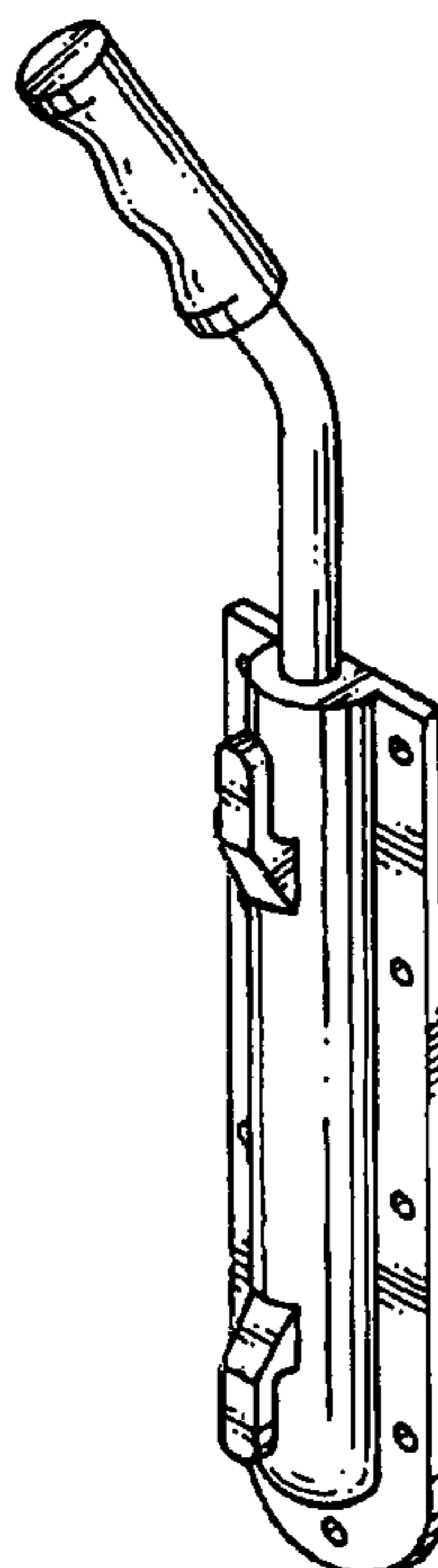
(57) **CLAIM**

We claim the ornamental design for an extendable handle for oxygen concentrator unit including bracket for associated tubing and power cord, as shown and described.

**DESCRIPTION**

FIG. 1 is a perspective view of an extendable handle for oxygen concentrator unit including bracket for associated tubing and power cord showing our new design; FIG. 2 is a front elevational view thereof; FIG. 3 is a rear elevational view thereof; FIG. 4 is a side elevational view thereof, the elevational view of the opposing side being a mirror image thereof; FIG. 5 is a top plan view thereof; FIG. 6 is a bottom plan view thereof; and, FIG. 7 is a reduced side elevational view showing the extendable handle for oxygen concentrator unit including bracket for associated tubing and power cord in use; the broken lines depict environmental structure for illustrative purposes only and form no part of the claimed design.

**1 Claim, 3 Drawing Sheets**



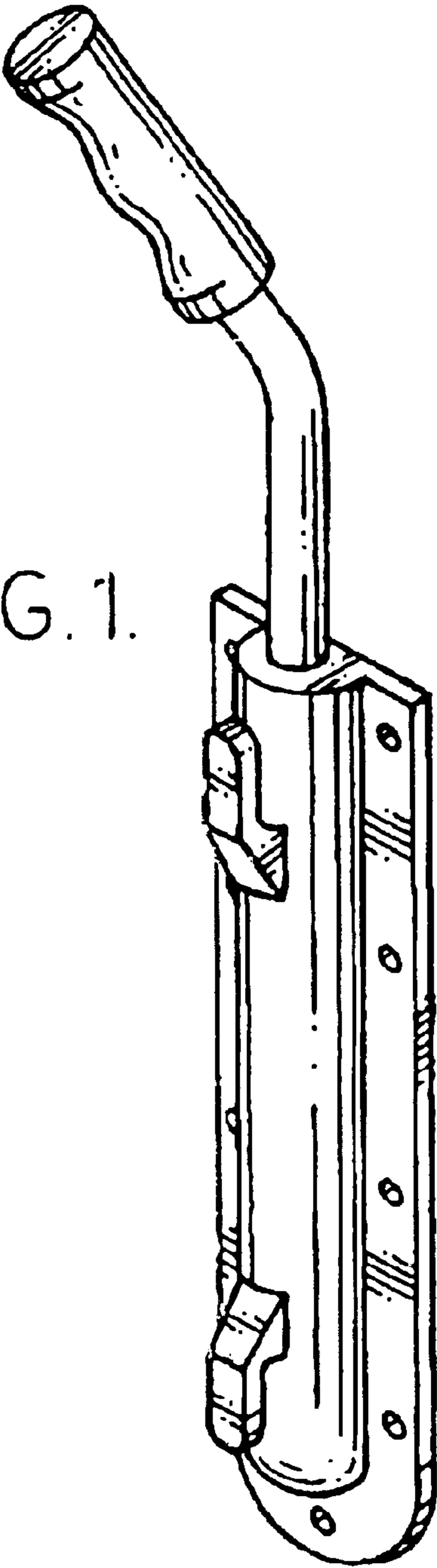


FIG. 1.

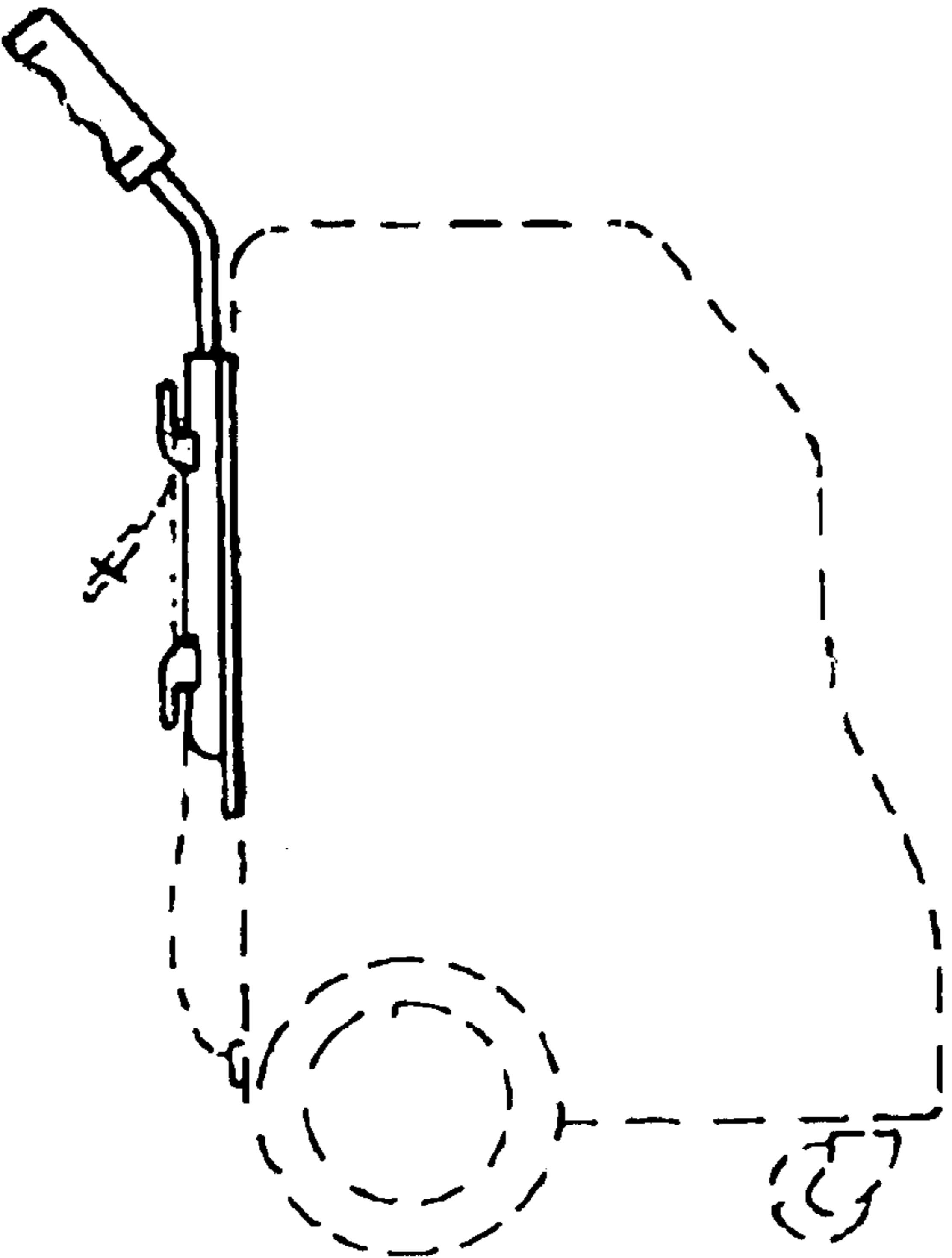


FIG. 7.

FIG.2.

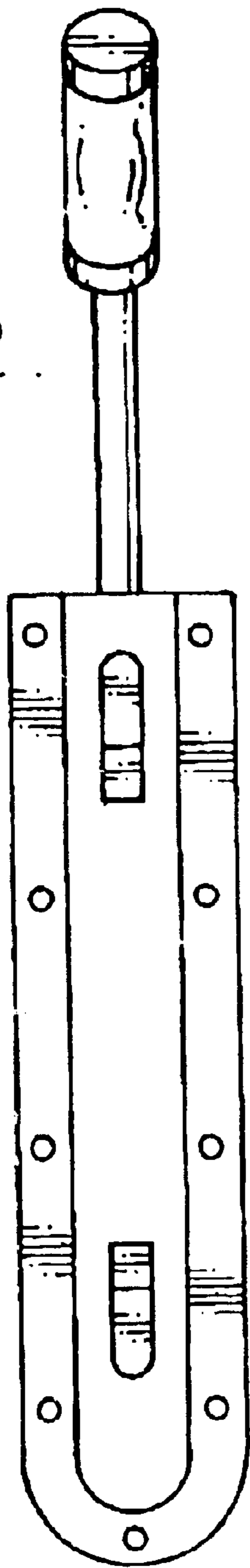
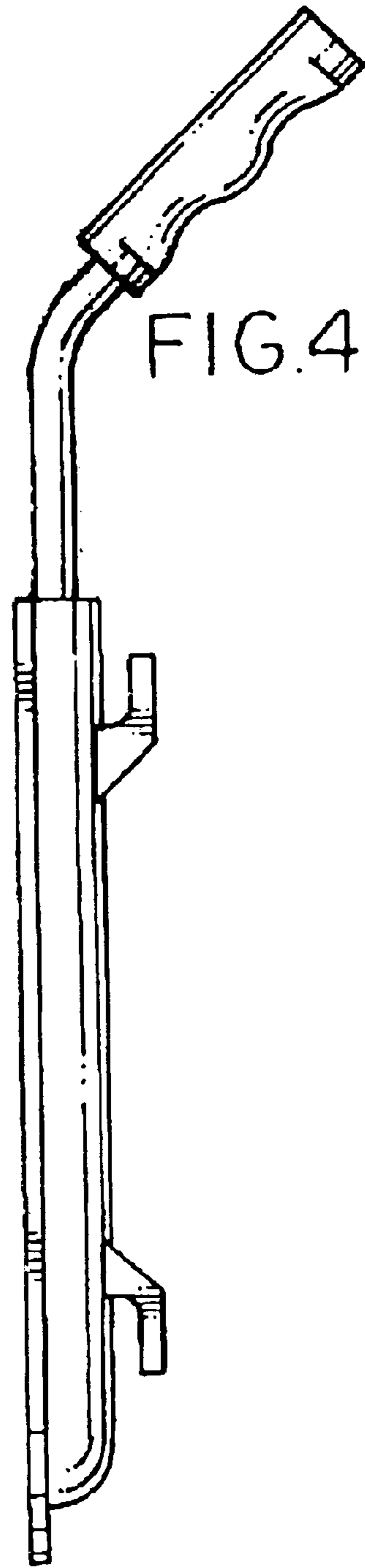


FIG.4.



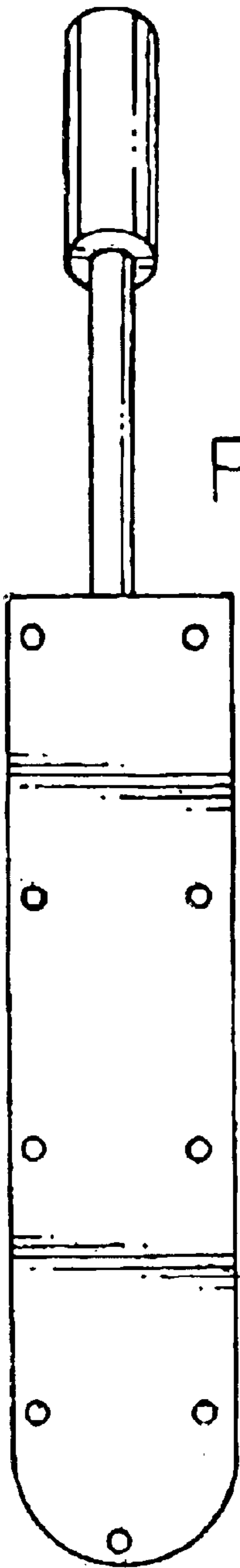


FIG. 3.

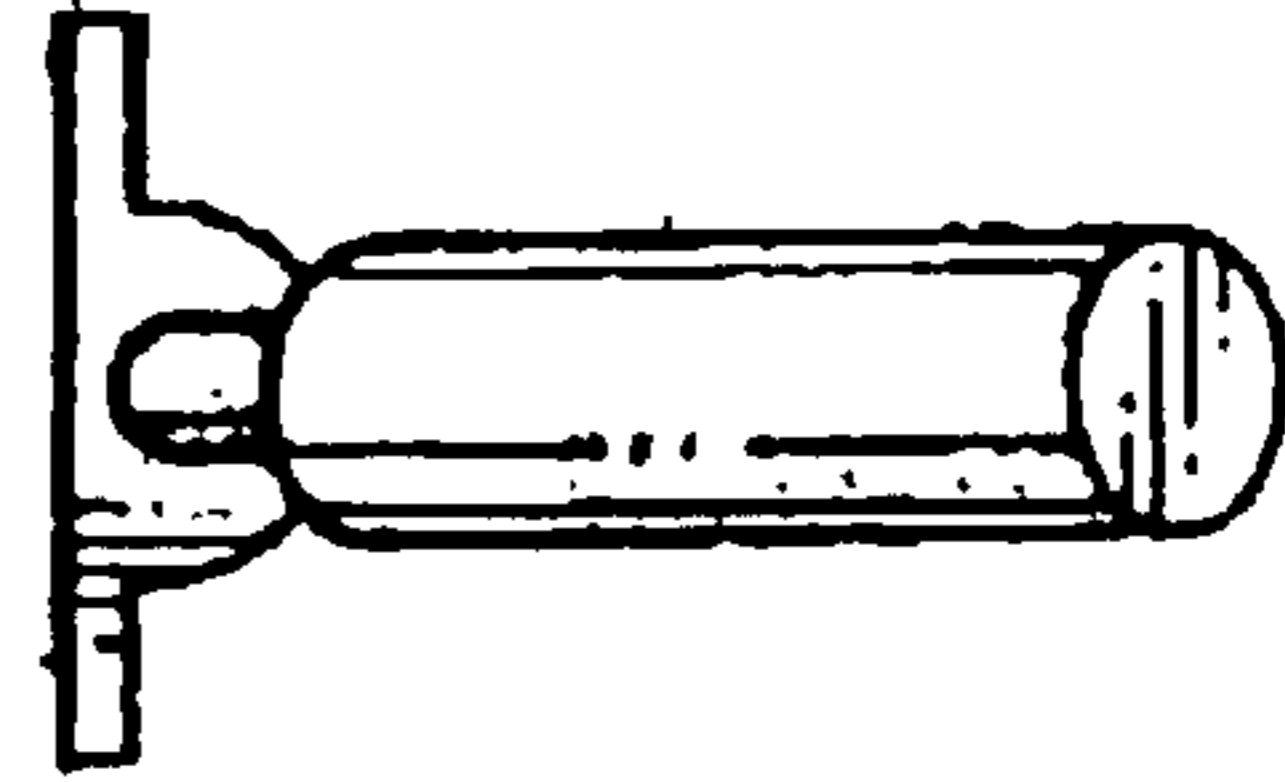


FIG. 5.

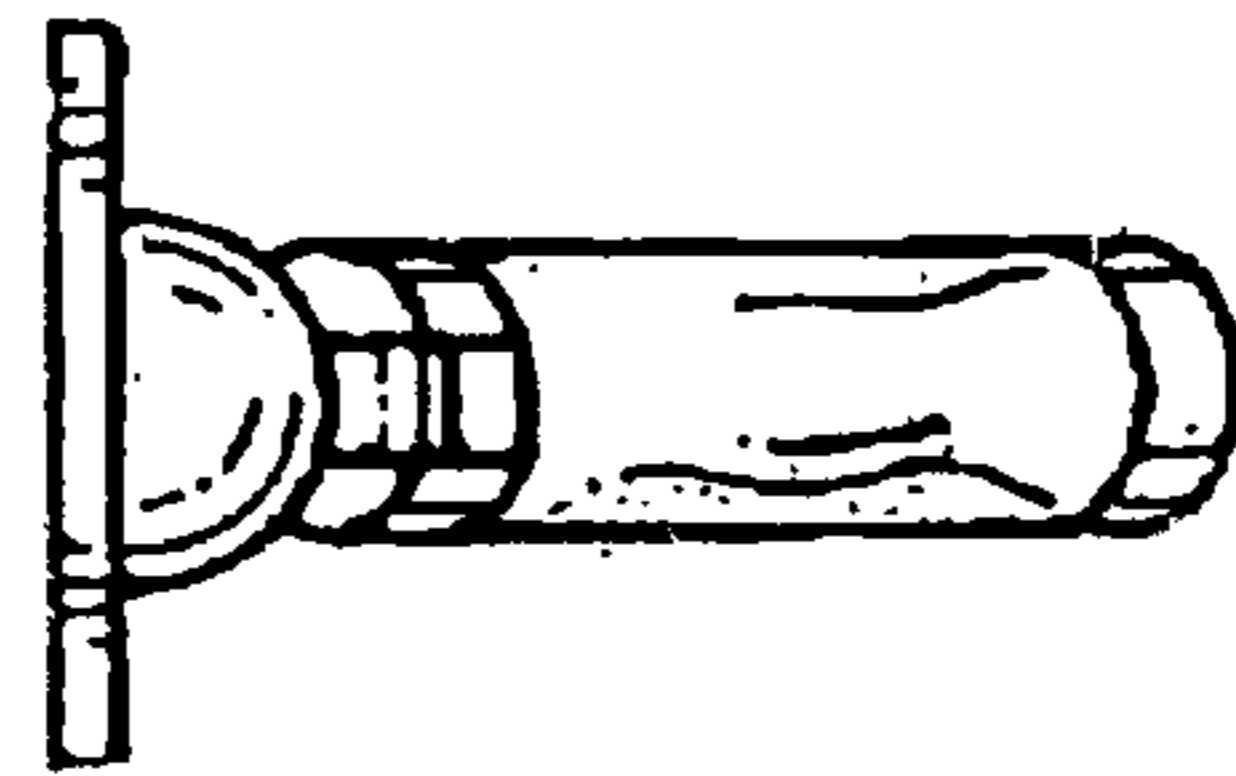


FIG. 6.