

US00D501125S

(12) **United States Design Patent**  
**Winig et al.**

(10) **Patent No.:** **US D501,125 S**  
(45) **Date of Patent:** **\*\* Jan. 25, 2005**

- (54) **TOOL HOLDER**
- (75) Inventors: **Alan Winig**, Wynnewood, PA (US);  
**Richard Winig**, Villanova, PA (US);  
**James Eldon**, Barto, PA (US)
- (73) Assignee: **SS3 Storage Systems, LLC**,  
Wilmington, DE (US)
- (\*\*) Term: **14 Years**
- (21) Appl. No.: **29/187,609**
- (22) Filed: **Aug. 4, 2003**
- (51) **LOC (7) Cl.** ..... **08-05**
- (52) **U.S. Cl.** ..... **D8/71**
- (58) **Field of Search** ..... D8/71, 14.1, 64,  
D8/66, 70, 72, 73, 74, 349, 354, 373; D6/467,  
469, 567, 574; D15/130, 132, 138, 139,  
140, 141; 33/474, 533, 613; 81/177.1, 437,  
177.4, 438, 439, 490; 82/161; 83/581, 760,  
762-764, 766; 142/48, 49, 55; 211/60.1,  
70.6, 71.01, 74, 65, 90.01; 248/80, 153,  
175, 176.1, 201, 304, 309.1, 312, 312.1,  
315, 316.8; 269/41, 42, 283

- 4,340,144 A 7/1982 Cousins
- 4,439,884 A 4/1984 Giorni
- 4,450,961 A 5/1984 Bies et al.
- 4,508,301 A 4/1985 Nicholson et al.
- 4,516,681 A 5/1985 Jahel
- D282,128 S \* 1/1986 Bell et al. .... D6/469
- 4,597,496 A 7/1986 Kaplan
- 4,632,256 A 12/1986 Gambello
- 4,750,623 A \* 6/1988 Flum ..... 211/74
- 4,771,897 A 9/1988 Ho
- 4,905,951 A 3/1990 Putness
- 4,936,565 A 6/1990 Fredrickson
- D313,550 S \* 1/1991 Lorincz ..... D8/373
- 5,005,710 A 4/1991 Hofer
- D323,089 S \* 1/1992 Koerbel ..... D6/574
- 5,201,430 A 4/1993 Artzer
- 5,224,609 A 7/1993 Bauer et al.
- 5,337,987 A 8/1994 Sawatsky
- 5,482,168 A 1/1996 Welch et al.
- 5,515,969 A 5/1996 Schonenbach
- 5,573,111 A 11/1996 Gordon et al.
- 5,704,495 A \* 1/1998 Bale et al. .... 211/71.01
- 5,706,936 A 1/1998 Bernstein
- 5,711,419 A 1/1998 Beales et al.
- 5,738,228 A 4/1998 Bittinger
- 5,855,274 A 1/1999 Piao

(List continued on next page.)

(56) **References Cited**  
U.S. PATENT DOCUMENTS

- 878,233 A \* 2/1908 Paulson ..... 211/74
- 1,056,237 A \* 3/1913 Waller ..... 211/74
- 1,958,772 A 5/1934 Stewart
- 1,992,857 A 2/1935 Breedlove
- 2,121,307 A 6/1938 Swift
- 2,533,355 A \* 12/1950 Comfort ..... 211/65
- 2,566,650 A \* 9/1951 Anderson ..... 211/65
- 2,785,919 A 3/1957 Grondzik
- 2,815,863 A \* 12/1957 Larson ..... 211/90.01
- 2,956,687 A 10/1960 Robichaud
- 2,995,256 A 8/1961 Schoenfisch
- 3,063,569 A 11/1962 Huber
- 3,269,550 A \* 8/1966 Marcus ..... 211/70.6
- 3,565,020 A 2/1971 Schier et al.
- 4,325,484 A 4/1982 Berry

*Primary Examiner*—Joel A. Sincavage  
*Assistant Examiner*—T. Chase Nelson  
(74) *Attorney, Agent, or Firm*—Duane Morris LLP

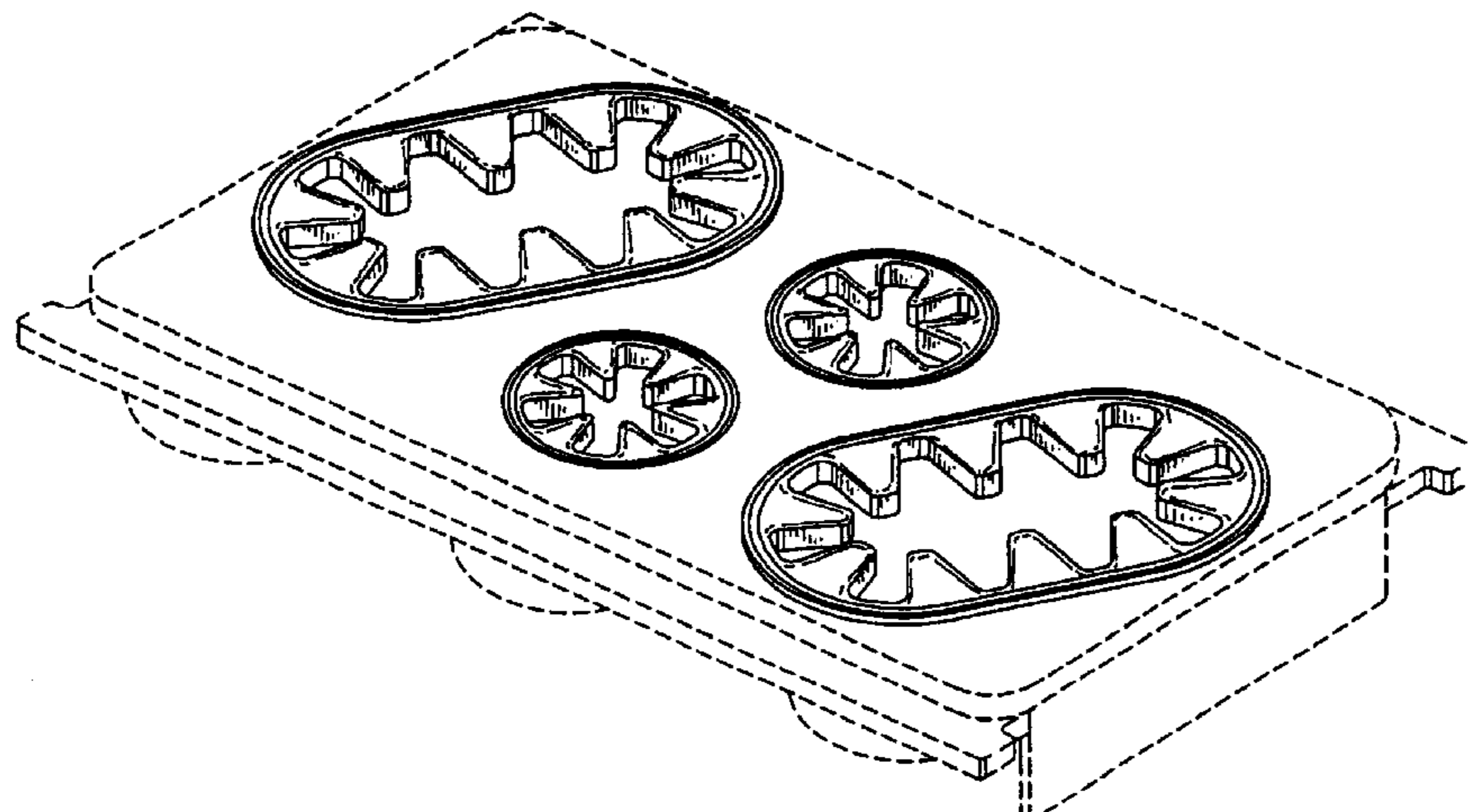
(57) **CLAIM**

The ornamental design for a tool holder, as shown and described.

**DESCRIPTION**

FIG. 1 is a perspective view of the tool holder according to the invention;  
FIG. 2 is a top view of the tool holder; and,  
FIG. 3 is a bottom view of the tool holder.  
The broken line showing of structure is for illustrative purposes only and forms no part of the claimed design.

**1 Claim, 2 Drawing Sheets**



# US D501,125 S

Page 2

---

## U.S. PATENT DOCUMENTS

5,909,936	A	6/1999	Daniels et al.			
5,915,307	A	6/1999	Tisbo et al.			
5,915,572	A	6/1999	Hancock			
5,970,663	A	10/1999	McDonough			
6,000,912	A	12/1999	Takada et al.			
6,019,331	A	2/2000	Hoogland et al.			
6,050,426	A	4/2000	Leurdijk			
6,070,747	A	6/2000	Shea			
D430,583	S	* 9/2000	Fang et al. ....	D15/139		
6,164,448	A	* 12/2000	Schmutz et al. ....	211/60.1		
6,250,466	B1	6/2001	Ernst			
6,273,255	B1	8/2001	Rosler			
6,273,277	B1	8/2001	Geldenhuis			
6,299,001	B1	10/2001	Frolov et al.			
6,450,338	B1	9/2002	Chen			
6,491,267	B1	12/2002	Feldman			
6,502,711	B1	* 1/2003	Mc Rae .....	220/23.4		
6,508,369	B2	* 1/2003	Wang .....	211/60.1		
6,533,133	B2	* 3/2003	Liu .....	211/74		
6,581,788	B1	* 6/2003	Winig et al. ....	211/90.01		
D481,920	S	* 11/2003	Winig et al. ....	D8/71		
D482,255	S	* 11/2003	Winig et al. ....	D8/71		

\* cited by examiner

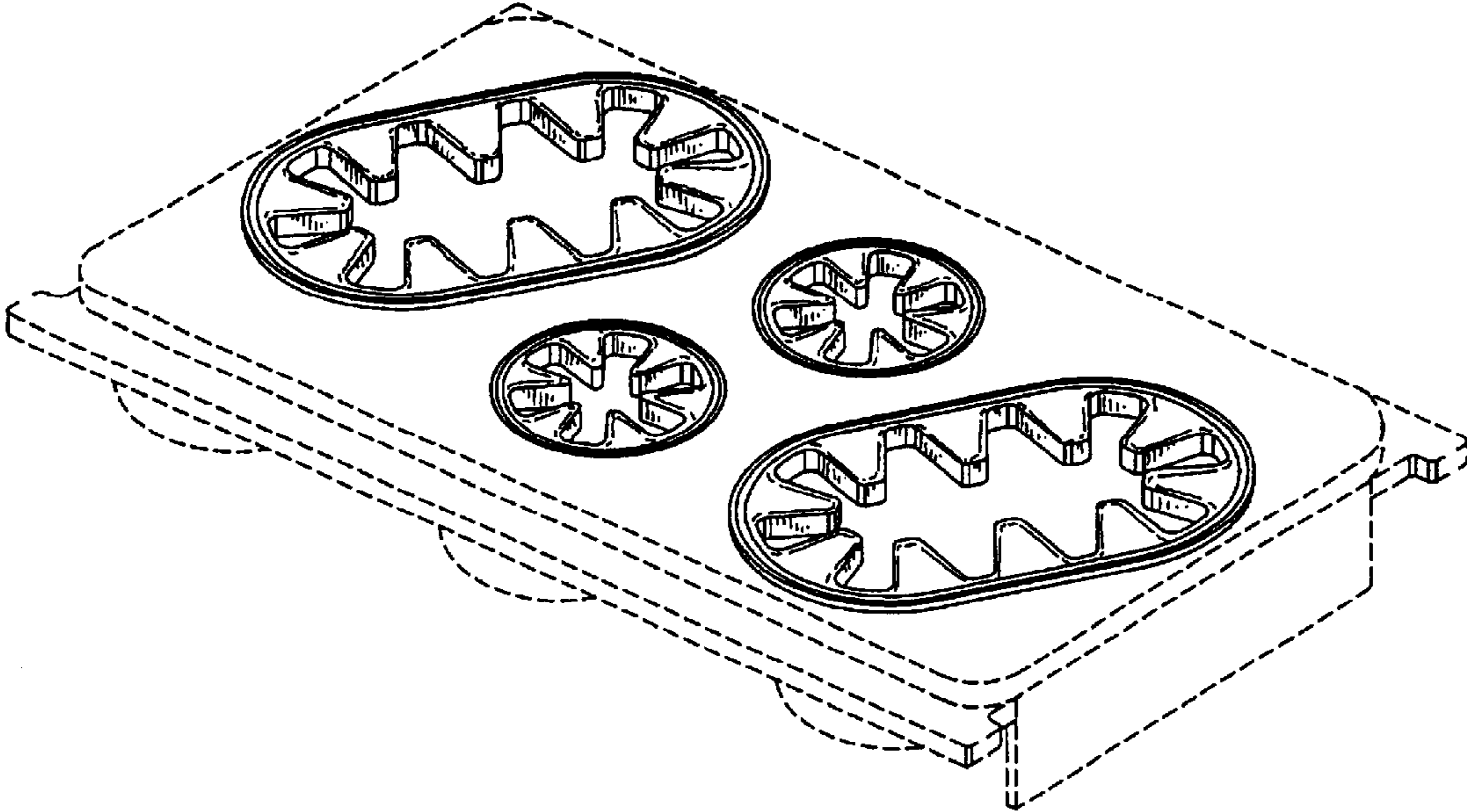


FIG. 1

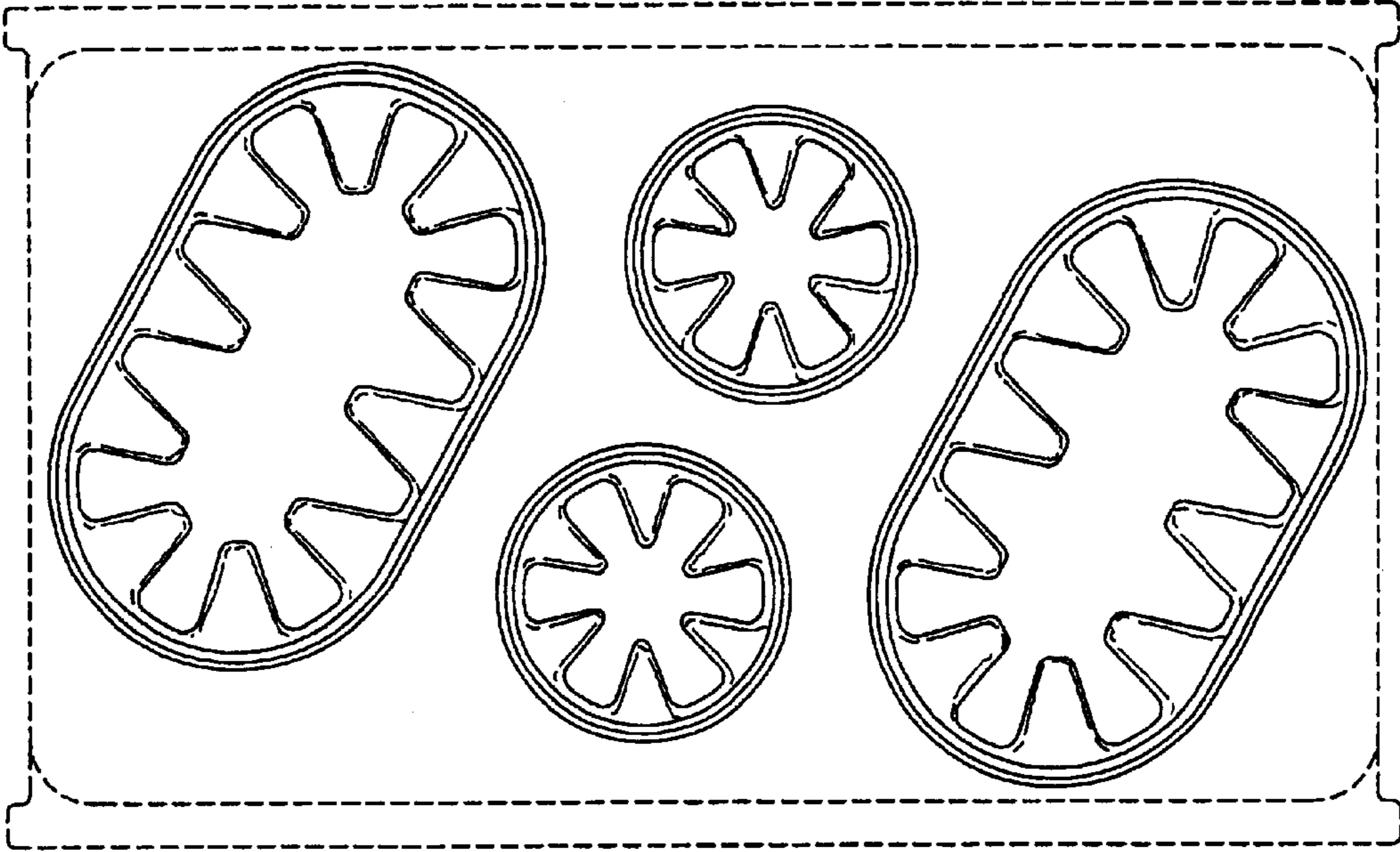


FIG. 2

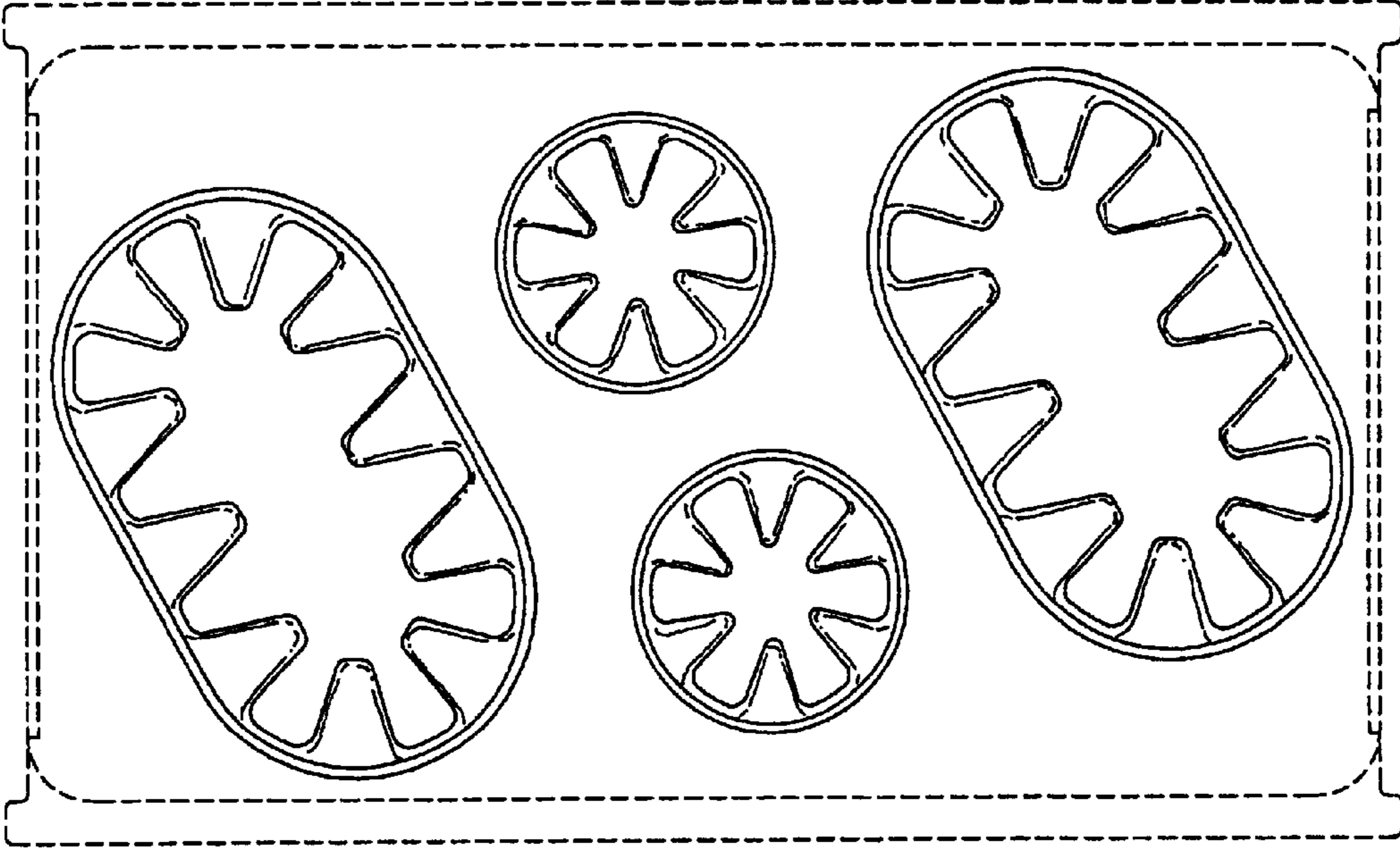


FIG. 3