

US00D501120S

(12) **United States Design Patent**  
**McGuyer**

(10) **Patent No.: US D501,120 S**  
(45) **Date of Patent: \*\* Jan. 25, 2005**

(54) **STORAGE UNIT FOR MULTI-TOOL  
KITCHEN DEVICE**

(75) Inventor: **Carter W. McGuyer**, Muscle Shoals,  
AL (US)

(73) Assignee: **Robbins Industries, Inc.**, Florence, AL  
(US)

(\*\*) Term: **14 Years**

(21) Appl. No.: **29/205,759**

(22) Filed: **May 20, 2004**

**Related U.S. Application Data**

(62) Division of application No. 29/170,161, filed on Nov. 1,  
2002, now Pat. No. Des. 492,548.

(51) **LOC (7) Cl.** ..... **07-06**

(52) **U.S. Cl.** ..... **D7/637**

(58) **Field of Search** ..... D7/637-641; 206/557-567;  
211/13.1, 70.7, 71.01, 88.01, 126.1, 126.7

(56) **References Cited**

**U.S. PATENT DOCUMENTS**

1,577,880 A	3/1926	Stuart
D172,235 S	5/1954	Marino
3,135,383 A	6/1964	Bloch
D211,899 S	8/1968	Kriegel
3,490,601 A	1/1970	Richard, Sr. et al.
D221,291 S	7/1971	Futter et al.
3,839,793 A	10/1974	Crapio
4,207,673 A	6/1980	DiGirolamo et al.

4,247,216 A	1/1981	Pansini
4,425,709 A	1/1984	Quenzi
4,432,137 A	2/1984	Okada
4,941,232 A	7/1990	Decker et al.
4,953,862 A	9/1990	Uke et al.
5,409,560 A	4/1995	Hammer et al.
5,441,152 A	8/1995	Estes
5,479,708 A	1/1996	Thomas
5,535,484 A	7/1996	Gibson
5,598,634 A	2/1997	Berns
5,737,803 A	4/1998	Tisdale
5,752,968 A	5/1998	Jolly et al.
5,829,099 A	11/1998	Kopelman et al.
5,933,918 A	8/1999	Wallays
D420,887 S	2/2000	Chen
6,115,921 A	9/2000	Garneau, Sr.
RE37,190 E	5/2001	Stowell et al.

*Primary Examiner*—Terry A. Wallace

(74) *Attorney, Agent, or Firm*—Kramer Levin Naftalis &  
Frankel LLP; Gregor N. Neff

(57) **CLAIM**

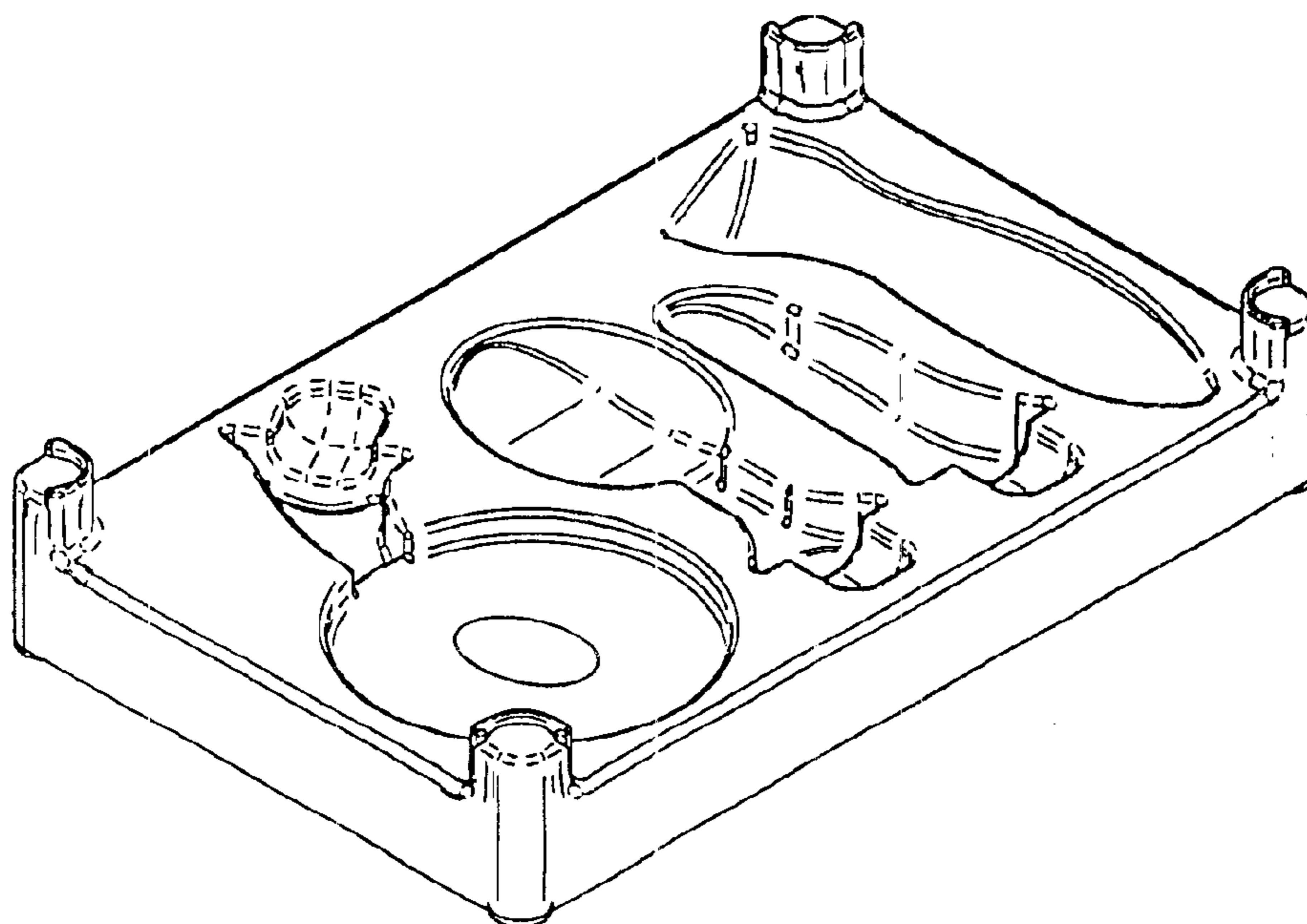
The ornamental design for a storage unit for multi-tool  
kitchen device, as shown and described.

**DESCRIPTION**

FIGS. 1, 2, 3 and 4 are, respectively, a perspective view; a  
top plan view; a left side elevation view; and a front  
elevation view of the storage unit for multi-tool kitchen  
device.

The broken lines are for illustrative purposes only and form  
no part of the claimed design.

**1 Claim, 1 Drawing Sheet**



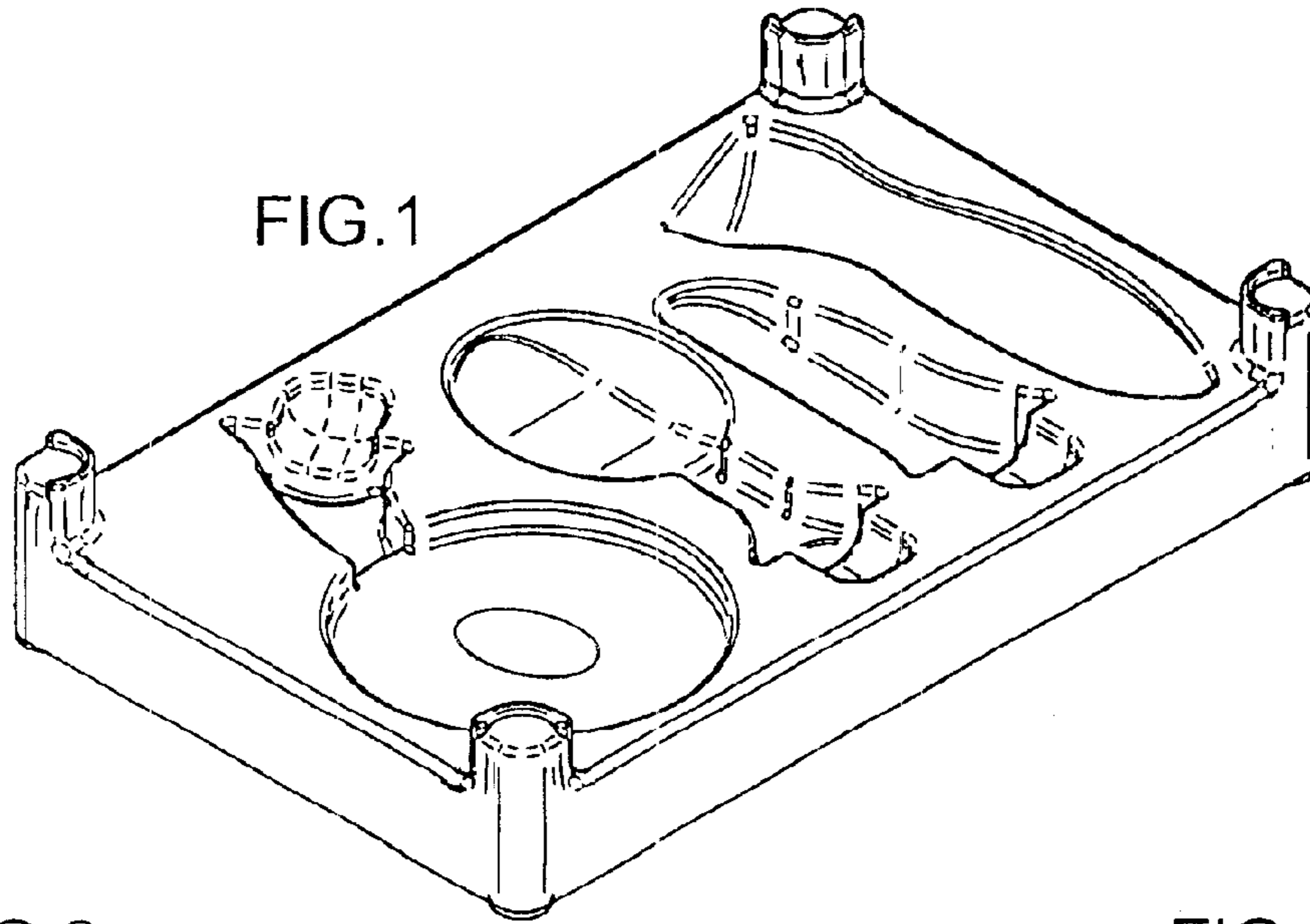


FIG.3

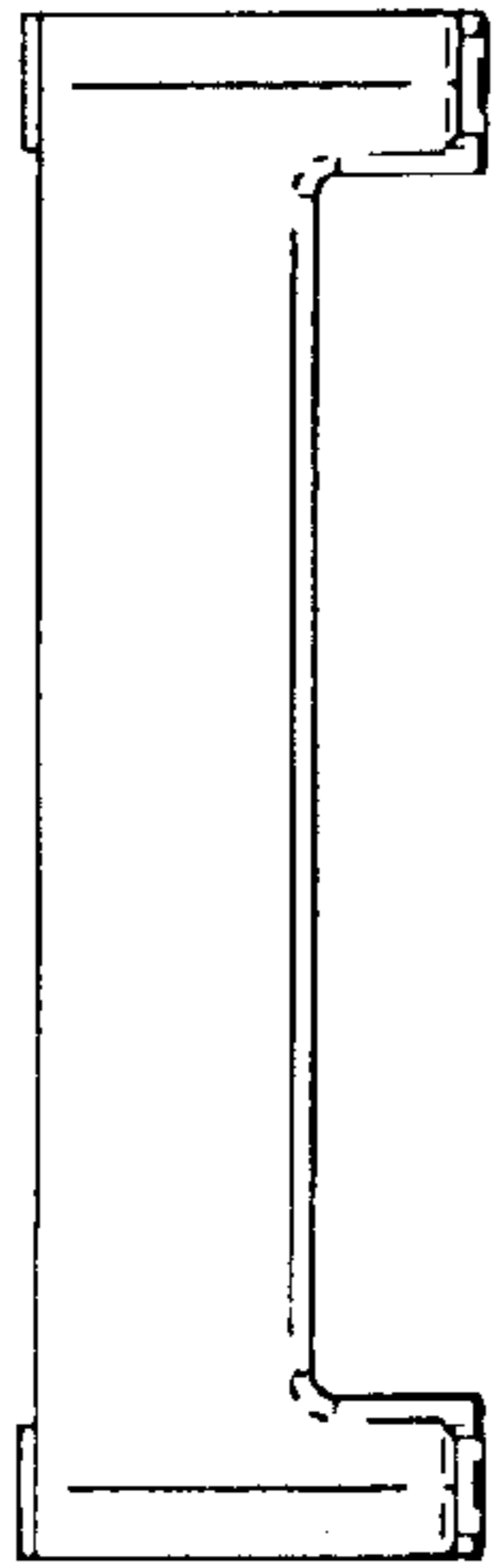


FIG.2

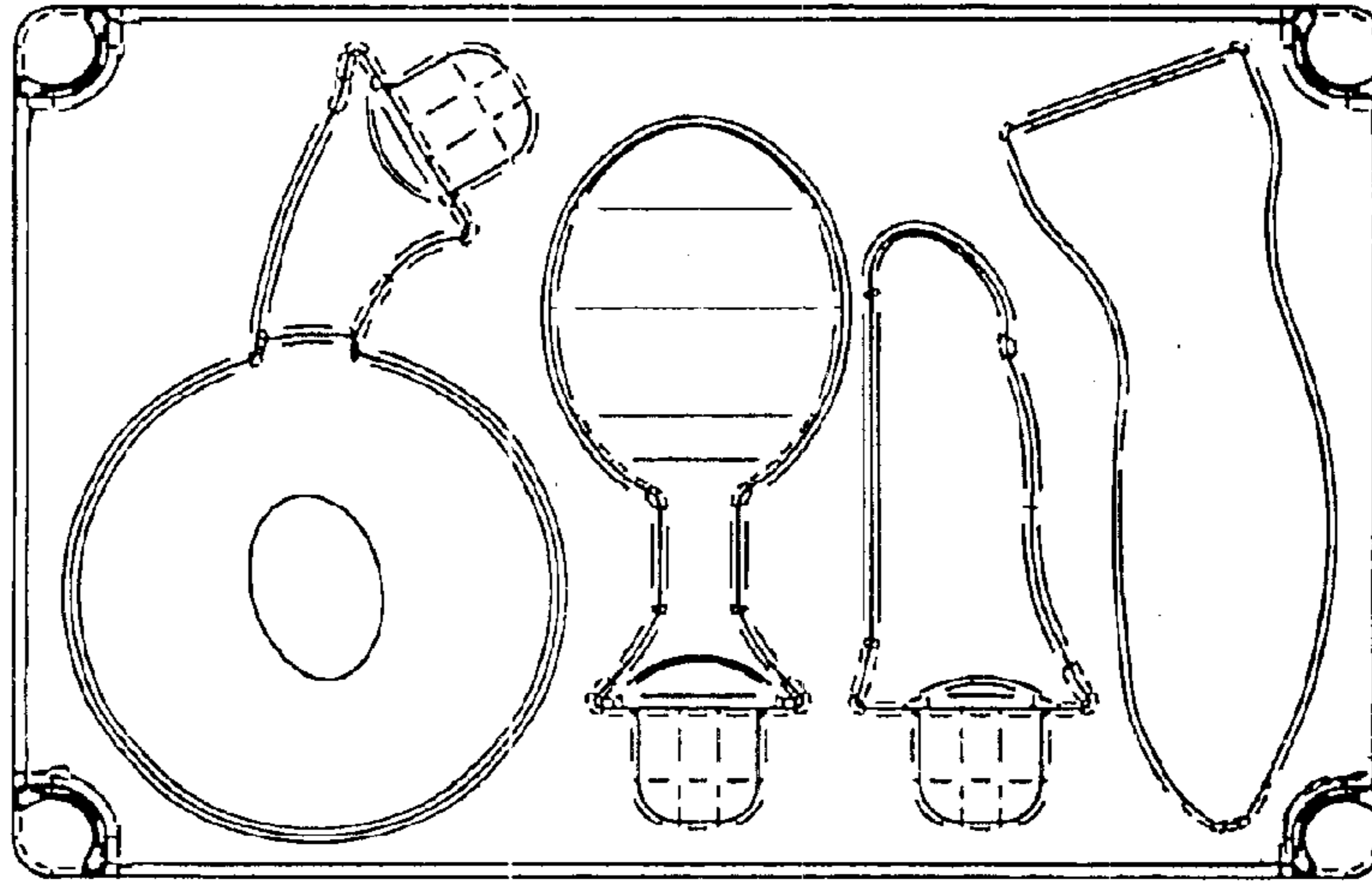


FIG.4

