

US00D501118S

(12) **United States Design Patent**
Schrock

(10) **Patent No.:** **US D501,118 S**
(45) **Date of Patent:** **** Jan. 25, 2005**

- (54) **CUPHOLDER CONVERTER**
- (76) **Inventor:** **Michael L. Schrock**, 500 S. Jefferson St., Greenup, IL (US) 62428
- (**) **Term:** **14 Years**
- (21) **Appl. No.:** **29/191,163**
- (22) **Filed:** **Oct. 2, 2003**
- (51) **LOC (7) Cl.** **07-06**
- (52) **U.S. Cl.** **D7/619.1; D7/624.2; D12/415; D12/419**
- (58) **Field of Search** **D7/619.1-625, D7/509, 523, 533, 605; D12/415-419; 62/457.1-457.9, 371; 229/400-405; 220/737, 739, 903; 215/392-396; 248/346.11, 311.2; 296/37.1-37.16; 224/400-412, 483**

6,099,062 A	8/2000	Siegel	296/37.12
6,357,253 B1 *	3/2002	Condy	62/457.8
6,396,925 B1	5/2002	Close	379/446

* cited by examiner

Primary Examiner—Terry A. Wallace
(74) *Attorney, Agent, or Firm*—Philip L. Bateman

(57) **CLAIM**

The ornamental design for a cupholder converter, as shown and described.

DESCRIPTION

FIG. 1 is a top and front perspective view of a cupholder converter showing my new design; FIG. 2 is a top plan view thereof; FIG. 3 is a front elevation view thereof; FIG. 4 is a bottom plan view thereof; and, FIG. 5 is a right side elevation view thereof. The rear elevation view is identical to the front elevation view. The left side elevation view is identical to the right side elevation view.

(56) **References Cited**

U.S. PATENT DOCUMENTS

5,180,088 A *	1/1993	de Angeli	220/737
5,222,656 A *	6/1993	Carlson	229/403
5,467,891 A *	11/1995	Perry	220/739

1 Claim, 3 Drawing Sheets

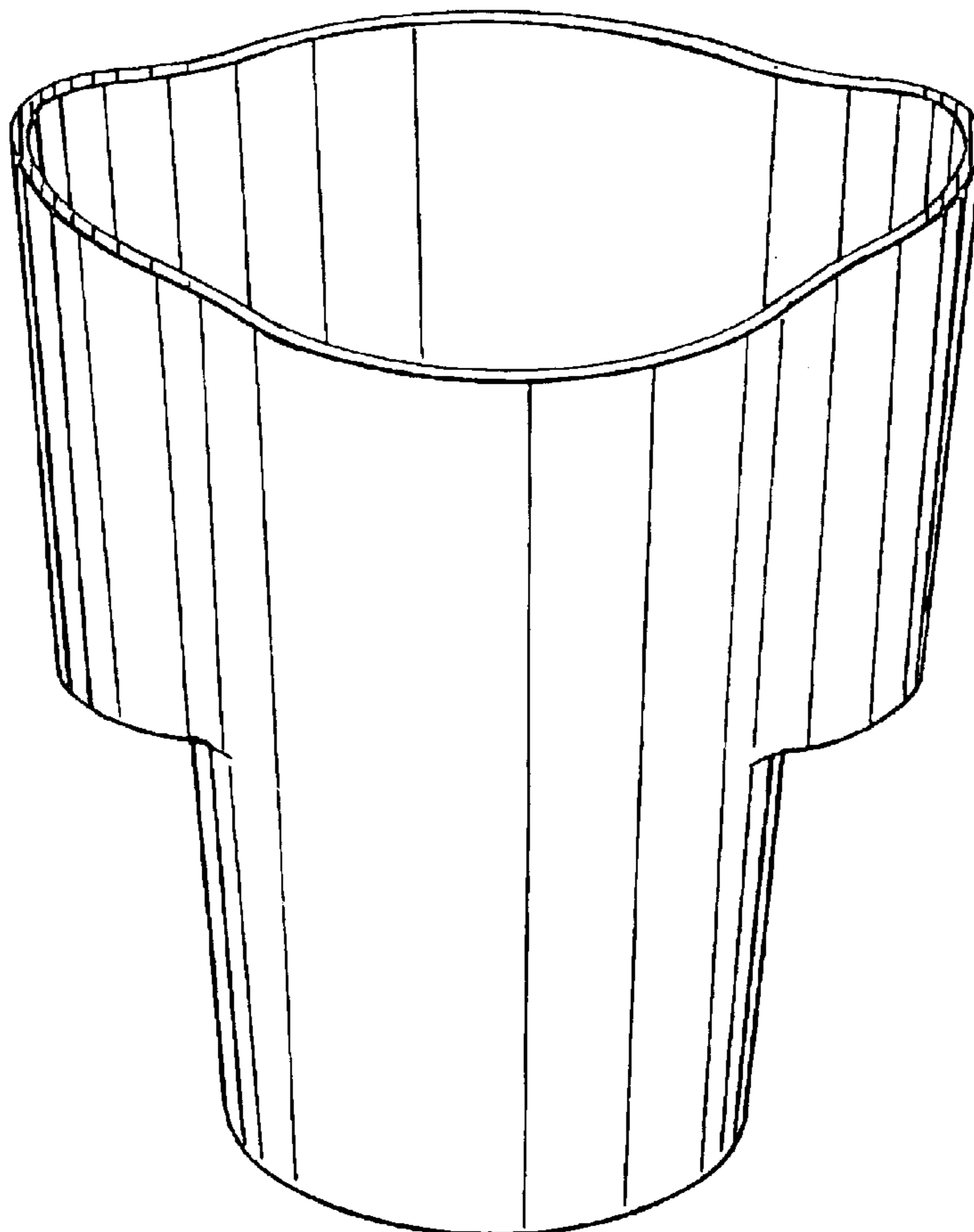


FIG. 1

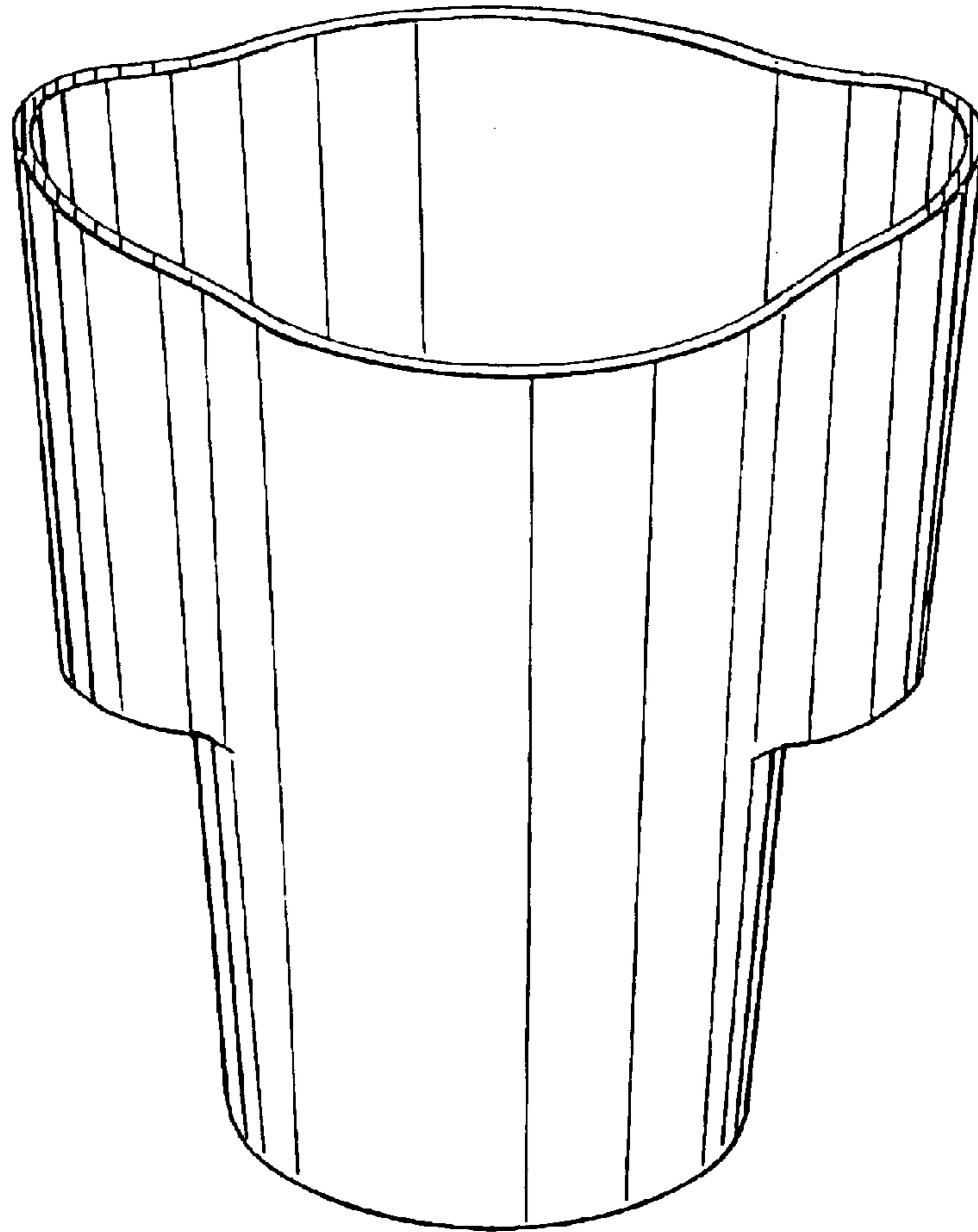


FIG. 2

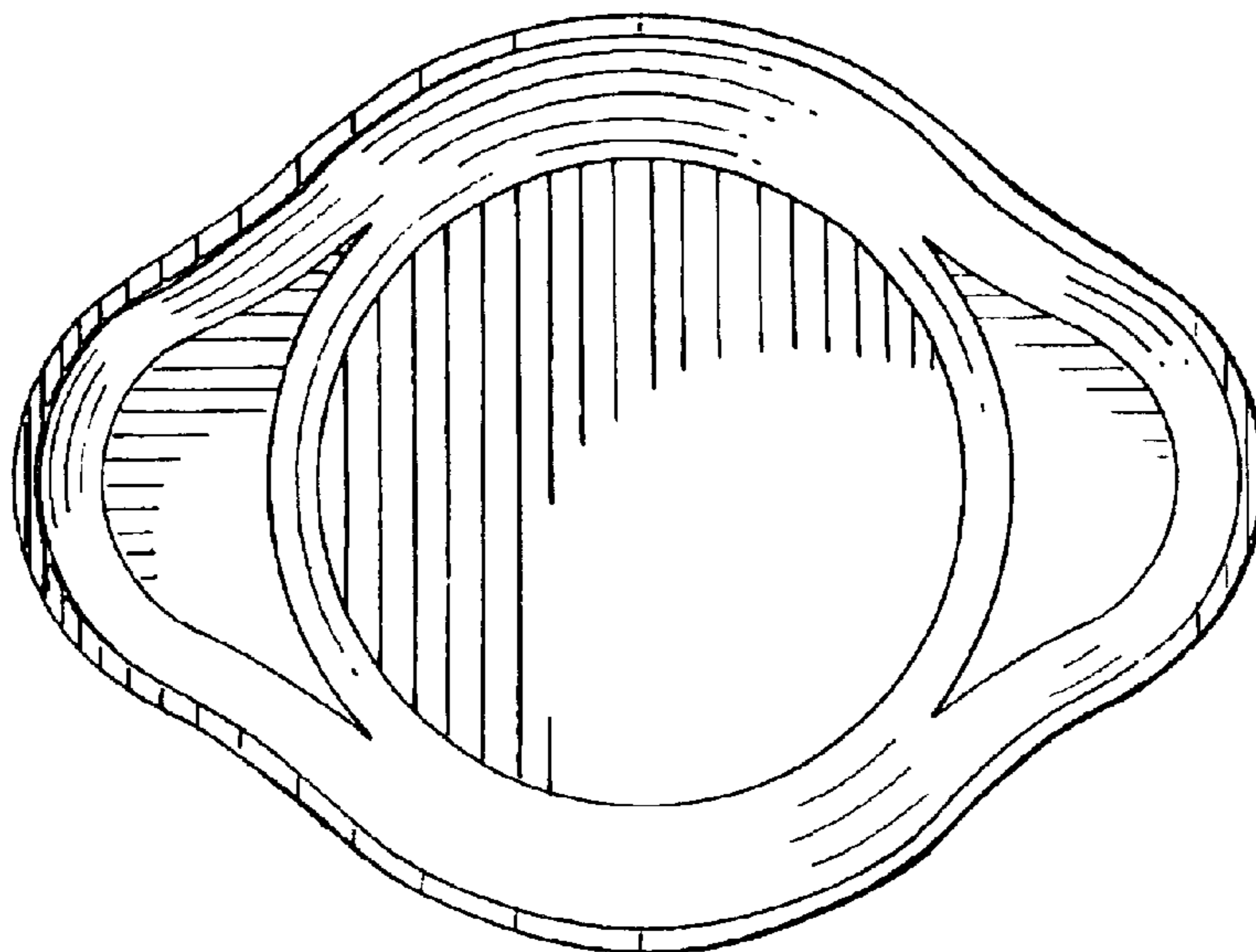


FIG. 3

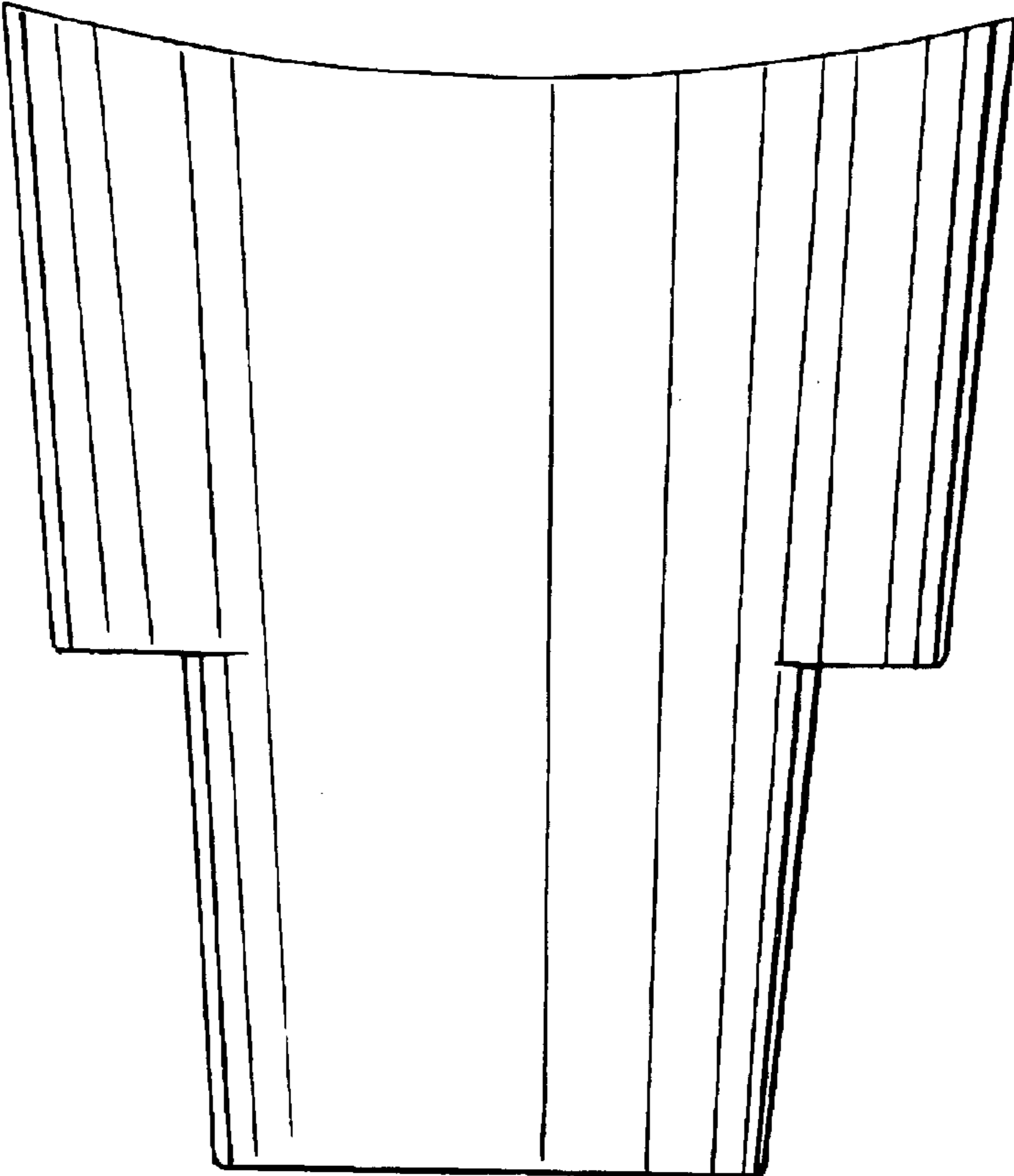


FIG. 4

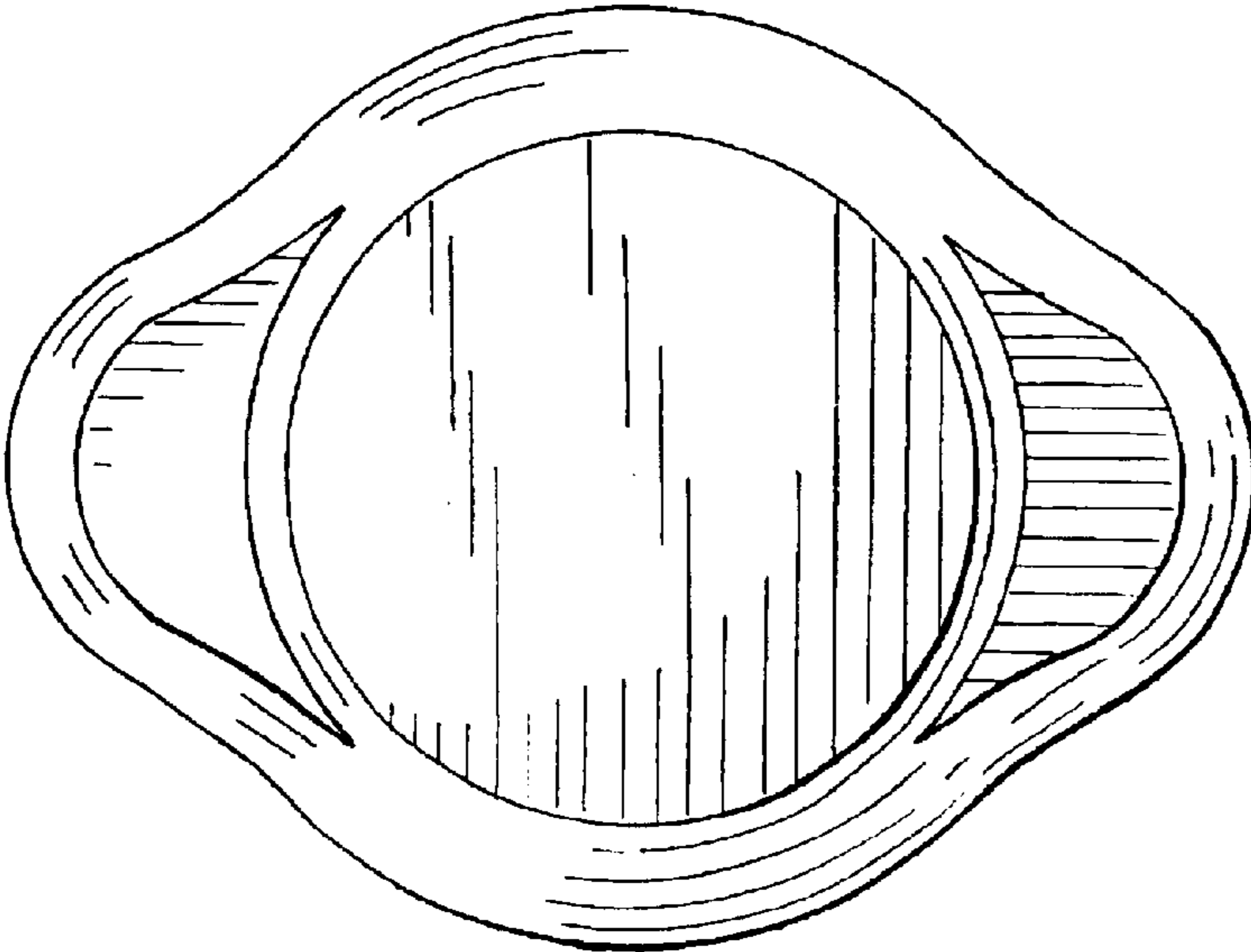


FIG. 5

