



US00D501117S

(12) **United States Design Patent**
Bassill

(10) **Patent No.:** **US D501,117 S**
(45) **Date of Patent:** **** Jan. 25, 2005**

(54) **INDUCTION RANGE**

(76) **Inventor:** **Nicholas L. Bassill**, 4980 Latigo Canyon, Malibu, CA (US) 90265

(**) **Term:** **14 Years**

(21) **Appl. No.:** **29/177,864**

(22) **Filed:** **Mar. 17, 2003**

(51) **LOC (7) Cl.** **07-02**

(52) **U.S. Cl.** **D7/367**

(58) **Field of Search** D7/362-367, 402-403;
219/443.1, 446, 447.1, 450, 451.1, 465.1,
468.1, 520; 99/422

(56) **References Cited**

U.S. PATENT DOCUMENTS

D236,183 S	*	8/1975	Greger	D7/363
D261,849 S	*	11/1981	Funaki et al.	D7/367
D285,523 S	*	9/1986	Ayukawa et al.	D7/367
D289,130 S	*	4/1987	Rengeji et al.	D7/363
D289,847 S	*	5/1987	Okamoto et al.	D7/363
D296,509 S	*	7/1988	Fuke	D7/363
6,087,637 A	*	7/2000	Fischer et al.	219/465.1
D438,423 S	*	3/2001	Bassill et al.	D7/367

* cited by examiner

Primary Examiner—Ruth McInroy

(74) *Attorney, Agent, or Firm*—MacPherson Kwok Chen & Heid LLP; Norman E. Carte

(57) **CLAIM**

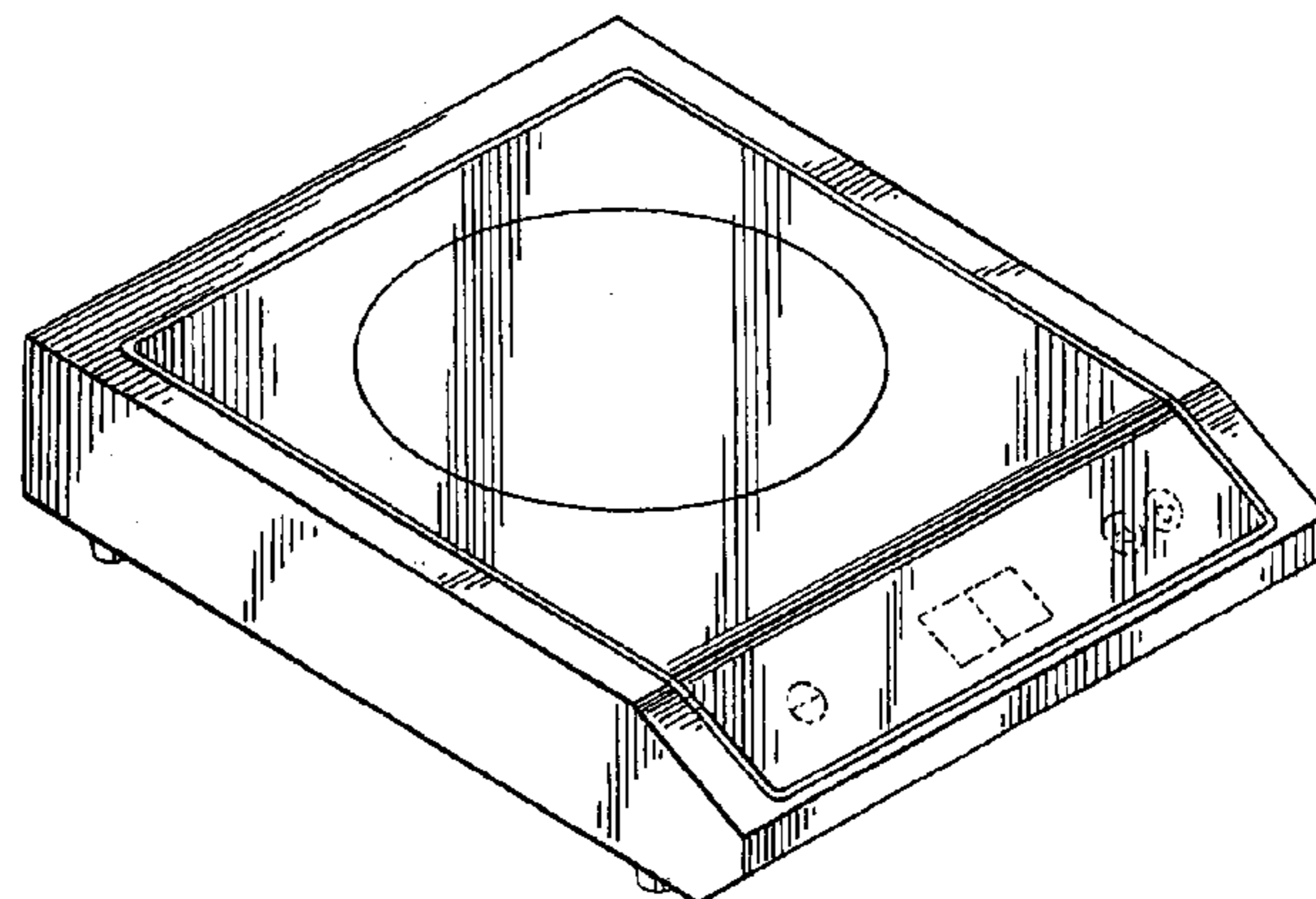
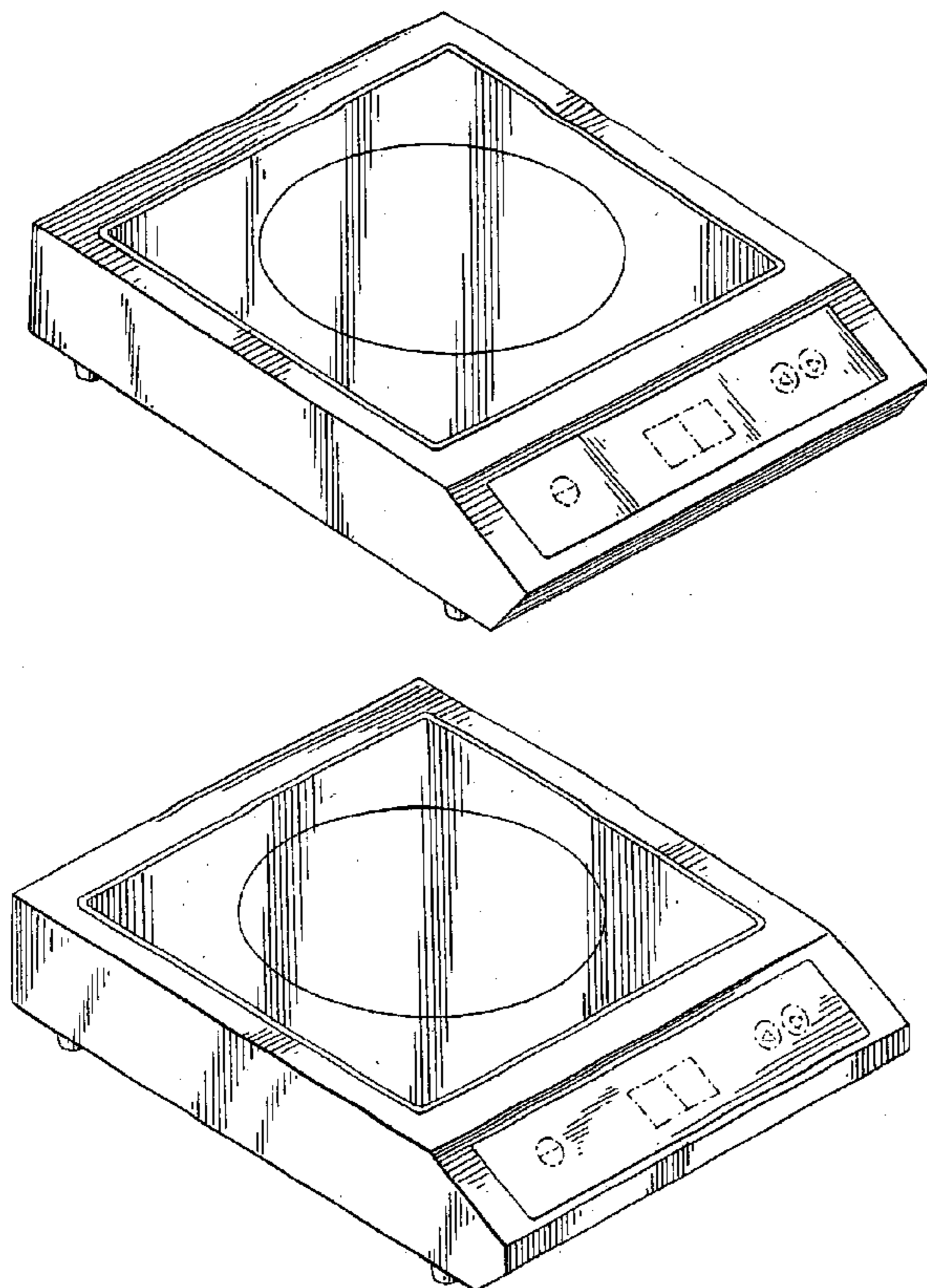
I claim the ornamental design for an induction range, as shown and described.

DESCRIPTION

FIG. 1 is a top, front and right side perspective view of an induction range showing my new design;
 FIG. 2 is a left side elevational view thereof;
 FIG. 3 is a right side elevational view thereof;
 FIG. 4 is a top plan view thereof;
 FIG. 5 is a front elevational view thereof;
 FIG. 6 is a bottom plan view thereof;
 FIG. 7 is a rear elevational view thereof;
 FIG. 8 is a top, front and right side perspective view of a second embodiment thereof;
 FIG. 9 is a left side elevational view of FIG. 8;
 FIG. 10 is a right side elevational view of FIG. 8;
 FIG. 11 is a top plan view of FIG. 8;
 FIG. 12 is a front elevational view of FIG. 8;
 FIG. 13 is a bottom plan view of FIG. 8;
 FIG. 14 is a rear elevational view of FIG. 8;
 FIG. 15 is a top, front and right side perspective view of a third embodiment thereof; and,
 FIG. 16 is a top, front and right side perspective view of a fourth embodiment thereof.

The controls shown in broken lines in FIGS. 1, 8, 15 and 16, form no part of the claimed design.

1 Claim, 7 Drawing Sheets



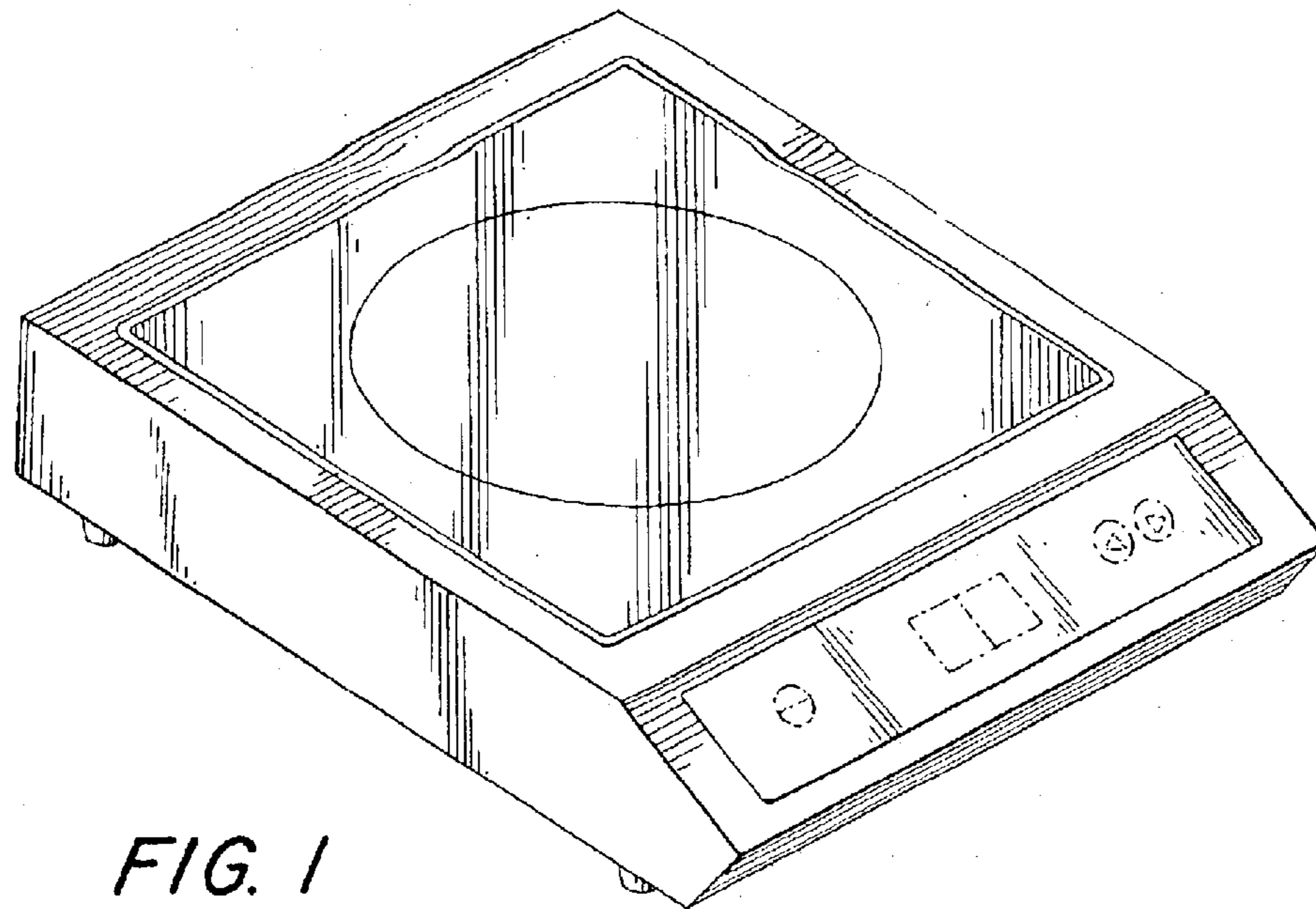


FIG. 1

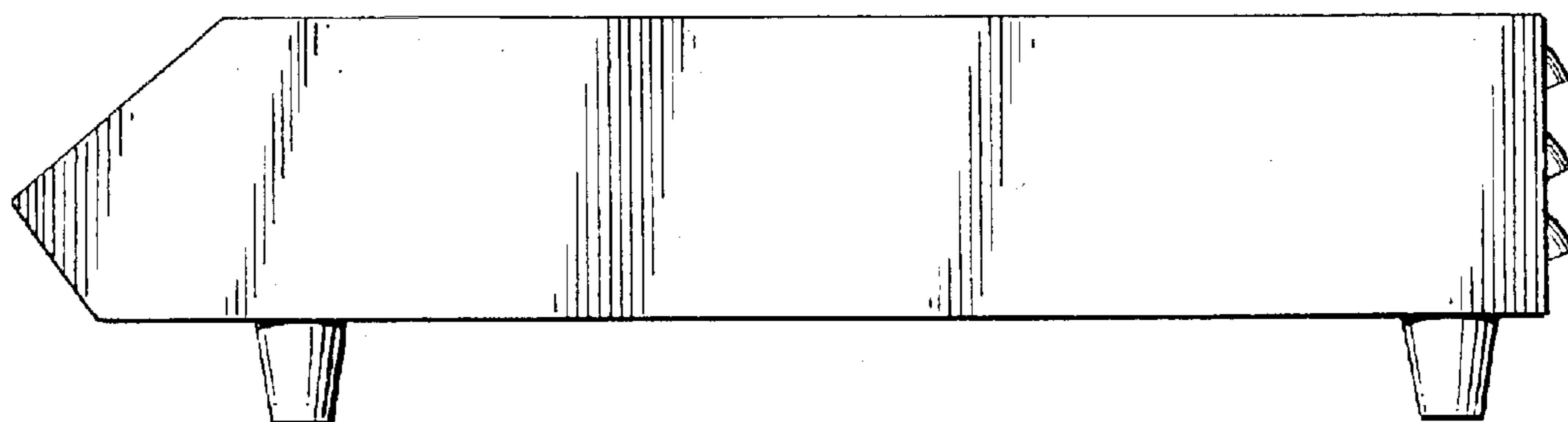


FIG. 2

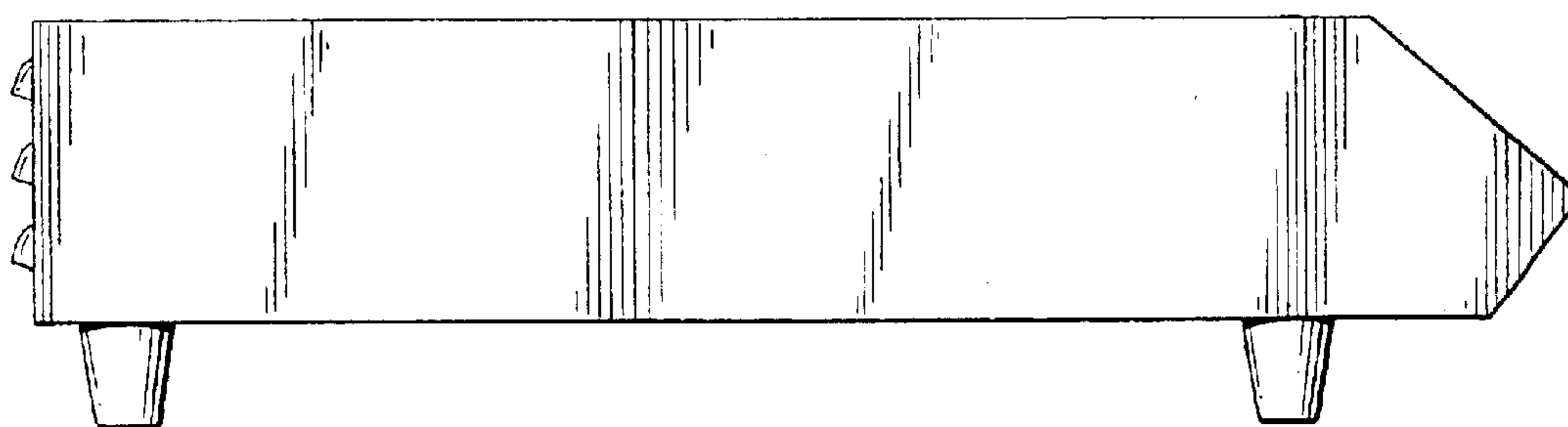


FIG. 3

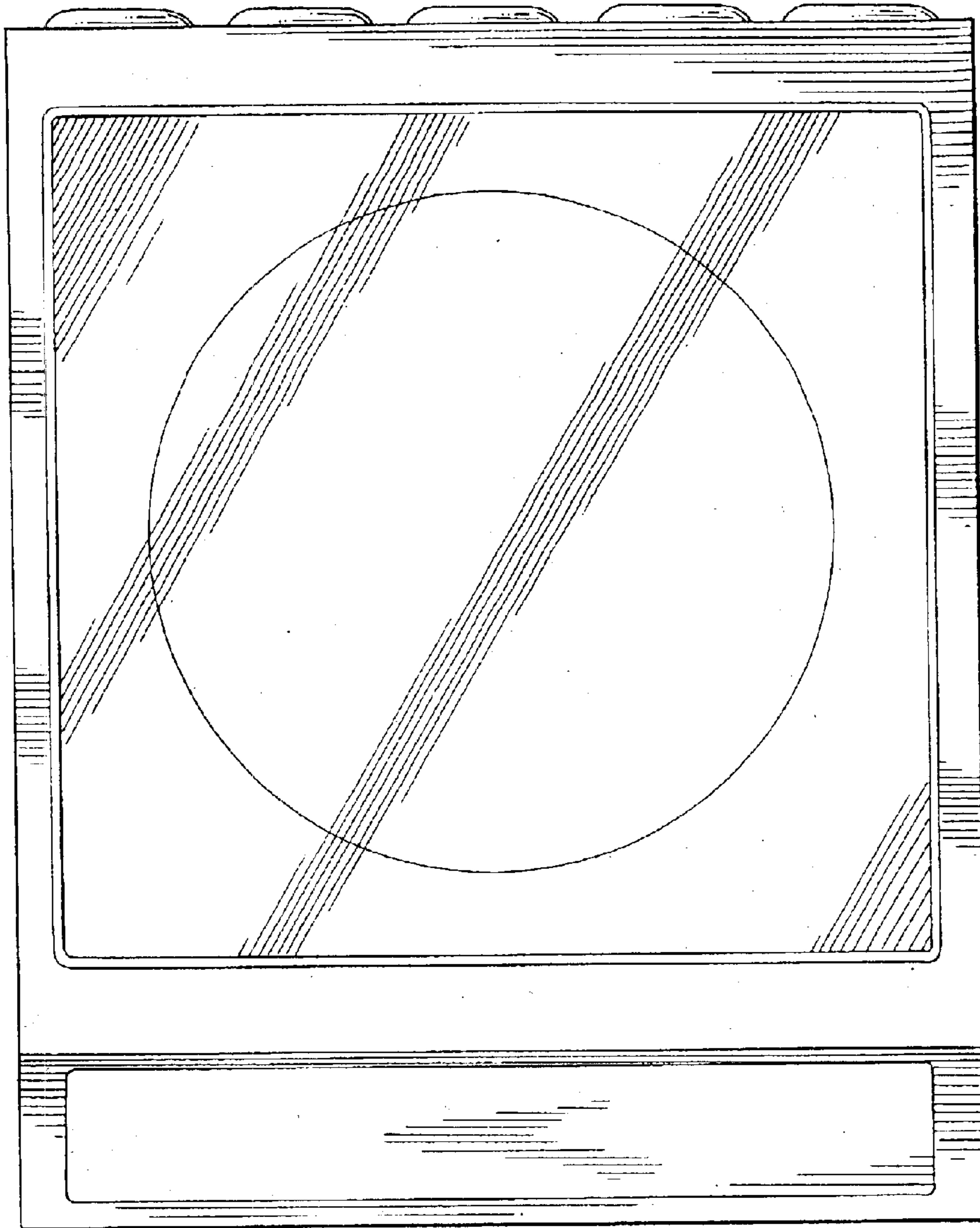


FIG. 4

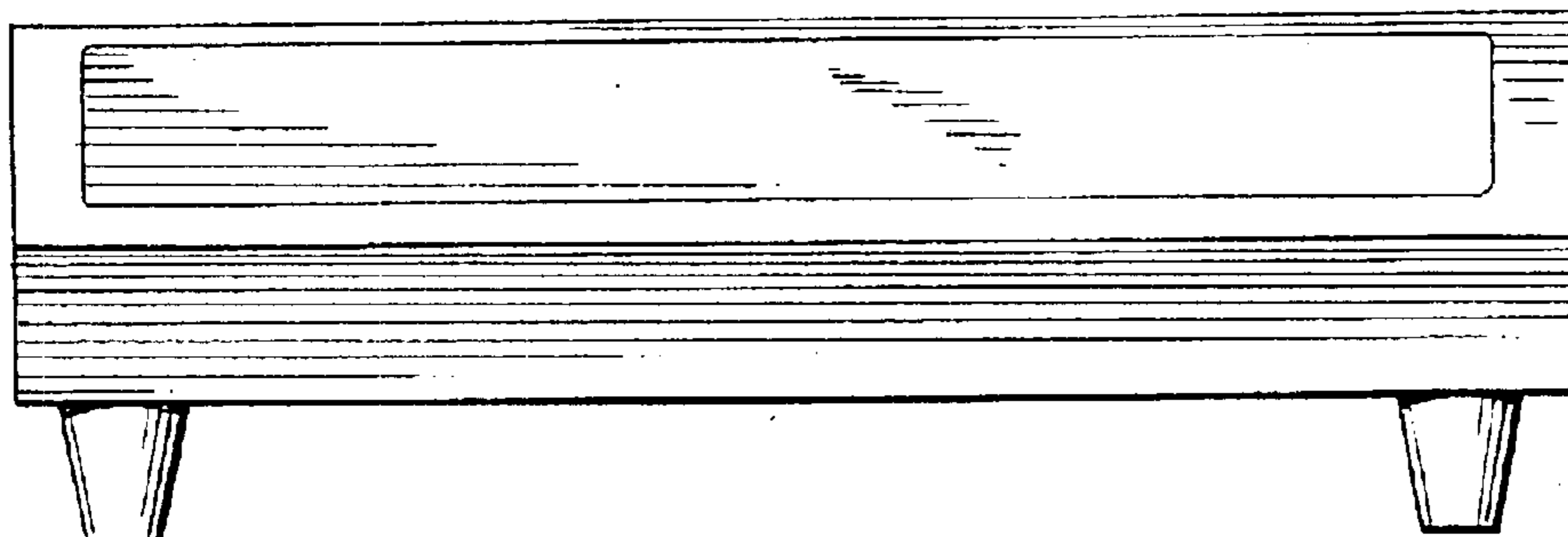


FIG. 5

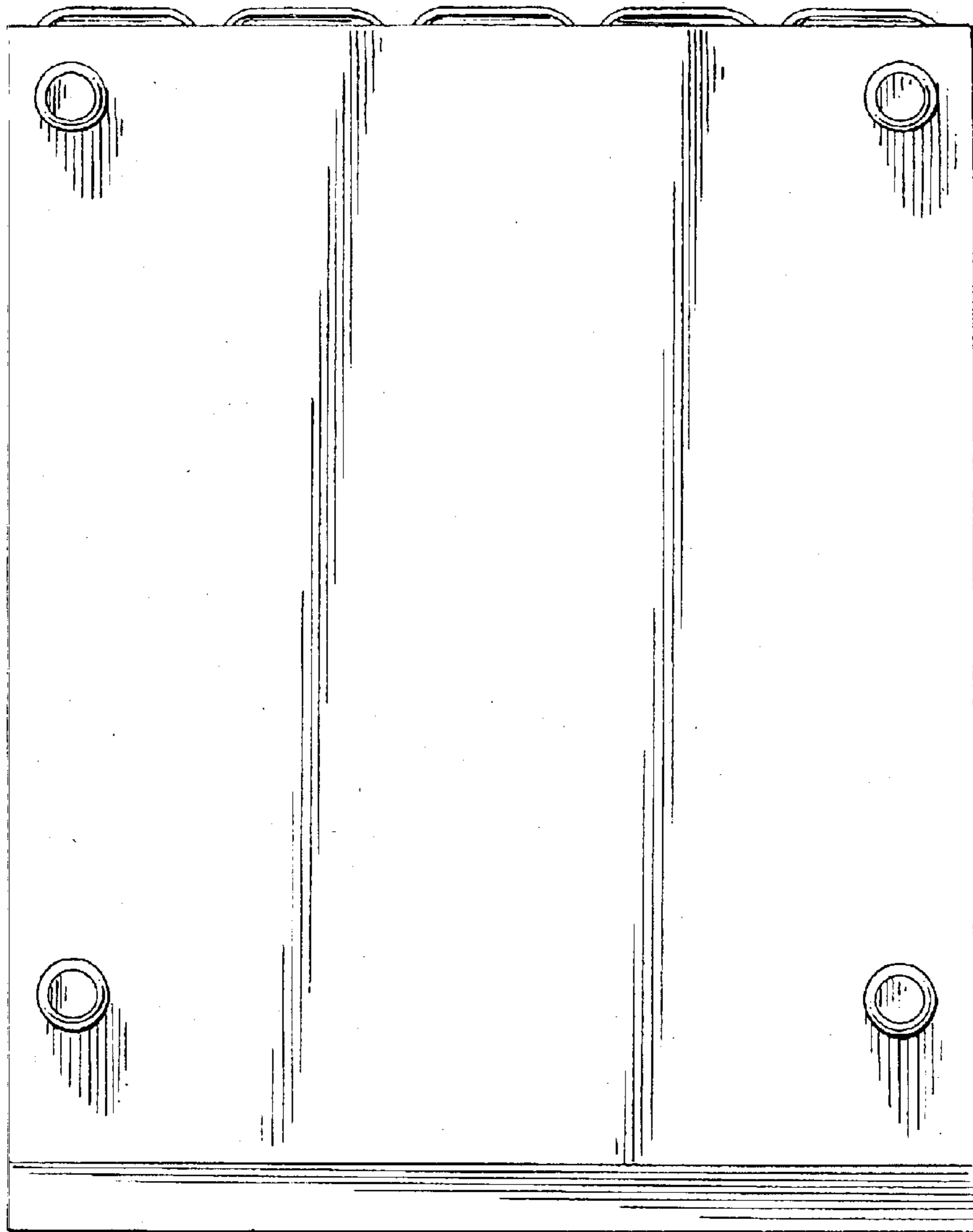


FIG. 6

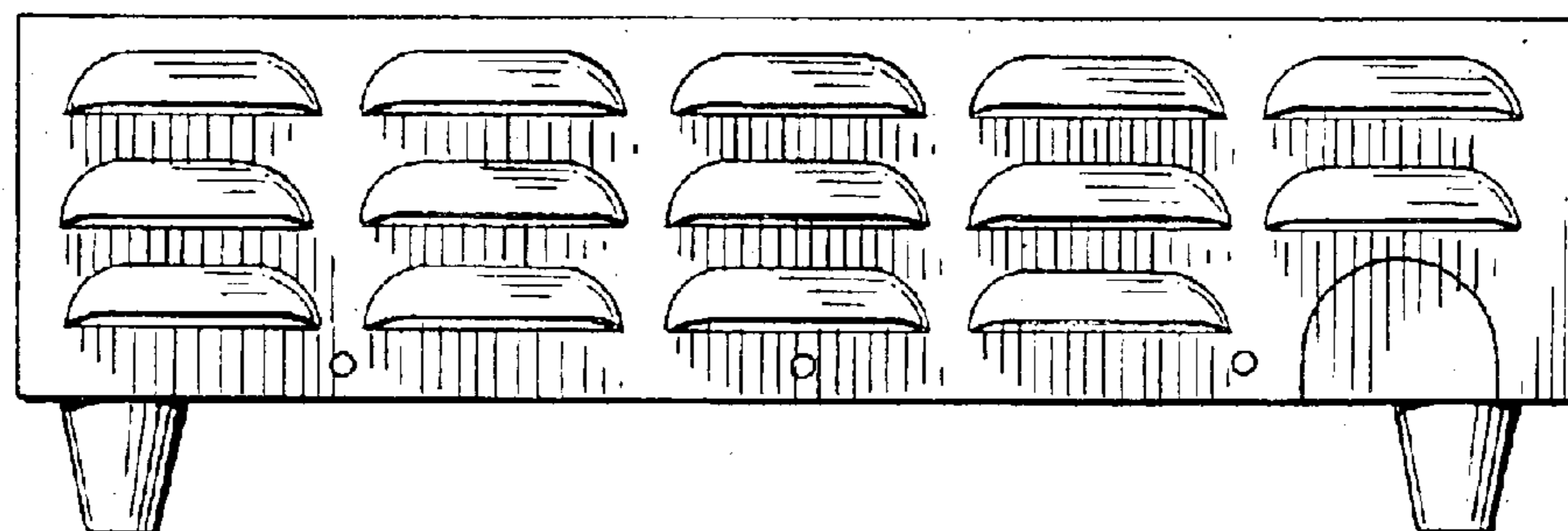


FIG. 7

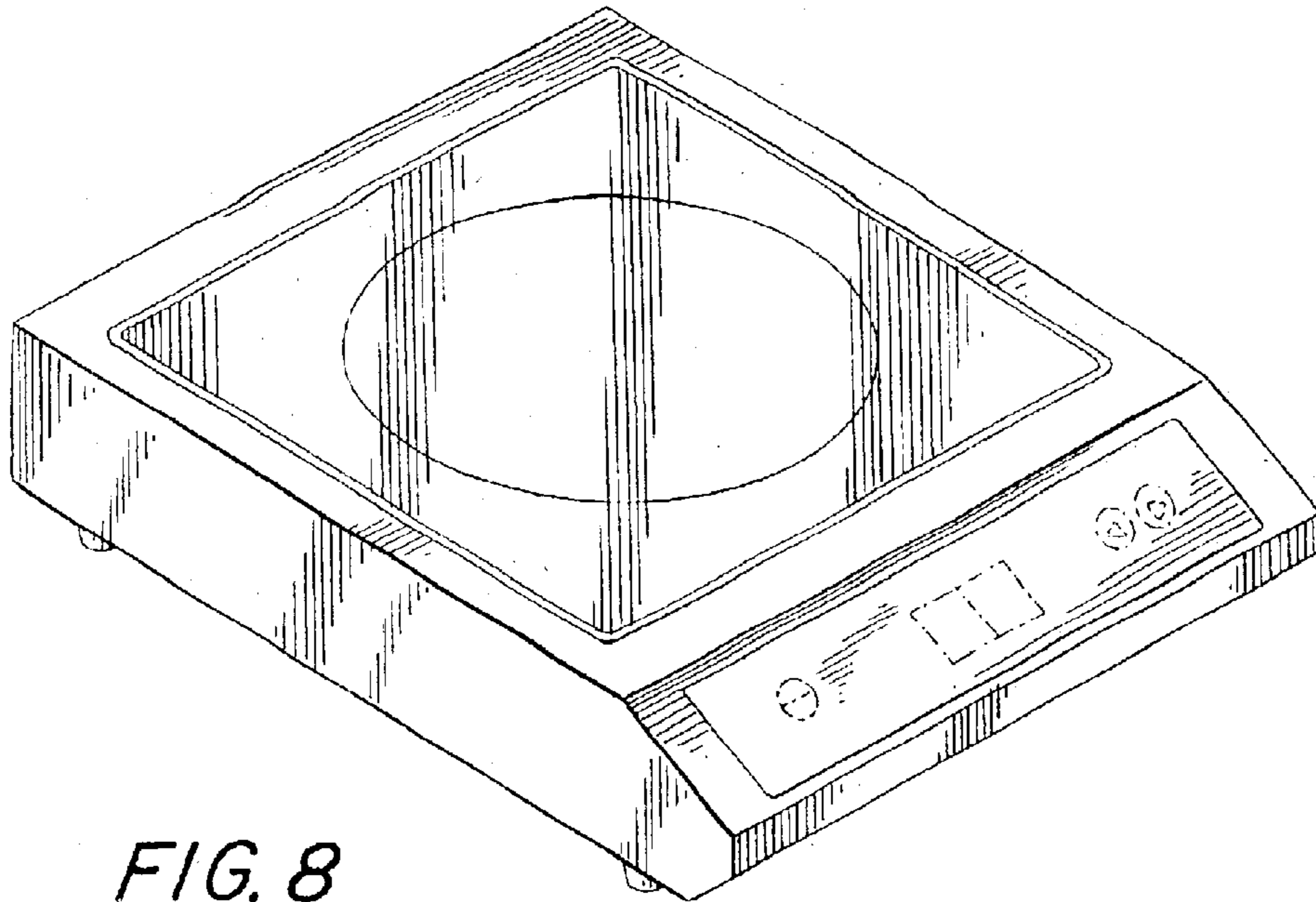


FIG. 8

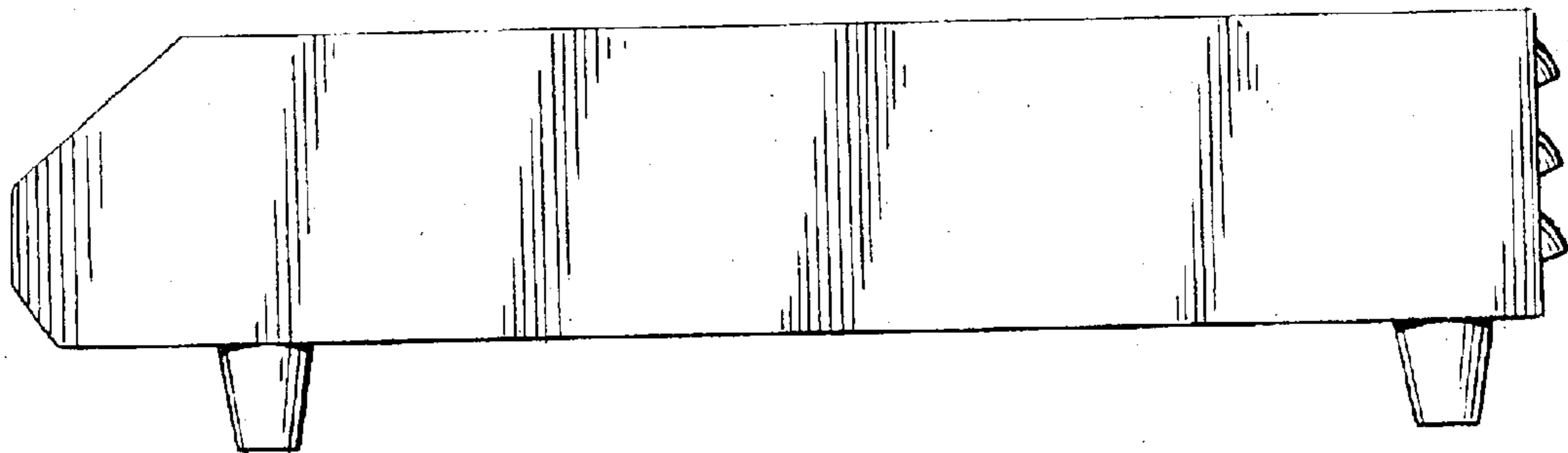


FIG. 9

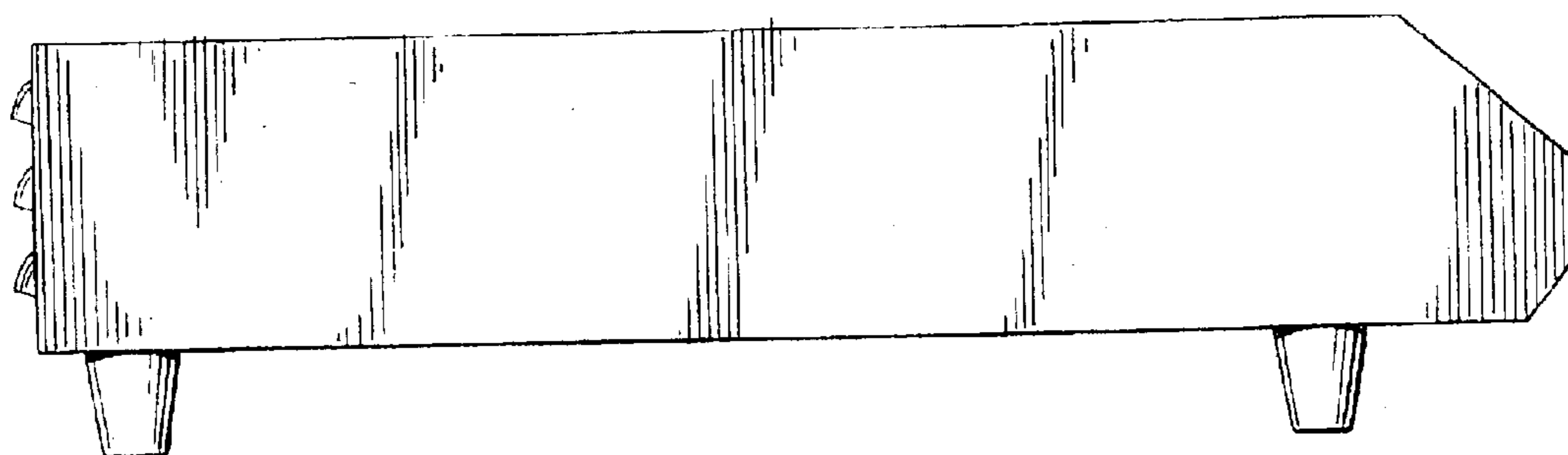


FIG. 10

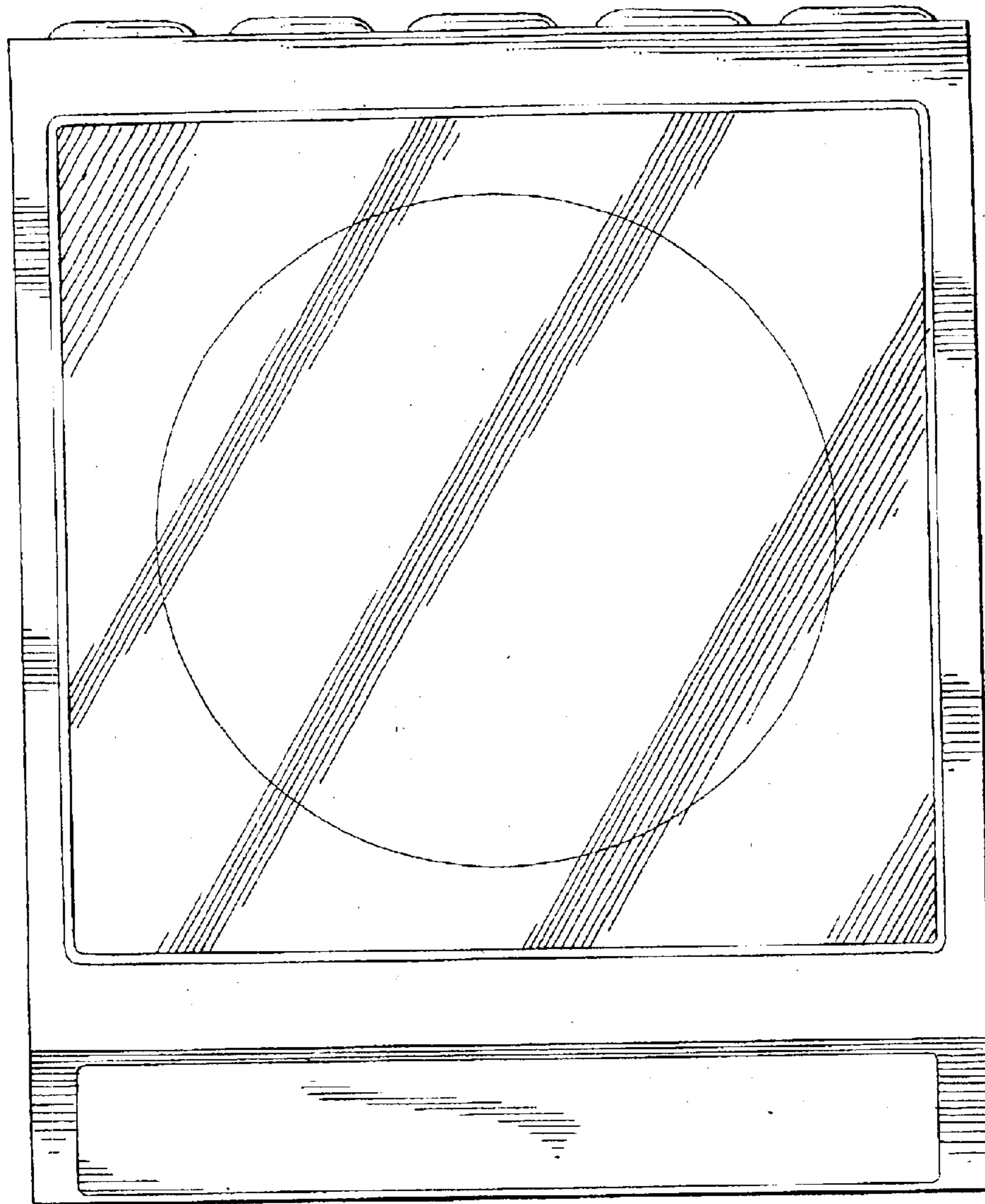


FIG. 11

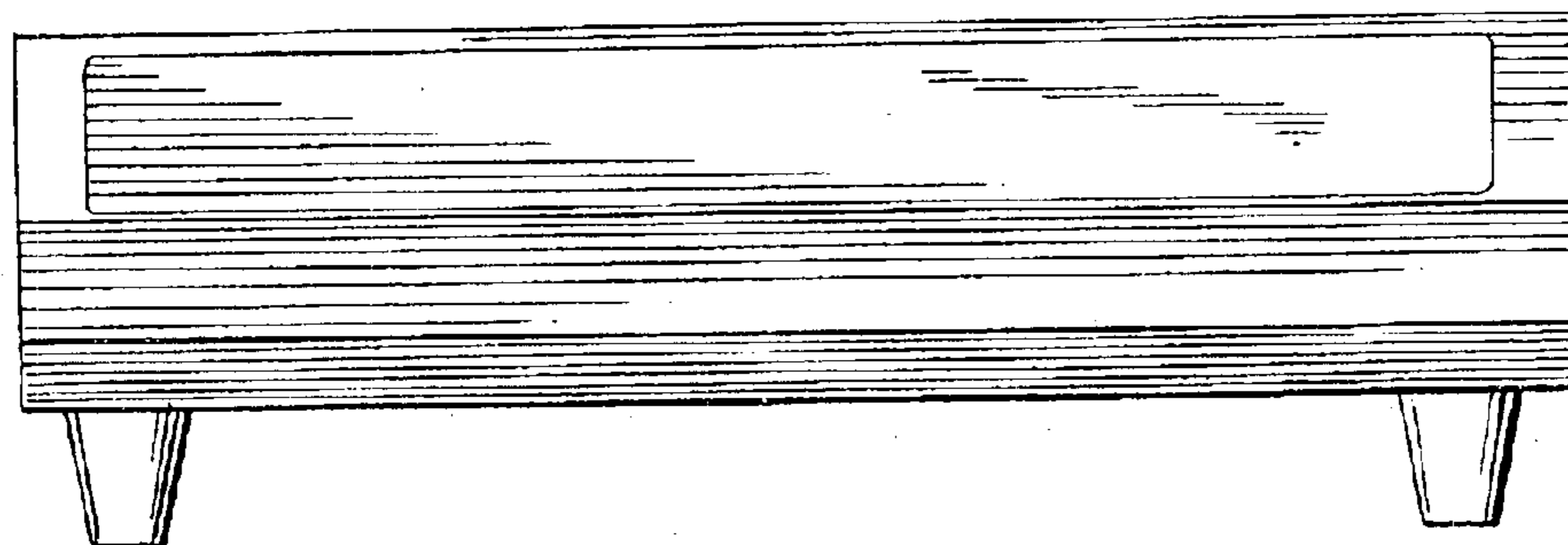


FIG. 12

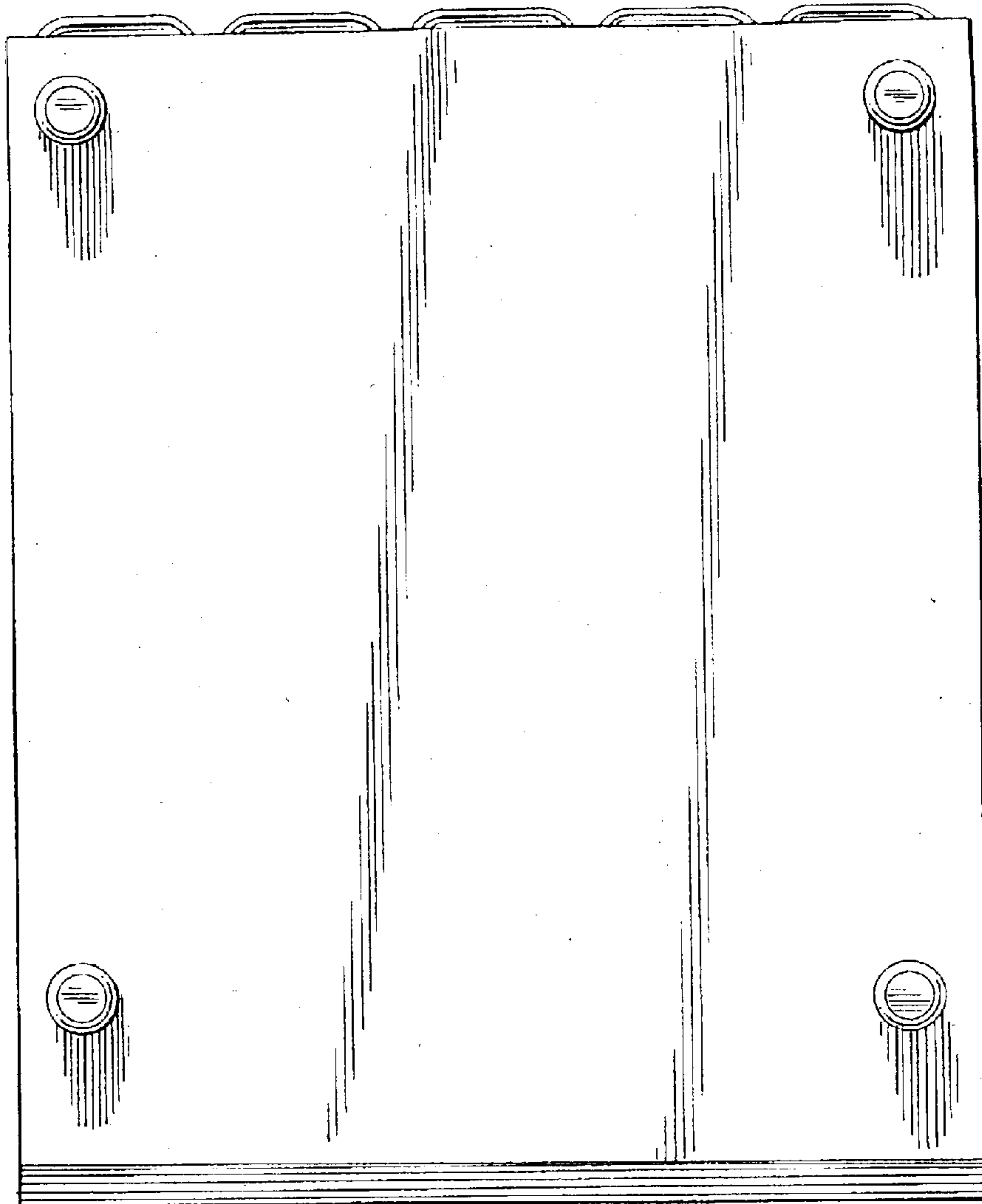


FIG. 13

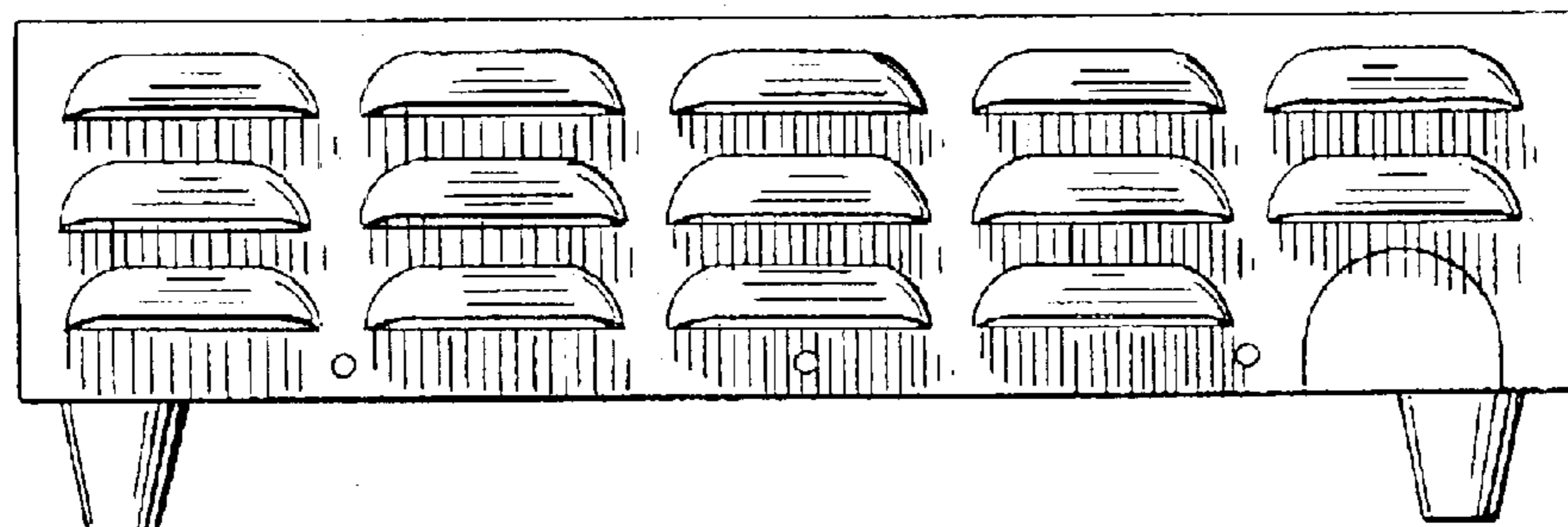


FIG. 14

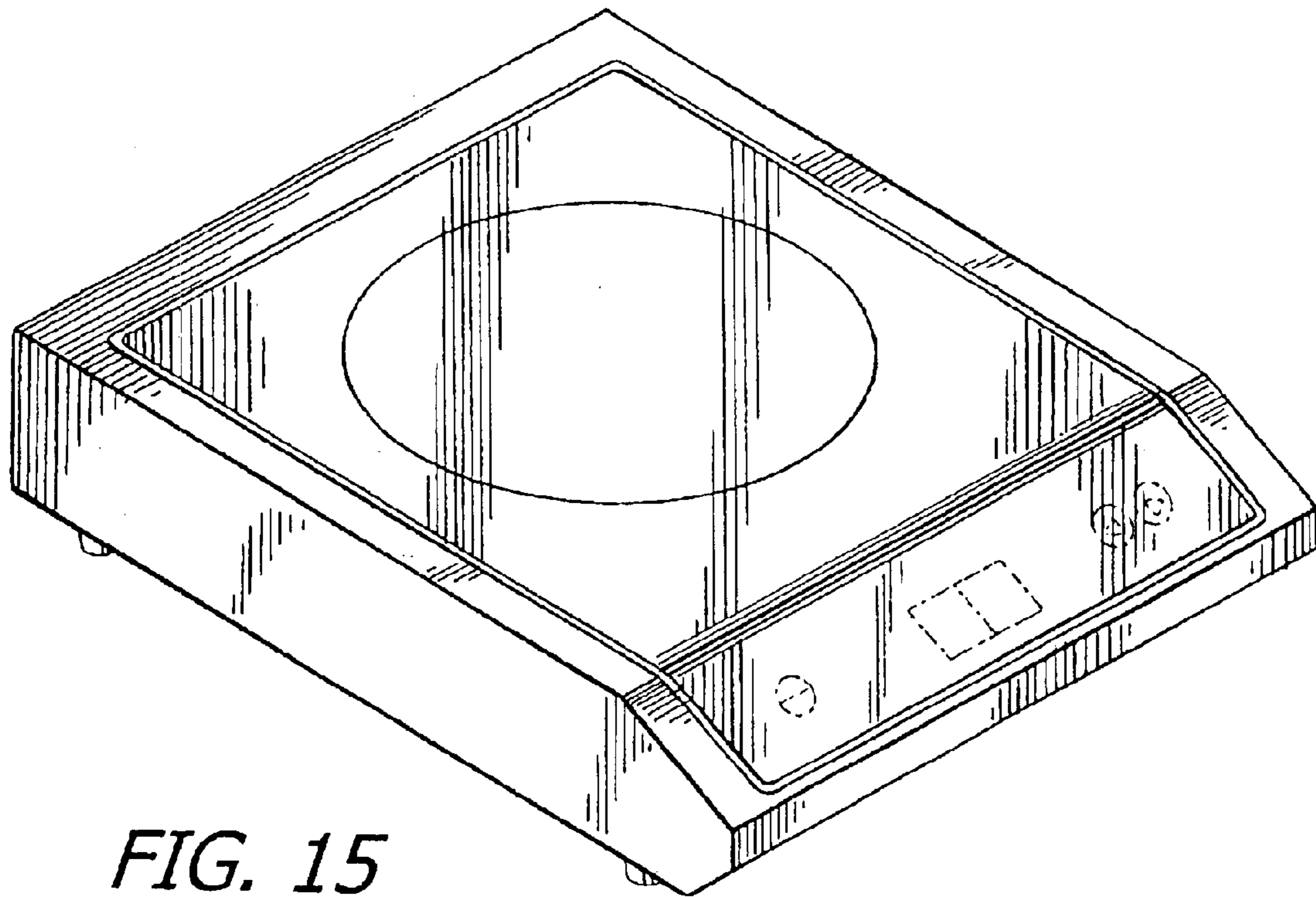


FIG. 15

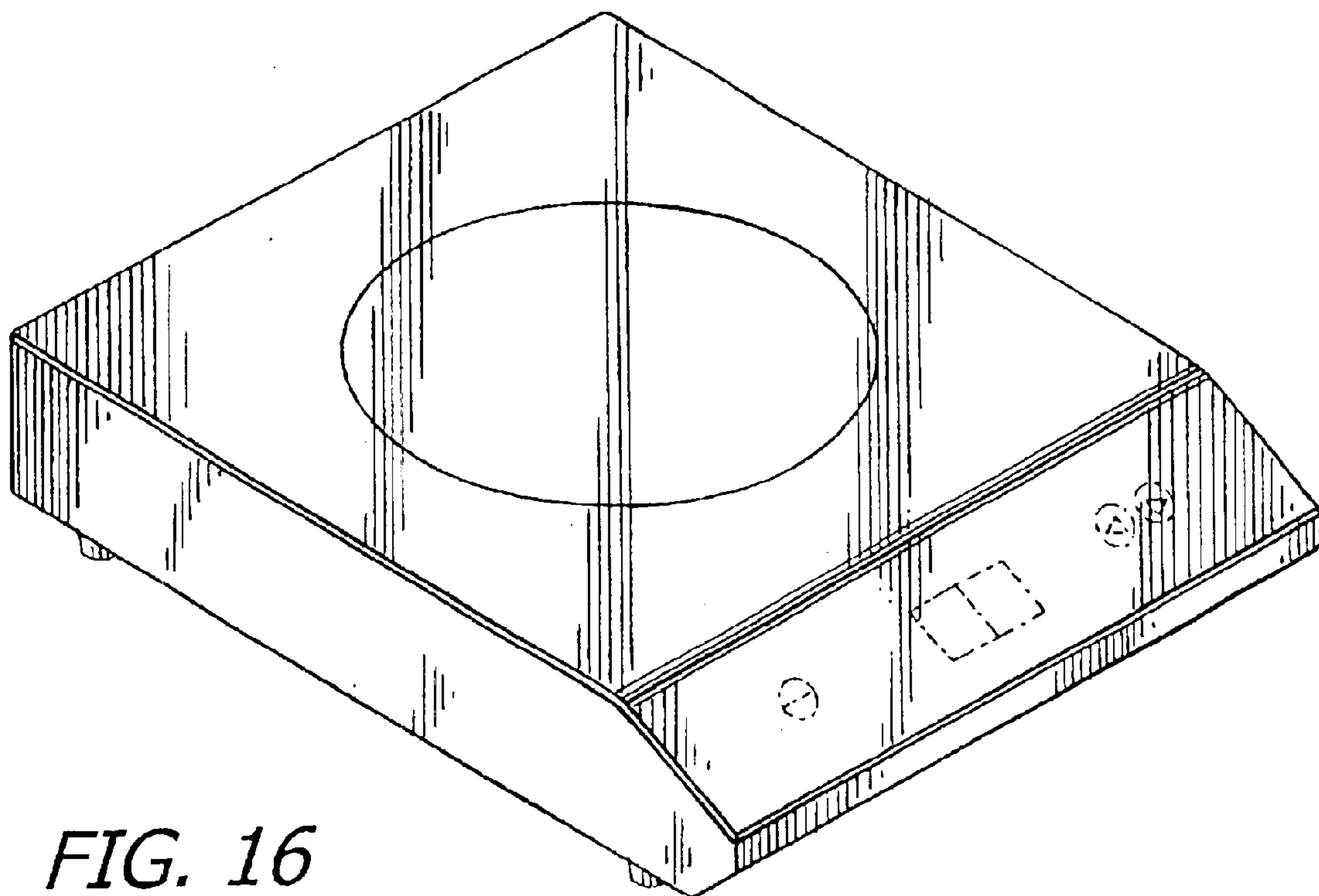


FIG. 16