

US00D501116S

(12) **United States Design Patent**
Zhang

(10) **Patent No.: US D501,116 S**
(45) **Date of Patent: ** Jan. 25, 2005**

(54) **BARBEQUE GRILL COOKING APPARATUS**

(76) Inventor: **S. R. Zhang**, Block 6, Lakepoint Dr.,
No. 03-38, Singapore (SG), 648925

(**) Term: **14 Years**

(21) Appl. No.: **29/189,597**

(22) Filed: **Sep. 6, 2003**

(51) **LOC (7) Cl. 07-02**

(52) **U.S. Cl. D7/334**

(58) **Field of Search** D7/332-337, 402-405,
D7/350.1, 350.4; 126/25 R, 41 R, 37 R,
38, 50, 9 R, 9 B; D21/540; D29/106; D22/104

(56) **References Cited**

U.S. PATENT DOCUMENTS

- D461,359 S * 8/2002 Coleman et al. D7/334
- D462,227 S * 9/2002 Alden et al. D7/334
- D465,123 S * 11/2002 Coleman et al. D7/334
- D465,693 S * 11/2002 Coleman et al. D7/334

- D466,756 S * 12/2002 Bossler et al. D7/334
- D470,357 S * 2/2003 Home D7/334
- D471,057 S * 3/2003 Chung D7/334
- D475,235 S * 6/2003 Home D7/334

* cited by examiner

Primary Examiner—Ruth McInroy

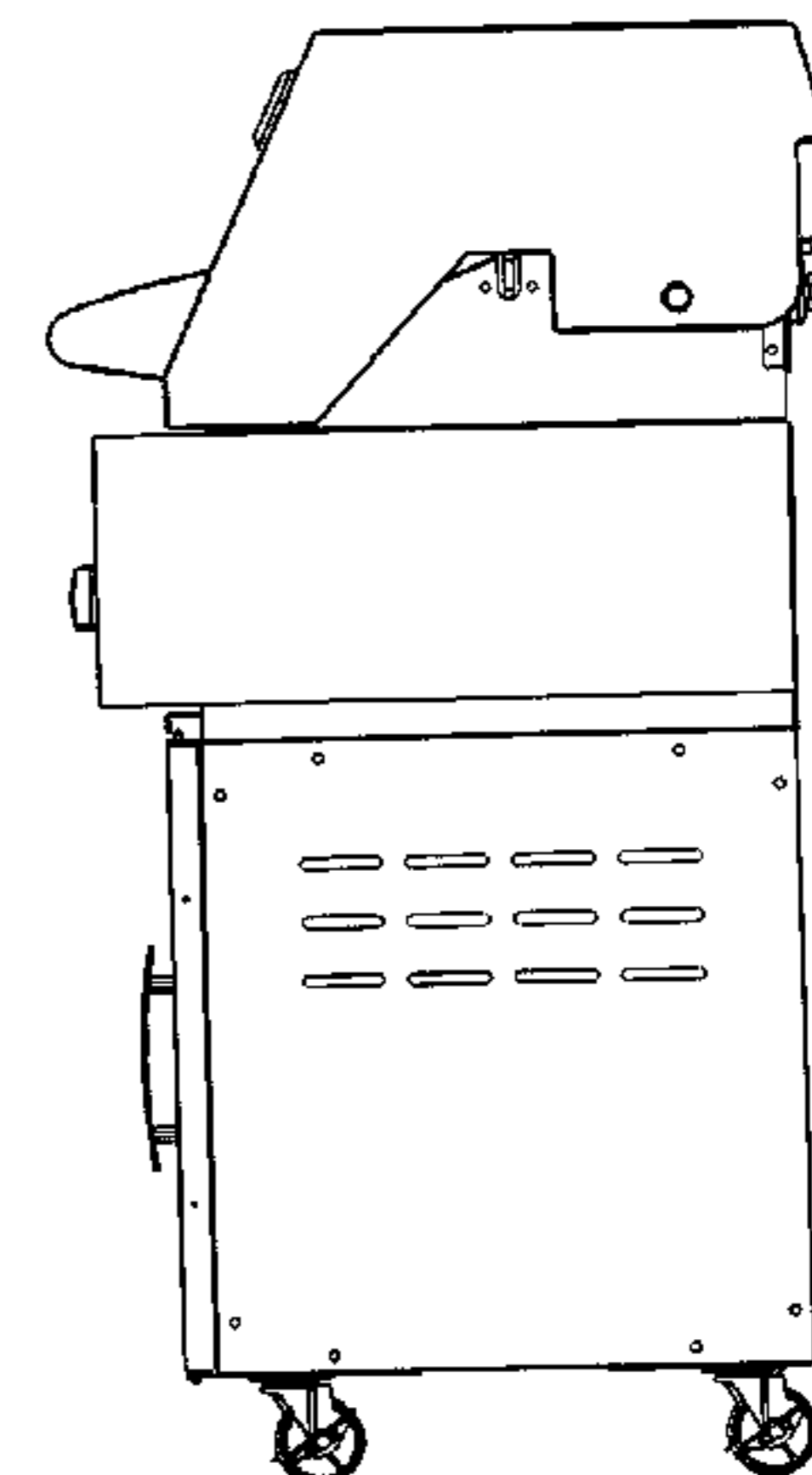
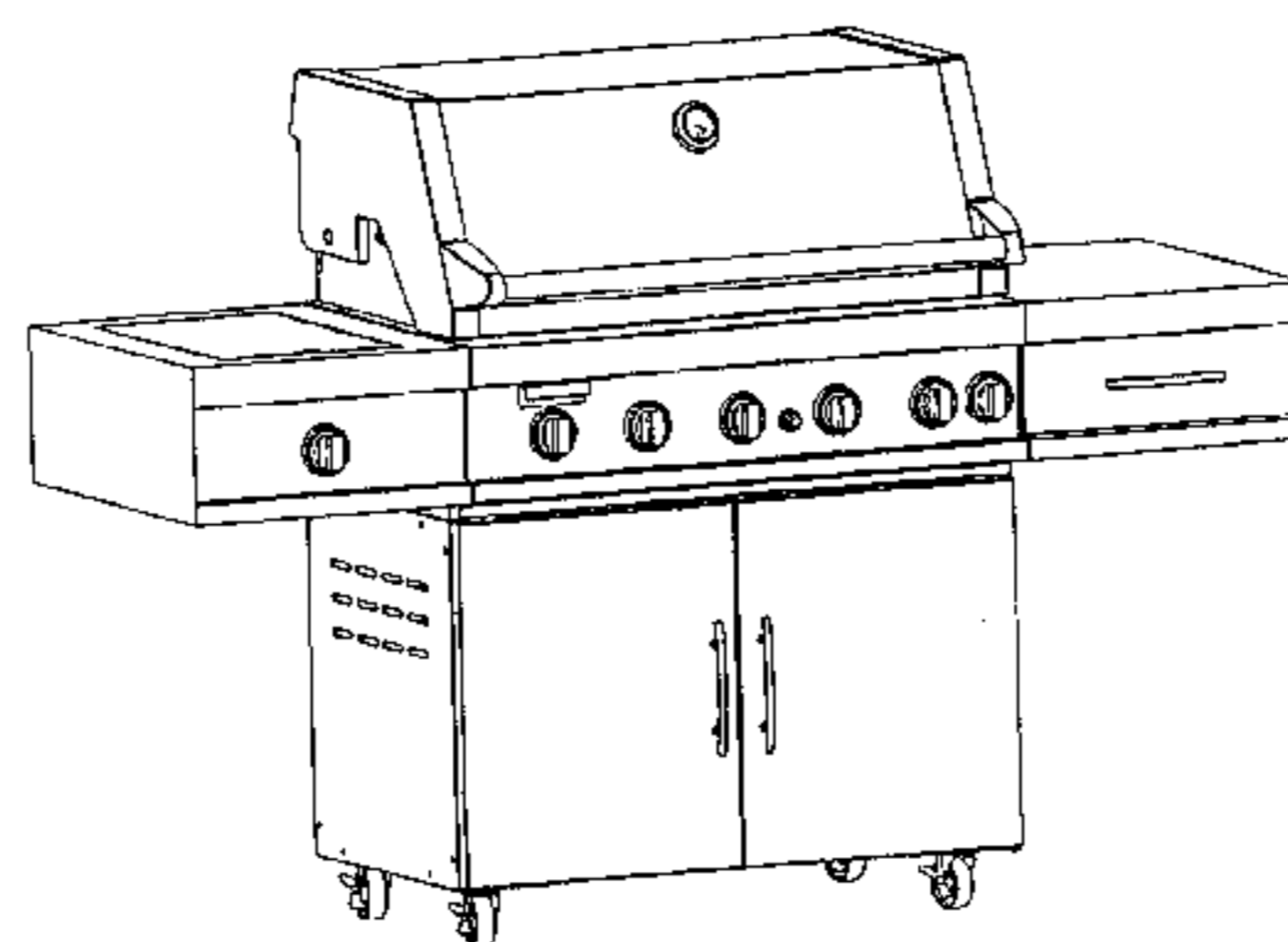
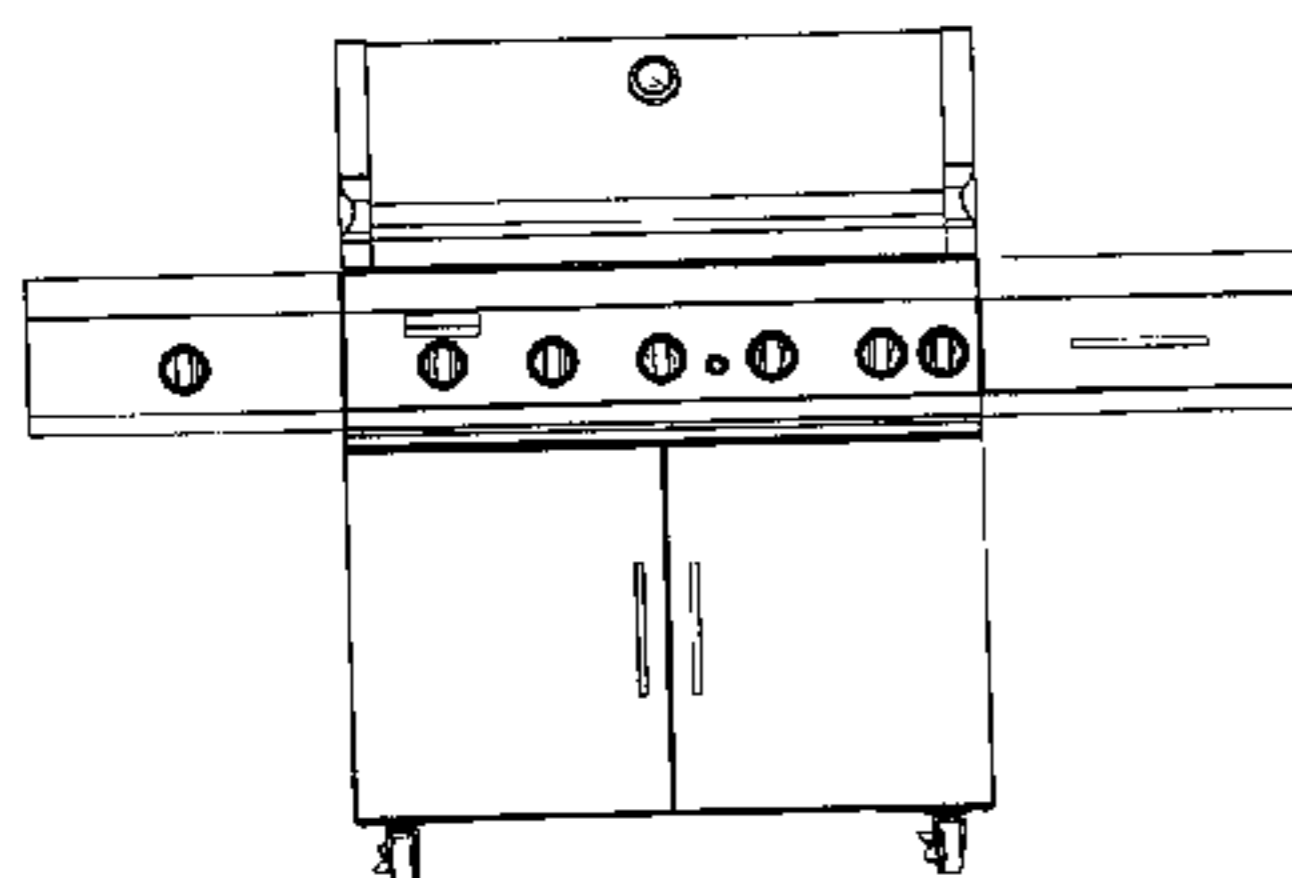
(57) **CLAIM**

The ornamental design for a barbeque grill cooking apparatus, as shown and described.

DESCRIPTION

FIG. 1 is a front view of a barbeque grill cooking apparatus showing my new design;
 FIG. 2 is a back view thereof;
 FIG. 3 is a perspective view thereof;
 FIG. 4 is an enlarged right side view thereof;
 FIG. 5 is an enlarged left side view thereof;
 FIG. 6 is a top view thereof; and,
 FIG. 7 is a bottom view thereof.

1 Claim, 7 Drawing Sheets



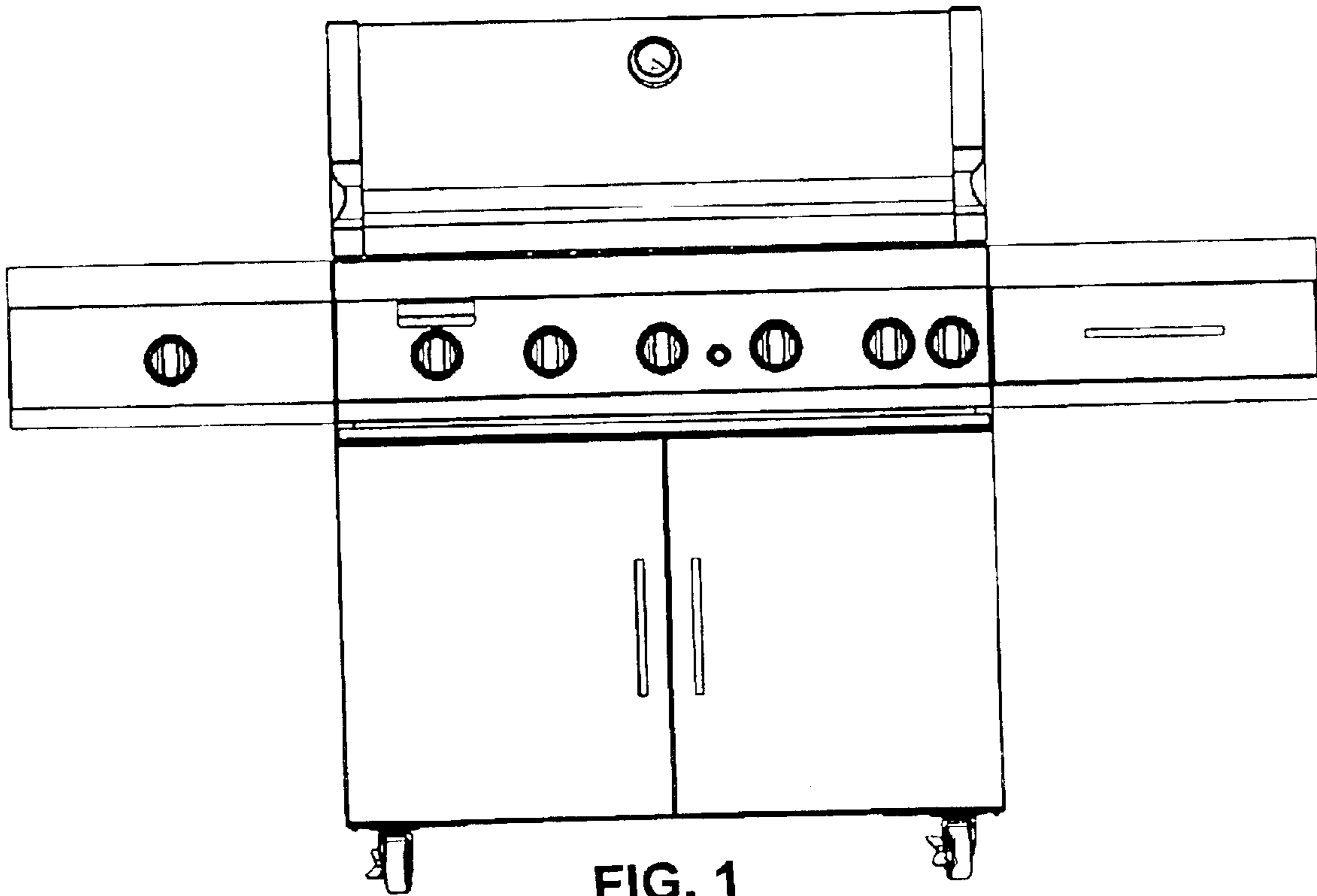


FIG. 1

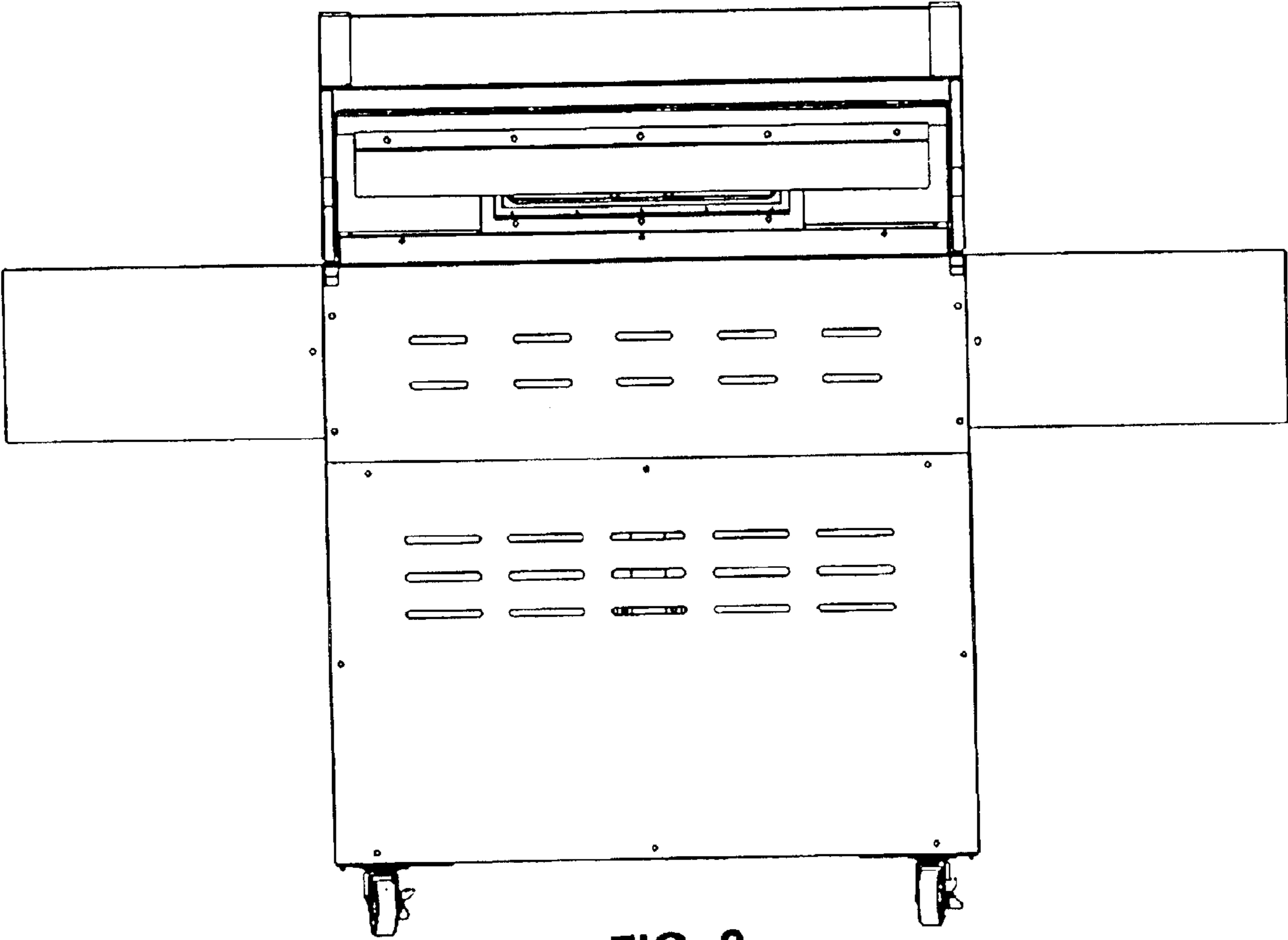


FIG. 2

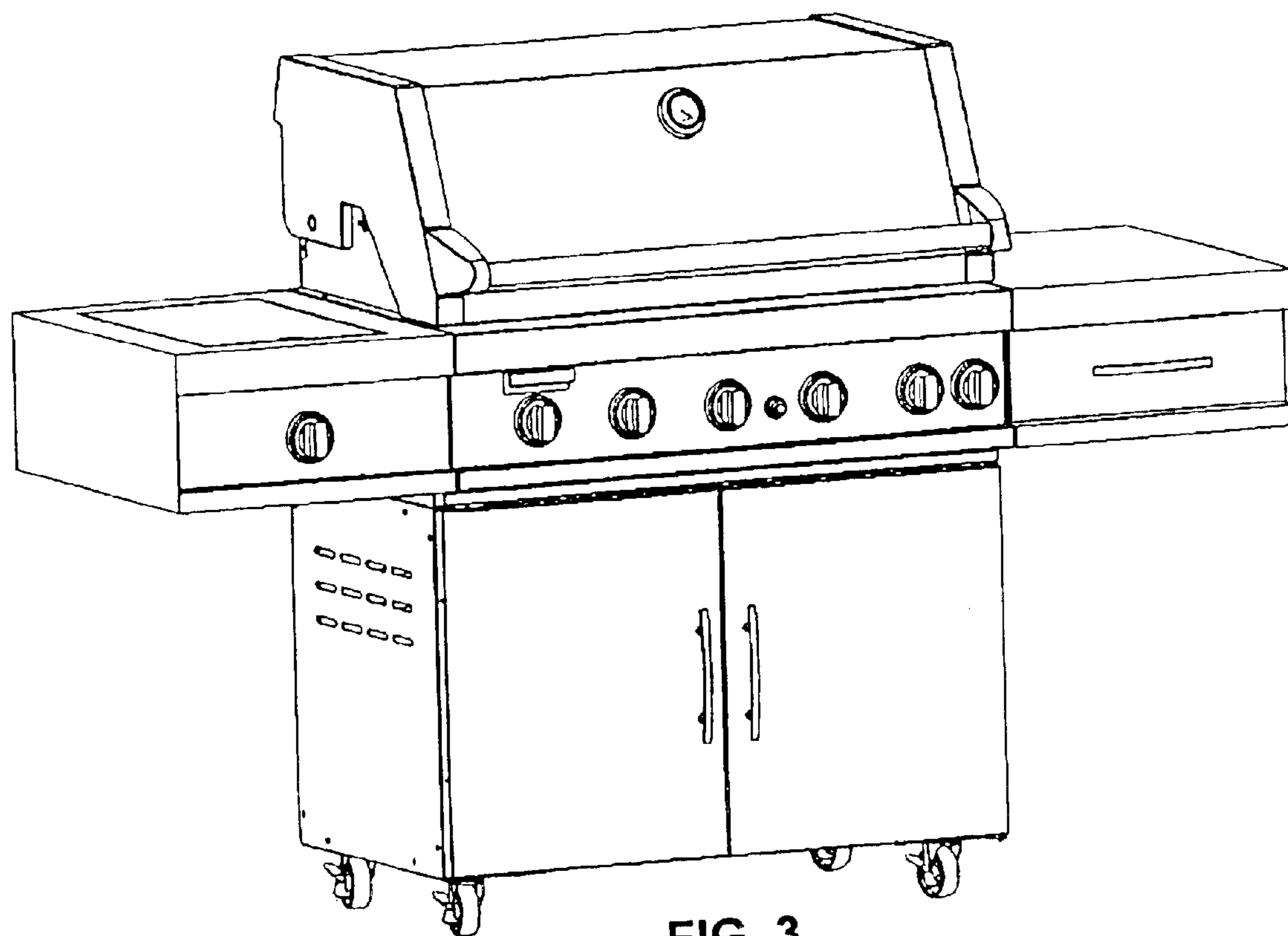


FIG. 3

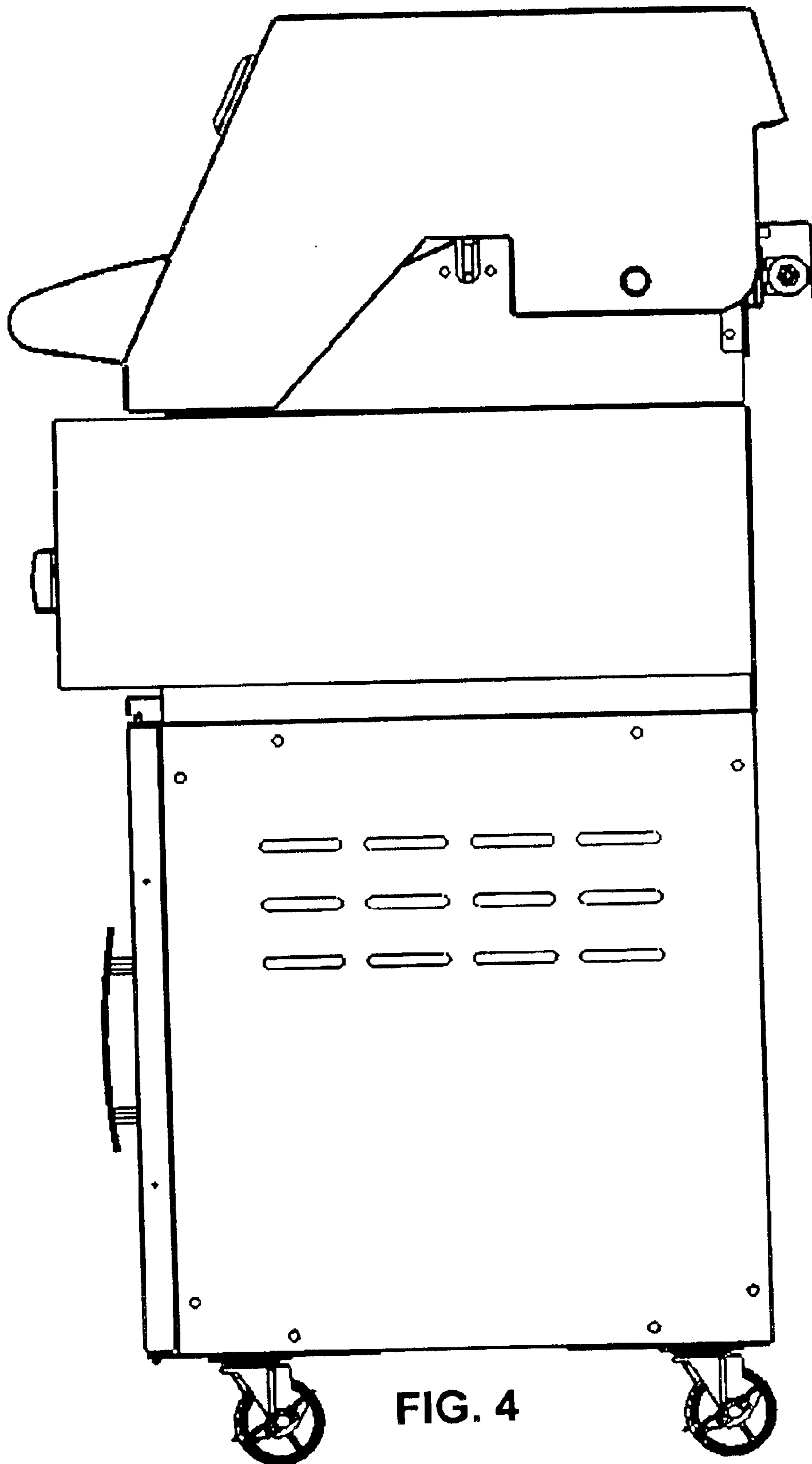


FIG. 4

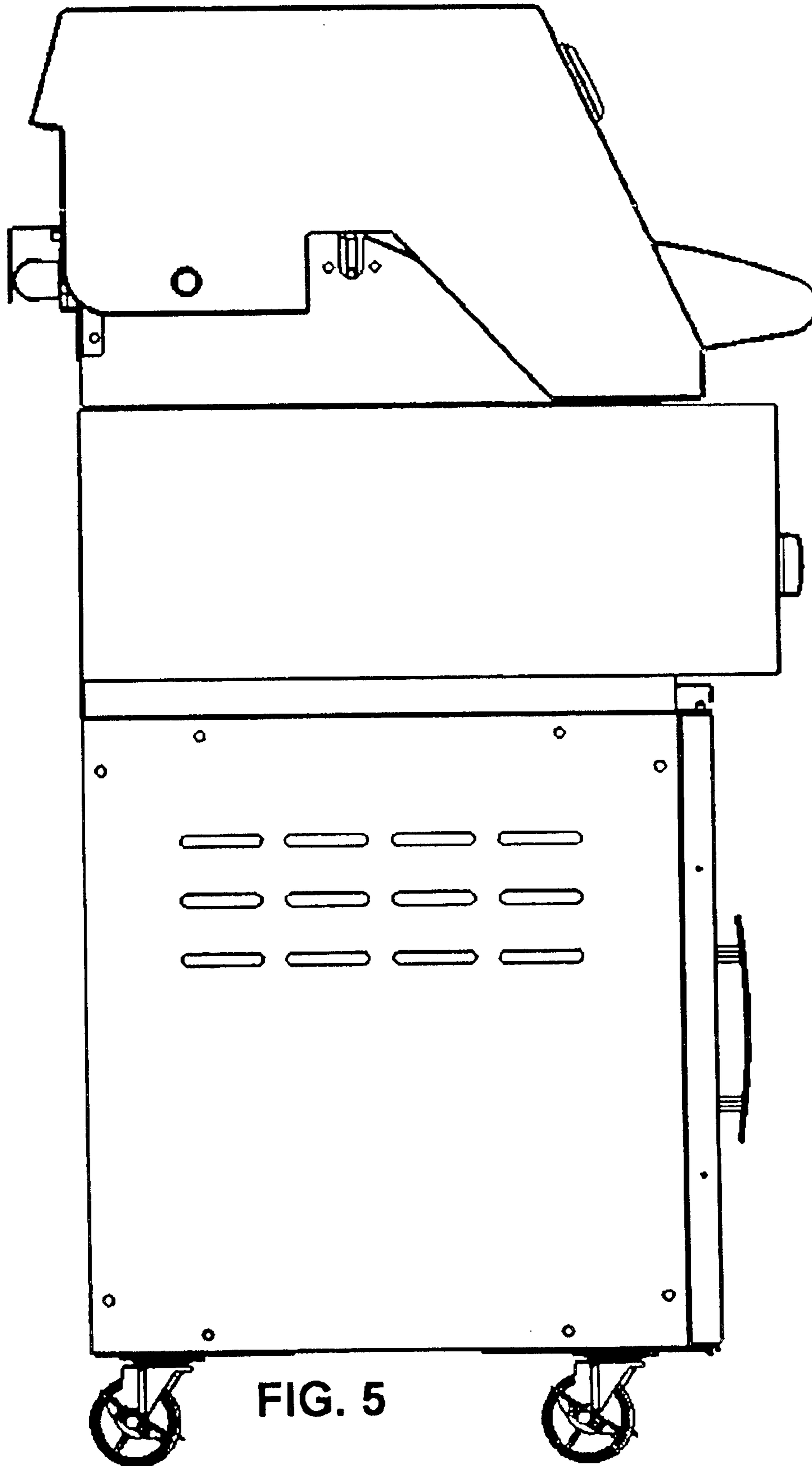


FIG. 5

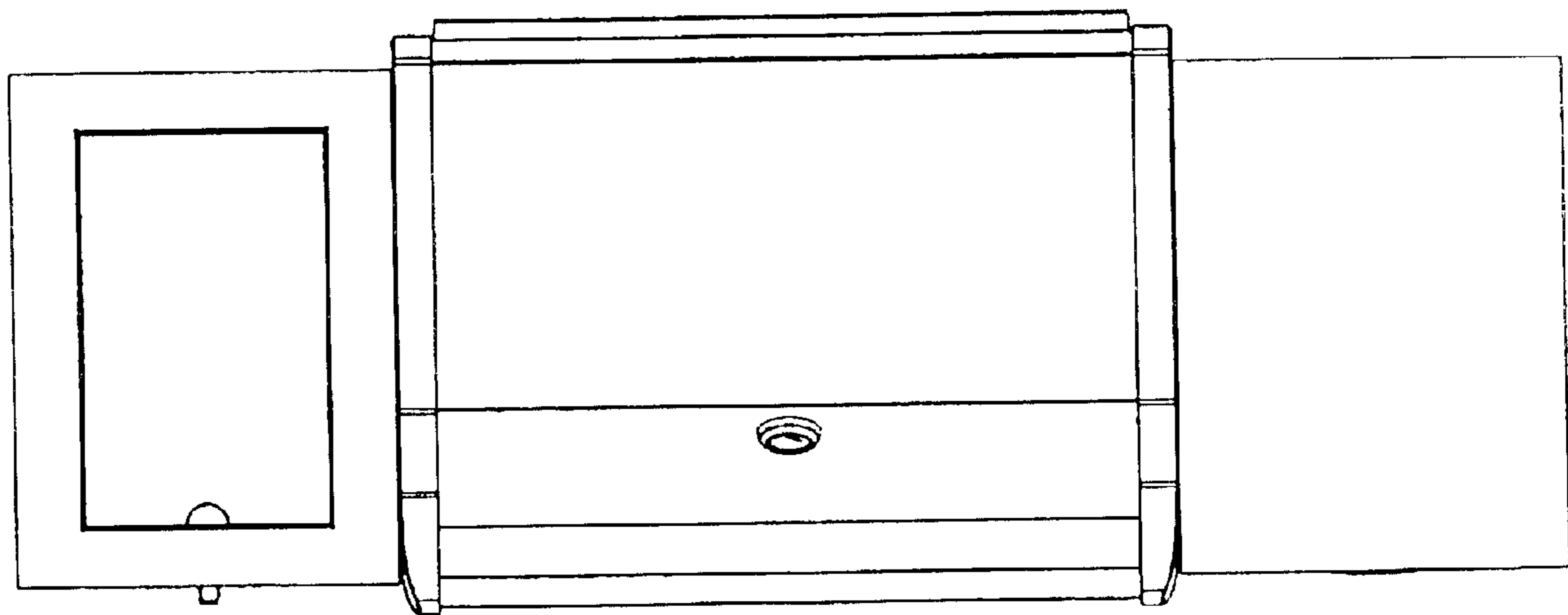


FIG. 6

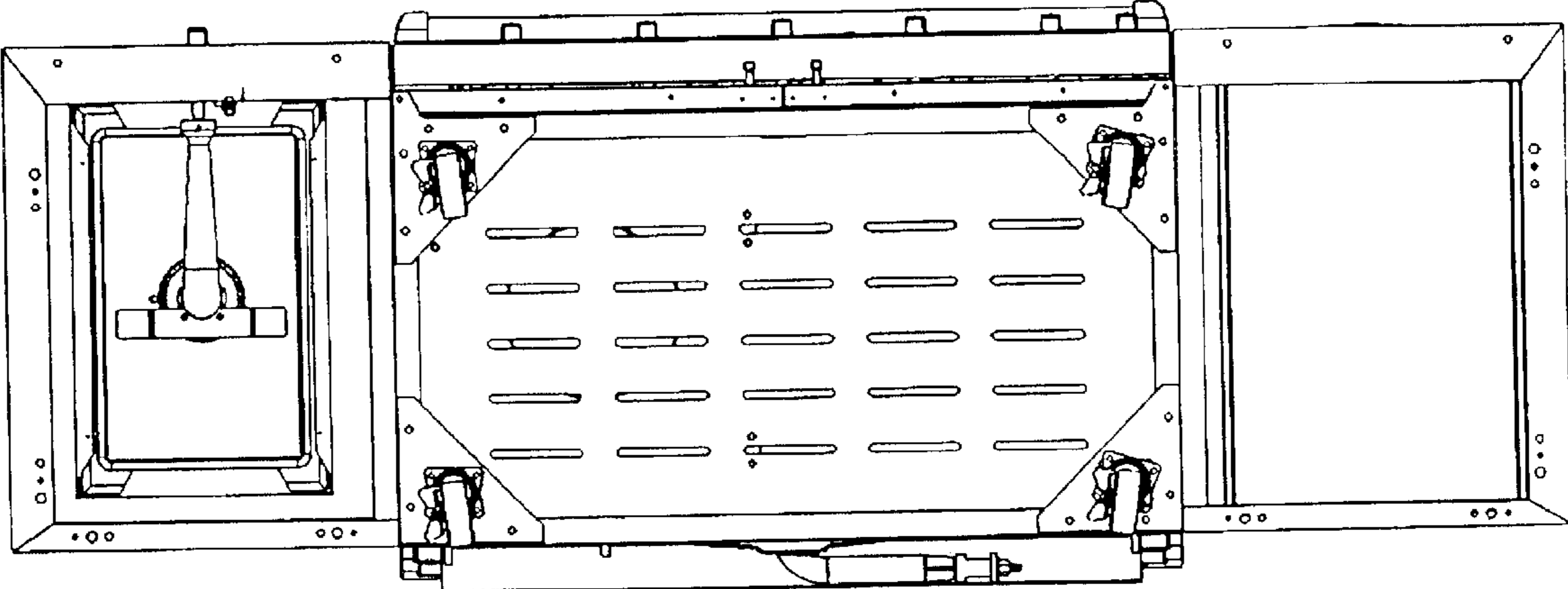


FIG. 7