

US00D501115S

(12) **United States Design Patent**  
**Zhang**

(10) **Patent No.:** **US D501,115 S**

(45) **Date of Patent:** **\*\* Jan. 25, 2005**

(54) **BARBEQUE GRILL COOKING APPARATUS**

(76) **Inventor:** **S. R. Zhang**, Block 6, Lakepoint Drive  
#03-38, Singapore 648925 (SG)

(\*\*) **Term:** **14 Years**

(21) **Appl. No.:** **29/183,443**

(22) **Filed:** **Jun. 10, 2003**

(51) **LOC (7) Cl.** ..... **07-02**

(52) **U.S. Cl.** ..... **D7/332**

(58) **Field of Search** ..... D7/332-337, 402-405;  
126/25 R, 25 A, 25 AA, 41 R, 50, 9 R;  
99/419, 421 HV

(56) **References Cited**

**U.S. PATENT DOCUMENTS**

4,498,452 A	*	2/1985	Schlosser et al.	.....	126/9 R
D284,929 S	*	8/1986	Schlosser et al.	.....	D7/332
D376,510 S	*	12/1996	Ting	.....	D7/332
D420,546 S	*	2/2000	Pai	.....	D7/332
D427,840 S	*	7/2000	Pai	.....	D7/332
D459,629 S	*	7/2002	Pai	.....	D7/332

D463,707 S	*	10/2002	Bossler	.....	D7/332
D464,228 S	*	10/2002	Hsu	.....	D7/337
D467,765 S	*	12/2002	Yeh et al.	.....	D7/337
D475,746 S	*	4/2003	Yeh	.....	D7/337
D481,256 S	*	10/2003	Bossler	.....	D7/337

\* cited by examiner

*Primary Examiner*—Ruth McInroy

(74) *Attorney, Agent, or Firm*—Leonard Tachner

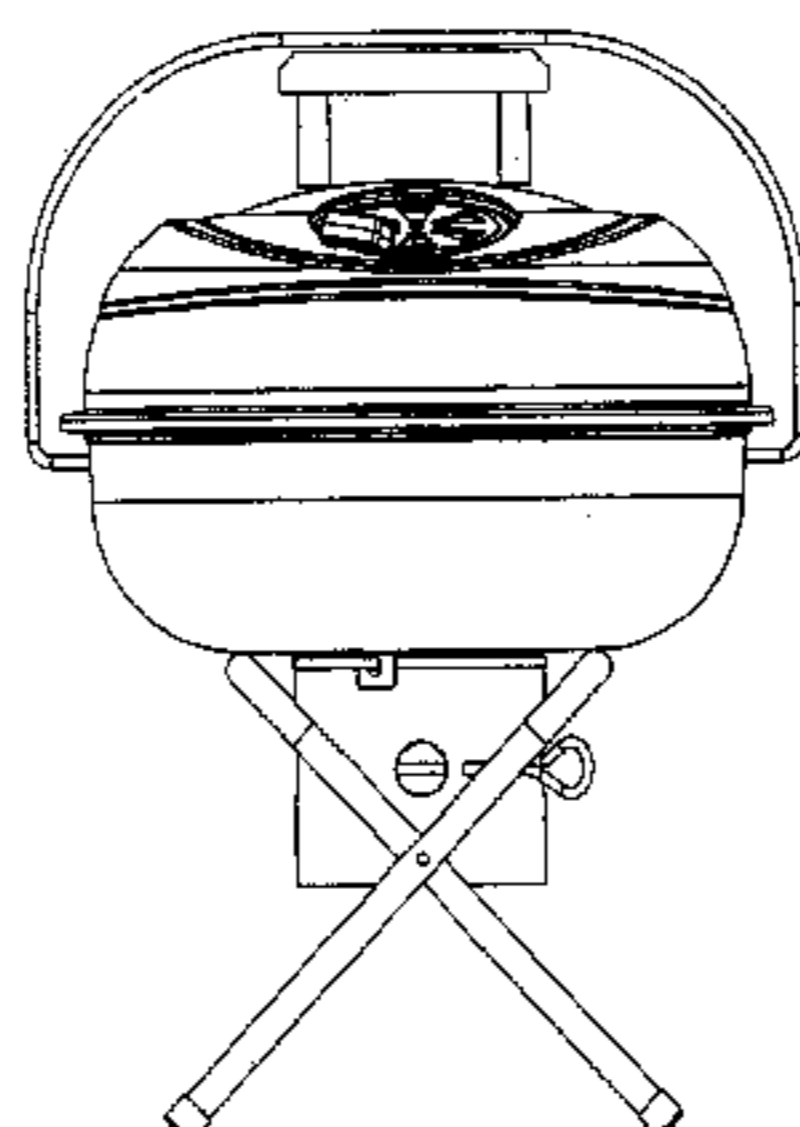
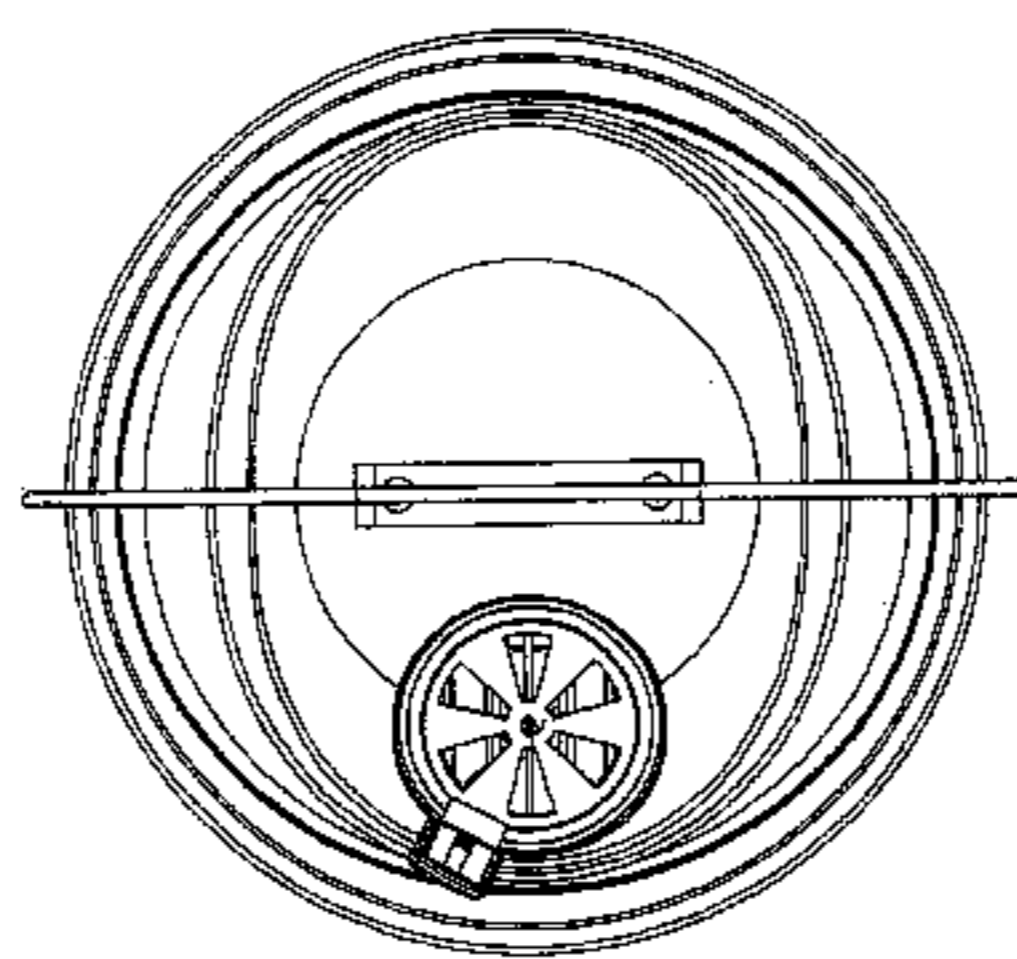
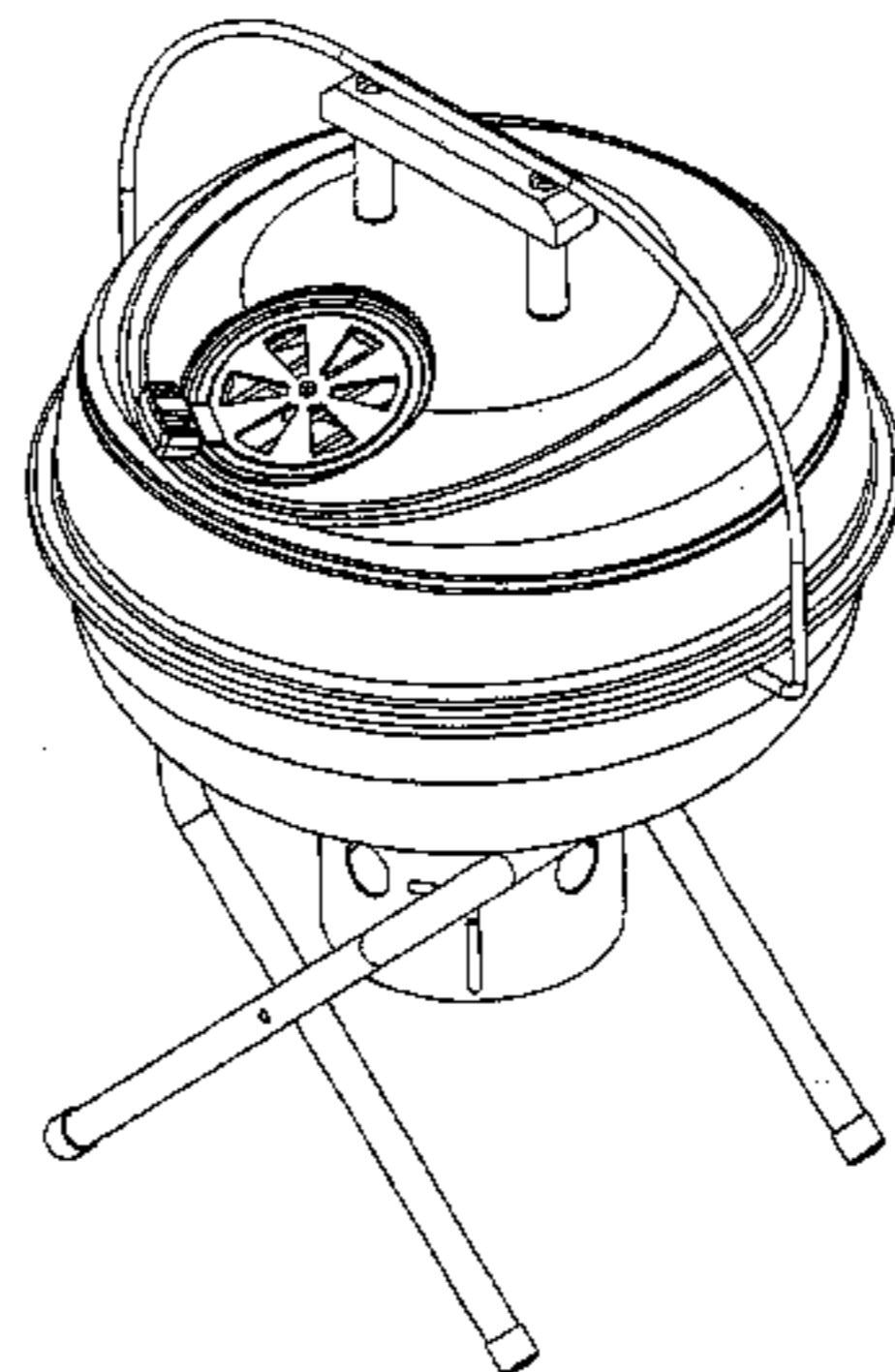
(57) **CLAIM**

The ornamental design for a barbecue grill cooking apparatus, as shown and described.

**DESCRIPTION**

FIG. 1 is a perspective view of a barbecue grill cooking apparatus showing my new design;  
FIG. 2 is a top view thereof;  
FIG. 3 is a bottom view thereof;  
FIG. 4 is a right side view thereof;  
FIG. 5 is a left side view thereof;  
FIG. 6 is a front view thereof; and,  
FIG. 7 is a rear view thereof.

**1 Claim, 7 Drawing Sheets**



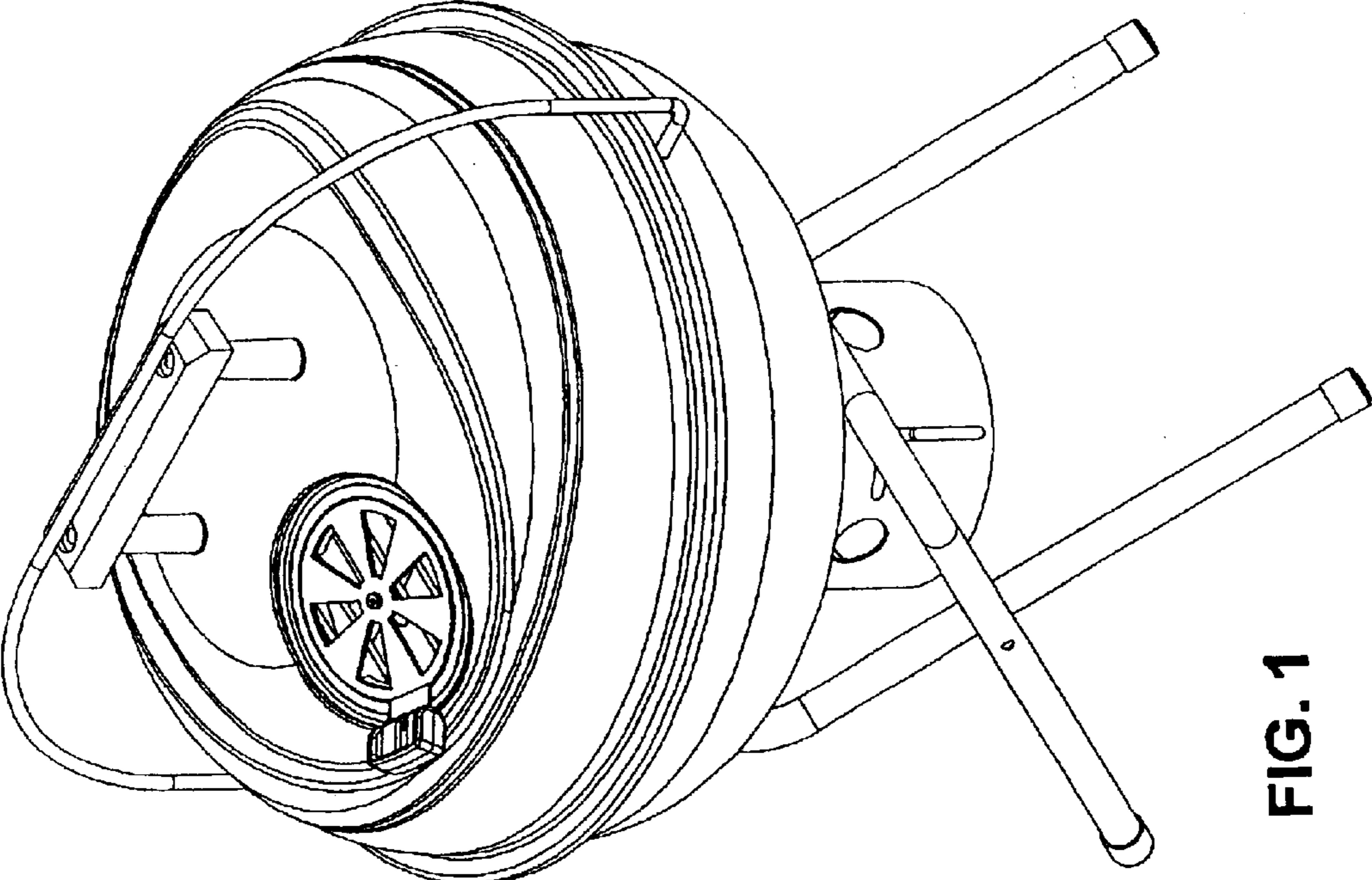


FIG. 1

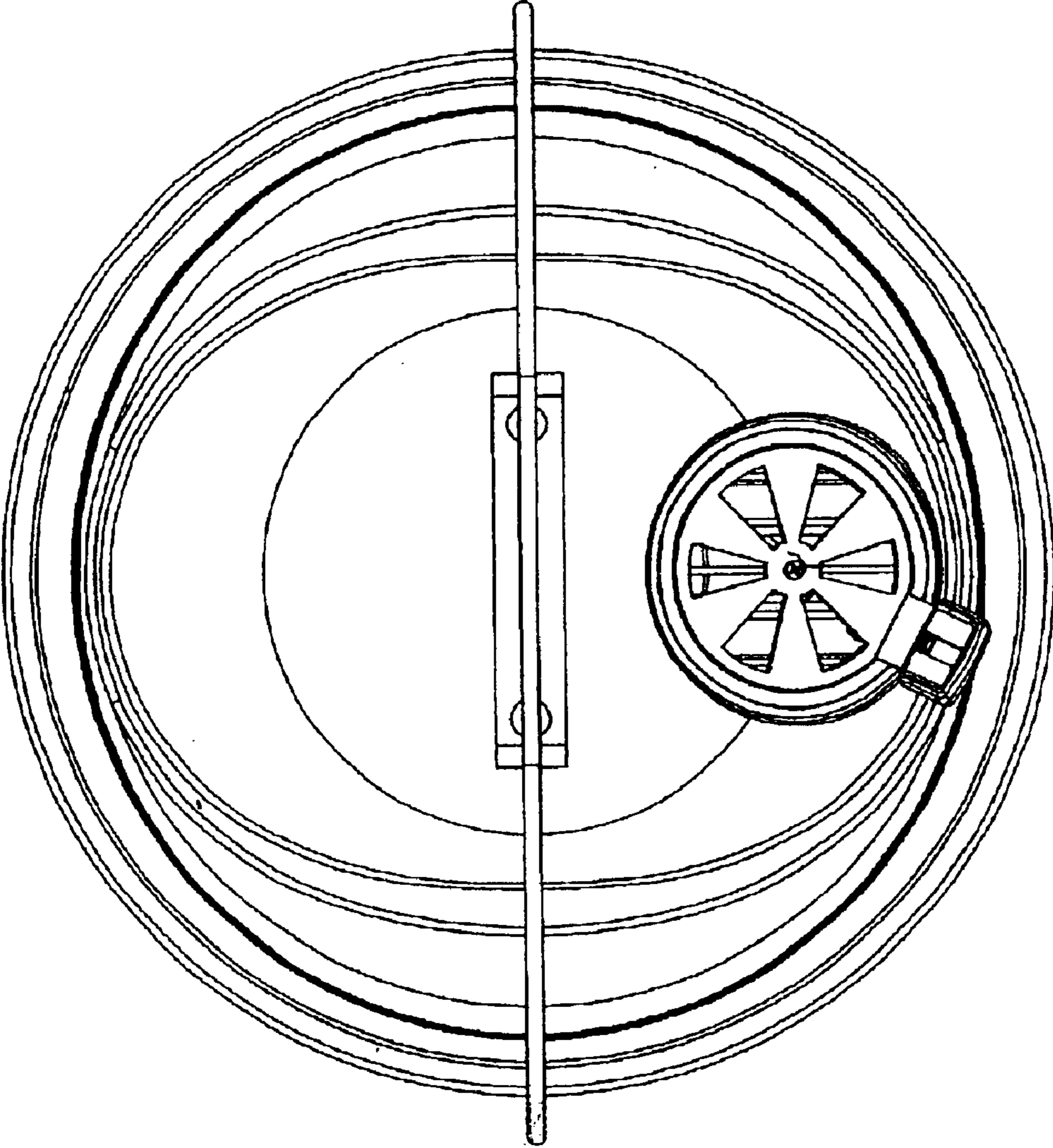


FIG. 2

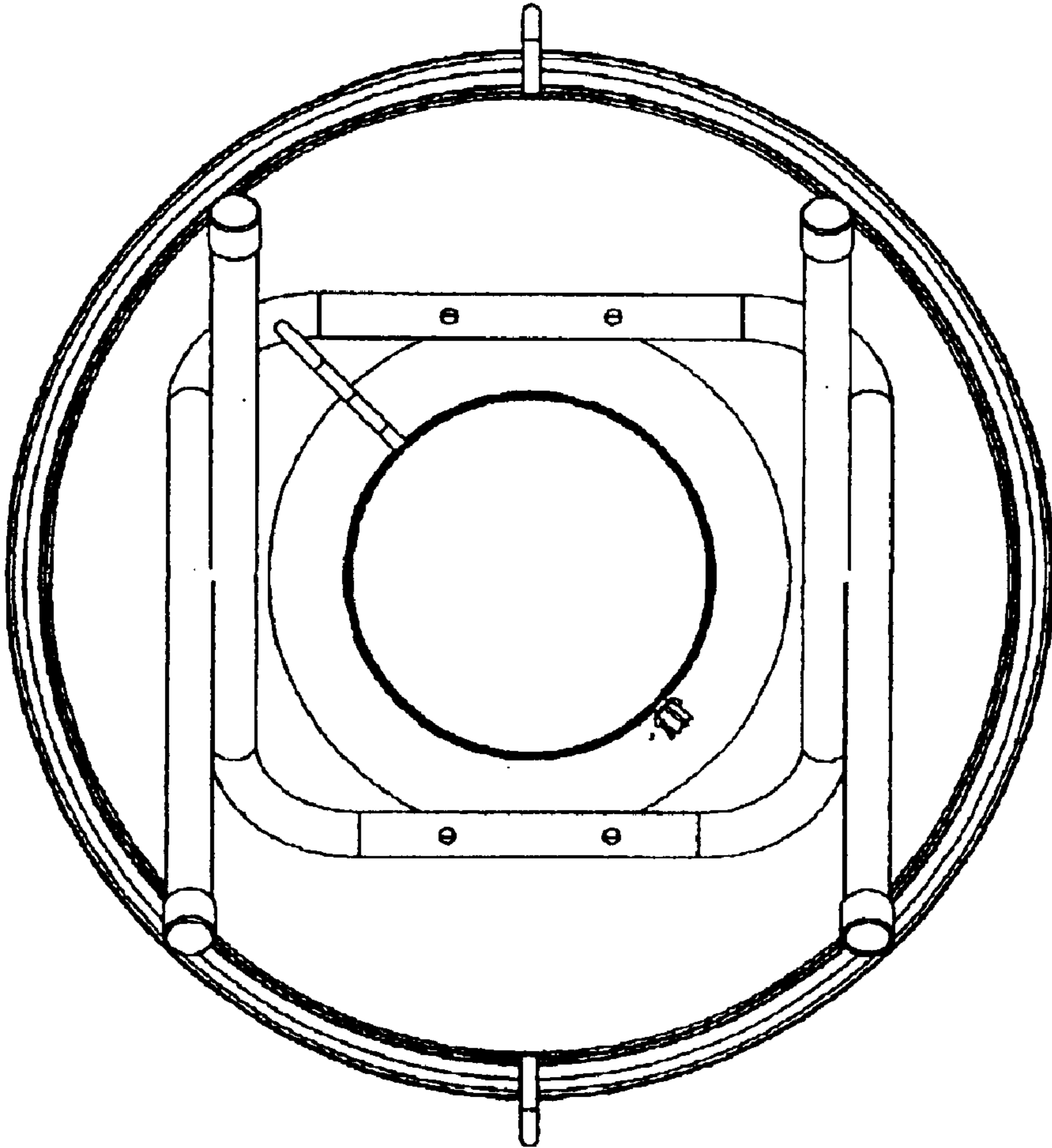


FIG. 3

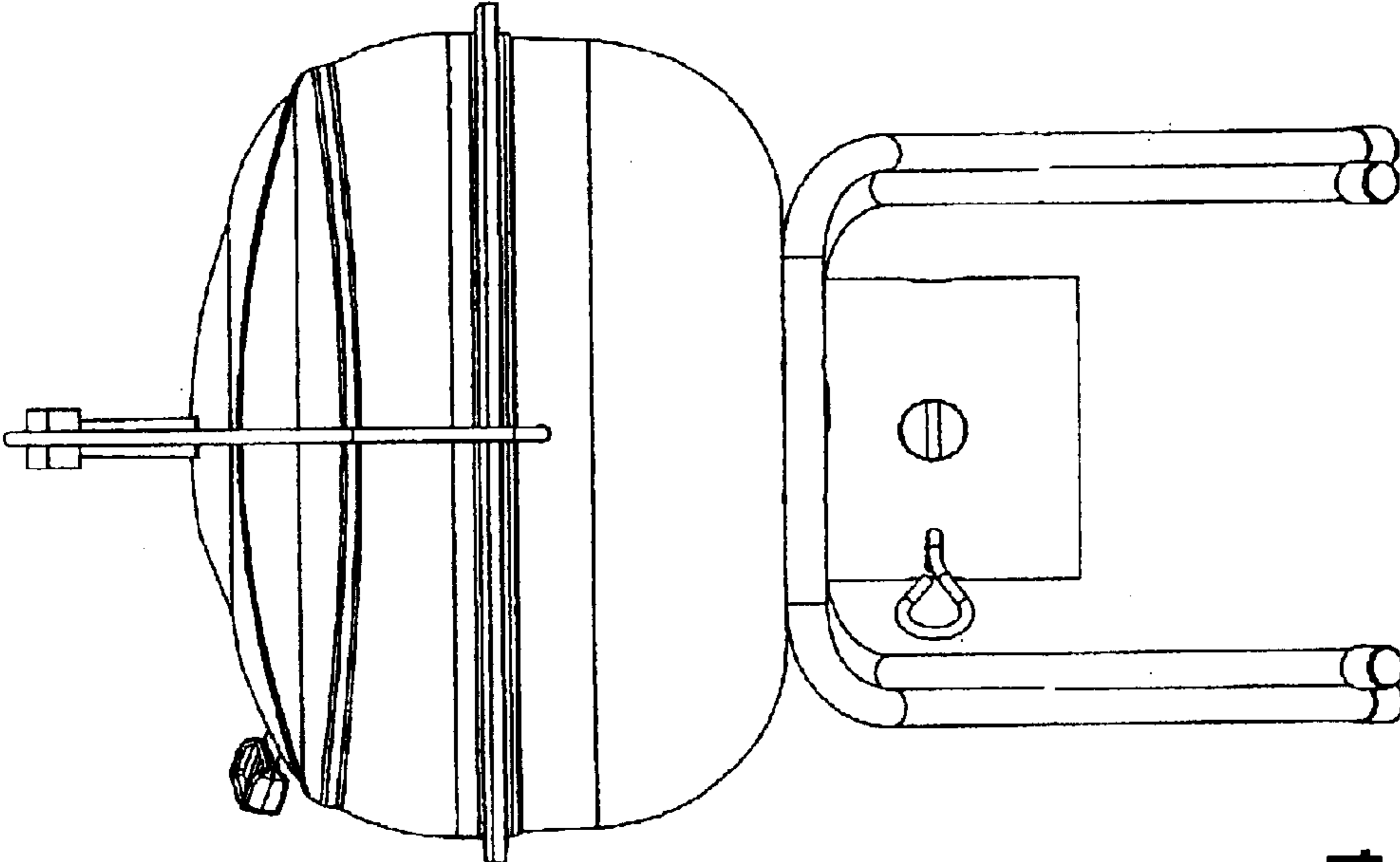


FIG. 4

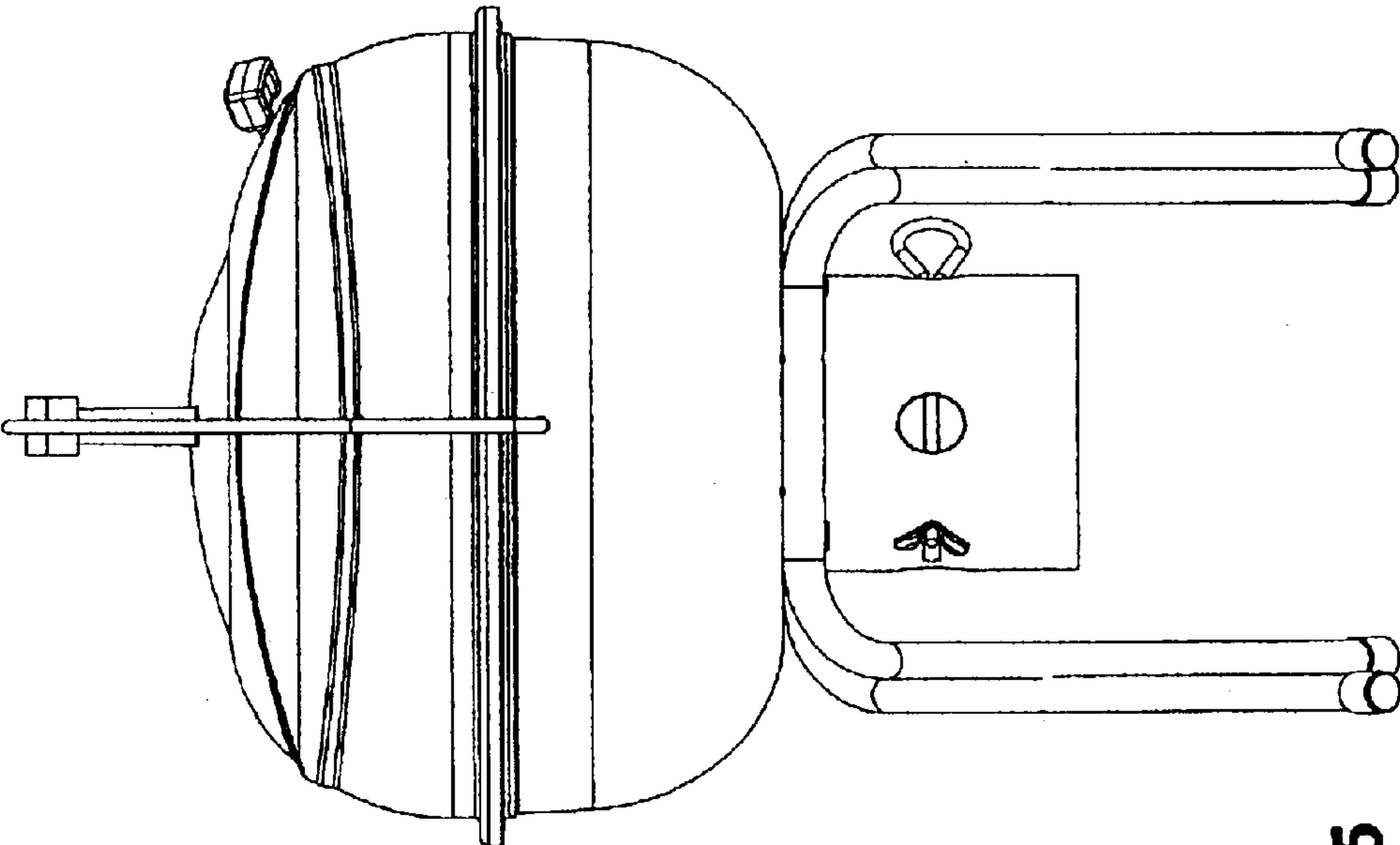


FIG. 5

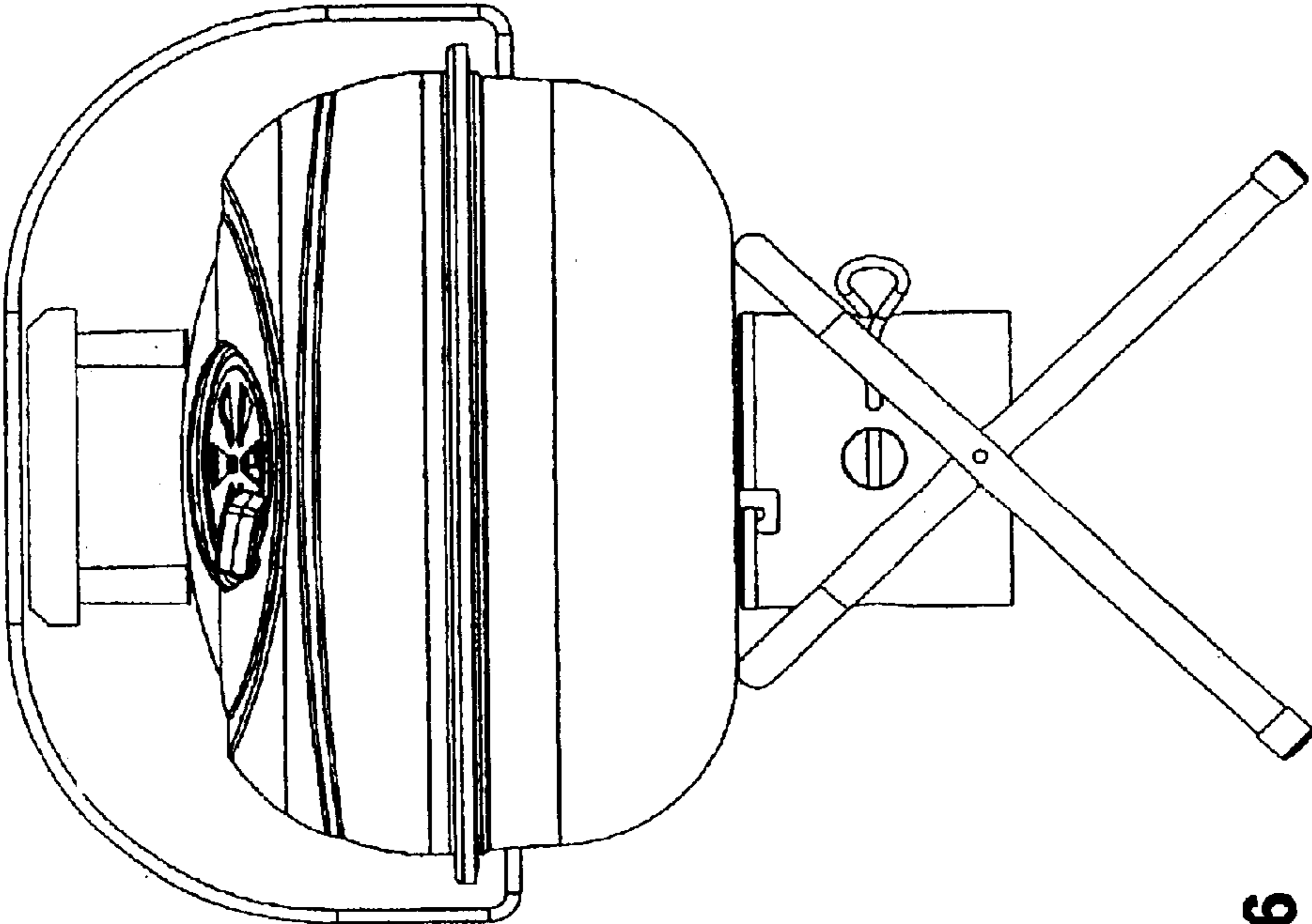


FIG. 6

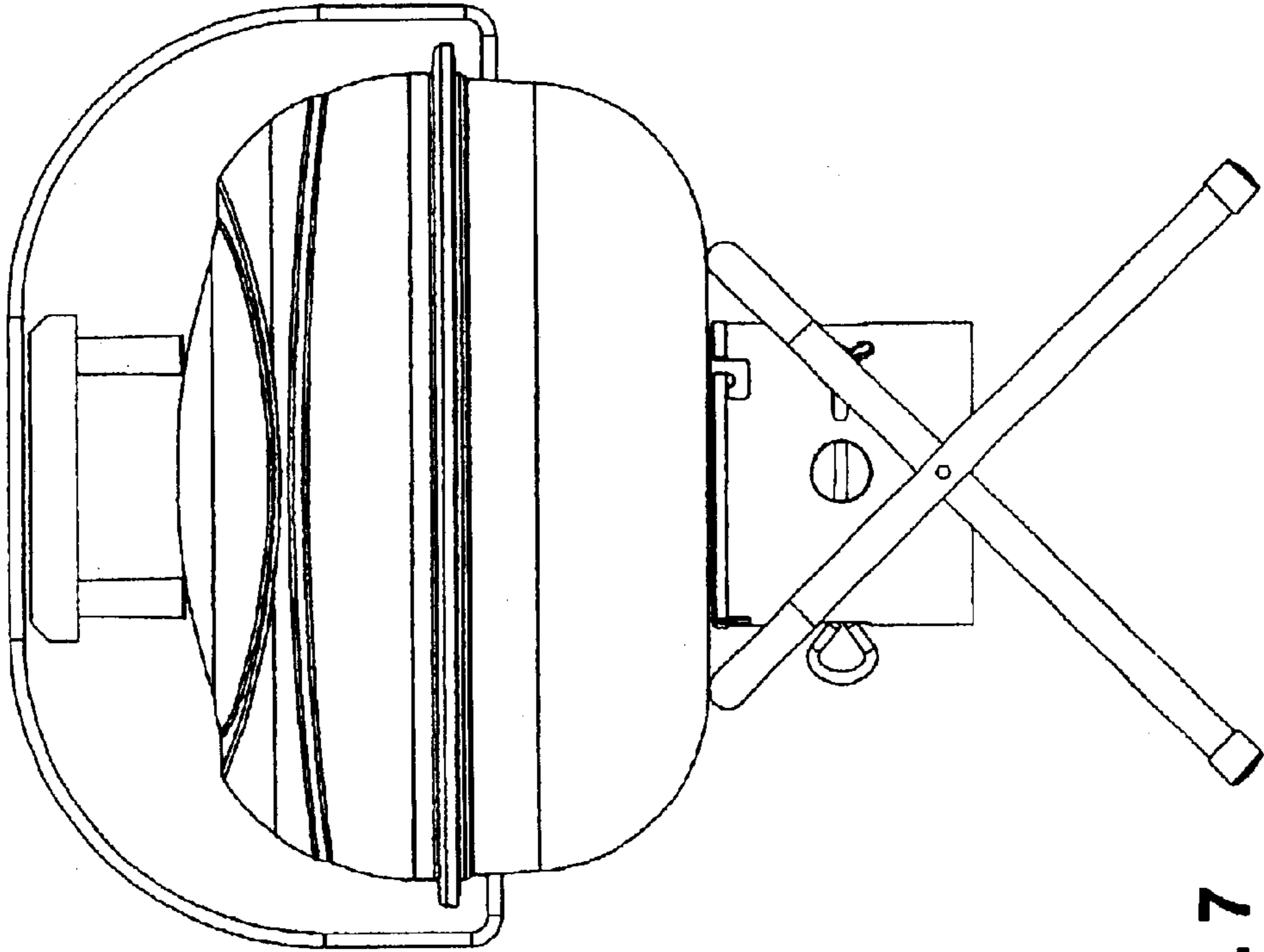


FIG. 7