

US00D501114S

(12) **United States Design Patent**
Wong

(10) **Patent No.:** **US D501,114 S**
(45) **Date of Patent:** **** Jan. 25, 2005**

(54) **CD STORAGE UNIT**
(75) Inventor: **Kent Wong**, Kowloon (HK)
(73) Assignee: **Sunhing Millennium Ltd.**, Kowloon (HK)

D394,182 S * 5/1998 Woolrich D6/632
D442,816 S * 5/2001 Chen D6/631
D473,091 S * 4/2003 Chen D6/632
D482,226 S * 11/2003 Bisiker et al. D6/629

(**) Term: **14 Years**

* cited by examiner

(21) Appl. No.: **29/183,935**

Primary Examiner—Cathron Brooks
(74) *Attorney, Agent, or Firm*—Burns, Doane, Swecker & Mathis, L.L.P.

(22) Filed: **Jun. 20, 2003**

(57) **CLAIM**

(30) **Foreign Application Priority Data**

The ornamental design for a “CD storage unit”, as shown and described.

Apr. 7, 2003 (HK) 0310535

DESCRIPTION

(51) **LOC (7) Cl.** **06-04**

FIG. 1 is a front view of a “CD storage unit” showing my design;

(52) **U.S. Cl.** **D6/632**

FIG. 2 is a rear view thereof;

(58) **Field of Search** D6/629–632, 634;
211/40, 41.18, 87.01, 90, 134, 186–189;
108/91, 92, 99, 115; 206/387.15, 307.1;
312/9.9, 9.64, 9.48, 9.53

FIG. 3 is a left side view thereof;

FIG. 4 is a right side view thereof;

FIG. 5 is a top plan view thereof;

FIG. 6 is a bottom view thereof; and,

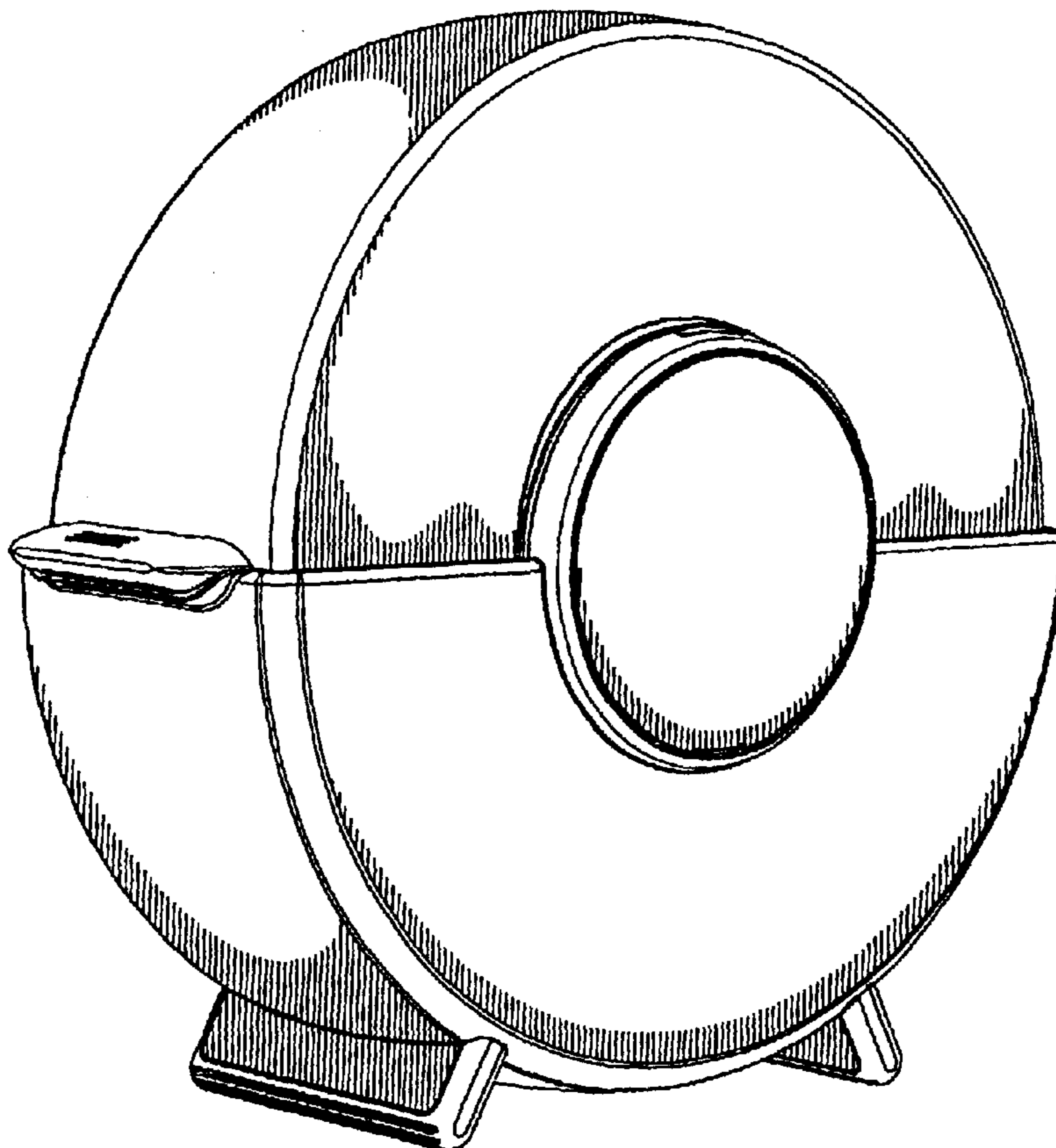
FIG. 7 is a perspective view thereof.

(56) **References Cited**

U.S. PATENT DOCUMENTS

D281,464 S * 11/1985 Drake D6/634

1 Claim, 7 Drawing Sheets



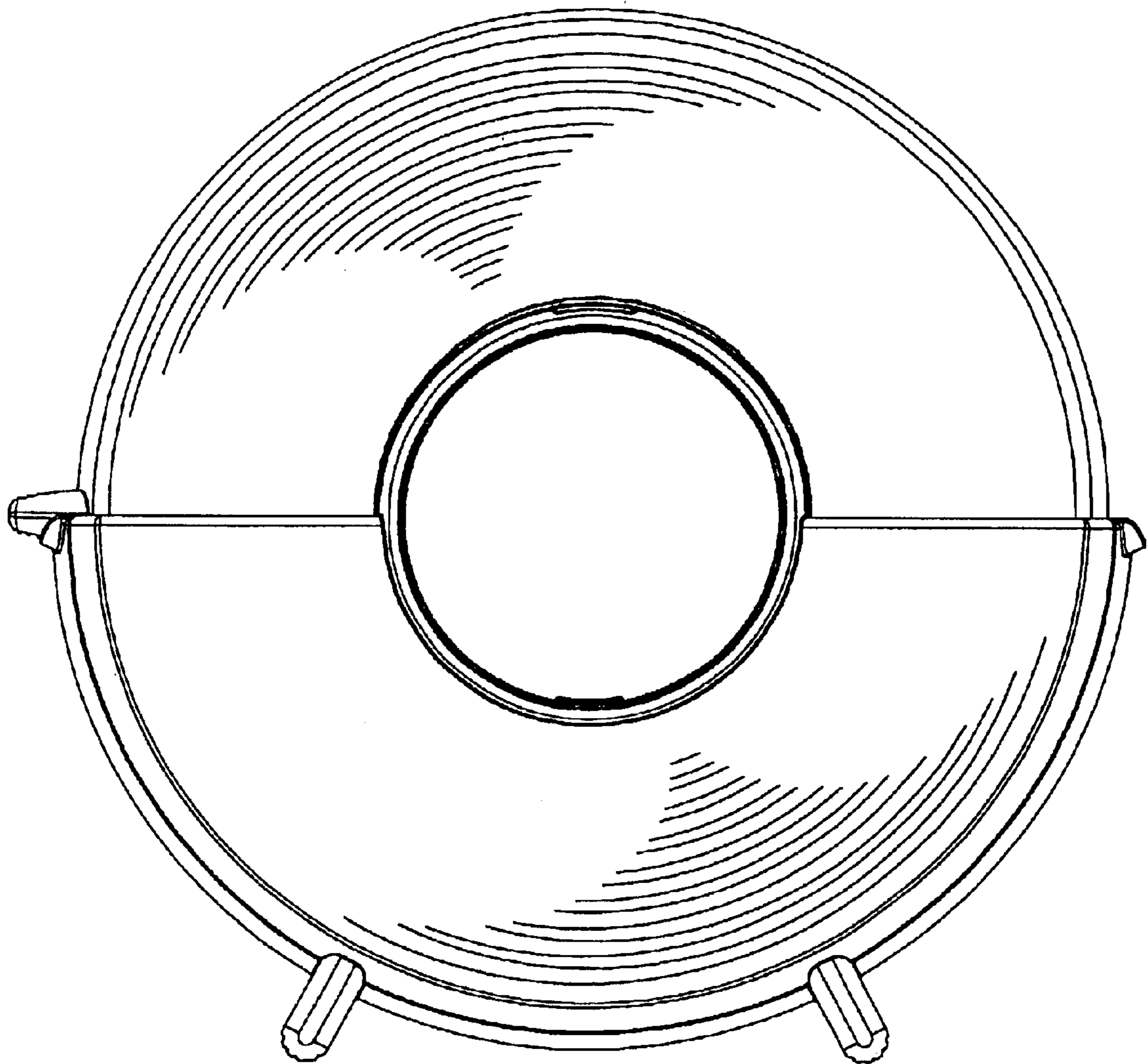


Fig. 1

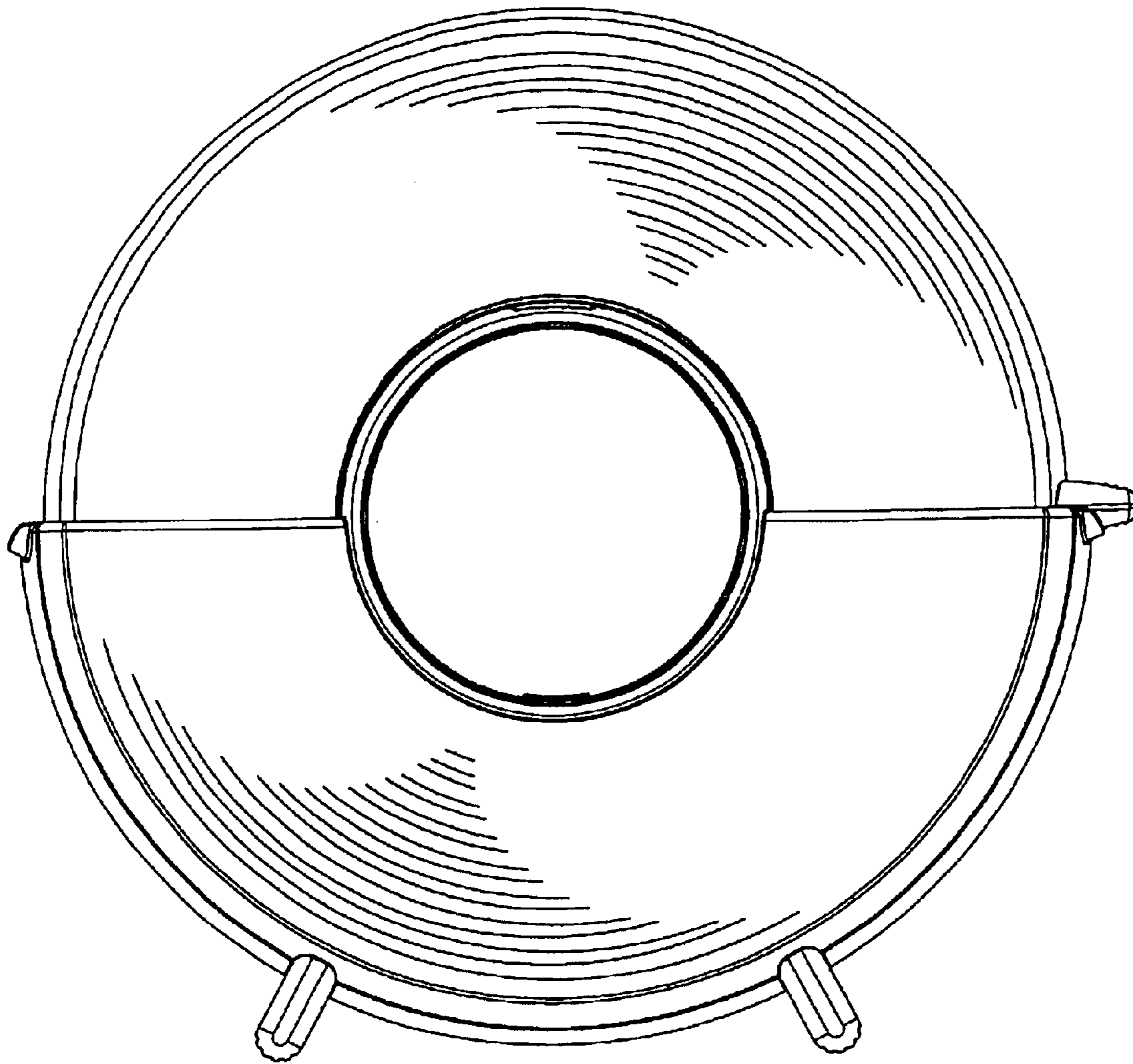


Fig. 2

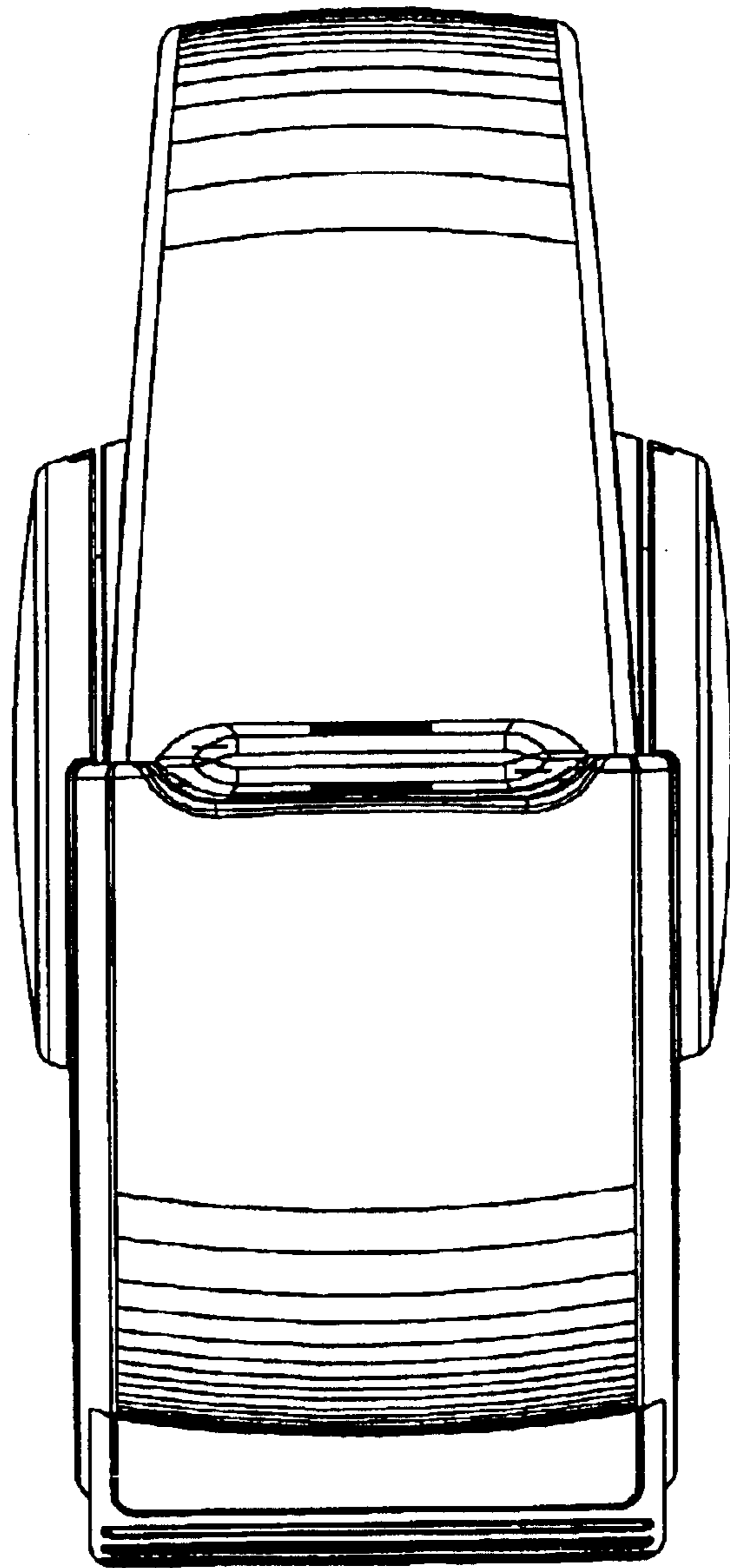


Fig. 3

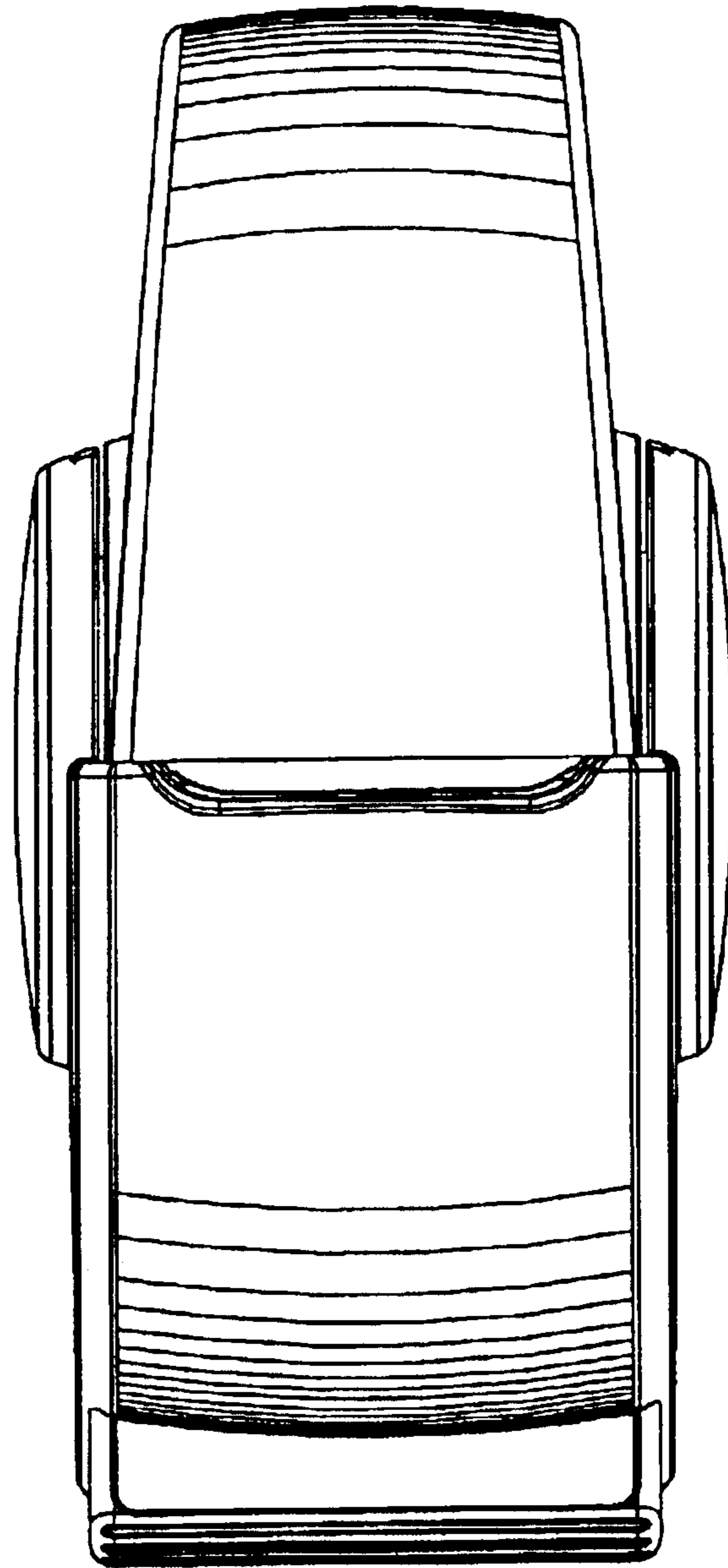


Fig. 4

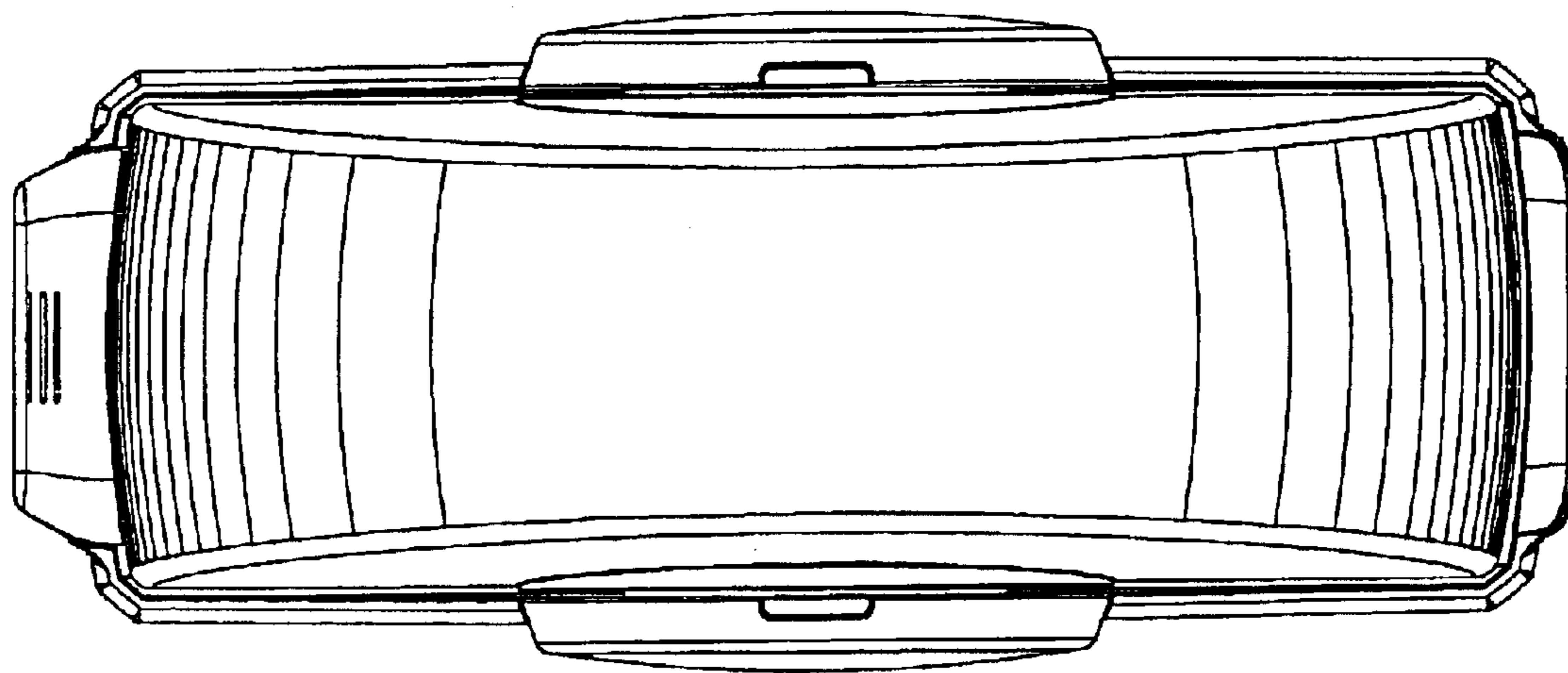


Fig. 5

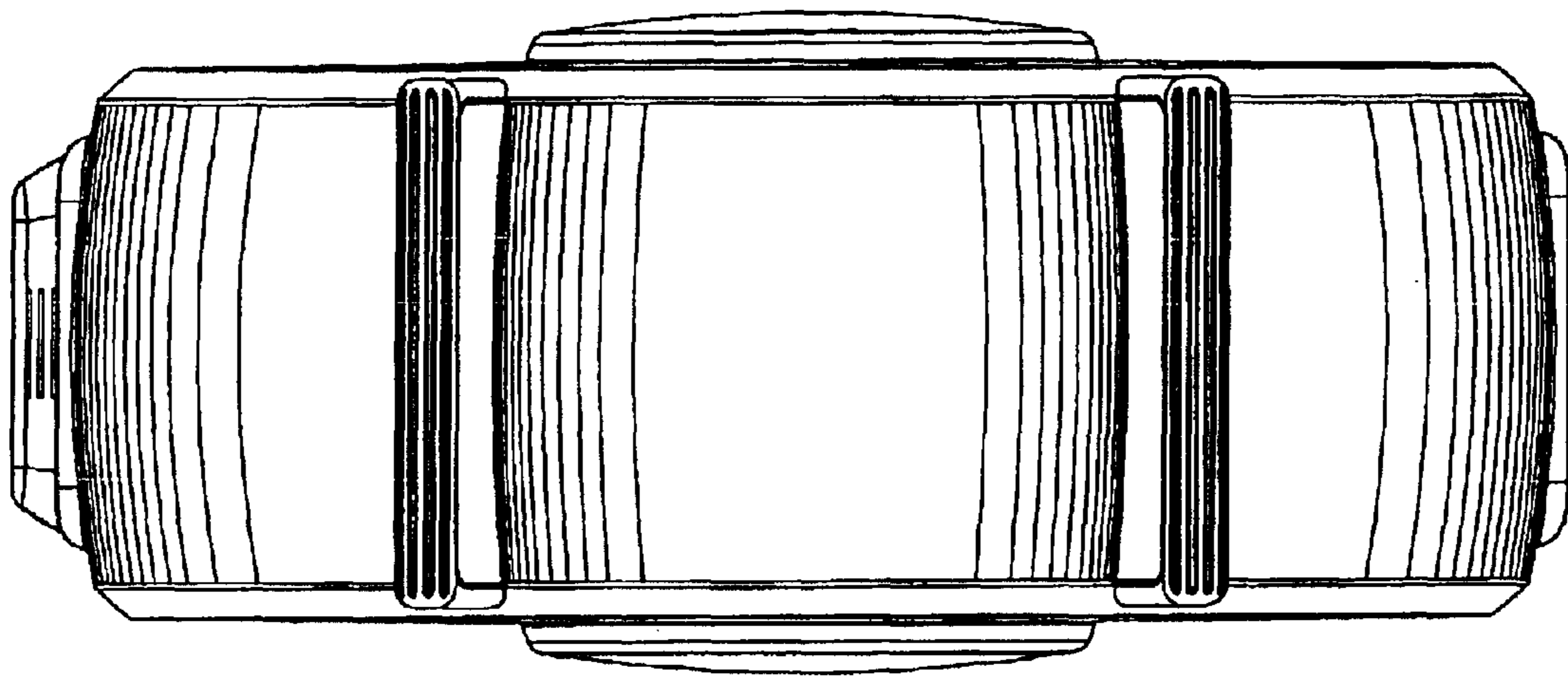


Fig. 6

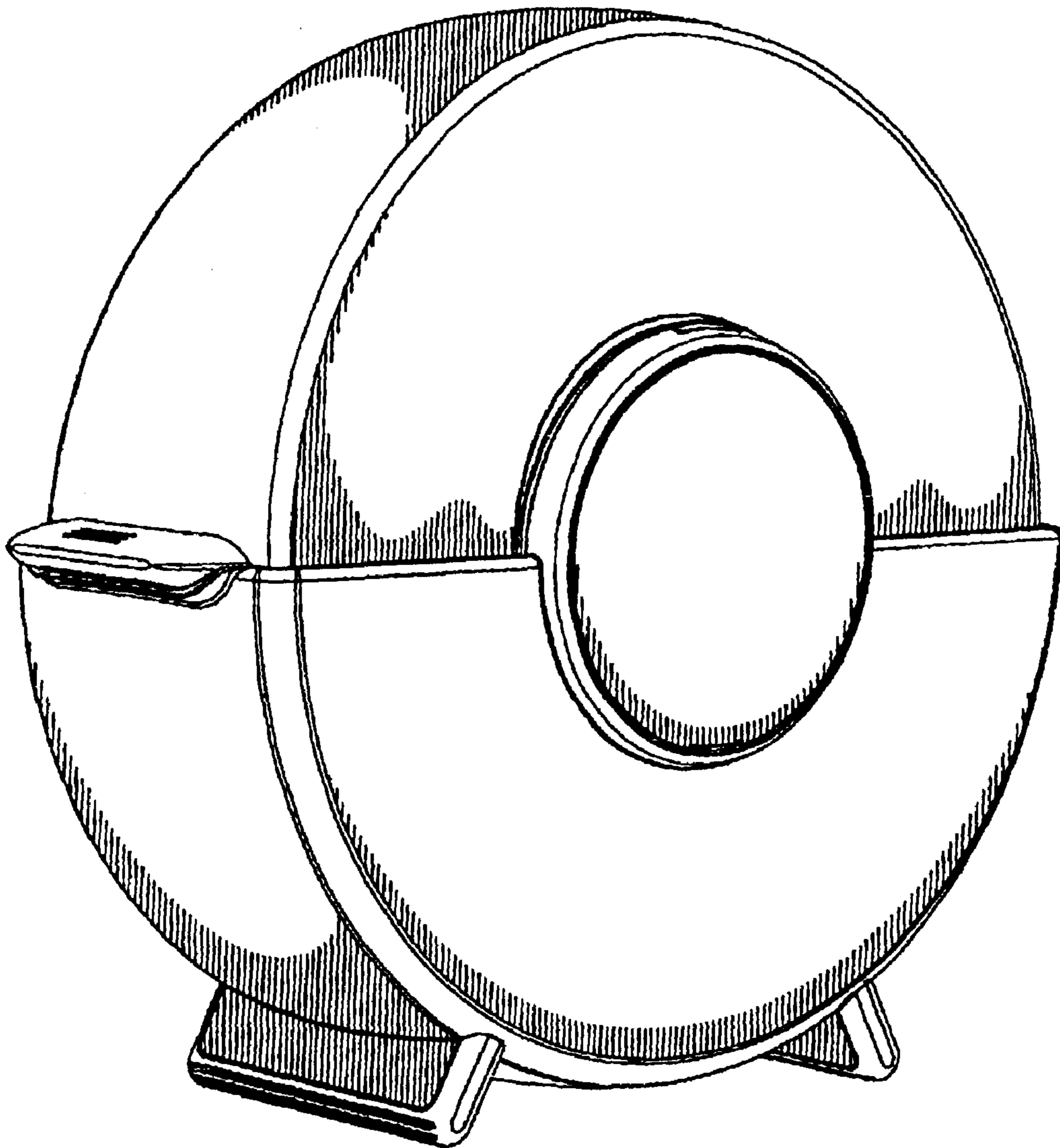


Fig. 7