

US00D501102S

(12) **United States Design Patent** (10) **Patent No.:** **US D501,102 S**
Day (45) **Date of Patent:** **** Jan. 25, 2005**

(54) **STORAGE UNIT ASSEMBLY** D304,981 S * 12/1989 Raskas D6/478
 4,932,522 A 6/1990 Milovich 206/308.1
 (75) Inventor: **Paul Francis Day**, Chipstead (GB) 5,685,439 A * 11/1997 Luenser 211/183
 D387,943 S 12/1997 Fink D6/630
 (73) Assignee: **Advanced Biotechnologies, Ltd.** (GB) D400,587 S 11/1998 Stravitz D19/75
 D408,654 S 4/1999 Liberto D6/457
 (**) Term: **14 Years** D419,026 S 1/2000 Hori et al. D6/630
 D450,971 S 11/2001 Lee D6/630

(21) Appl. No.: **29/172,655**

* cited by examiner

(22) Filed: **Dec. 16, 2002**

Primary Examiner—Cathron Brooks

Related U.S. Application Data

(74) *Attorney, Agent, or Firm*—Wood, Herron & Evans LLP

(62) Division of application No. 29/141,553, filed on May 8, 2001, now Pat. No. Des. 477,726.

(57) **CLAIM**

(30) **Foreign Application Priority Data**

The ornamental design for a storage unit assembly, as shown and described.

Nov. 9, 2000 (GB) 2097228

DESCRIPTION

(51) **LOC (7) Cl.** **06-04**
 (52) **U.S. Cl.** **D6/479; D6/468**
 (58) **Field of Search** D6/407, 630, 631,
 D6/632, 627, 628, 629, 445, 446, 449,
 455, 457, 467, 468, 479; 211/13.1, 49.1,
 50, 58, 78, 85.26, 126.1, 126.14, 126.15,
 131.1, 163

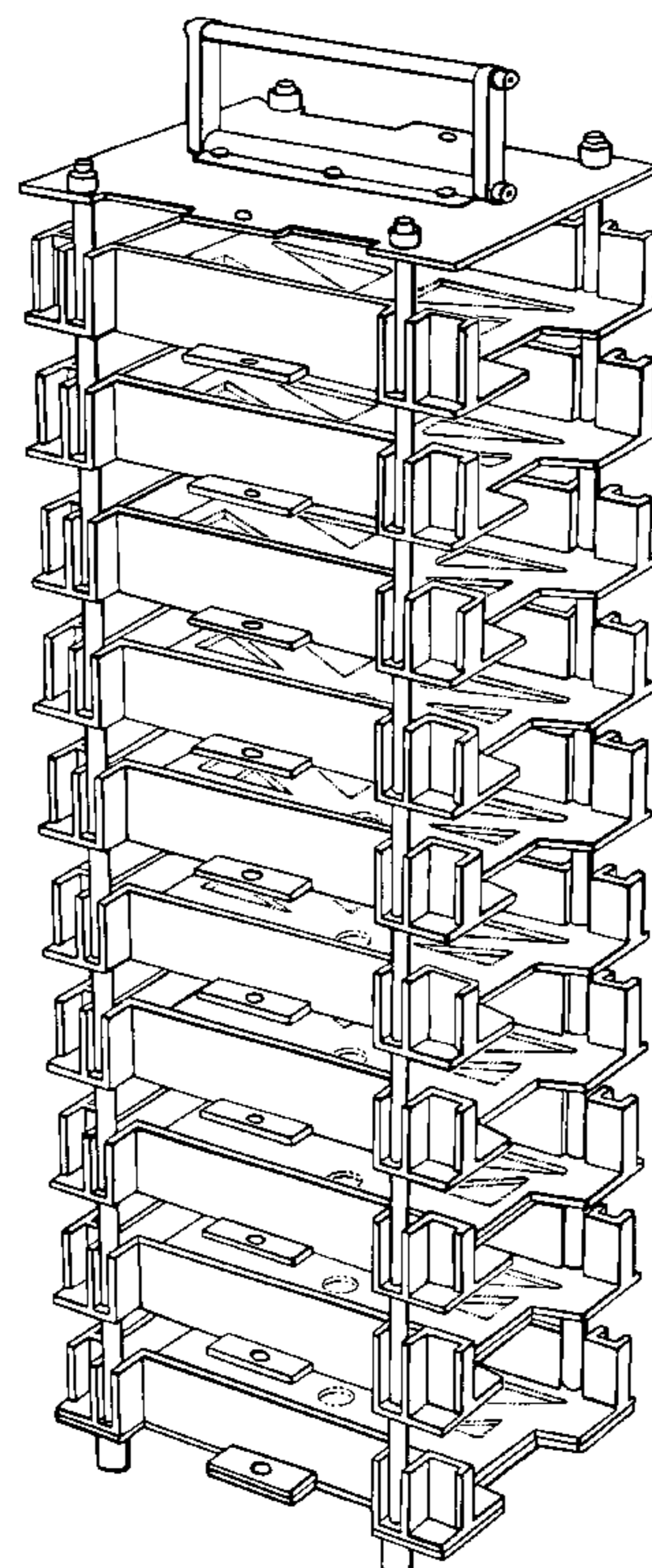
FIG. 1 is a perspective view from the top left of a storage unit assembly, comprising plural spaced-apart stacked tray modules, with the top handle extended;
 FIG. 2 is a rear perspective view of the storage unit assembly of FIG. 1, with the top handle extended;
 FIG. 3 is a side perspective view of the storage unit assembly of FIG. 1, with the right-side elevational view being a mirror image thereof; and,
 FIG. 4 is a top plan view thereof.
 The broken lines shown are for illustrative purposes only and form no part of the claimed design.

(56) **References Cited**

U.S. PATENT DOCUMENTS

954,793 A 4/1910 Graham 211/39
 3,069,213 A 12/1962 Azzarri 312/9.48
 4,531,645 A * 7/1985 Tisbo et al. 211/131.1

1 Claim, 3 Drawing Sheets



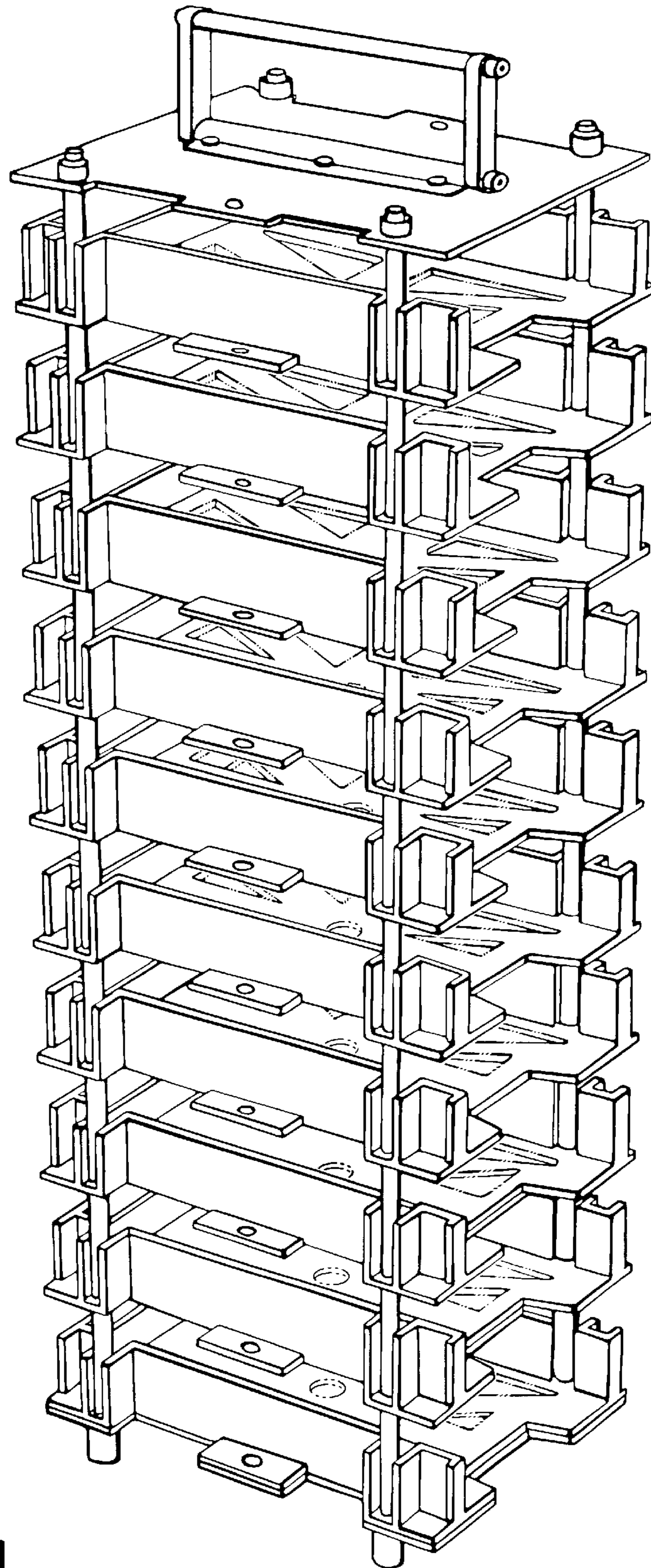


FIG. 1

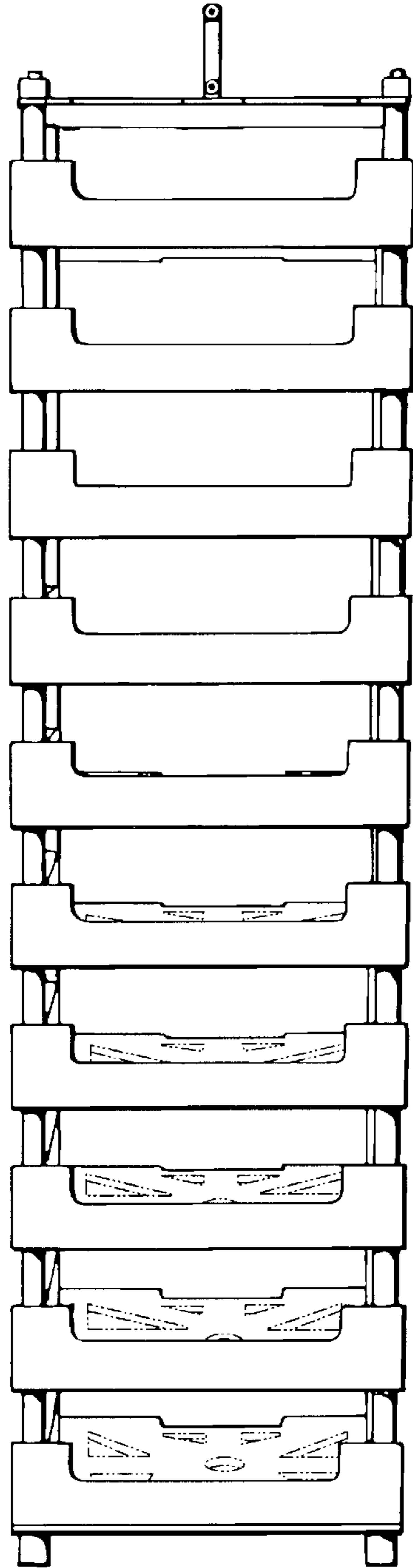


FIG. 2

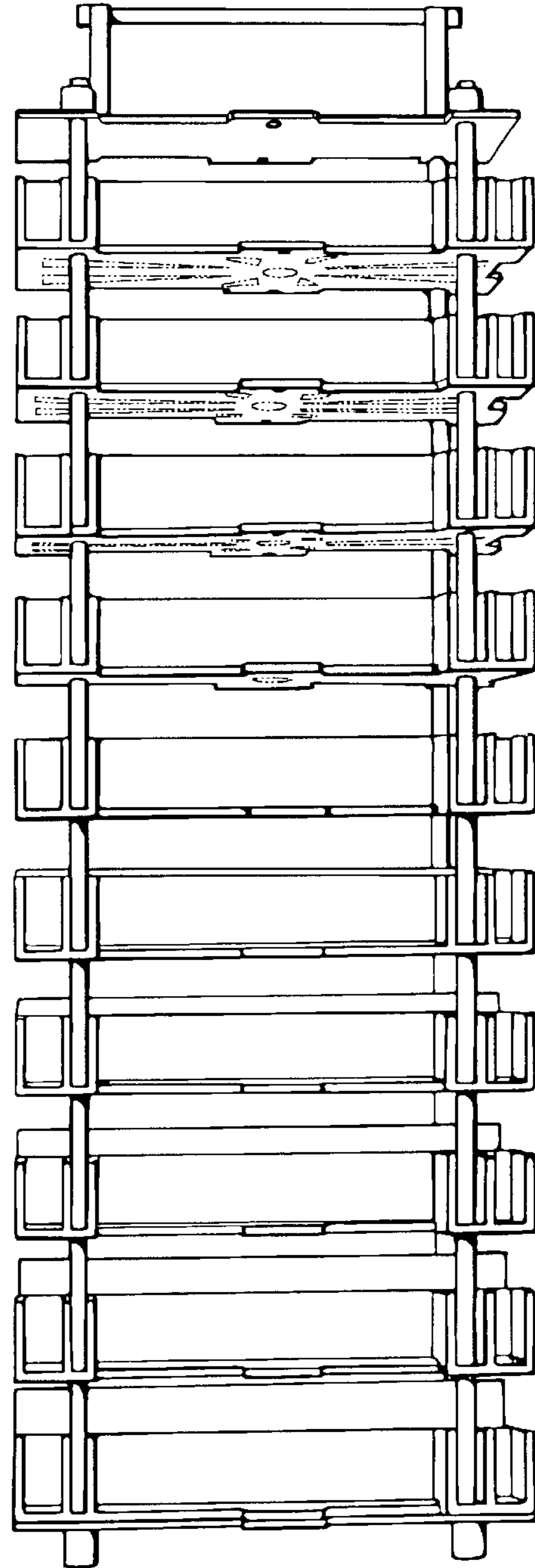


FIG. 3

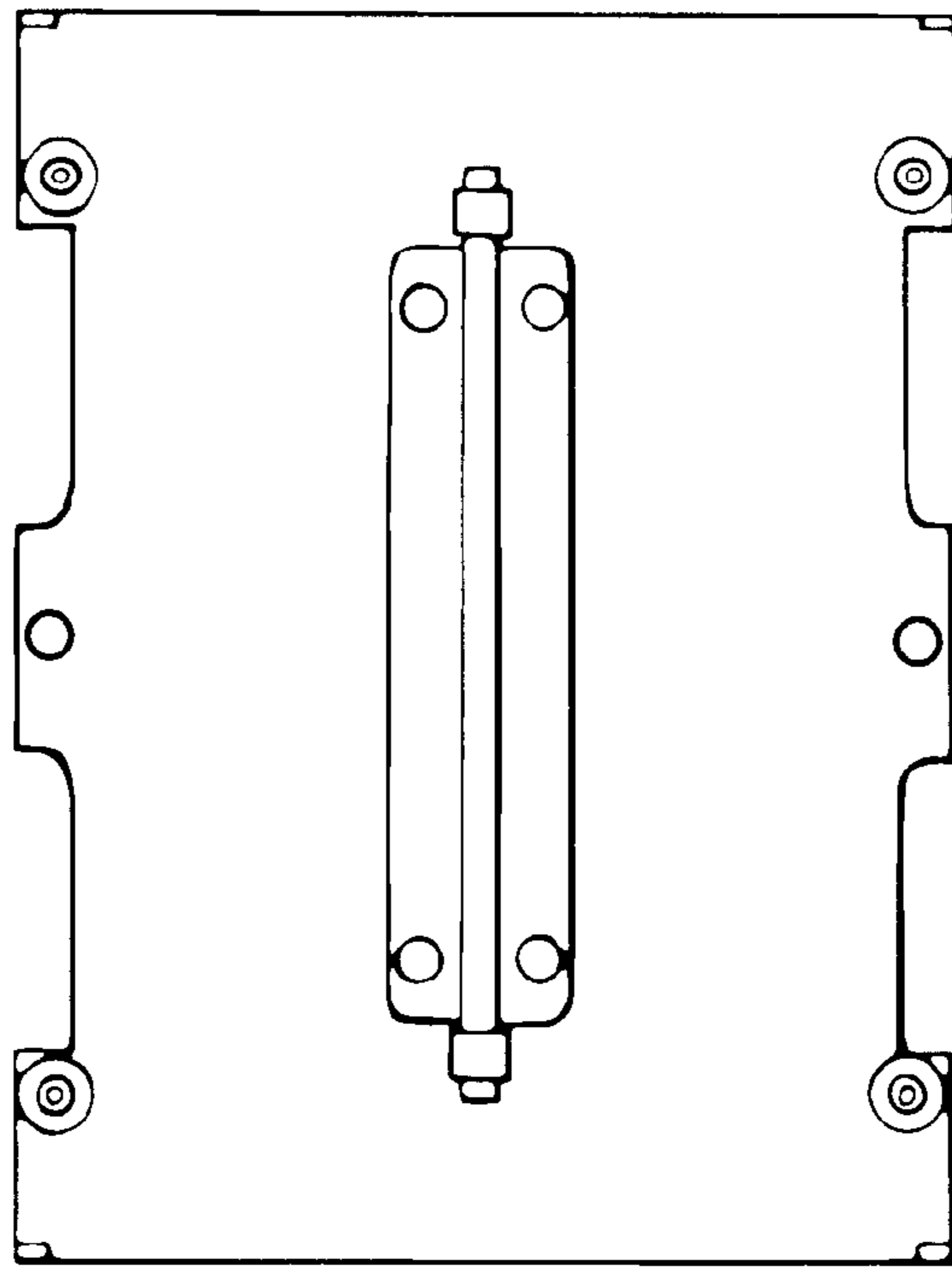


FIG. 4