

US00D501097S

(12) **United States Design Patent**
Bruning

(10) **Patent No.:** **US D501,097 S**
(45) **Date of Patent:** **** Jan. 25, 2005**

(54) **RECLINING CHAIR BODY**

(75) Inventor: **Jürgen Bruning**, Ohrdruf (DE)

(73) Assignee: **Kruse Polstermotel System GmbH & Co. KG**, Schortens (DE)

(**) Term: **14 Years**

(21) Appl. No.: **29/171,167**

(22) Filed: **Nov. 18, 2002**

(30) **Foreign Application Priority Data**

May 22, 2002 (DE) 402 04 411

(51) **LOC (7) Cl.** **06-01**

(52) **U.S. Cl.** **D6/367**

(58) **Field of Search** D6/334, 335, 360,
D6/361, 367, 374, 375, 379, 500-502;
297/68, 83, 423.1, 423.2

(56) **References Cited**

U.S. PATENT DOCUMENTS

D433,243 S	*	11/2000	Garcia	D6/360
D447,348 S	*	9/2001	Kobayashi et al.	D6/335
D456,621 S	*	5/2002	Antunes et al.	D6/335
D462,183 S	*	9/2002	Canto Garcia	D6/335
D462,190 S	*	9/2002	Garcia	D6/367
D471,372 S	*	3/2003	Inada et al.	D6/367

* cited by examiner

Primary Examiner—Mimosa De

(74) *Attorney, Agent, or Firm*—Nils H. Ljungman & Associates

(57) **CLAIM**

The ornamental design for a reclining chair body, as shown and described.

DESCRIPTION

FIG. 1 is a left front perspective view of the reclining chair body showing my new design;

FIG. 2 is a right front perspective view thereof;

FIG. 3 is another right front perspective view thereof with the head rest portion slightly tilted forward;

FIG. 4 is a right perspective view thereof in a reclined position;

FIG. 5 is a right rear perspective view thereof in a reclined position;

FIG. 6 is a right perspective view thereof in an alternate position;

FIG. 7 is a rear view thereof;

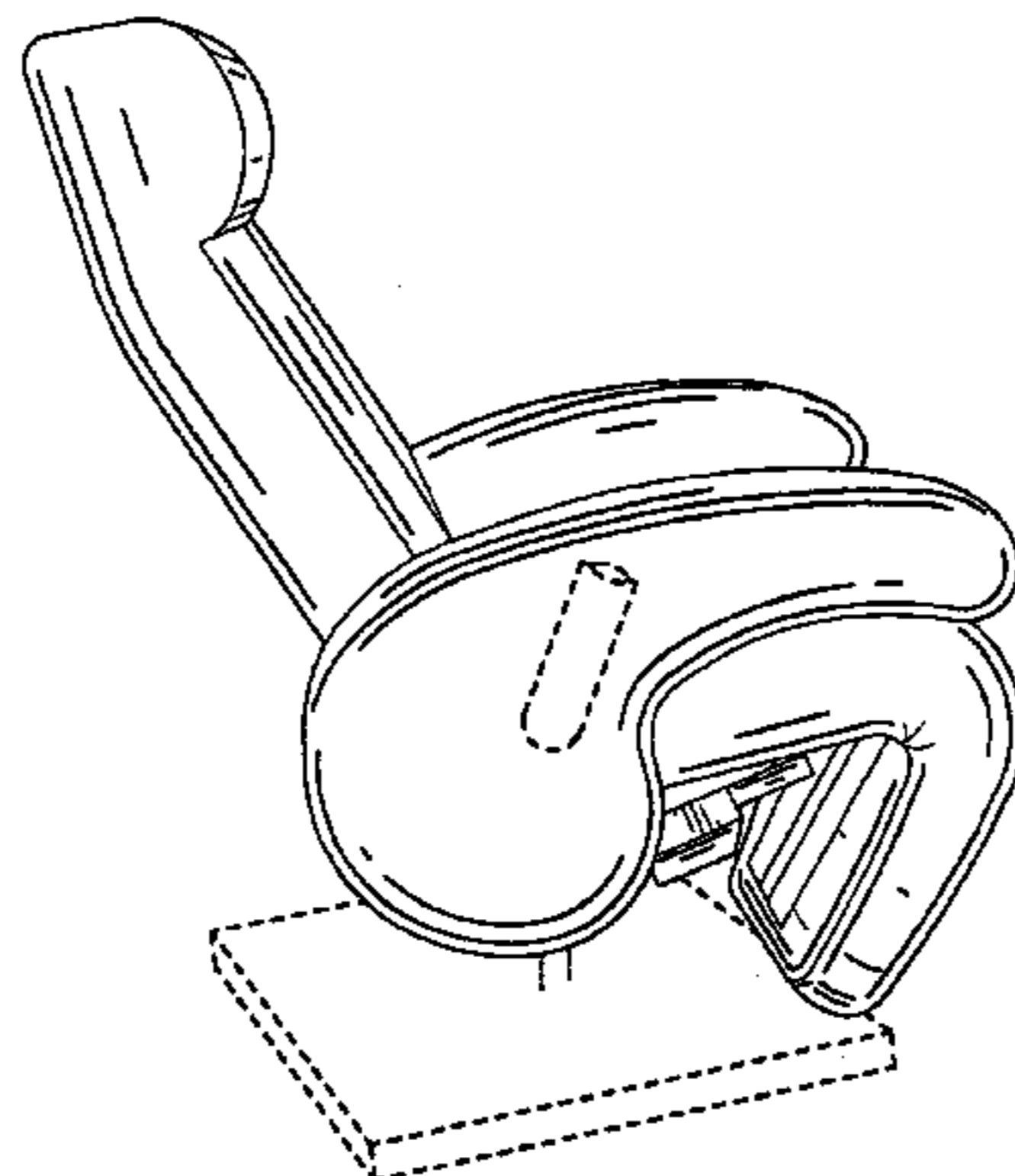
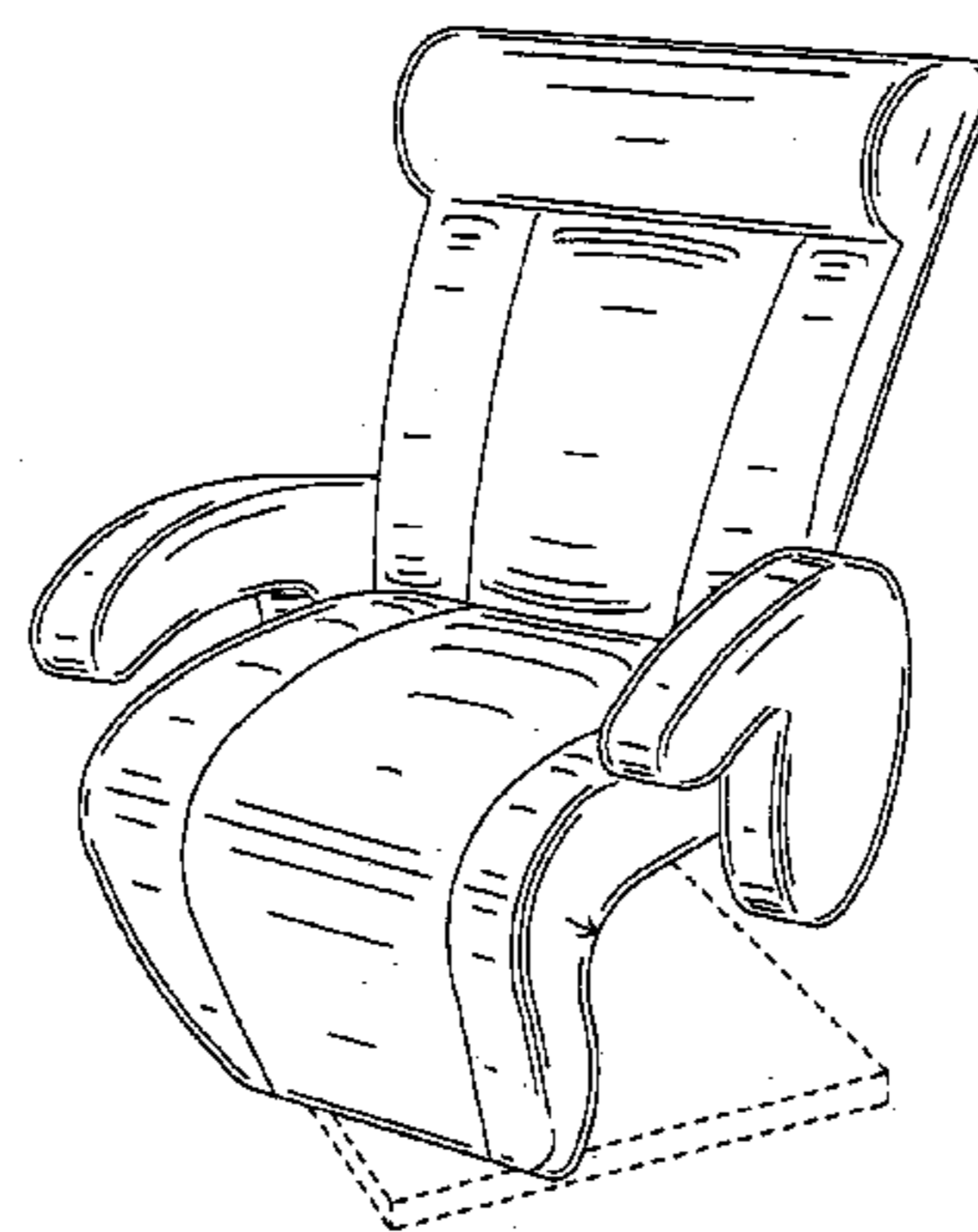
FIG. 8 is a right perspective view thereof;

FIG. 9 is a another right perspective view thereof showing alternative environment;

FIG. 10 is a right perspective view thereof of FIG. 9; and, FIG. 11 is a front view thereof.

The broken line showing of the base in FIGS. 1-11 and the remote control in FIGS. 9 and 10 is for illustrative purposes only and forms no part of the claimed design.

1 Claim, 11 Drawing Sheets



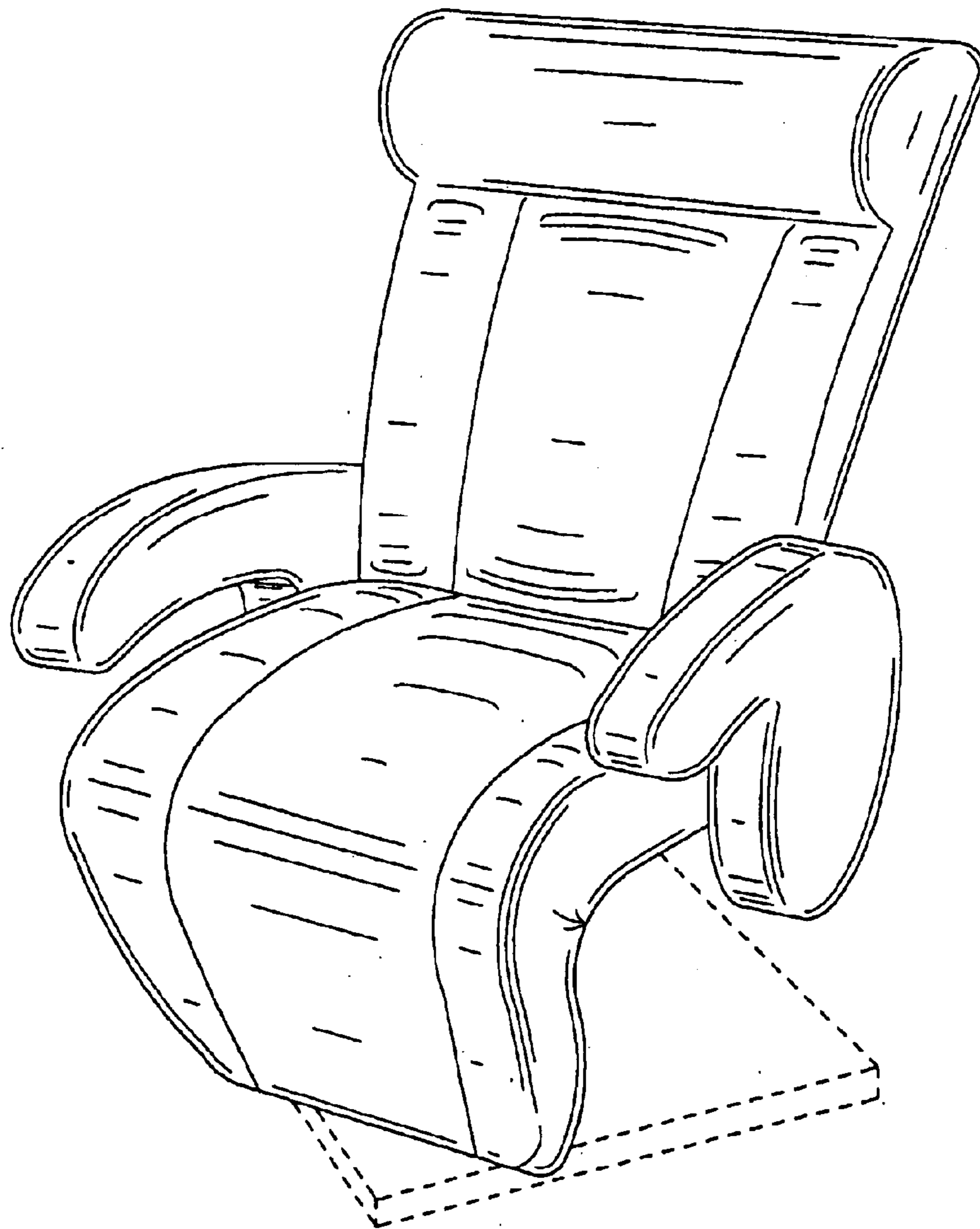


FIG. 1

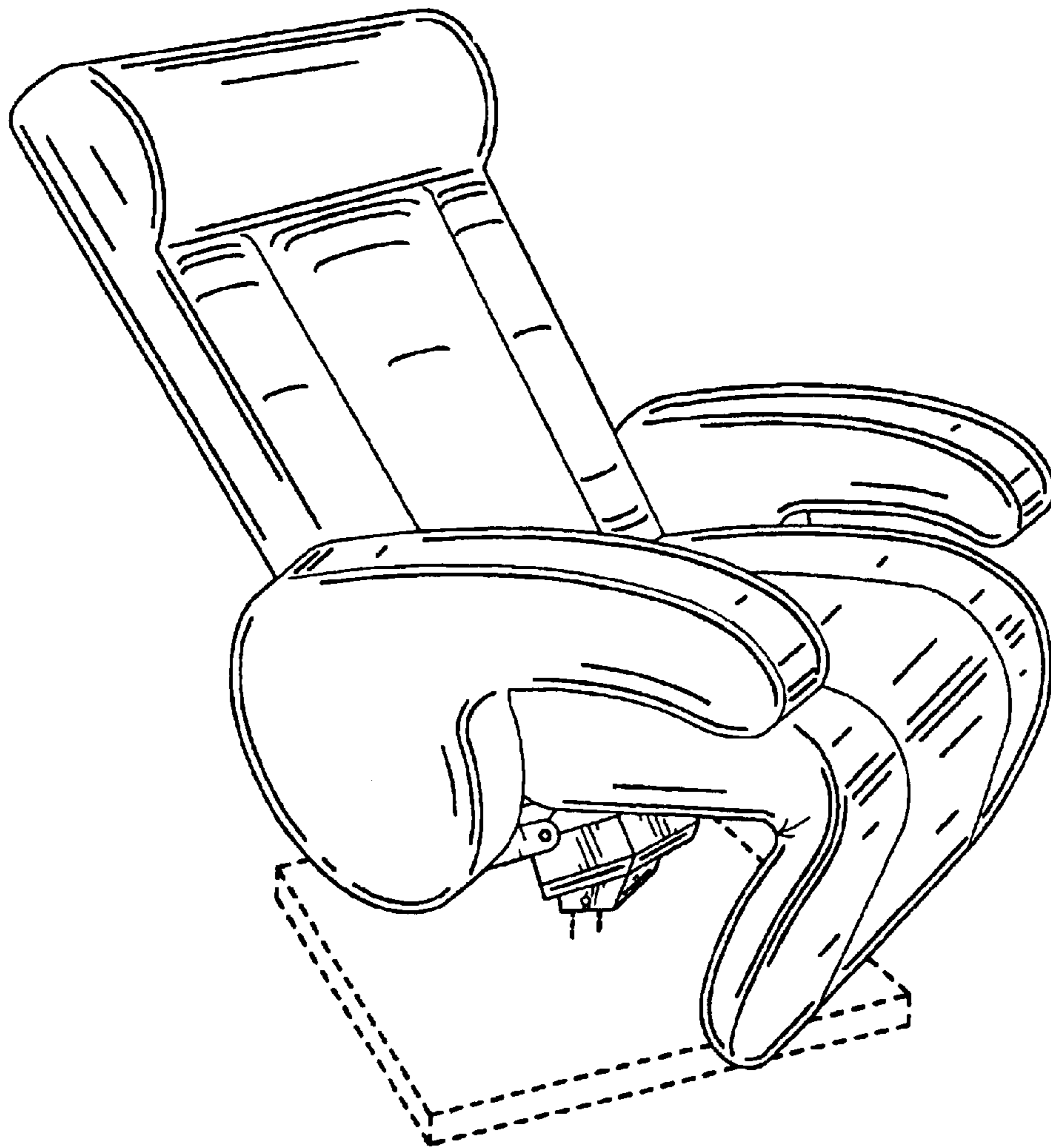


FIG. 2

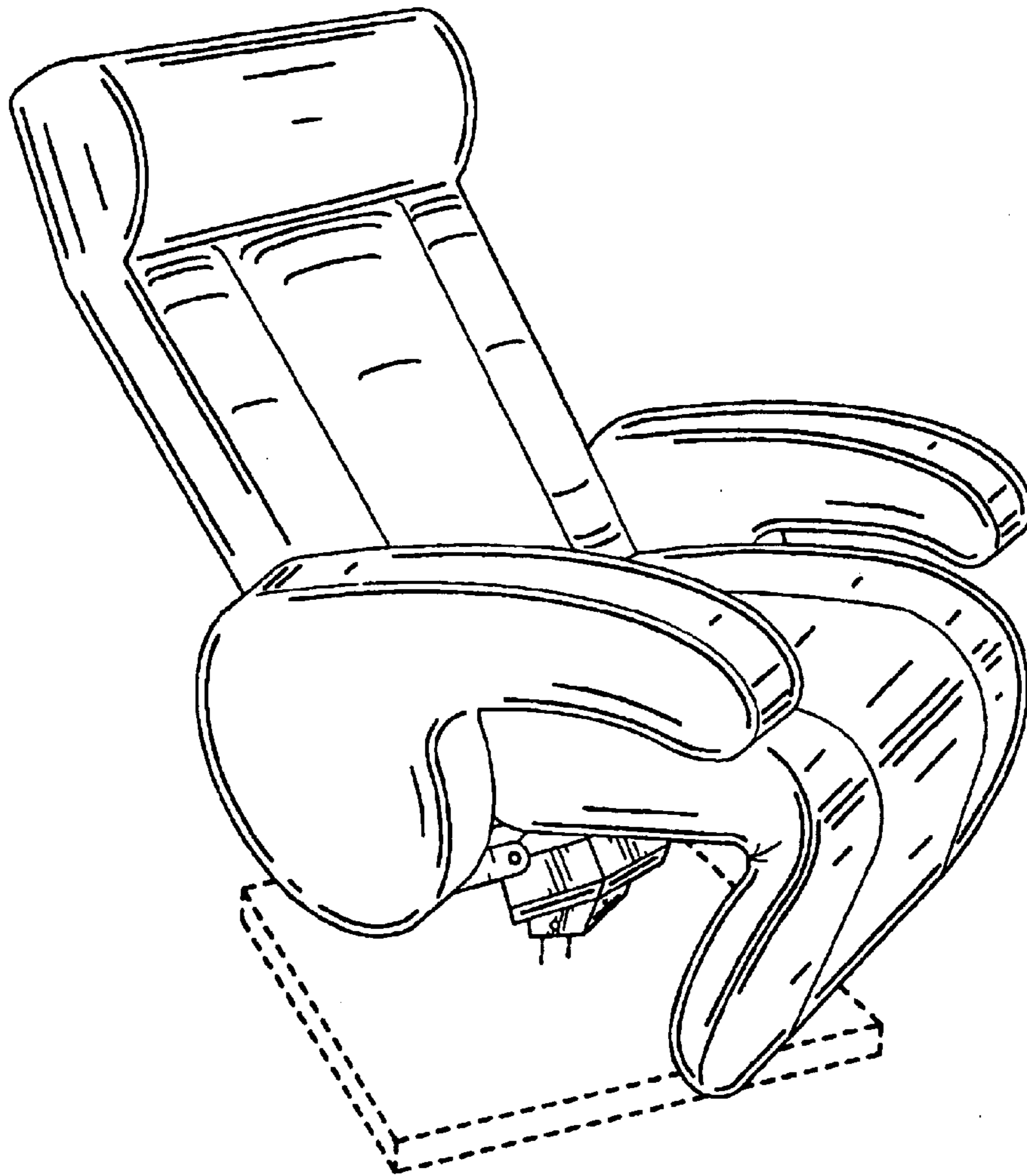


FIG. 3

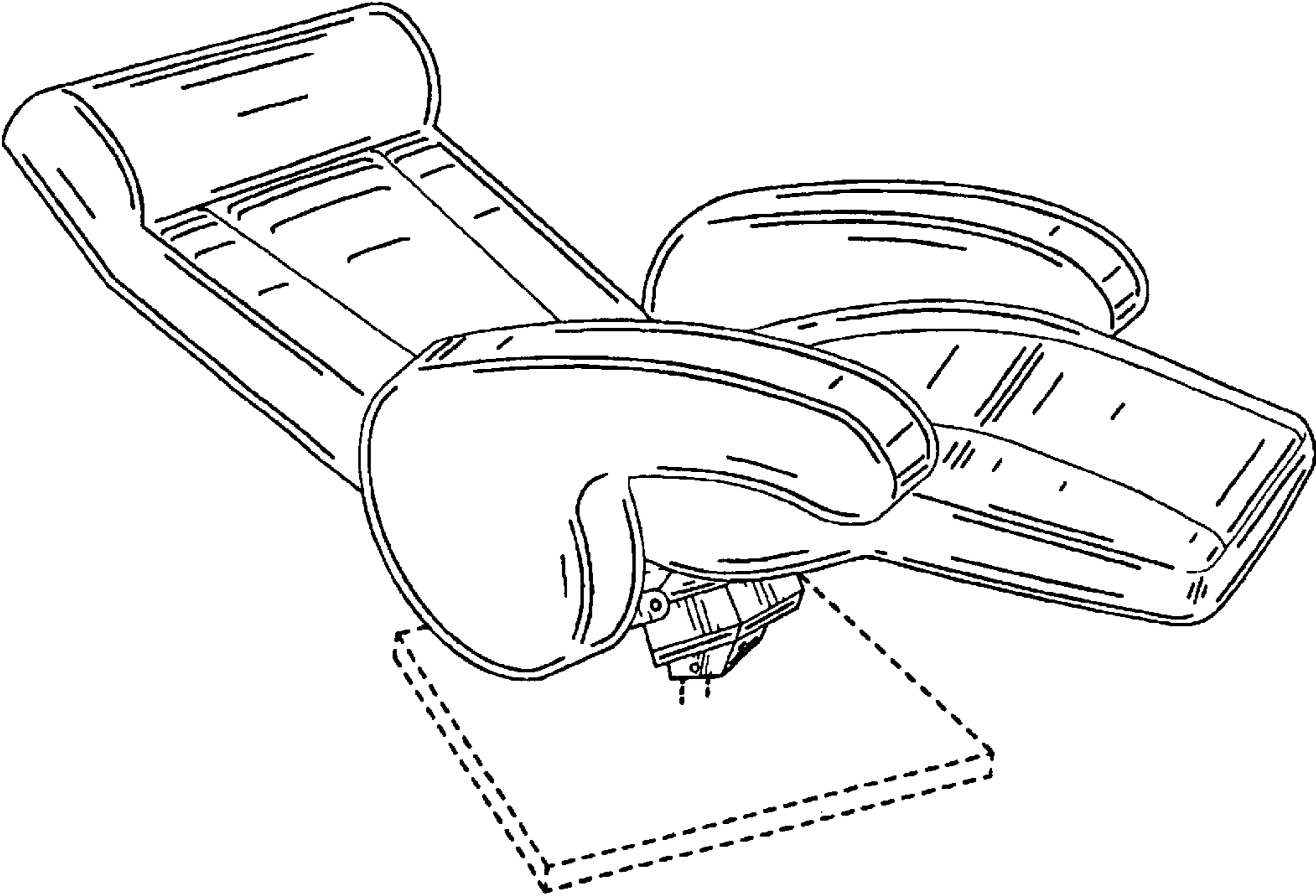


FIG. 4

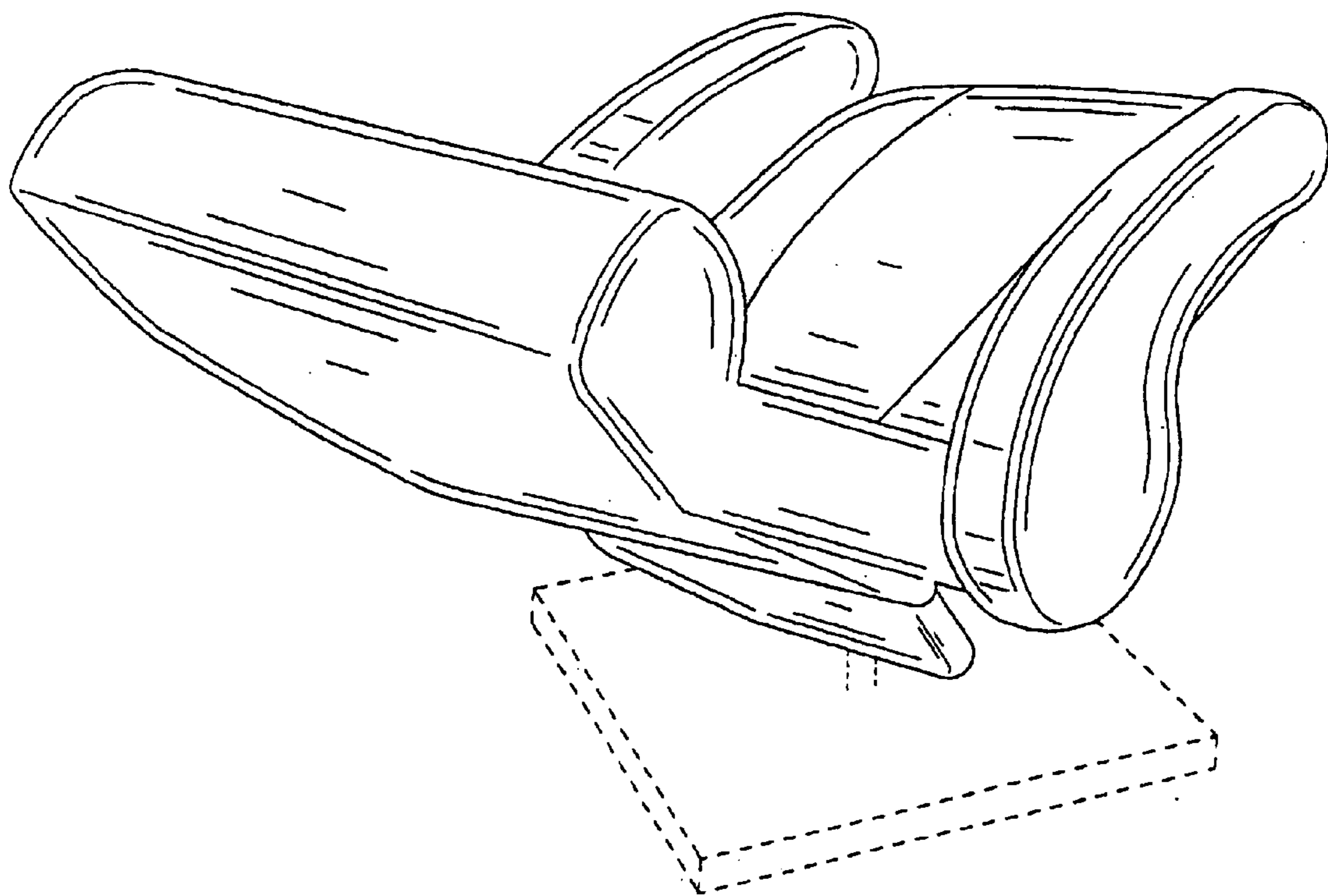


FIG. 5

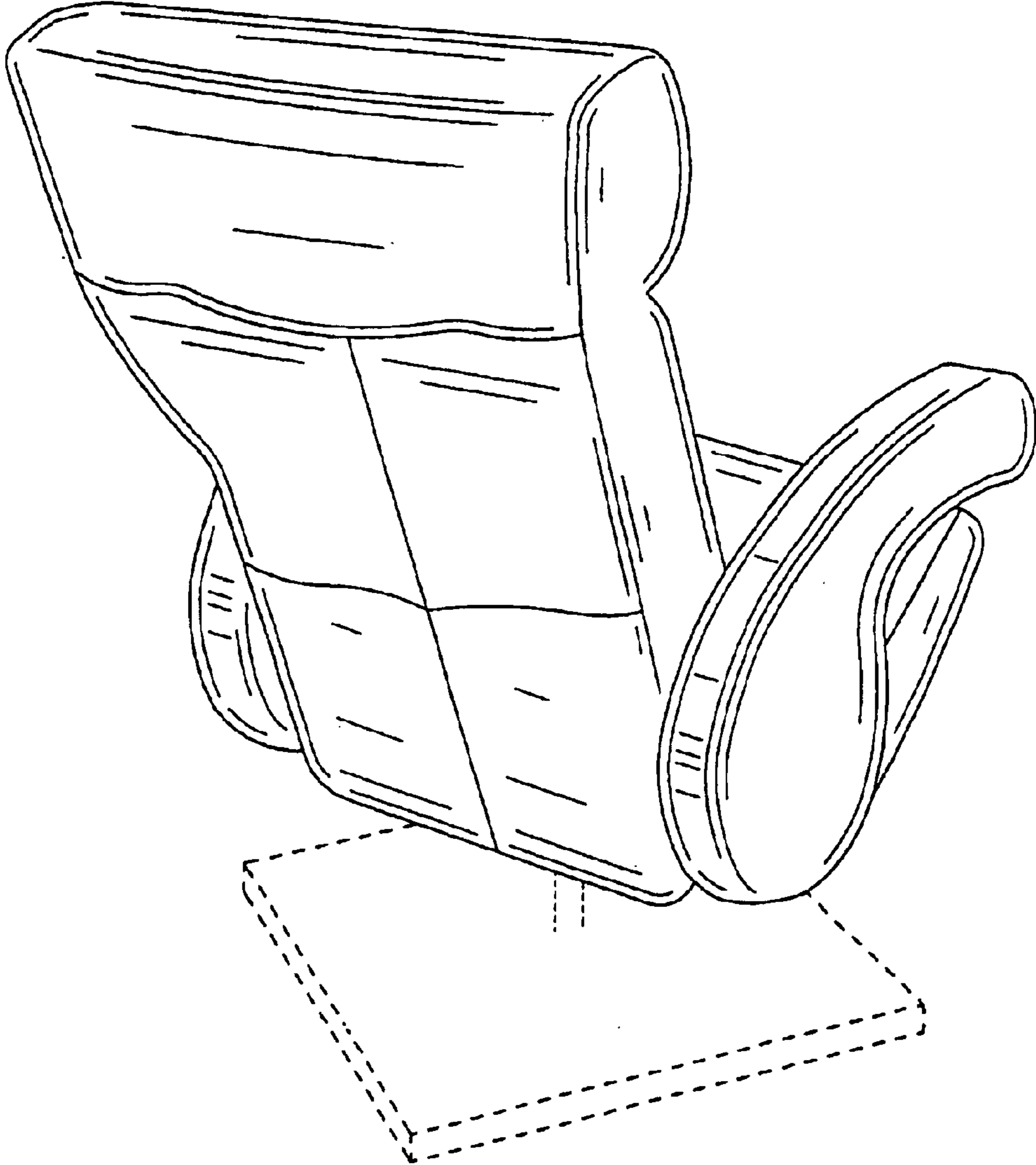


FIG. 6

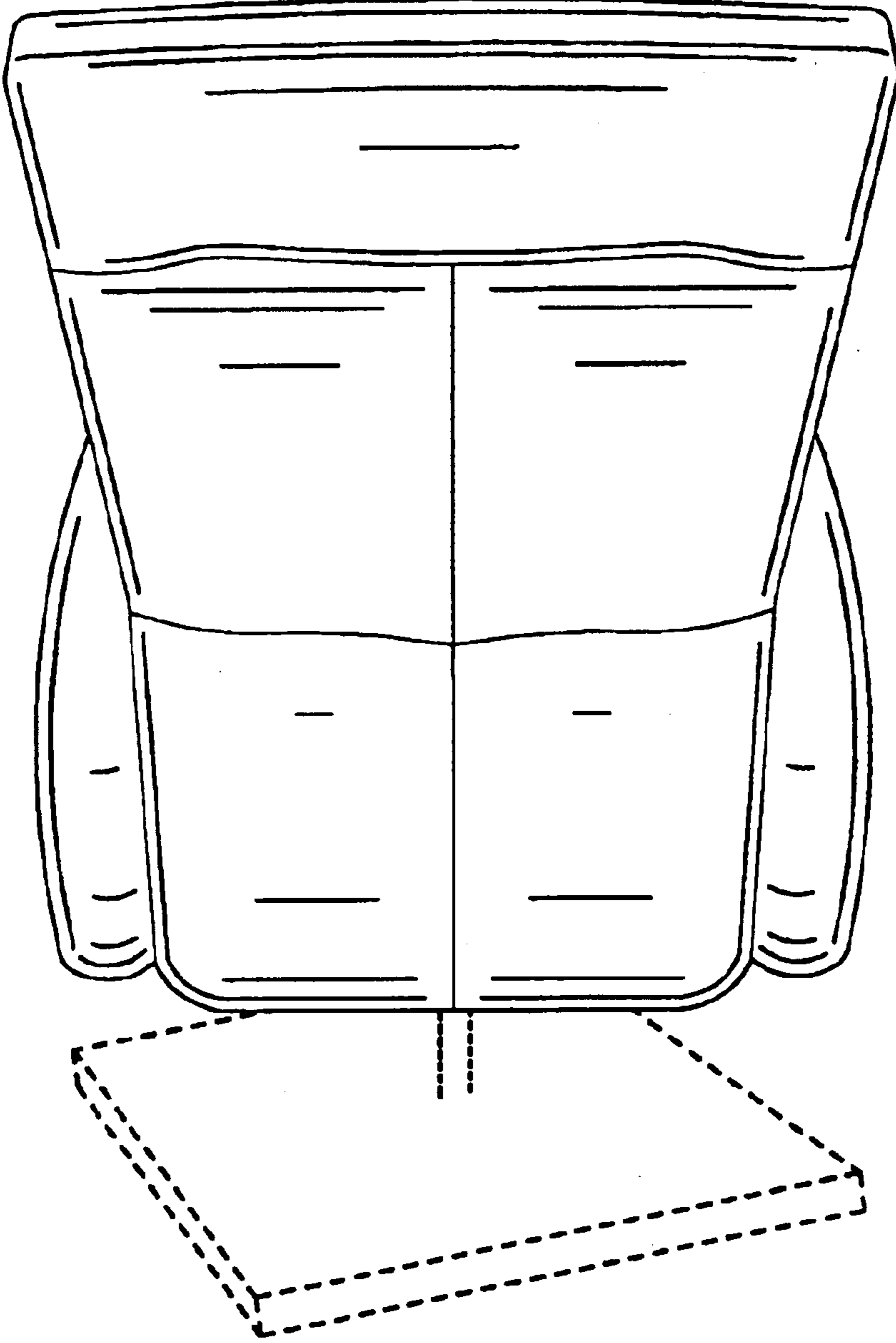


FIG. 7

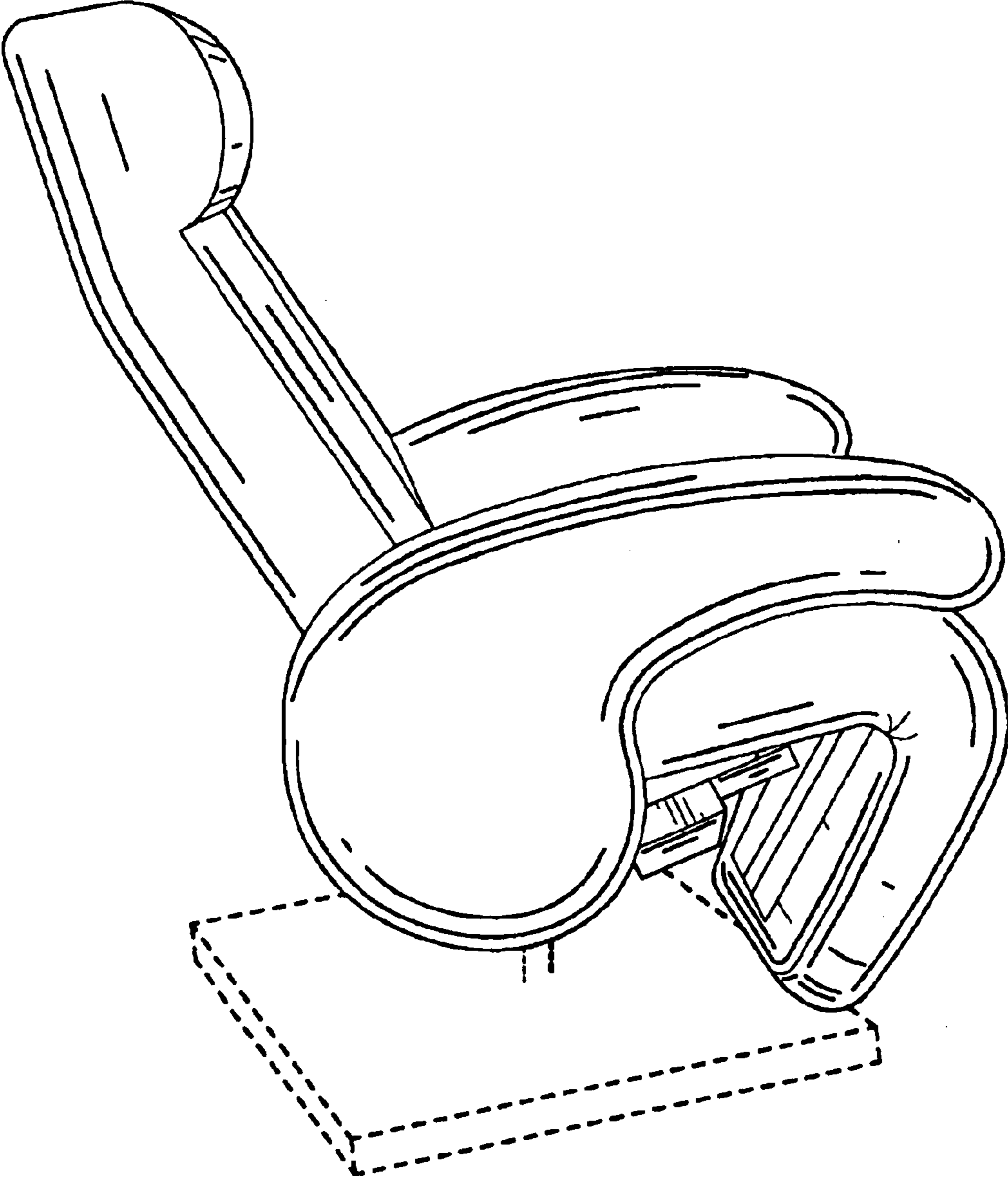


FIG. 8

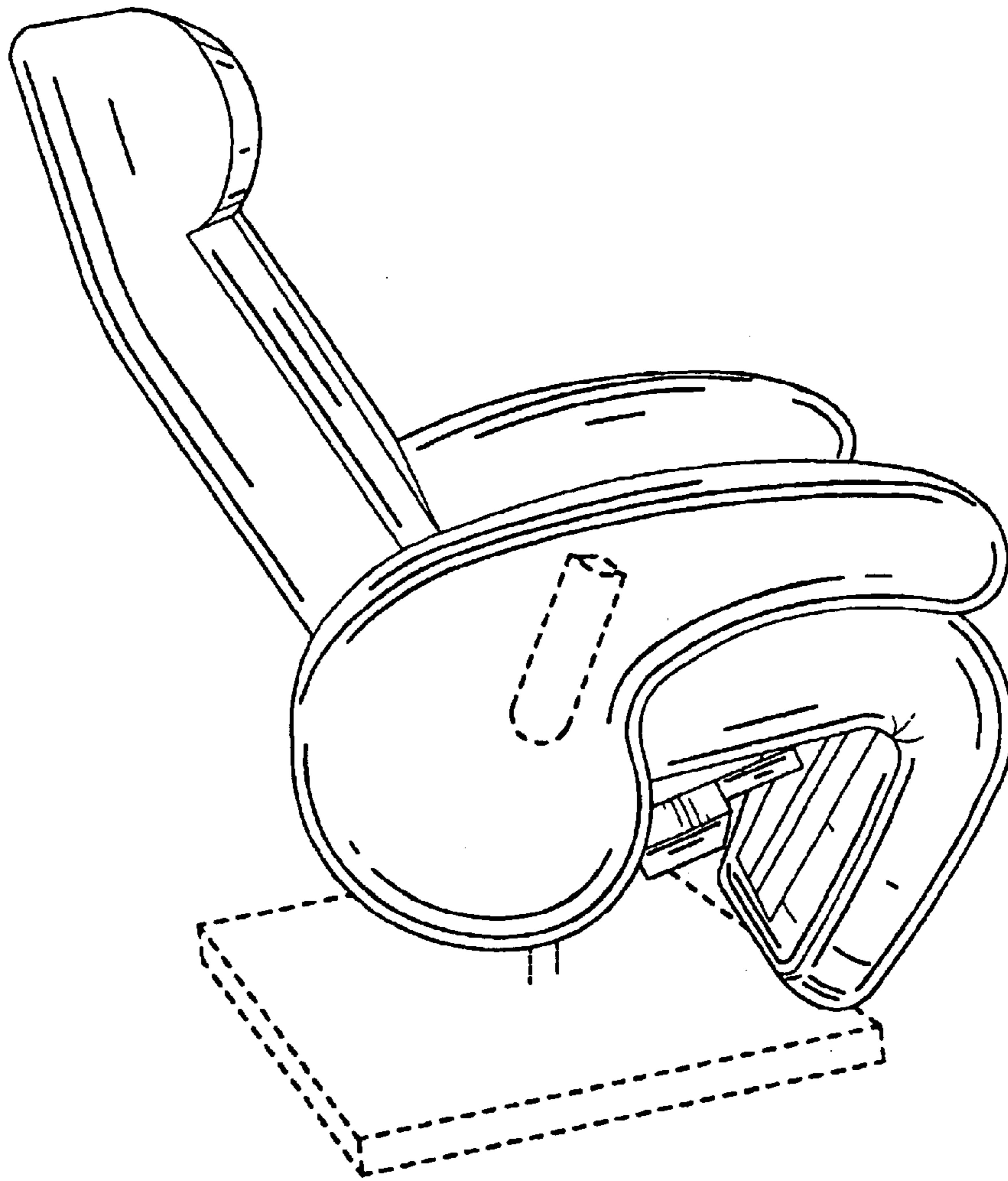


FIG. 9

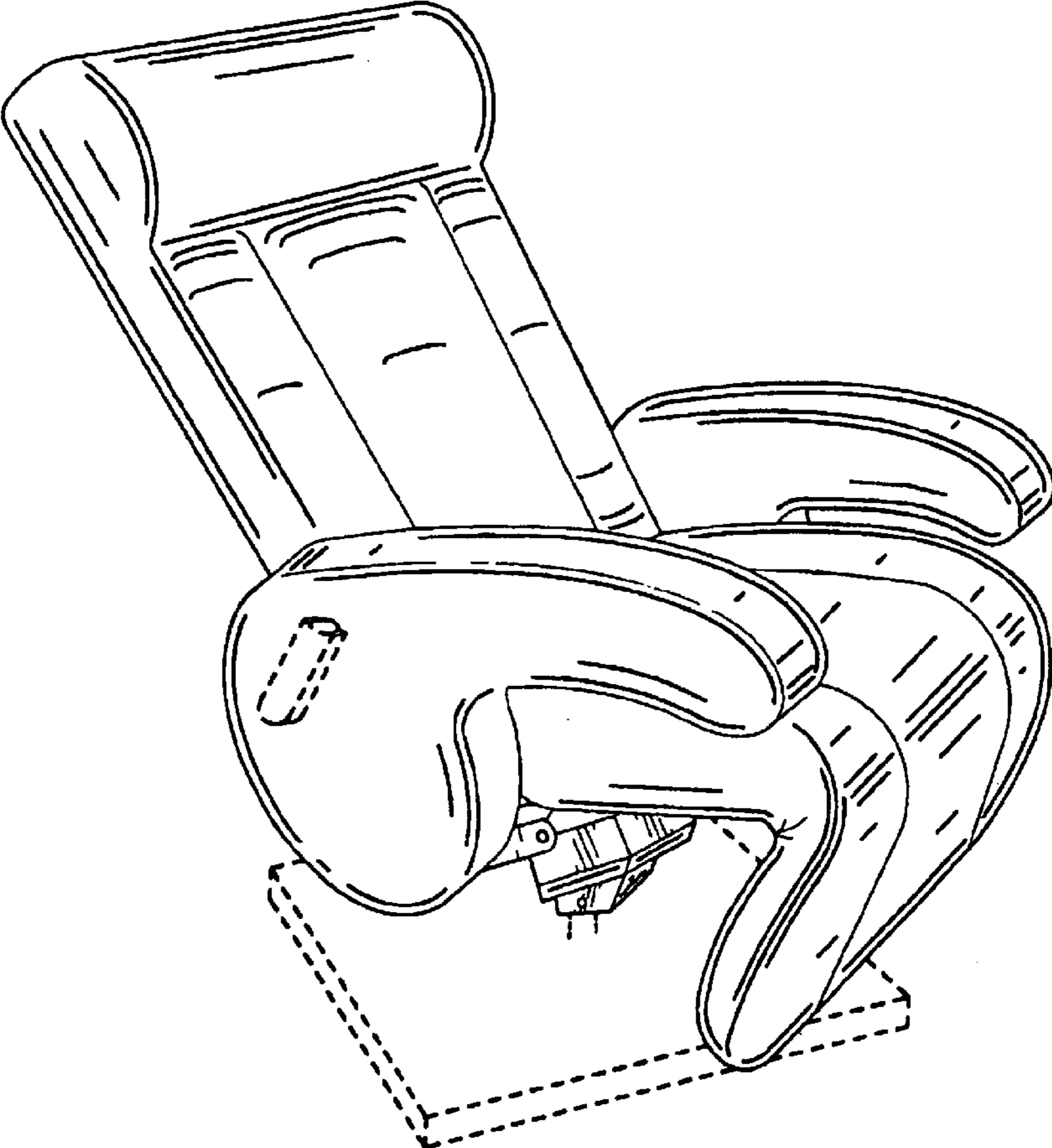


FIG. 10

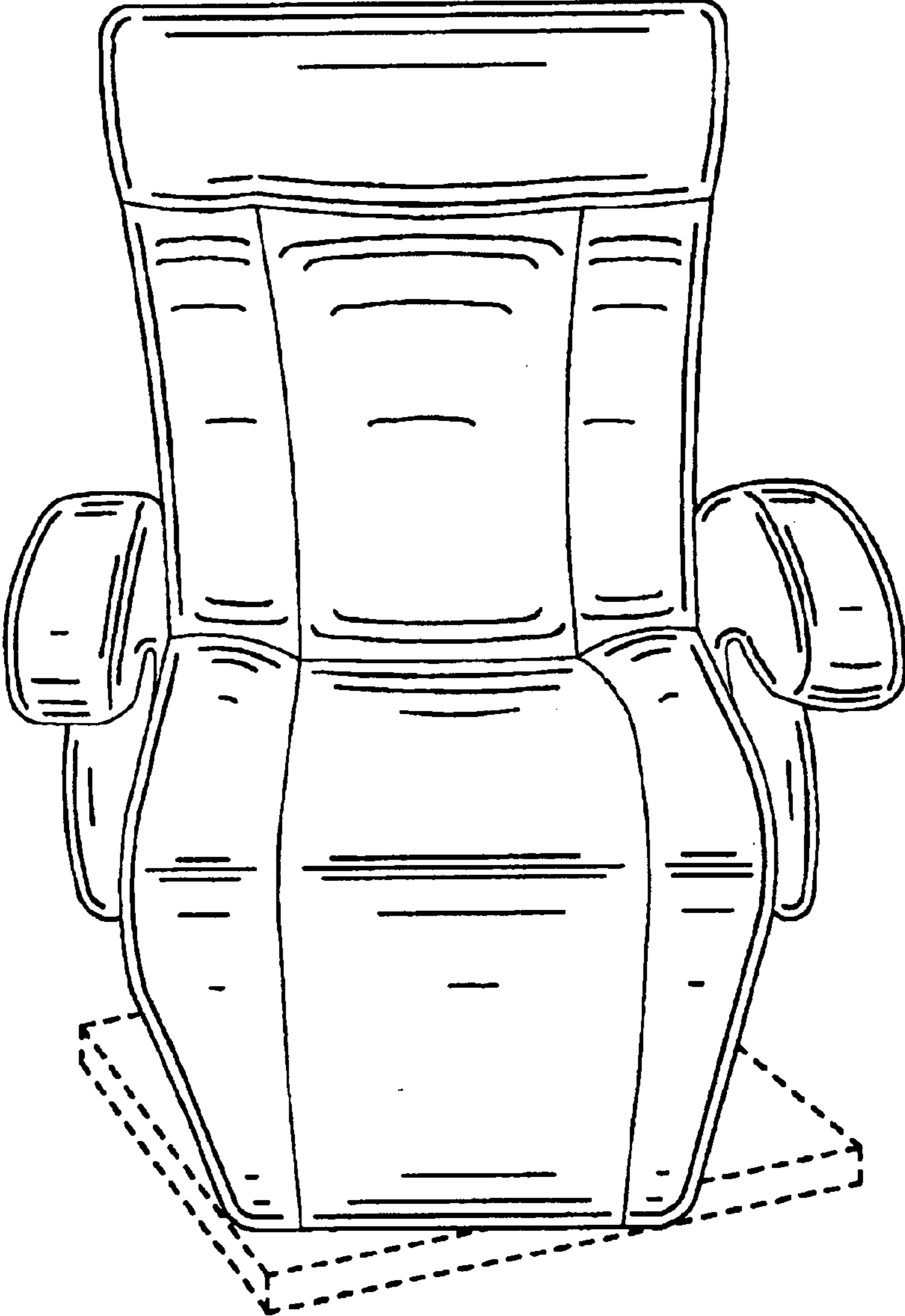


FIG. 11