

US00D501094S

(12) **United States Design Patent**
Hendricks

(10) **Patent No.: US D501,094 S**

(45) **Date of Patent: ** Jan. 25, 2005**

- (54) **PINCH GRIP HANGER**
- (76) Inventor: **Robert A. Hendricks**, 2978 Highway 5, Douglasville, GA (US) 30135
- (**) Term: **14 Years**
- (21) Appl. No.: **29/171,750**
- (22) Filed: **Nov. 27, 2002**
- (51) **LOC (7) Cl. 06-08**
- (52) **U.S. Cl. D6/326; D6/319**
- (58) **Field of Search D6/326, 315, 318, D6/319; 24/499-500, 517-518; 211/86.01, 113; 223/85, 88, 89, 90-93, 95-96, DIG. 2**

(56) **References Cited**

U.S. PATENT DOCUMENTS

648,534 A	5/1900	Seger
1,634,532 A	7/1927	Bowe
1,865,453 A	7/1932	Baltzley
2,145,120 A	1/1939	Loveless
2,212,978 A	8/1940	Deknatel
2,461,333 A	2/1949	Maccaferri
2,463,136 A	3/1949	Baer, Sr.
2,535,521 A	12/1950	Schoepfer
D171,091 S	12/1953	Karpel
2,765,487 A	10/1956	Foster
2,920,801 A	1/1960	Batts
3,137,027 A	6/1964	Birkle
3,214,810 A	11/1965	Mathison
3,292,223 A	12/1966	Esposito, Jr.
3,604,071 A	9/1971	Reimels
3,608,554 A	9/1971	McGuinness
3,698,607 A	10/1972	Batts
3,745,616 A	7/1973	Batts
3,767,092 A	10/1973	Garrison et al.
3,946,915 A	3/1976	Crane
3,982,307 A	9/1976	Smith et al.
4,192,441 A	3/1980	Batts
4,194,274 A	3/1980	Garrison
4,209,879 A	7/1980	Paajanen
4,231,500 A	11/1980	Mainetti

4,638,930 A	*	1/1987	Blanchard	223/85
D301,661 S	*	6/1989	Wilson	D6/326
5,183,191 A		2/1993	Garrison et al.		
D405,964 S		2/1999	Willinger		
5,890,634 A		4/1999	Zuckerman et al.		
D415,357 S	*	10/1999	Blanchard	D6/326
D417,557 S	*	12/1999	Blanchard	D6/326
6,021,933 A		2/2000	Zuckerman		
6,047,868 A		4/2000	Petrou et al.		
D424,817 S	*	5/2000	Morgan et al.	D6/328
6,105,836 A		8/2000	Batts et al.		
6,119,906 A		9/2000	Bond et al.		
D433,822 S		11/2000	Sullivan		
D435,173 S		12/2000	Morgan et al.		
D439,419 S		3/2001	Zuckerman		
D440,409 S	*	4/2001	Blanchard	D6/326
6,382,479 B2		5/2002	Zuckerman		
D464,814 S	*	10/2002	De Winter et al.	D6/328
6,474,517 B1	*	11/2002	Sutton	223/96
D472,062 S	*	3/2003	Yegavian et al.	D6/326
2001/0015362 A1		8/2001	Zuckerman		
2002/0060231 A1		5/2002	Mainetti		
2003/0209577 A1	*	11/2003	Gouldson et al.	223/85

* cited by examiner

Primary Examiner—Philip S. Hyder
Assistant Examiner—Daniel Bui
(74) *Attorney, Agent, or Firm*—Goldman IP Law

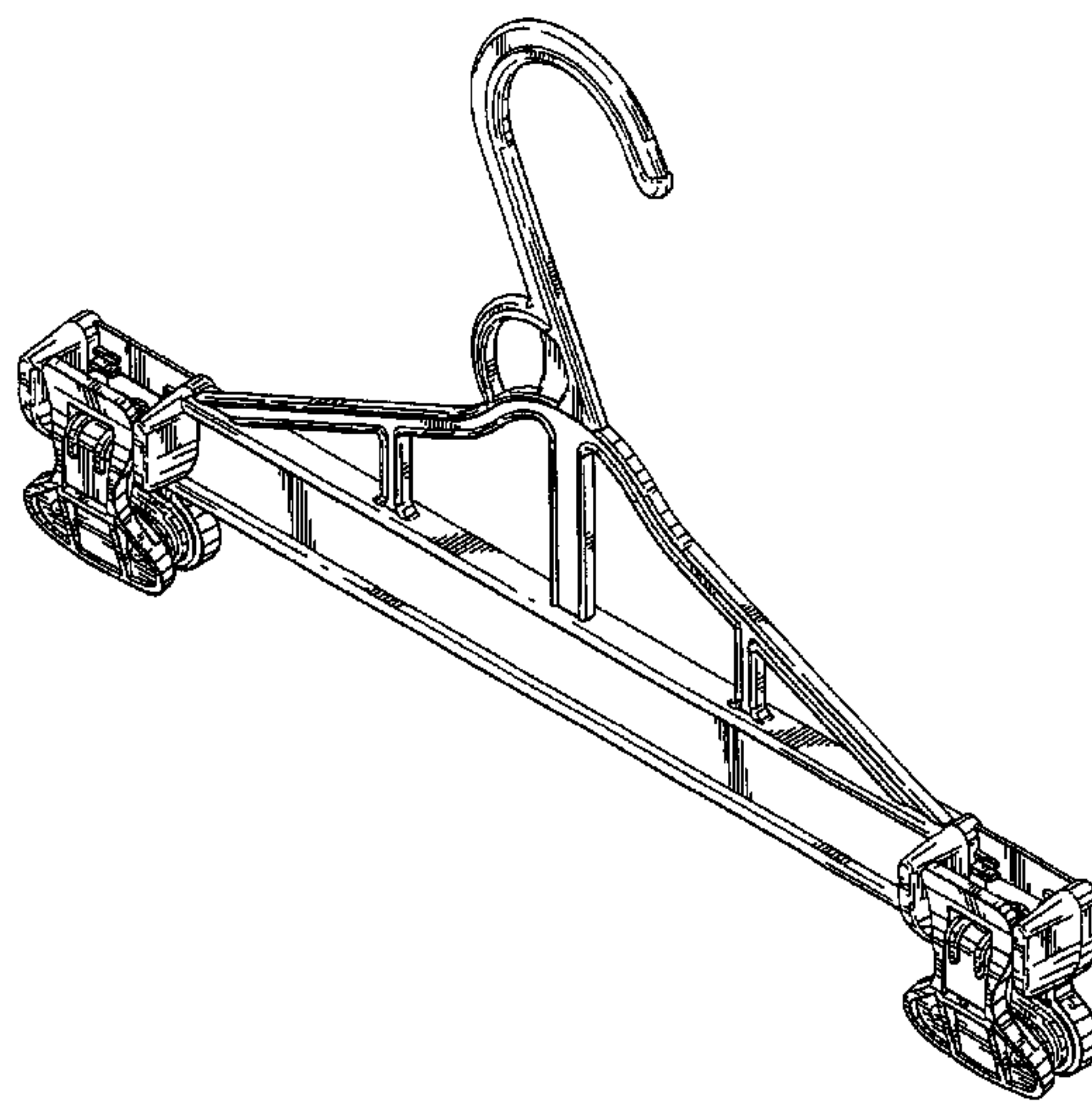
(57) **CLAIM**

The ornamental design for a pinch grip hanger, as shown and described.

DESCRIPTION

FIG. 1 is a perspective view of a pinch grip hanger, showing the new design;
FIG. 2 is a front view thereof;
FIG. 3 is a right-side view thereof;
FIG. 4 is a back view thereof;
FIG. 5 is a left-side view thereof;
FIG. 6 is a top view thereof; and,
FIG. 7 is a bottom view thereof.

1 Claim, 4 Drawing Sheets



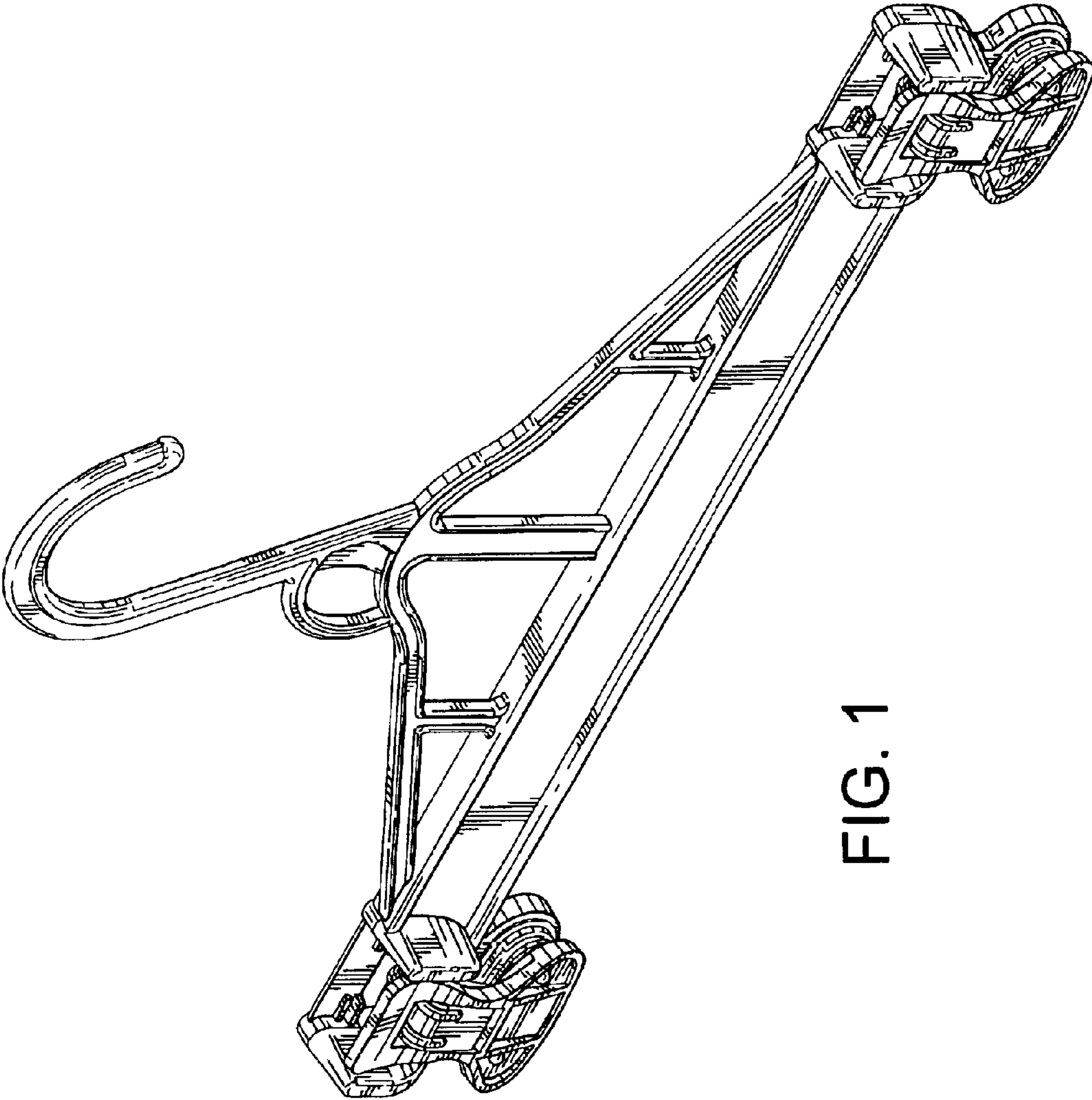


FIG. 1

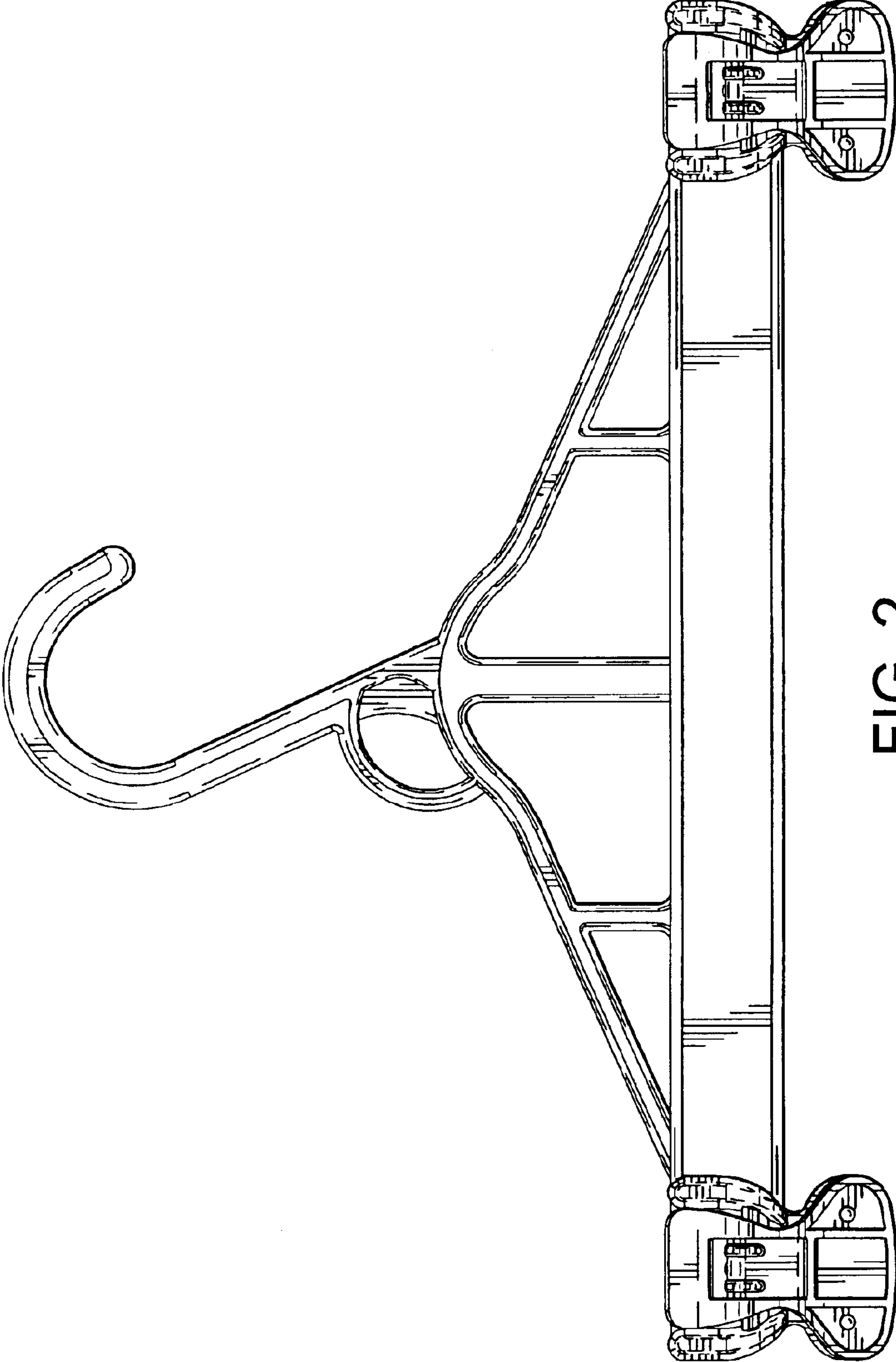


FIG. 2

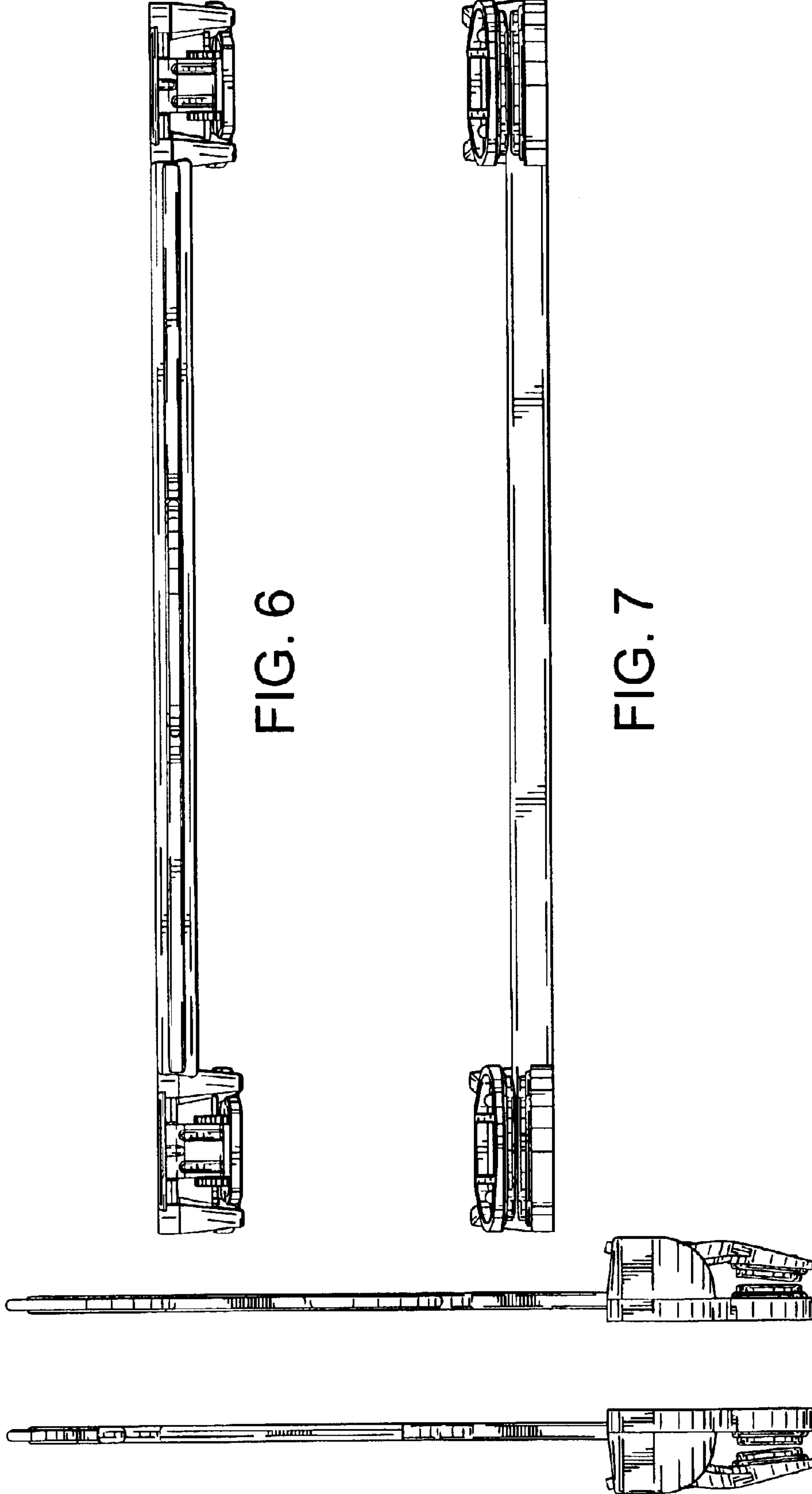


FIG. 6

FIG. 7

FIG. 3 FIG. 5

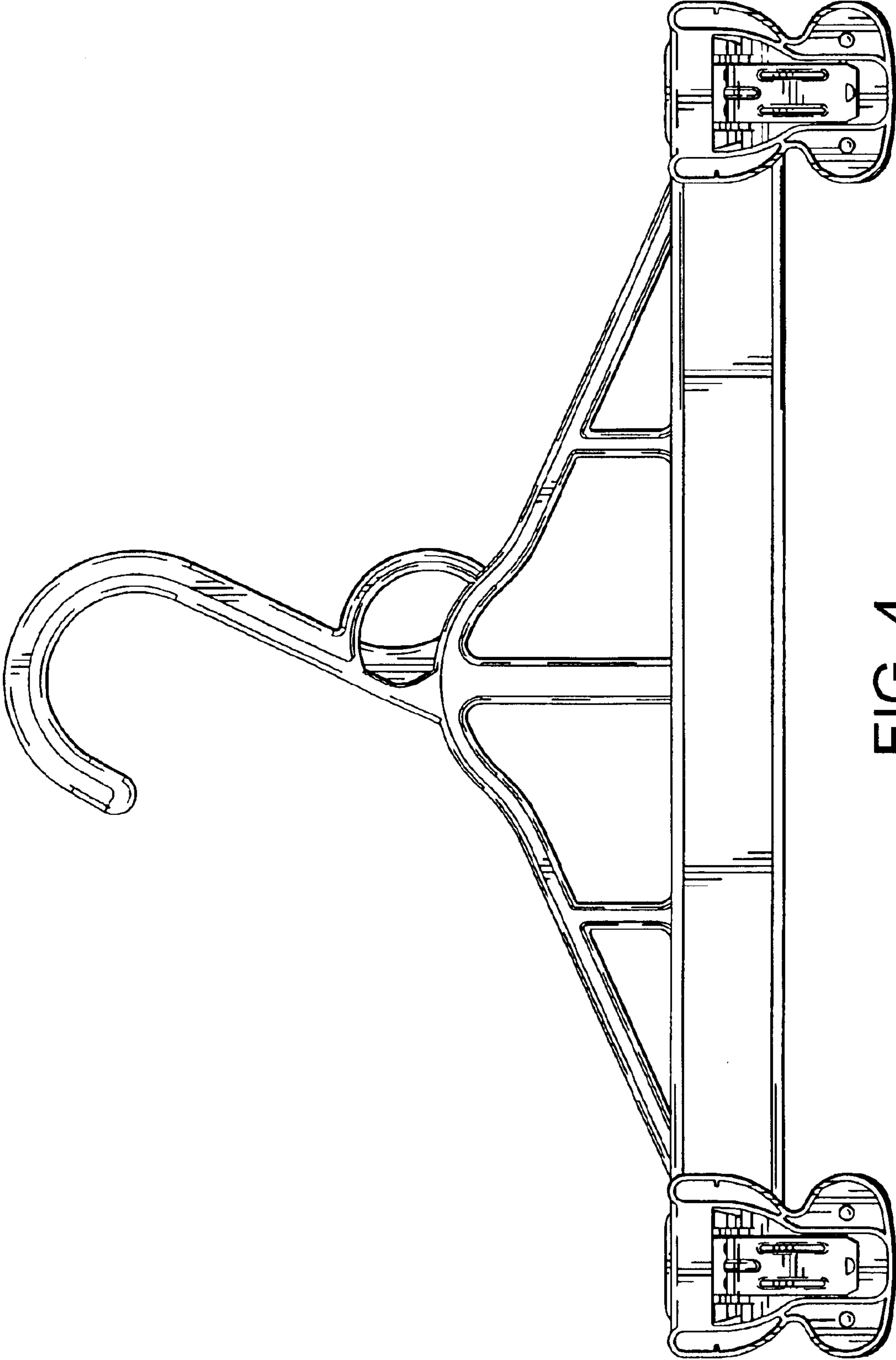


FIG. 4