

US00D501077S

(12) **United States Design Patent**
Barnard et al.

(10) **Patent No.: US D501,077 S**
(45) **Date of Patent: ** Jan. 25, 2005**

(54) **SCHOOL SUPPLY BOX**

(75) Inventors: **David E. Barnard**, St. Paul, MN (US);
Cory R. Boudreau, Madison, WI (US);
Christa R. Walter, Lake Mills, WI (US)

(73) Assignee: **Berol Corporation**, Freeport, IL (US)

(**) Term: **14 Years**

(21) Appl. No.: **29/150,899**

(22) Filed: **Nov. 15, 2001**

(51) **LOC (7) Cl.** **03-01**

(52) **U.S. Cl.** **D3/206**

(58) **Field of Search** D3/201, 206, 273,
D3/282, 294, 302, 318; D9/420, 422, 431;
D21/483; 206/1.7, 214, 224, 371, 372,
565, 575; 220/528, 608; 312/244; D19/35,
75, 82.83

(56) **References Cited**

U.S. PATENT DOCUMENTS

4,216,860	A	*	8/1980	Heimann	206/565	X
D330,914	S		11/1992	Muller	19/77	
D335,896	S		5/1993	Evenson	19/83	
D354,653	S	*	1/1995	Melk	D3/201	
D355,360	S		2/1995	Mund et al.	9/423	
D371,962	S		7/1996	Petruzzi	9/423	
D393,368	S	*	4/1998	Wyant	D3/201	
D397,865	S	*	9/1998	Lin	D3/318	
D411,040	S		6/1999	Gilbertsom et al.	3/294	

D427,428	S	*	7/2000	Demsien et al.	D3/201	X
D431,461	S	*	10/2000	Glassman	D3/201	
D443,761	S		6/2001	Lindeman et al.	3/273	
D447,633	S		9/2001	Demsien et al.	3/294	

OTHER PUBLICATIONS

Dollar Tree Schoolbox, Plastic Pencil Box sold by Dollar Tree Distributors of Chesapeake, VA, purchased Sep. 19, 2001 at Dollar Tree store.

* cited by examiner

Primary Examiner—Louis S. Zarfes

Assistant Examiner—Monica A. Weingart

(74) *Attorney, Agent, or Firm*—Marshall, Gerstein & Borun

(57) **CLAIM**

We claim the ornamental design for a school supply box, as shown and described.

DESCRIPTION

FIG. 1 is a perspective view of exemplary embodiment of an ornamental design of a school supply box; FIG. 2 is a top plan view thereof; FIG. 3 is front elevational view thereof; FIG. 4 is a left end elevational view thereof; FIG. 5 is a right end elevational view thereof; and, FIG. 6 is a rear end elevational view thereof. The ornamental design which is claimed is shown in solid lines in the drawings. The broken lines in the drawings are for illustrative purposes only and form no part of the claimed design.

1 Claim, 3 Drawing Sheets

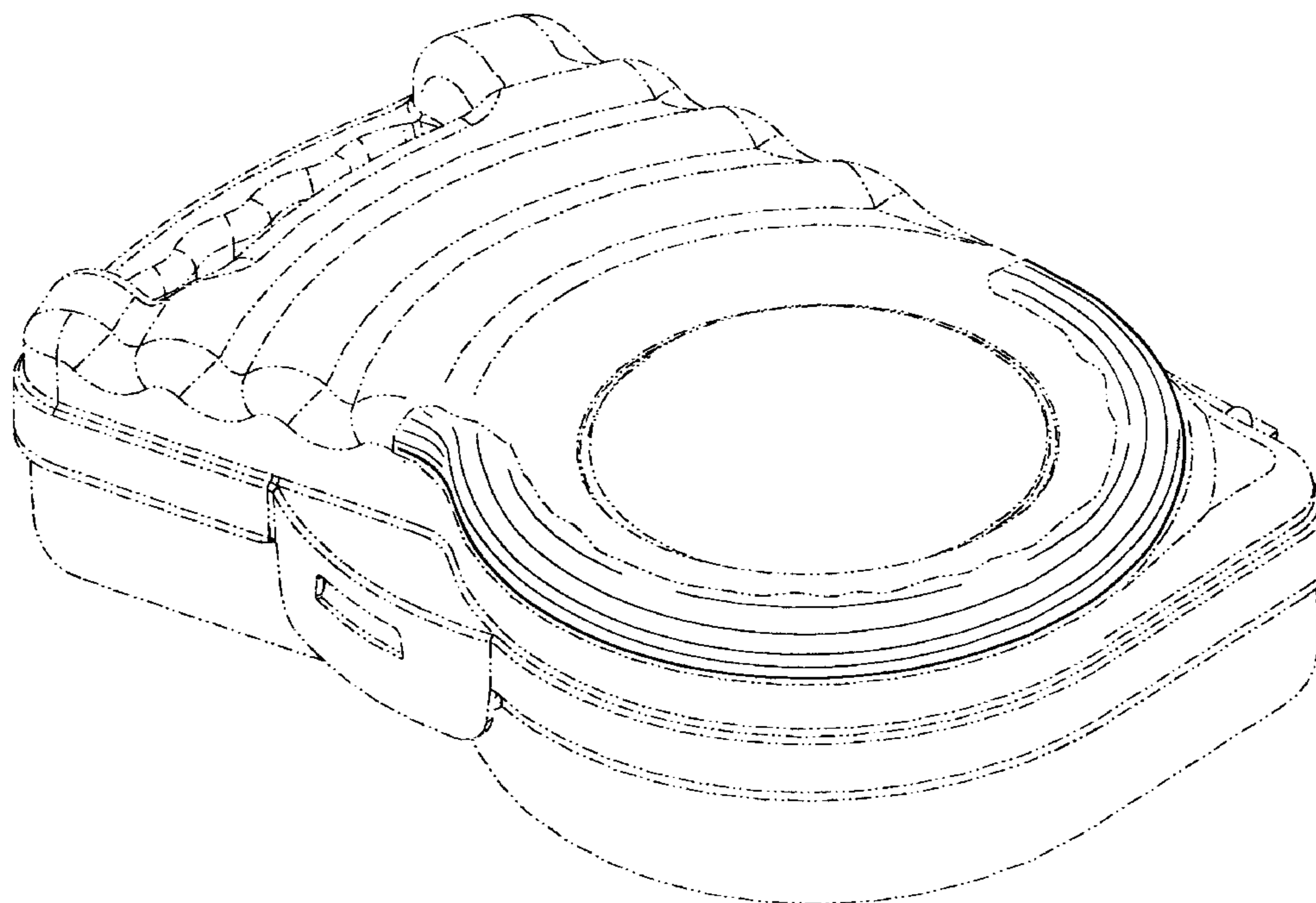
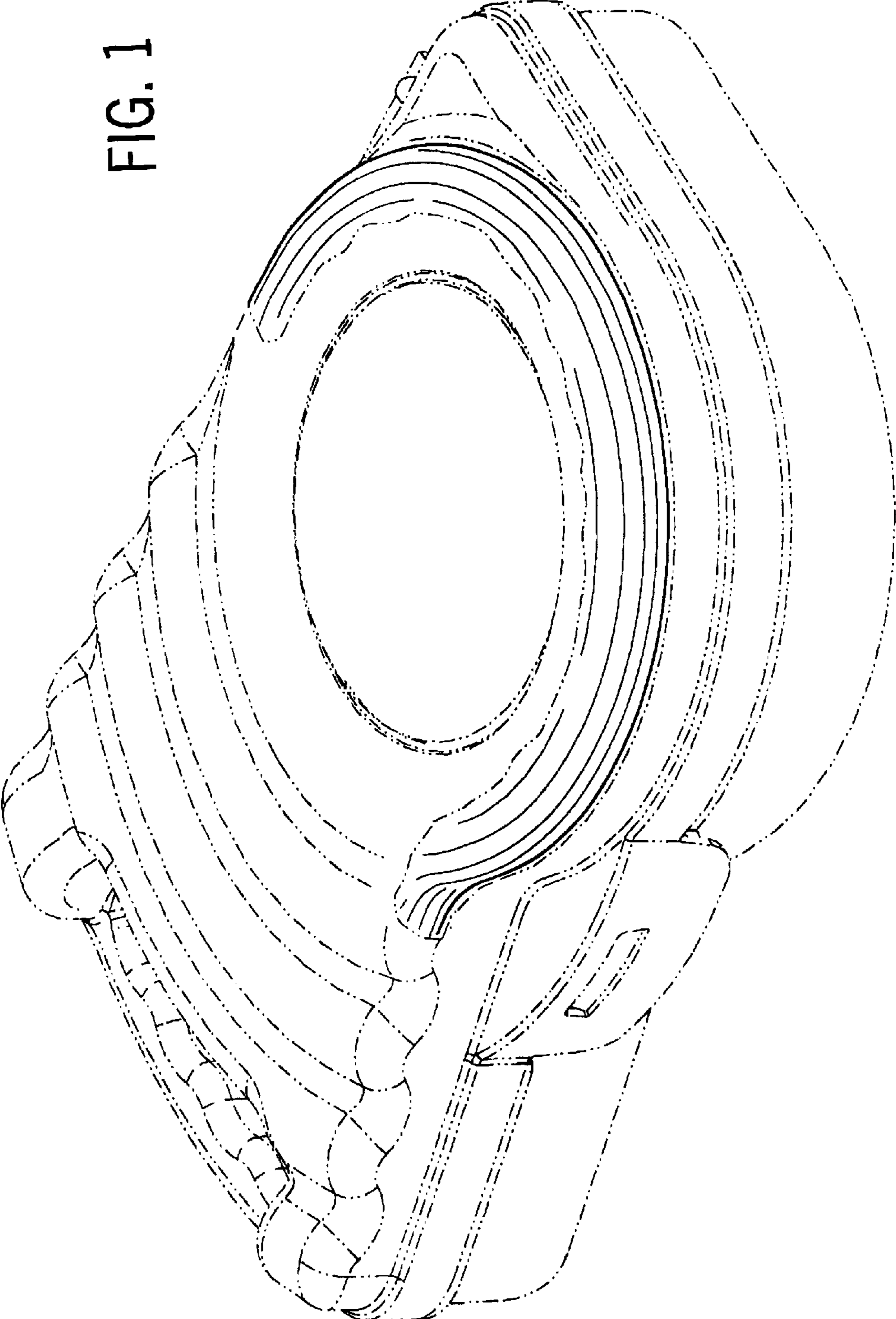


FIG. 1



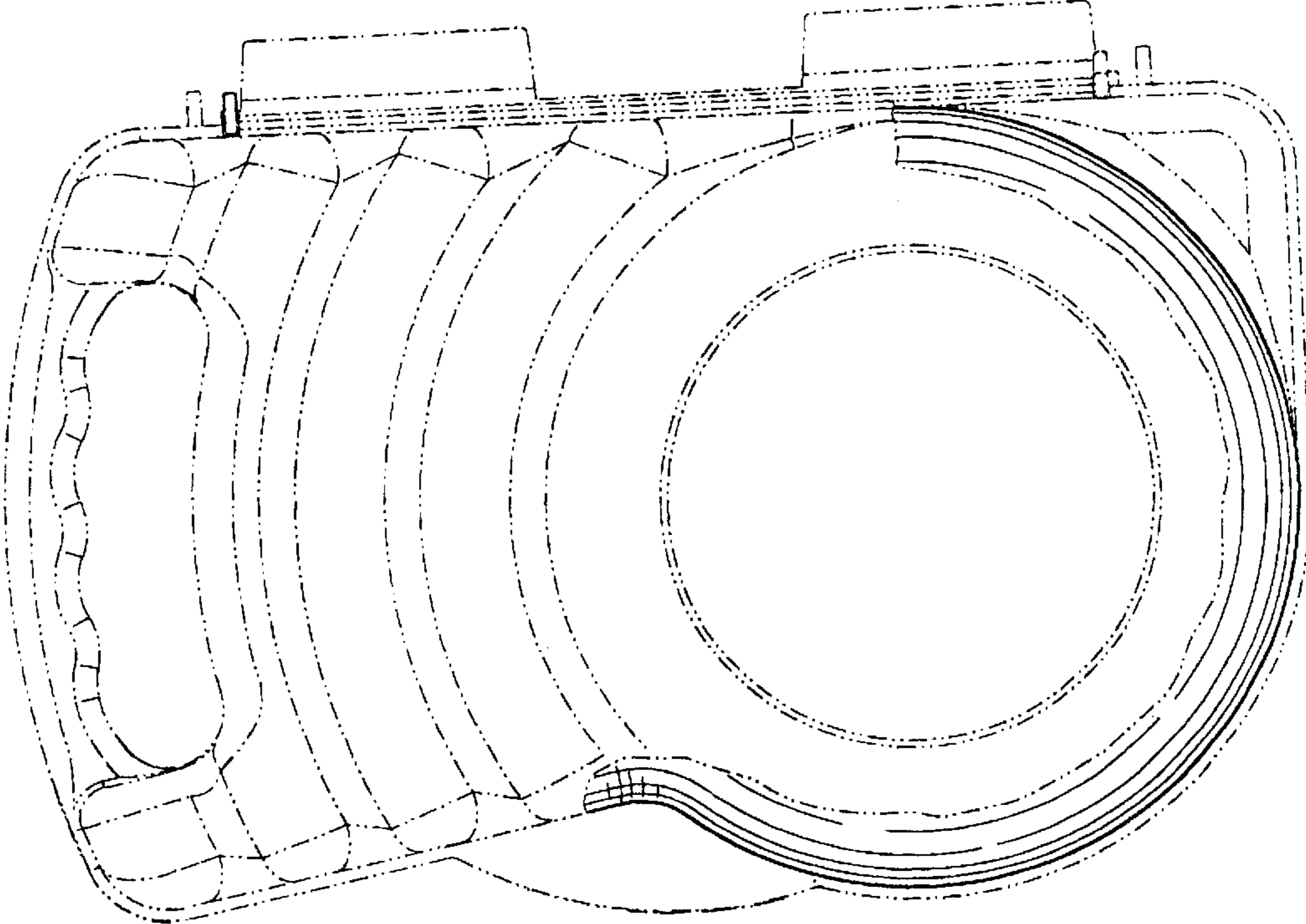


FIG. 2

FIG. 3

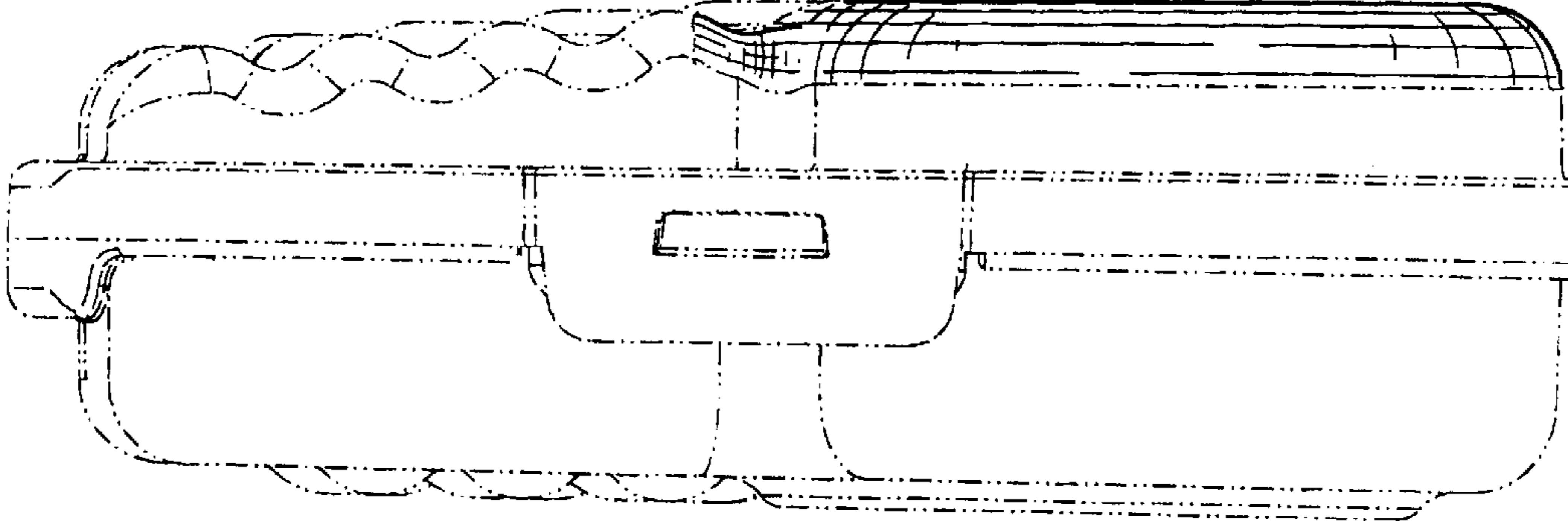


FIG. 4

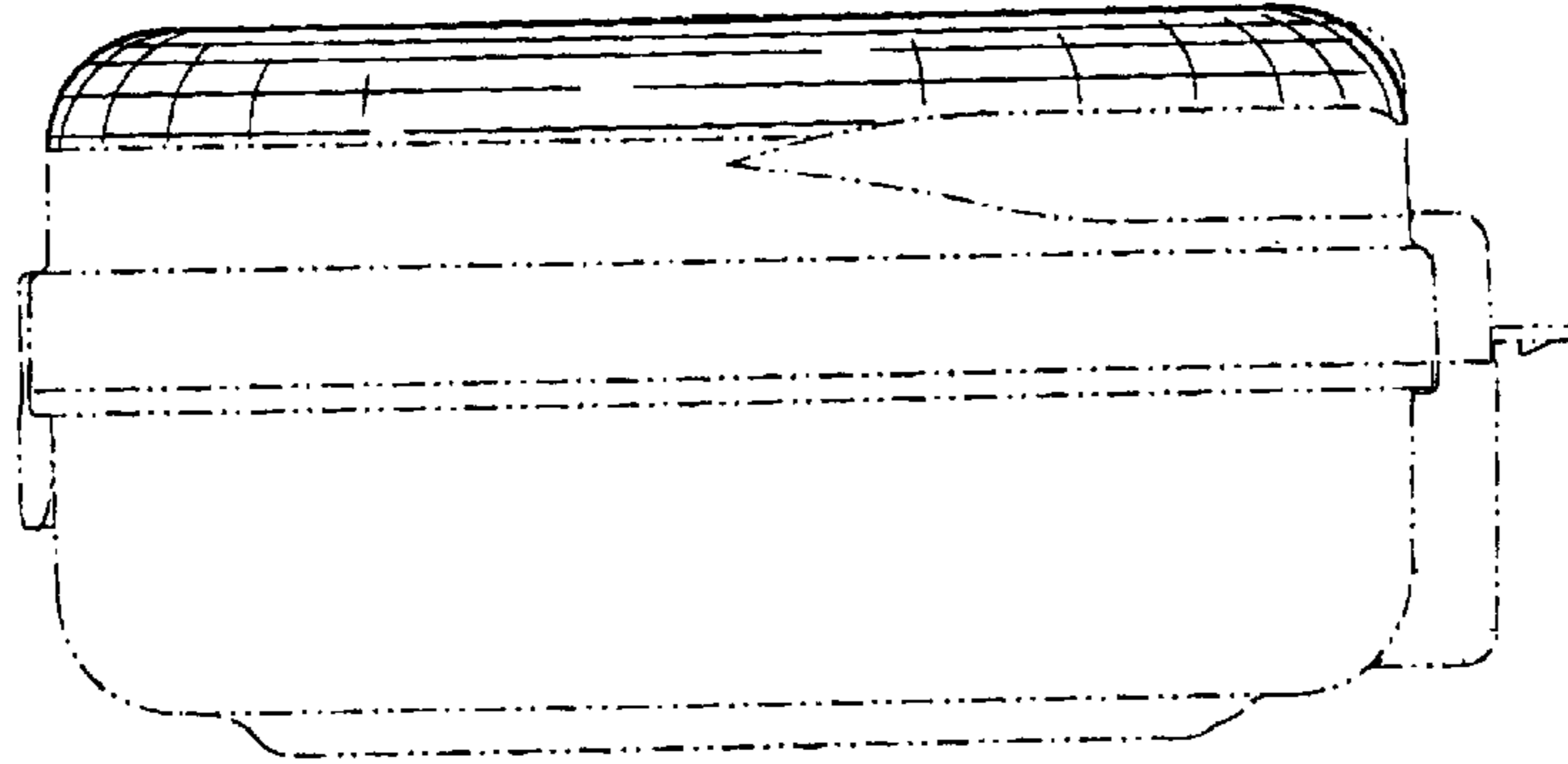


FIG. 5

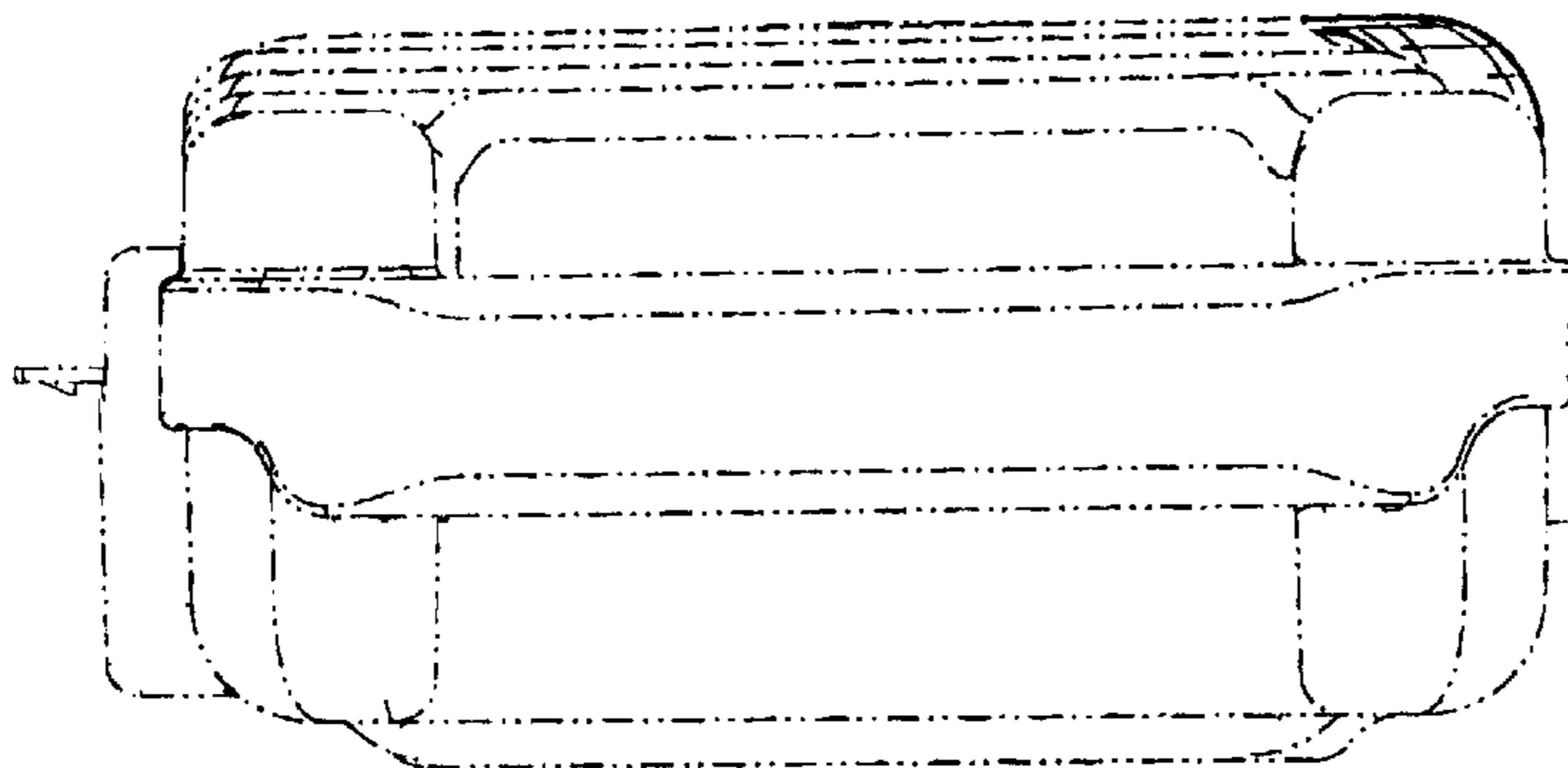


FIG. 6

