

US00D501066S

(12) **United States Design Patent**
Geng

(10) **Patent No.:** **US D501,066 S**

(45) **Date of Patent:** **** Jan. 25, 2005**

(54) **FITTER GLOVE**

D205,828 S * 9/1966 Beebe D29/117.1
5,644,796 A * 7/1997 Laughlin 2/161.6

(75) **Inventor:** **Tony Geng**, Georgetown (CA)

* cited by examiner

(73) **Assignee:** **Superior Glove Works Limited**, Acton (CA)

Primary Examiner—Robert A. Delehanty
(74) *Attorney, Agent, or Firm*—Ingrid E. Schmidt

(**) **Term:** **14 Years**

(57) **CLAIM**

(21) **Appl. No.:** **29/205,541**

The design for a fitter glove, as shown and described.

(22) **Filed:** **May 18, 2004**

DESCRIPTION

(30) **Foreign Application Priority Data**

Apr. 5, 2004 (CA) 106852

(51) **LOC (7) Cl.** **02-06**

(52) **U.S. Cl.** **D2/618**

(58) **Field of Search** D29/113, 117.1,
D29/117.2, 122-123; D2/610, 623, 613-621,
999; D24/190; 2/16, 20, 159, 116.1-116.8,
910, 917

FIG. 1 is a plan view of a back side for a fitter glove showing my new design;

FIG. 2 is a side elevation view of a raised portion of a knuckle strap forming part of the fitter glove and shown in circled area 2;

FIG. 3 is an end elevation view of the raised portion of FIG. 2; and,

FIG. 4 is a plan view of a palm side thereof.

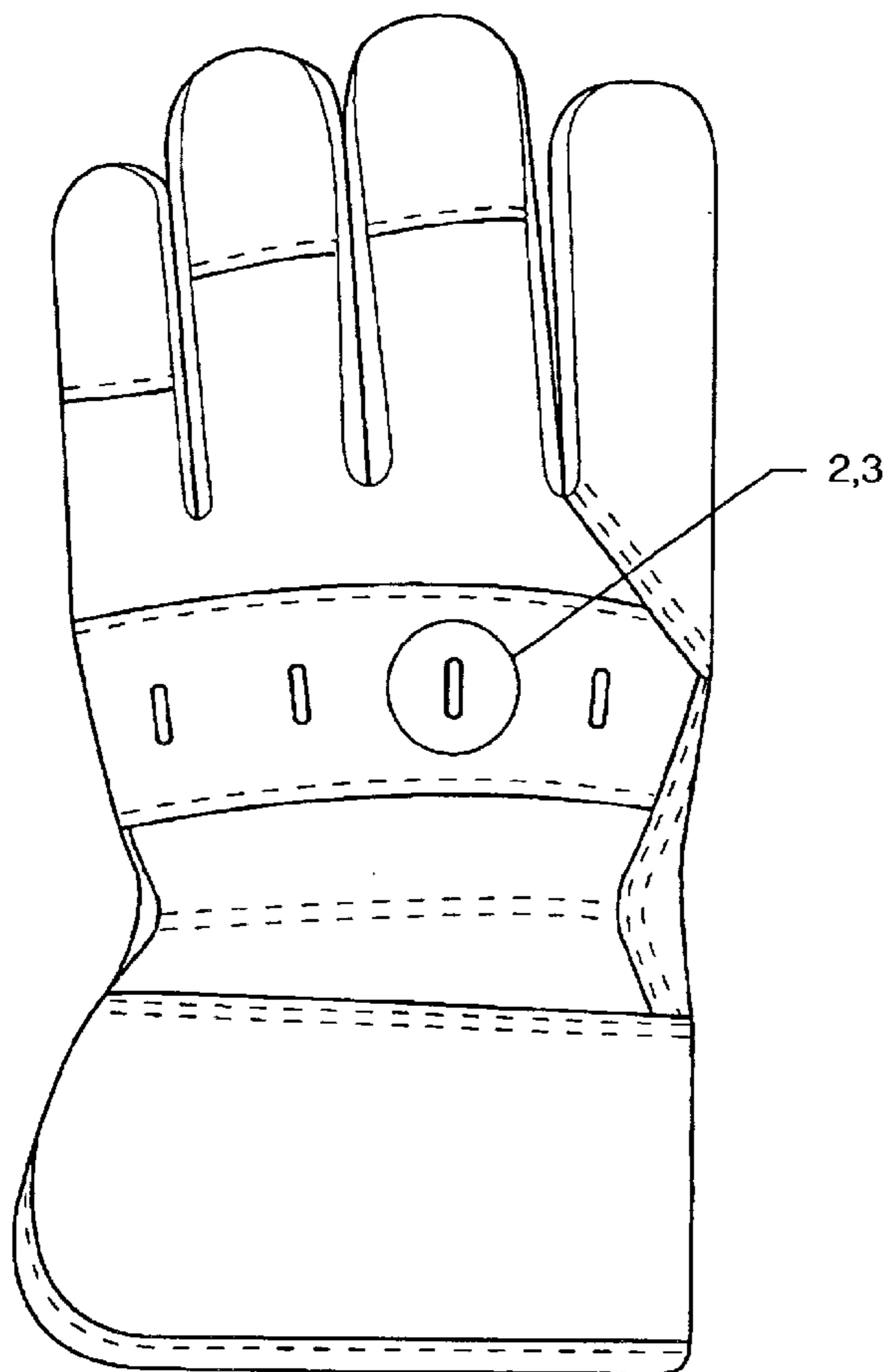
The design consists of the features of pattern and configuration of the entire glove shown in the drawings. The most significant feature of the design is the appearance of the knuckle strap on the back side for the glove. The dashed lines are features of ornamentation which form part of the design.

(56) **References Cited**

U.S. PATENT DOCUMENTS

1,010,199 A * 11/1911 Stedman 2/162
2,217,377 A * 10/1940 Moore 2/161.6

1 Claim, 1 Drawing Sheet



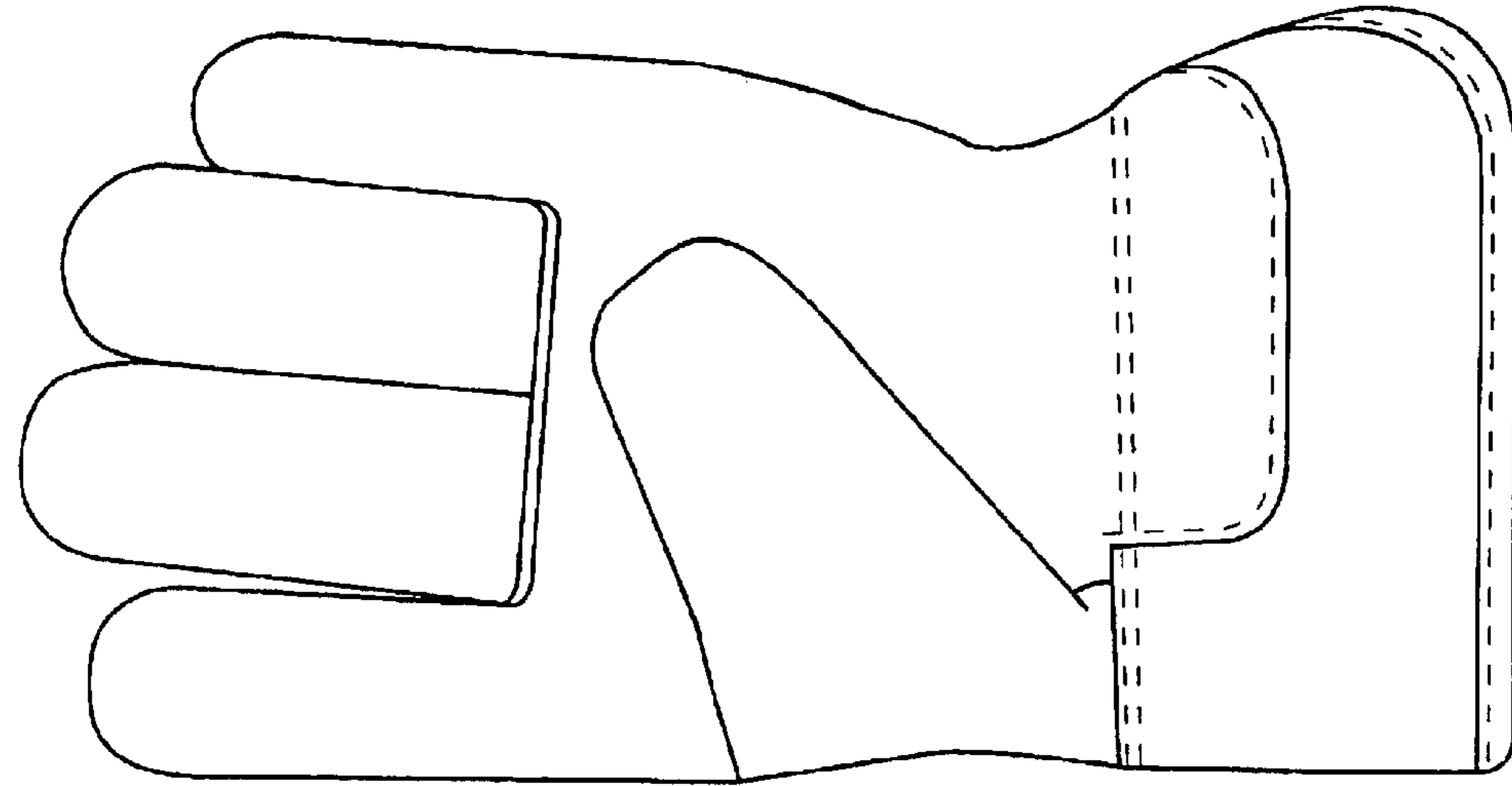


Fig 4

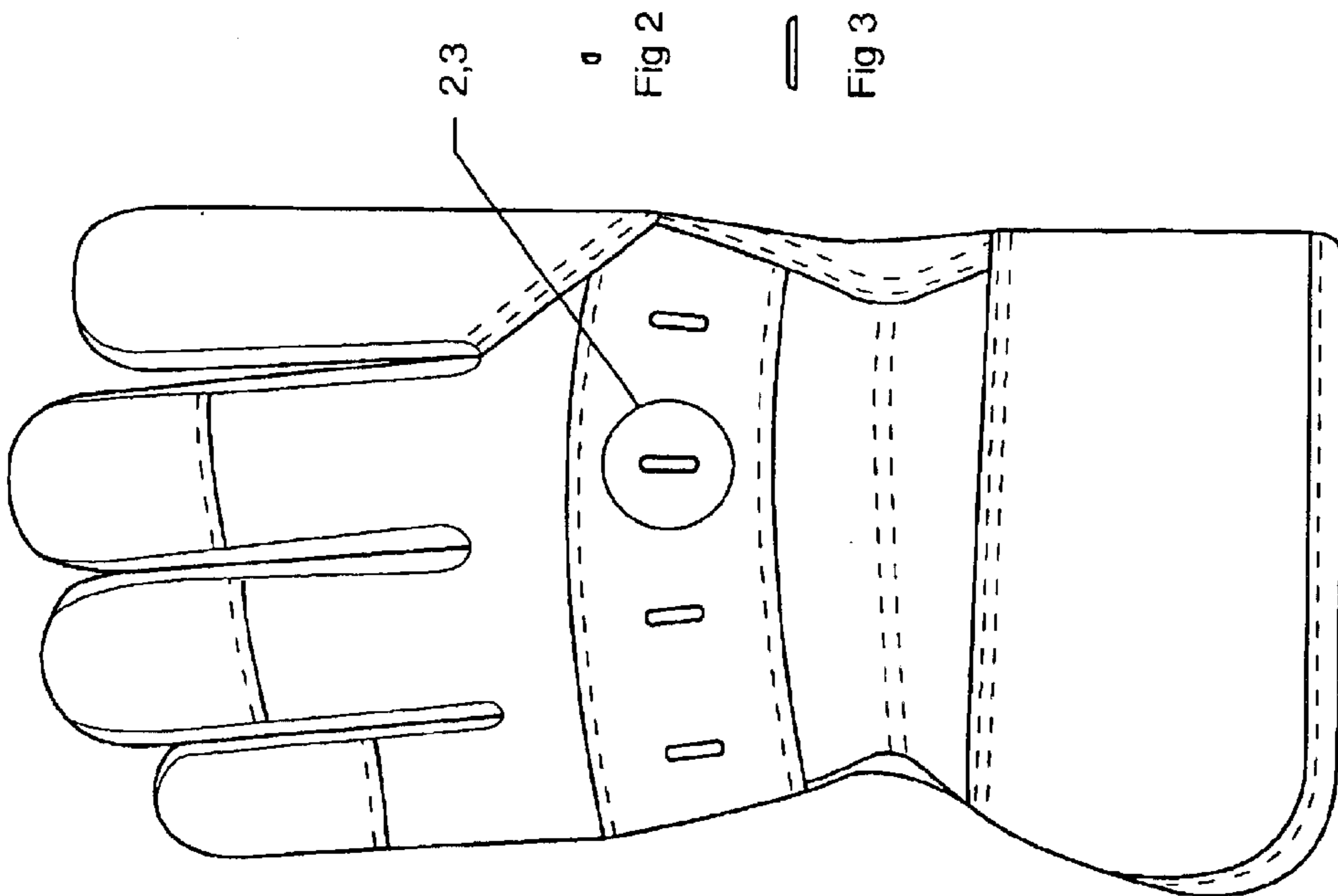


Fig 1

2,3

0

Fig 2

—

Fig 3