

US00D501060S

(12) **United States Design Patent**  
**Lee**

(10) **Patent No.:** **US D501,060 S**  
(45) **Date of Patent:** **\*\* Jan. 18, 2005**

(54) **WALL LAMP**

(76) Inventor: **Ying-Jue Lee**, 3F, No. 10, Alley 16,  
Lane 205, Sec. 3, Hsien Ming Da Doa,  
Panchou, Taipei Hsien (TW)

(\*\*) Term: **14 Years**

(21) Appl. No.: **29/206,916**

(22) Filed: **Jun. 4, 2004**

(51) **LOC (7) Cl.** ..... **26-03**

(52) **U.S. Cl.** ..... **D26/86; D26/80; D26/92**

(58) **Field of Search** ..... **D26/72, 80, 92,**  
**D26/85-87, 145, 155; 362/147, 432**

(56) **References Cited**

**PUBLICATIONS**

Square 5-Light Bath Fixture 345526 from bellacor.com. (1 page), Found online Sep. 1, 2004.\*

“Sophia” 4-Light Vanity fixture #32407 from bellacor.com. (1 page), Found online Sep. 1, 2004.\*

Five Light Bath Fixture #34038 from bellacor.com. (1 page), Found online Sep. 1, 2004.\*

“Studio” 5-Light Bath Fixture #36074 from bellacor.com. (1 page), Found online Sep. 1, 2004.\*

\* cited by examiner

*Primary Examiner*—Clare E Heflin

(57) **CLAIM**

The ornamental design for a wall lamp, as shown and described.

**DESCRIPTION**

FIG. 1 is a perspective view of wall lamp showing my new design;

FIG. 2 is a front elevational view thereof;

FIG. 3 is a rear elevational view thereof;

FIG. 4 is a left side elevational view thereof;

FIG. 5 is a right side elevational view thereof;

FIG. 6 is a top plan view thereof; and

FIG. 7 is a bottom plan view thereof.

FIG. 8 is a perspective view of a wall lamp showing a second embodiment of my new design;

FIG. 9 is a front elevational view thereof;

FIG. 10 is a rear elevational view thereof;

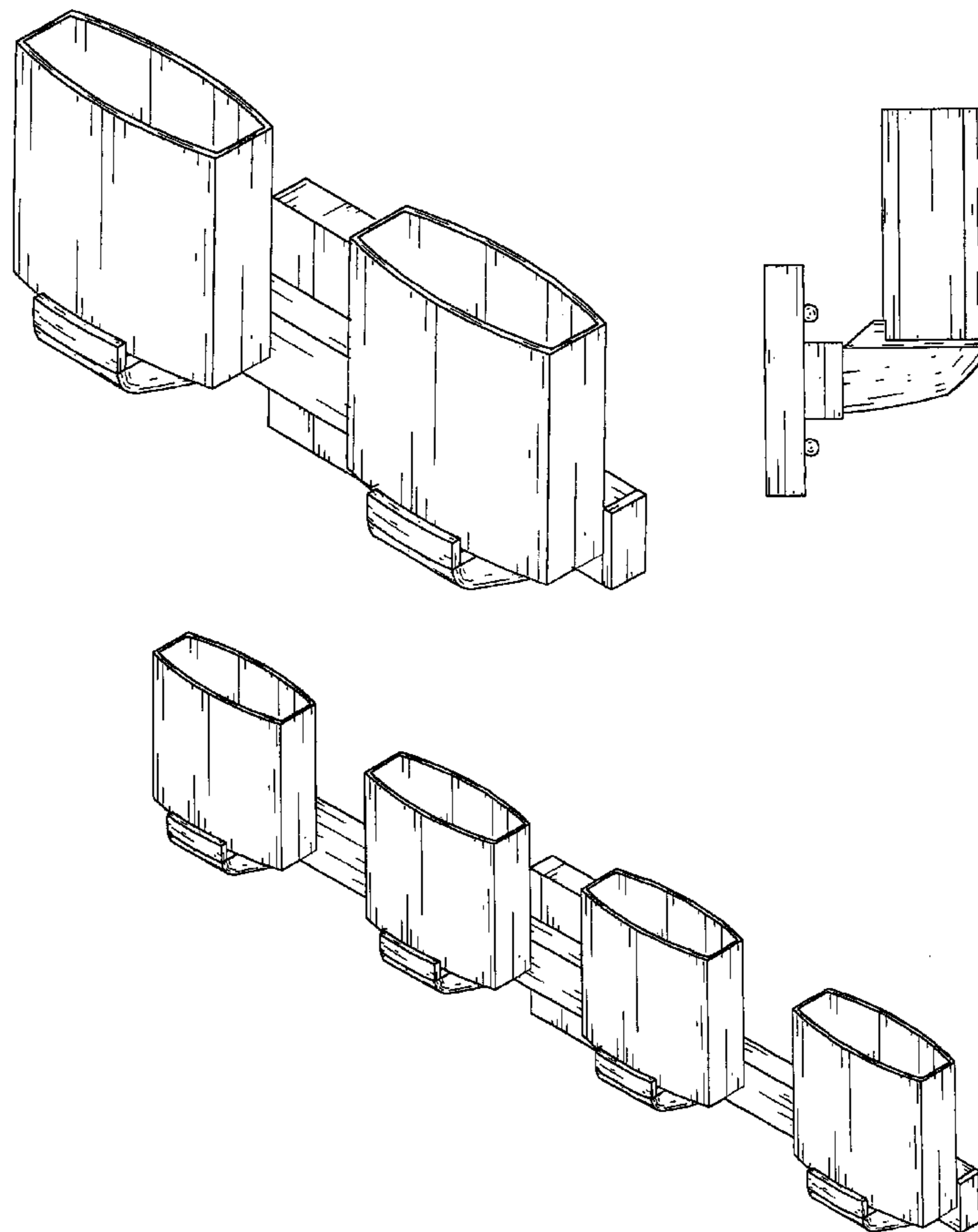
FIG. 11 is a left side elevational view thereof;

FIG. 12 is a right side elevational view thereof;

FIG. 13 is a top plan view thereof; and,

FIG. 14 is a bottom plan view thereof.

**1 Claim, 11 Drawing Sheets**



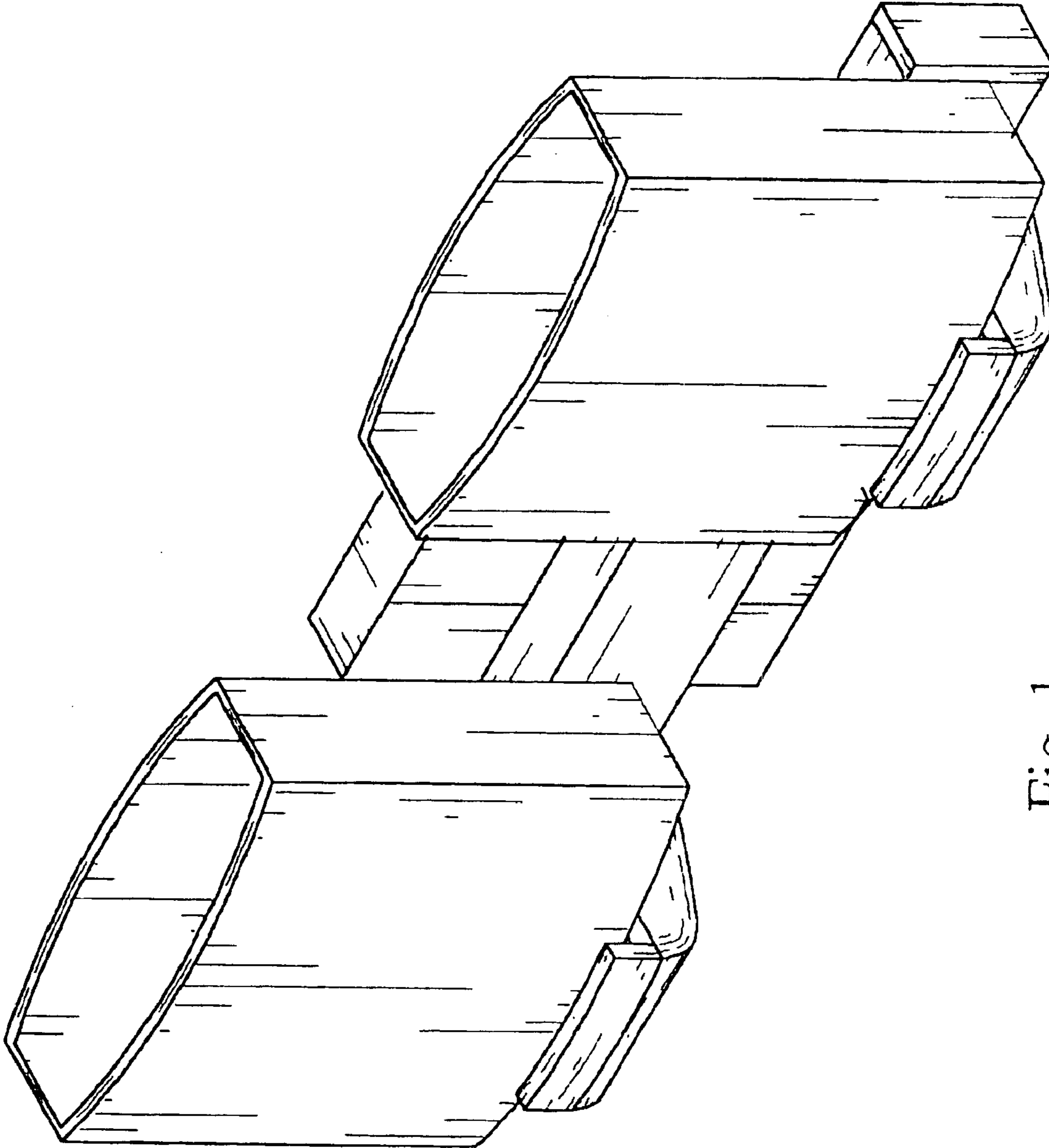


Fig. 1

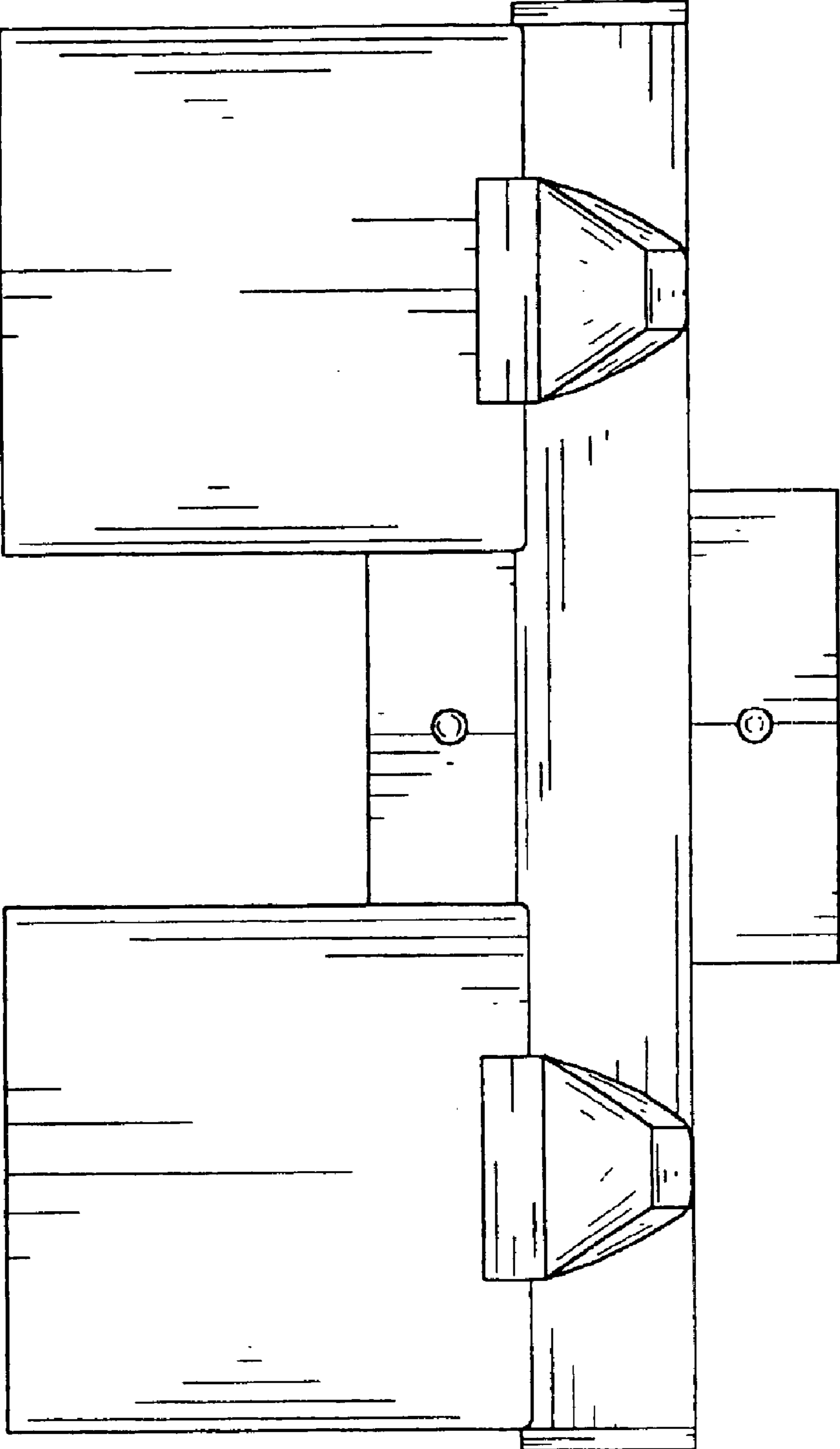


Fig. 2

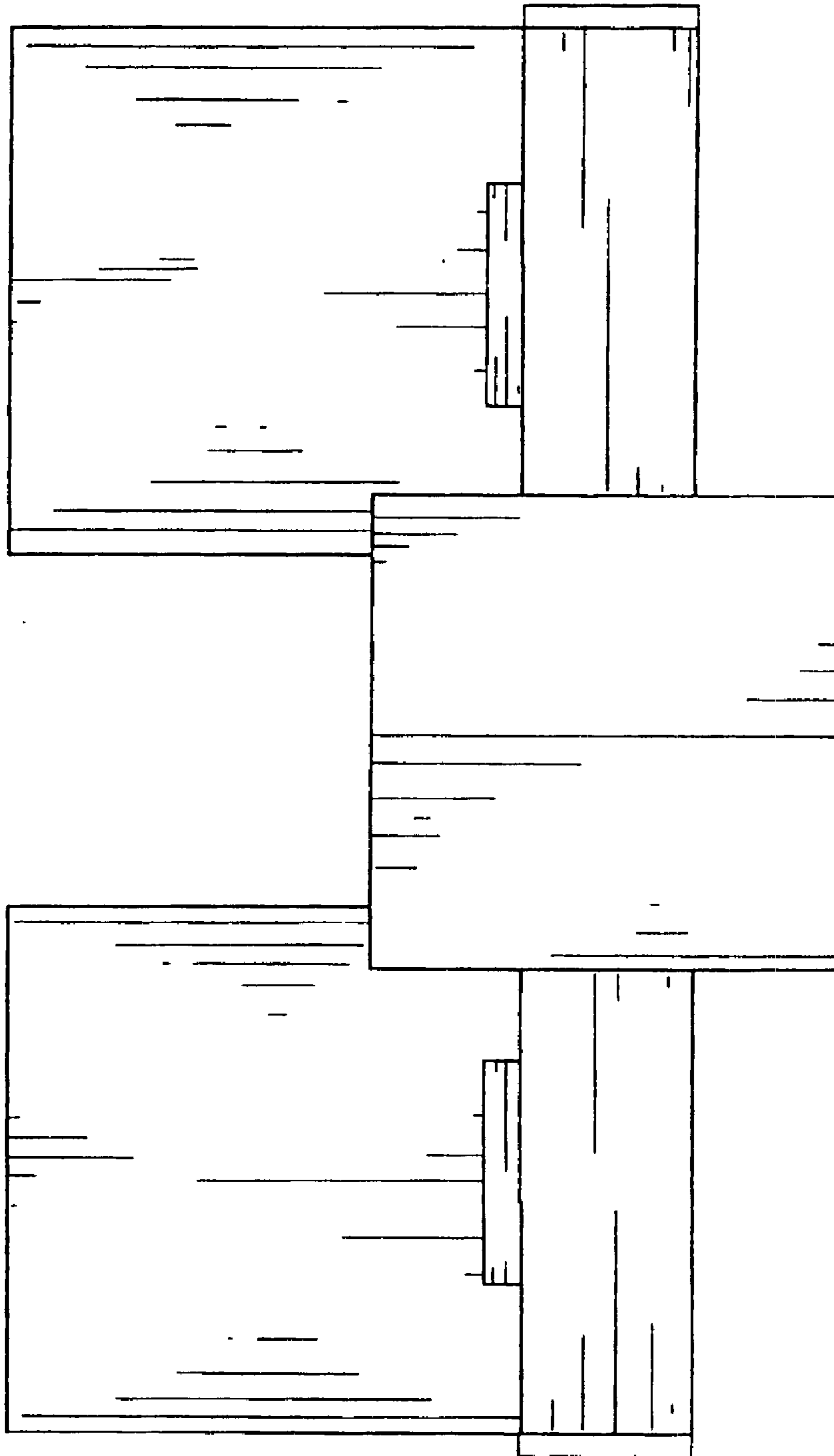


Fig. 3

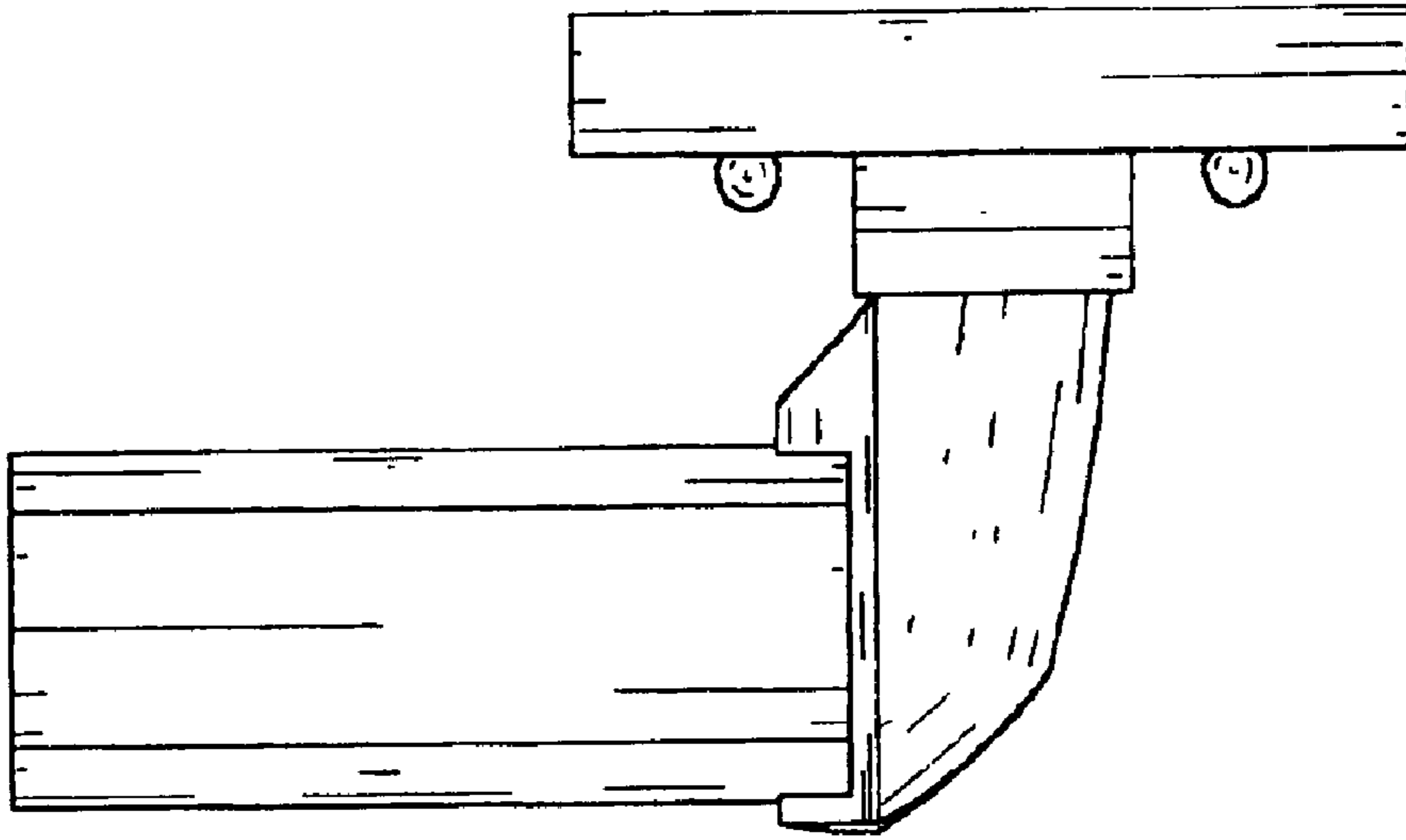


Fig. 5

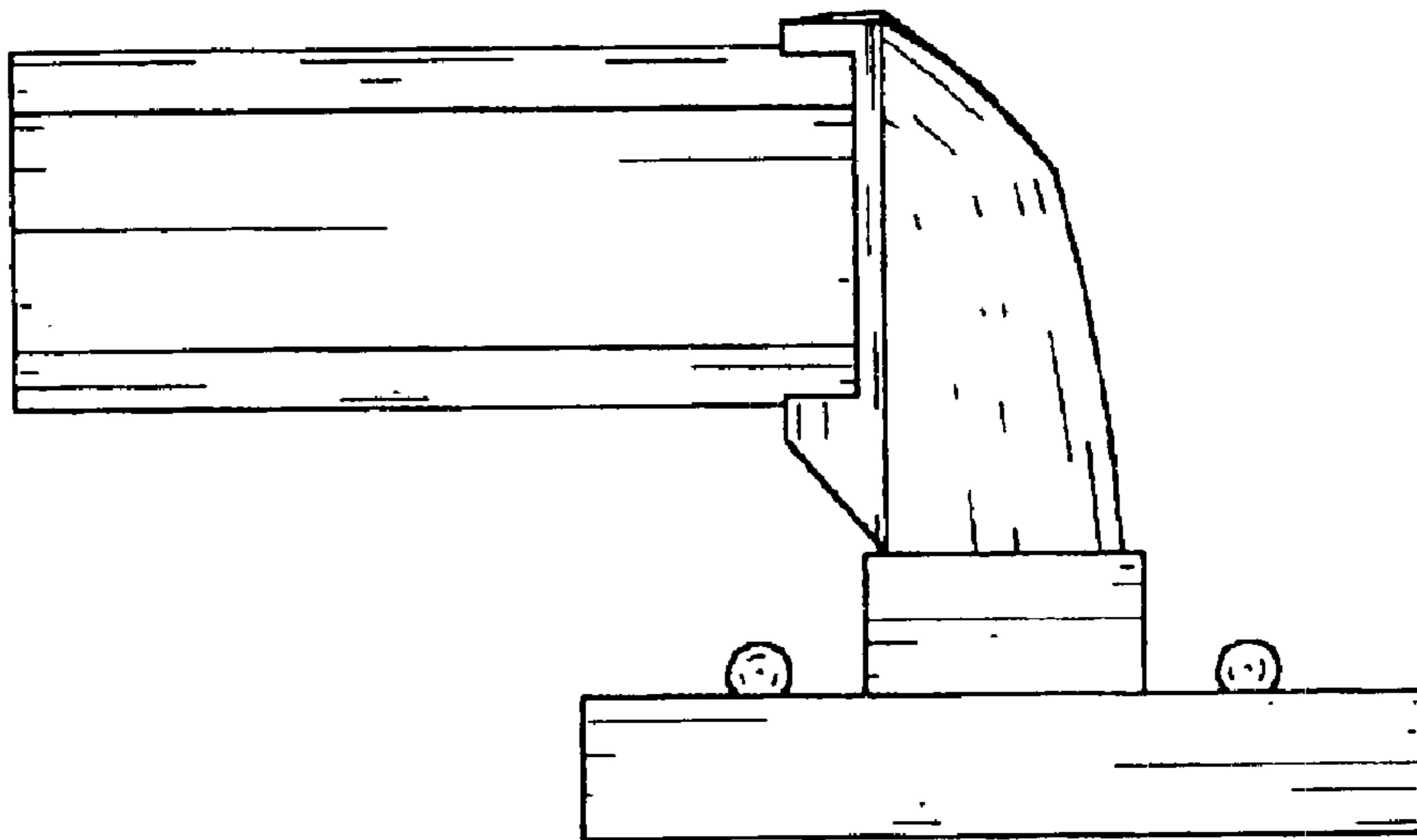


Fig. 4

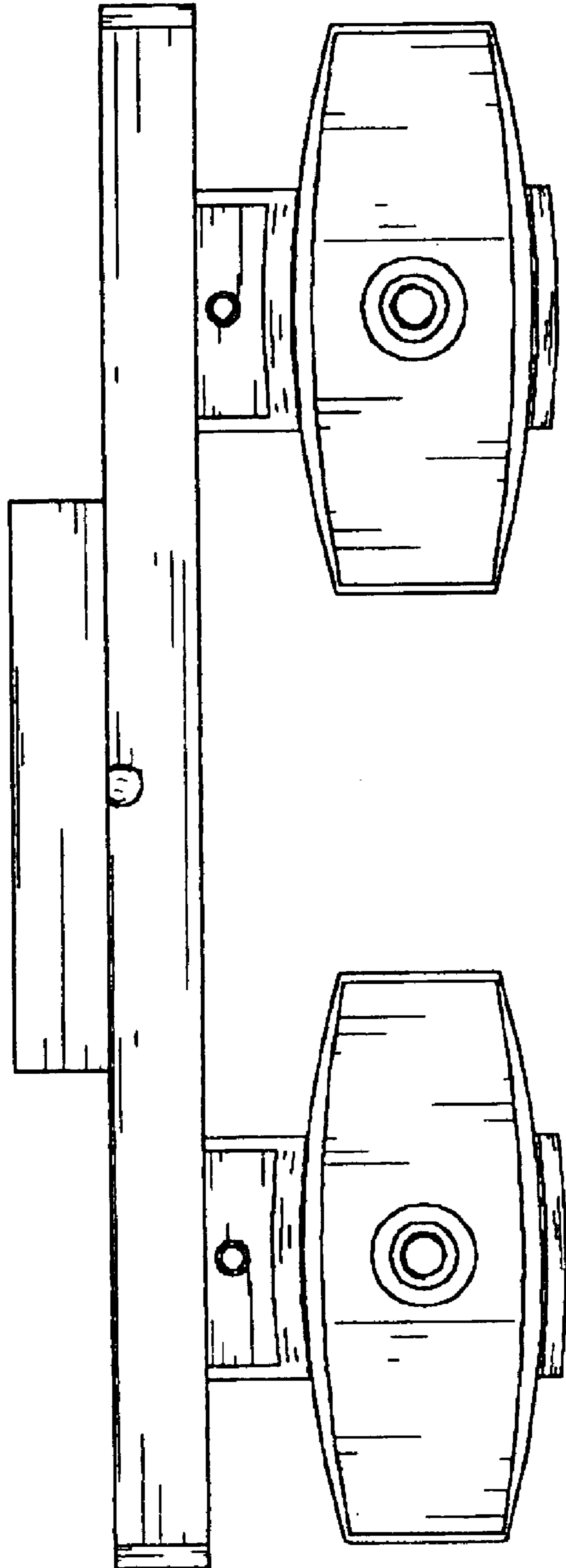


Fig. 6

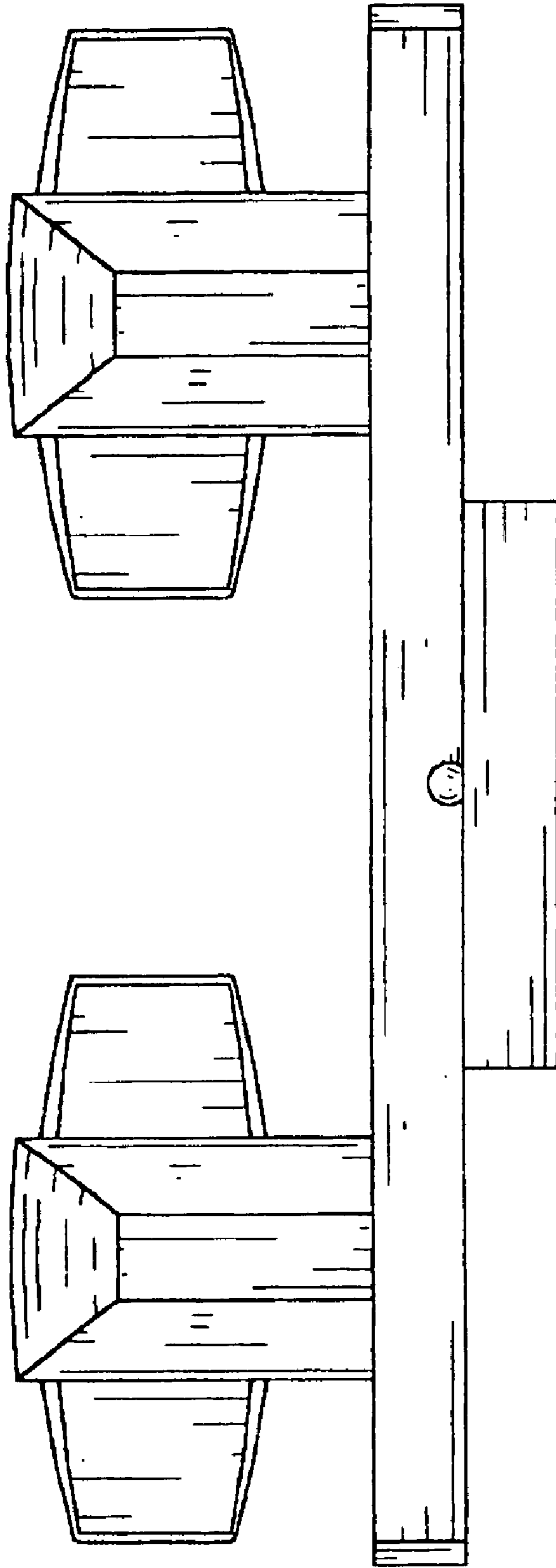


Fig. 7

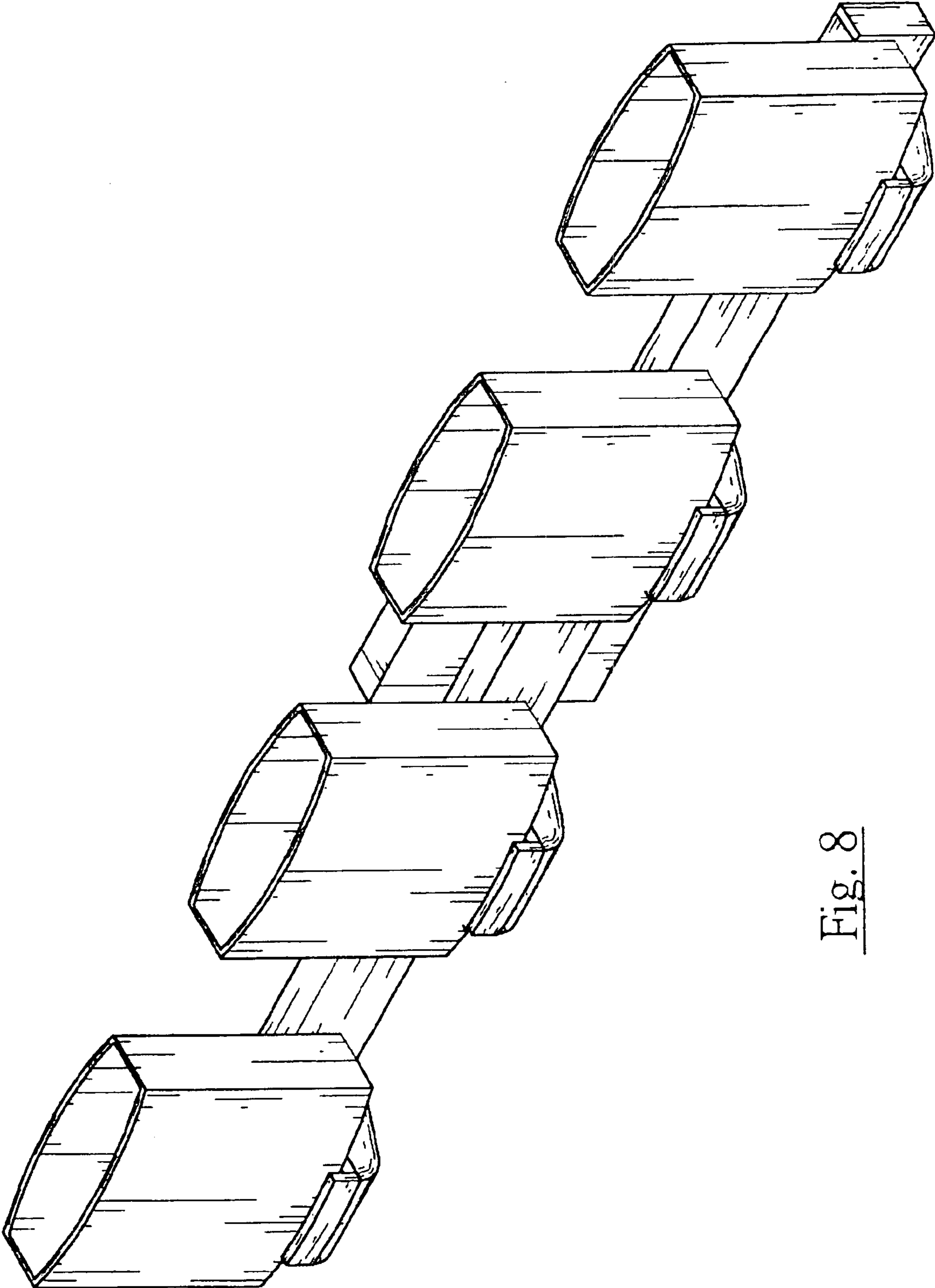


Fig. 8



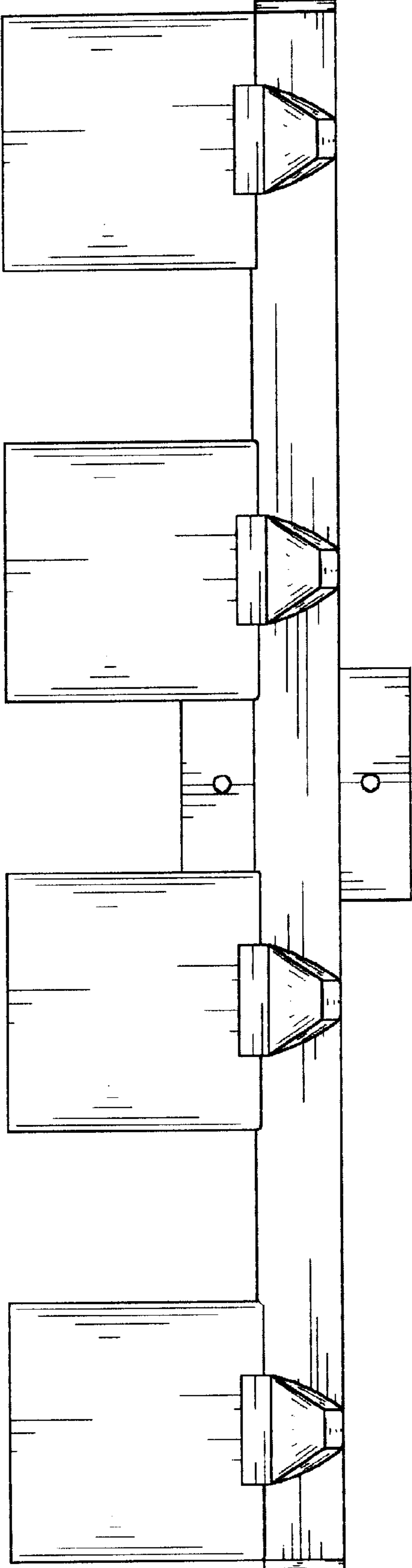


Fig. 9

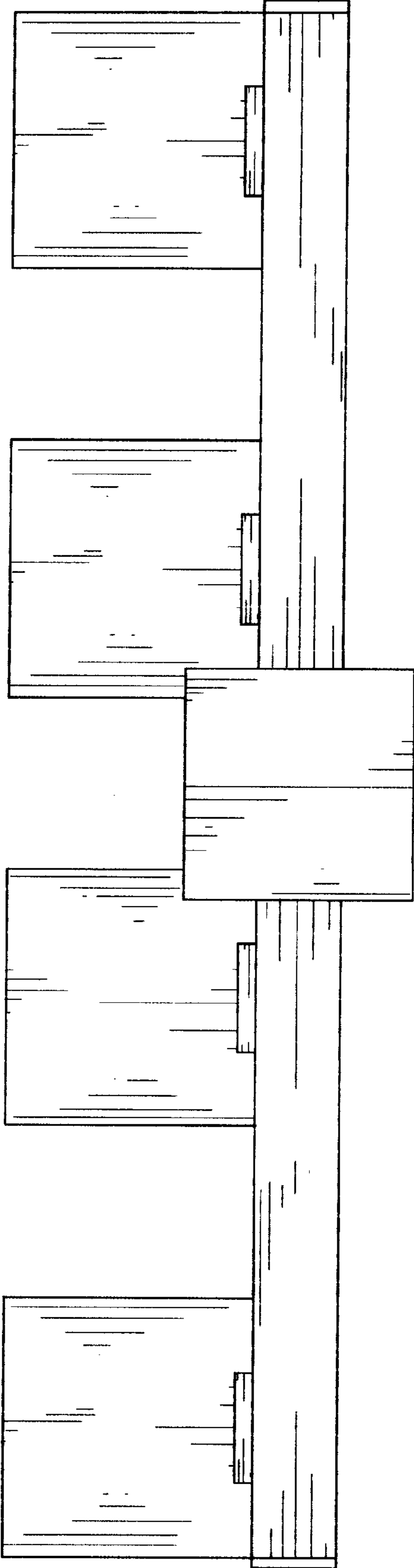


Fig. 10

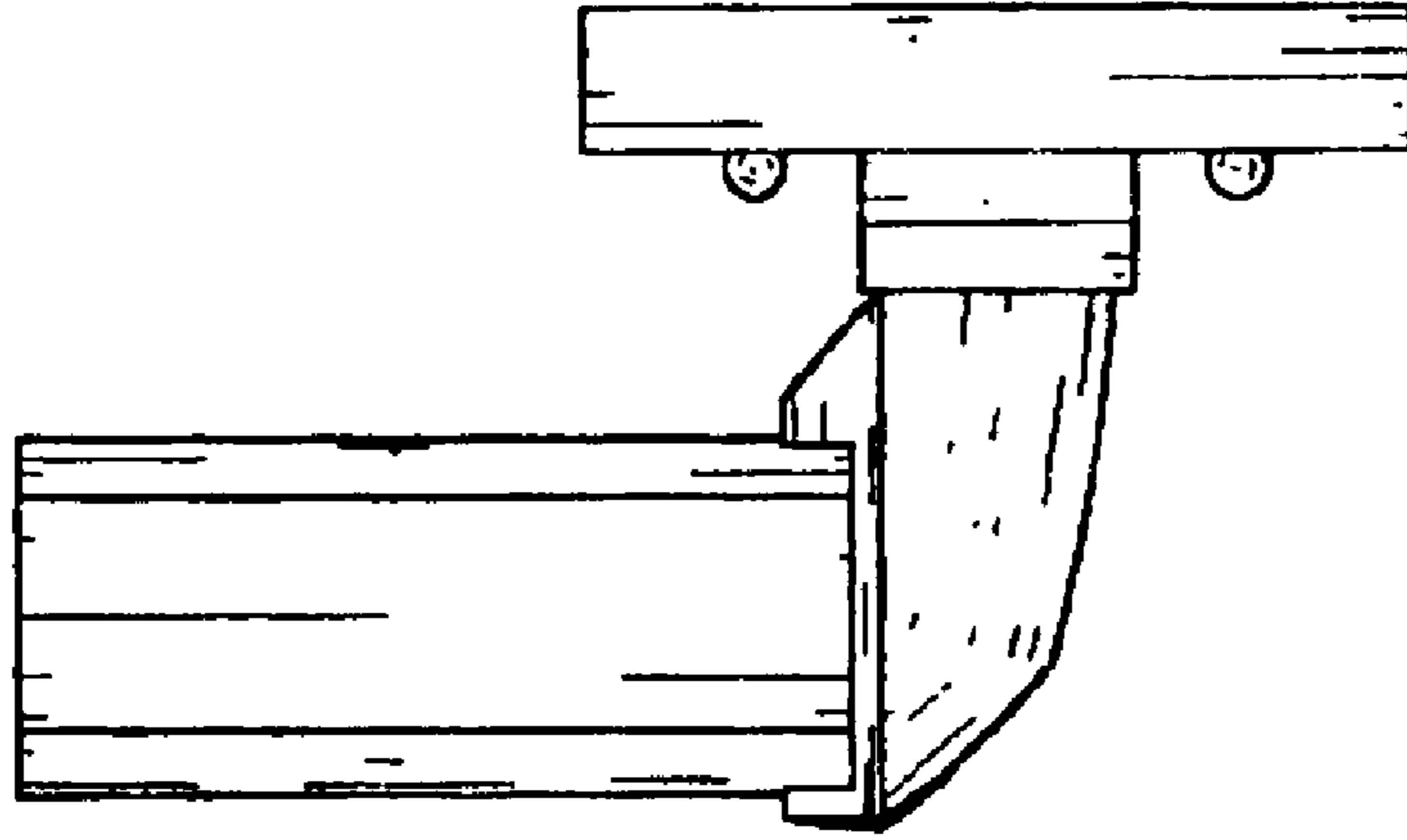


Fig. 12

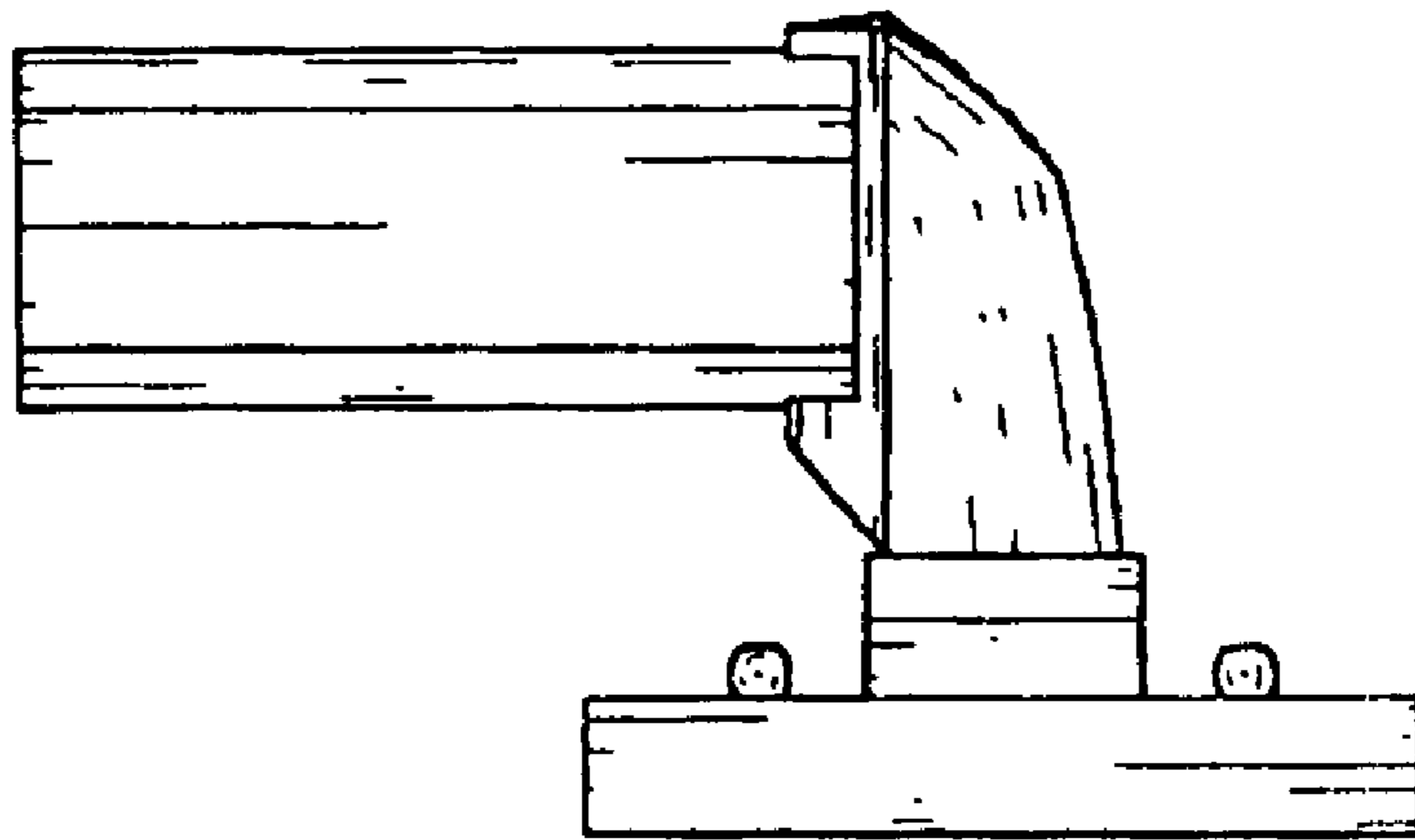


Fig. 11

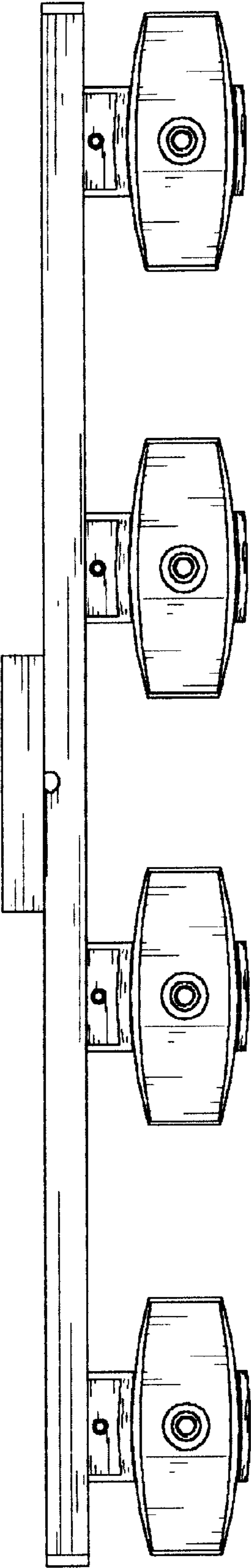


Fig. 13

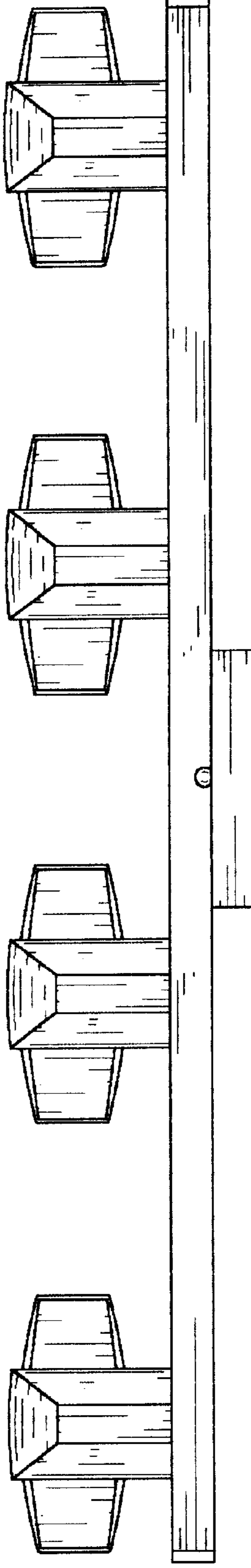


Fig. 14