

US00D501058S

(12) **United States Design Patent**
Parres

(10) **Patent No.:** **US D501,058 S**
(45) **Date of Patent:** **** Jan. 18, 2005**

(54) **LIGHTING FIXTURE**

(75) Inventor: **Miguel Parres**, Alta Loma, CA (US)

(73) Assignee: **Minka Lighting, Inc.**, Corona, CA (US)

(**) Term: **14 Years**

(21) Appl. No.: **29/191,031**

(22) Filed: **Sep. 29, 2003**

(51) **LOC (7) Cl.** **26-03**

(52) **U.S. Cl.** **D26/80; D26/87; D26/92**

(58) **Field of Search** **D26/72, 80, 92, D26/85-87, 145, 155; 362/147, 432**

(56) **References Cited**

U.S. PATENT DOCUMENTS

D50,861 S	*	6/1917	Adam	D26/87
D367,335 S	*	2/1996	Kay	D26/92
D465,595 S	*	11/2002	Hoernig	D26/80
D494,702 S	*	8/2004	Parres	D26/85

OTHER PUBLICATIONS

U.S. patent application Ser. No. 29/190,990, filed Sep. 29, 2003, Miguel Parres.

U.S. patent application Ser. No. 29/190,992, filed Sep. 29, 2003, Miguel Parres.

U.S. patent application Ser. No. 29/191,024, filed Sep. 29, 2003, Miguel Parres.

U.S. patent application Ser. No. 29/191,038, filed Sep. 29, 2003, Miguel Parres.

Wall Mount bath 3Lt Incandescent, Oct. 2003, Kichler, Inc.

4 Light Cobalt Chandelier, Oct. 2003, Kichler, Inc.

3 Light Cobalt Bath Fixture, Oct. 2003, Kichler, Inc.

* cited by examiner

Primary Examiner—Clare E Heflin

(74) *Attorney, Agent, or Firm*—Jenkins & Gilchrist

(57) **CLAIM**

The ornamental design for the lighting fixture, as shown and described.

DESCRIPTION

FIG. 1 is a perspective view from above of a lighting fixture in accordance with my design;

FIG. 2 is a perspective view from below of a lighting fixture in accordance with my design;

FIG. 3 is a side elevation view of the lighting fixture in accordance with my design;

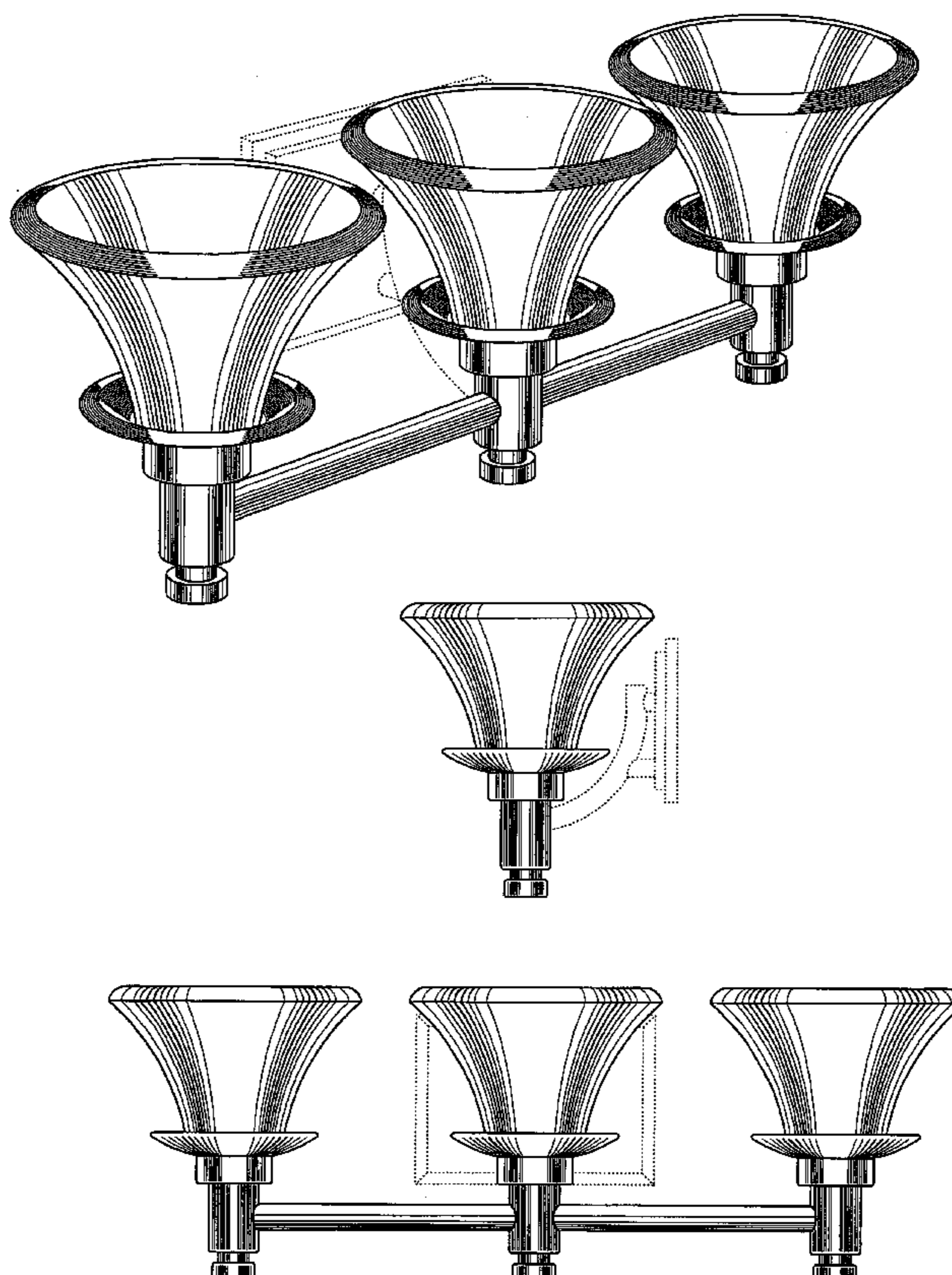
FIG. 4 is a front elevation view of the lighting fixture in accordance with my design;

FIG. 5 is a bottom plan view of the lighting fixture in accordance with my design; and,

FIG. 6 is a top plan view of the lighting fixture in accordance with my design.

The broken lines showing environmental structure are for illustrative purposes and form no part of the claimed design.

1 Claim, 4 Drawing Sheets



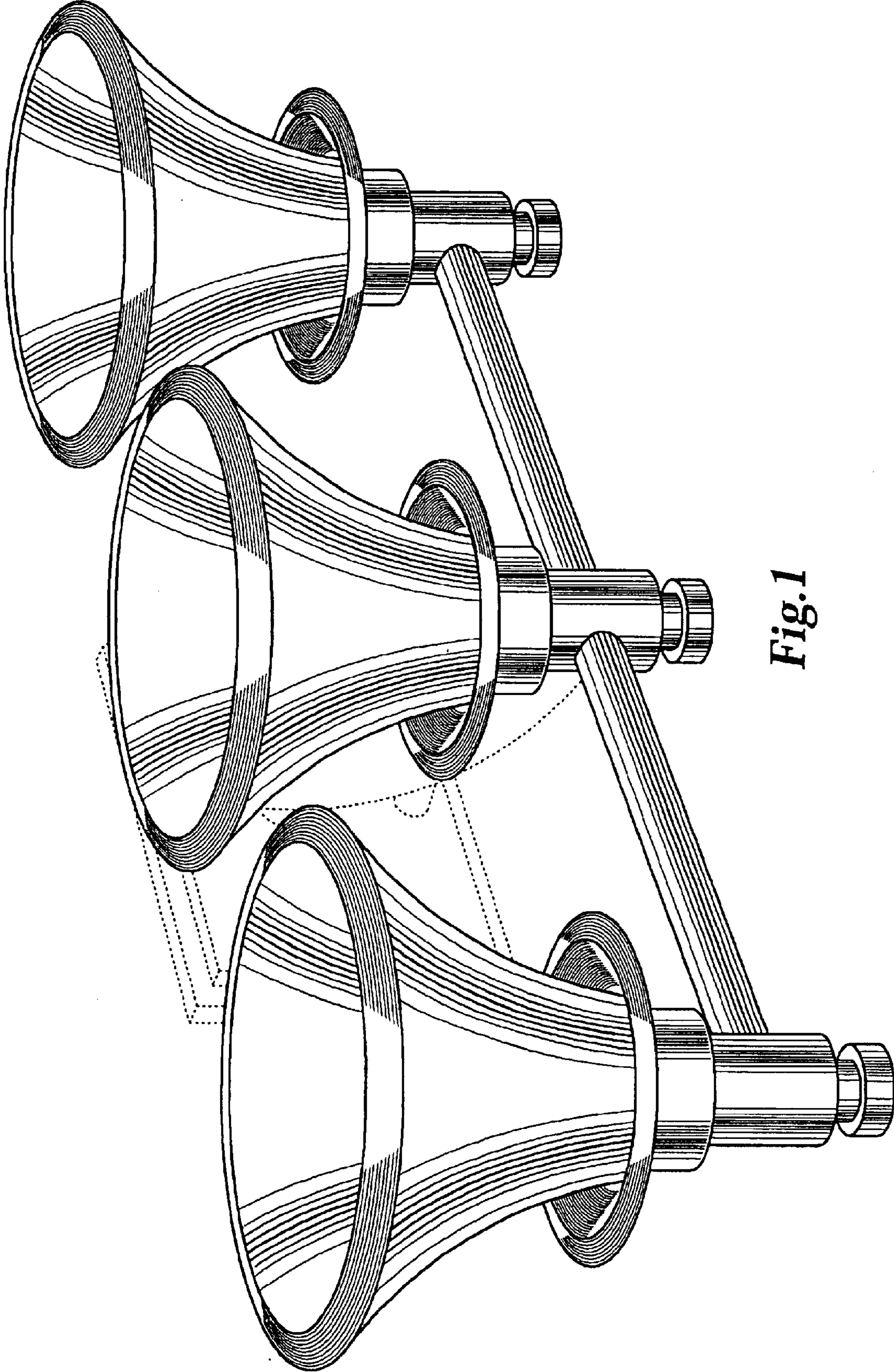
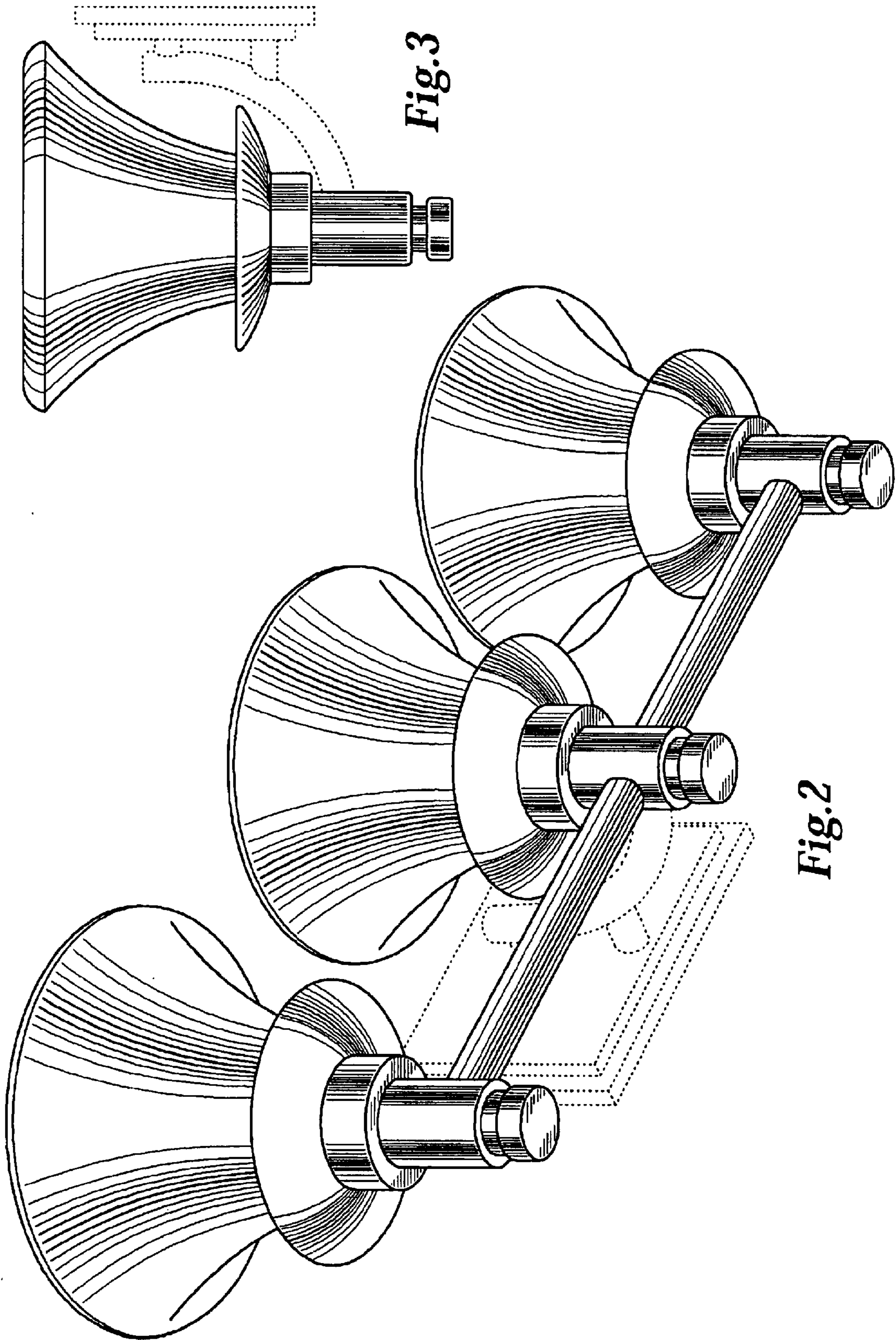


Fig. 1



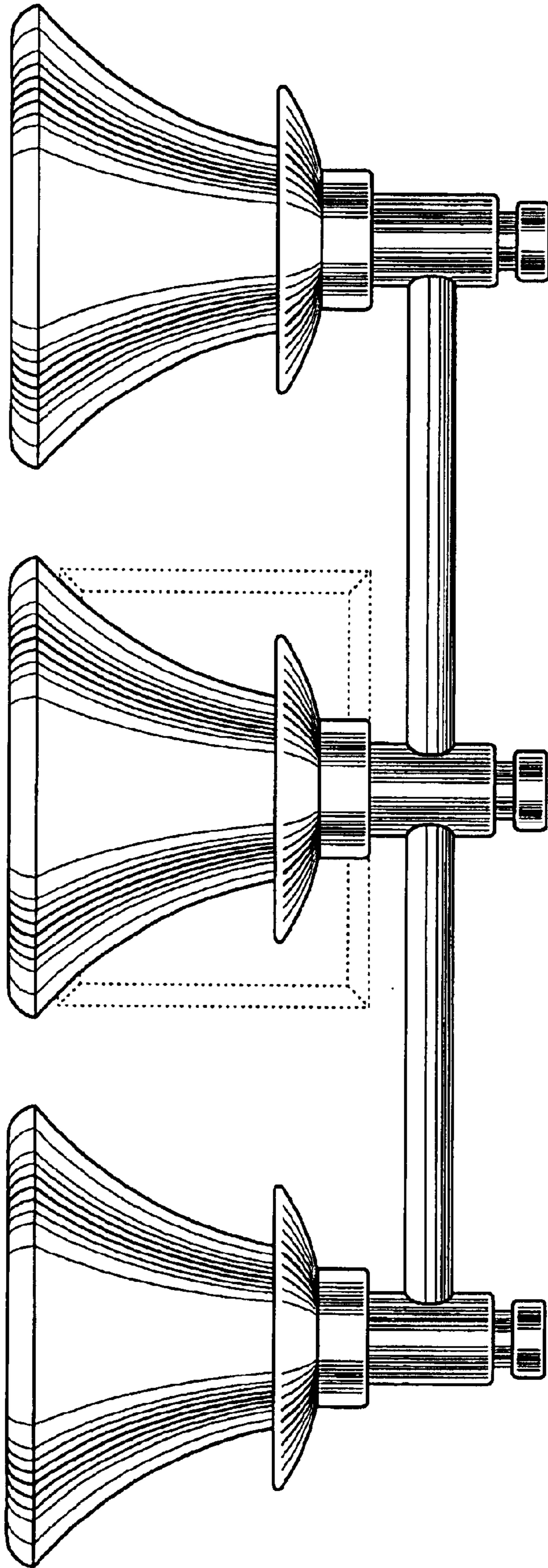


Fig. 4

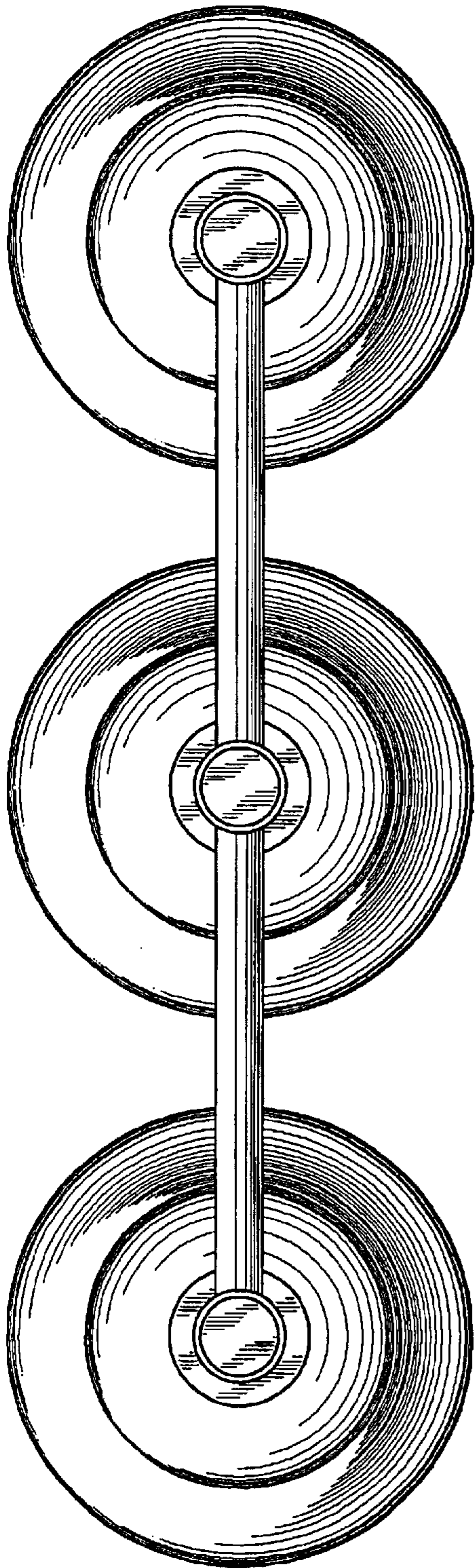


Fig. 5

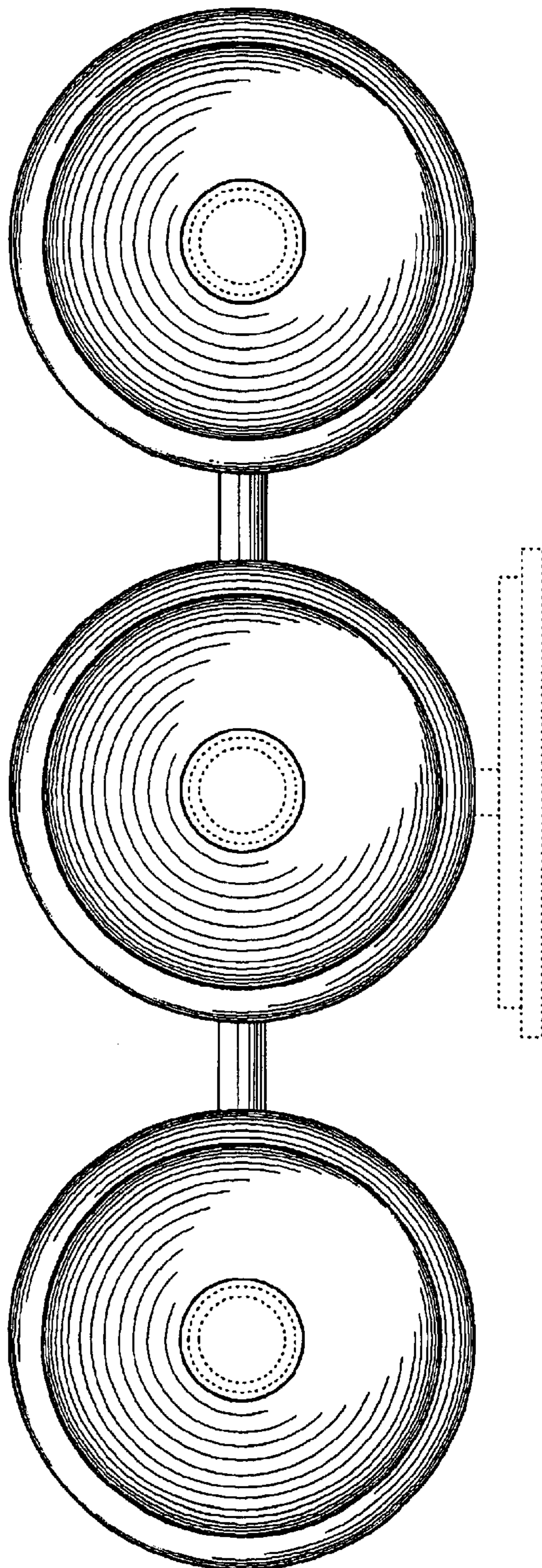


Fig. 6