



US00D501056S

(12) **United States Design Patent**
Dalton et al.

(10) **Patent No.: US D501,056 S**
(45) **Date of Patent: ** Jan. 18, 2005**

(54) **FLASHLIGHT**

D494,298 S * 8/2004 Brent D26/49

(75) Inventors: **David R. Dalton**, Turramurra (AU);
Timothy Rugendyke, Woy Woy (AU);
John Robert Brown, Mosman (AU)

* cited by examiner

Primary Examiner—Marcus A. Jackson
(74) *Attorney, Agent, or Firm*—Stewart A. Fraser

(73) Assignee: **Eveready Battery Company, Inc.**, St. Louis, MO (US)

(57) **CLAIM**

(**) Term: **14 Years**

We claim the ornamental design for a flashlight, as shown and described.

(21) Appl. No.: **29/190,248**

DESCRIPTION

(22) Filed: **Sep. 17, 2003**

FIG. 1 is a view showing the upper front right side perspective of the flashlight of the present invention;
FIG. 2 a plan view of the flashlight of the present invention;
FIG. 3 is an underneath view of the flashlight of the present invention;
FIG. 4 is a view of the left side elevation of the flashlight of the present invention;
FIG. 5 is a view of the right side elevation of the flashlight of the present invention;
FIG. 6 is a view of the front elevation of the flashlight of the present invention; and,
FIG. 7 is a view of the rear elevation of the flashlight of the present invention.

(30) **Foreign Application Priority Data**

Mar. 17, 2003 (AU) 973/2003

(51) **LOC (7) Cl.** **26-02**

(52) **U.S. Cl.** **D26/49**

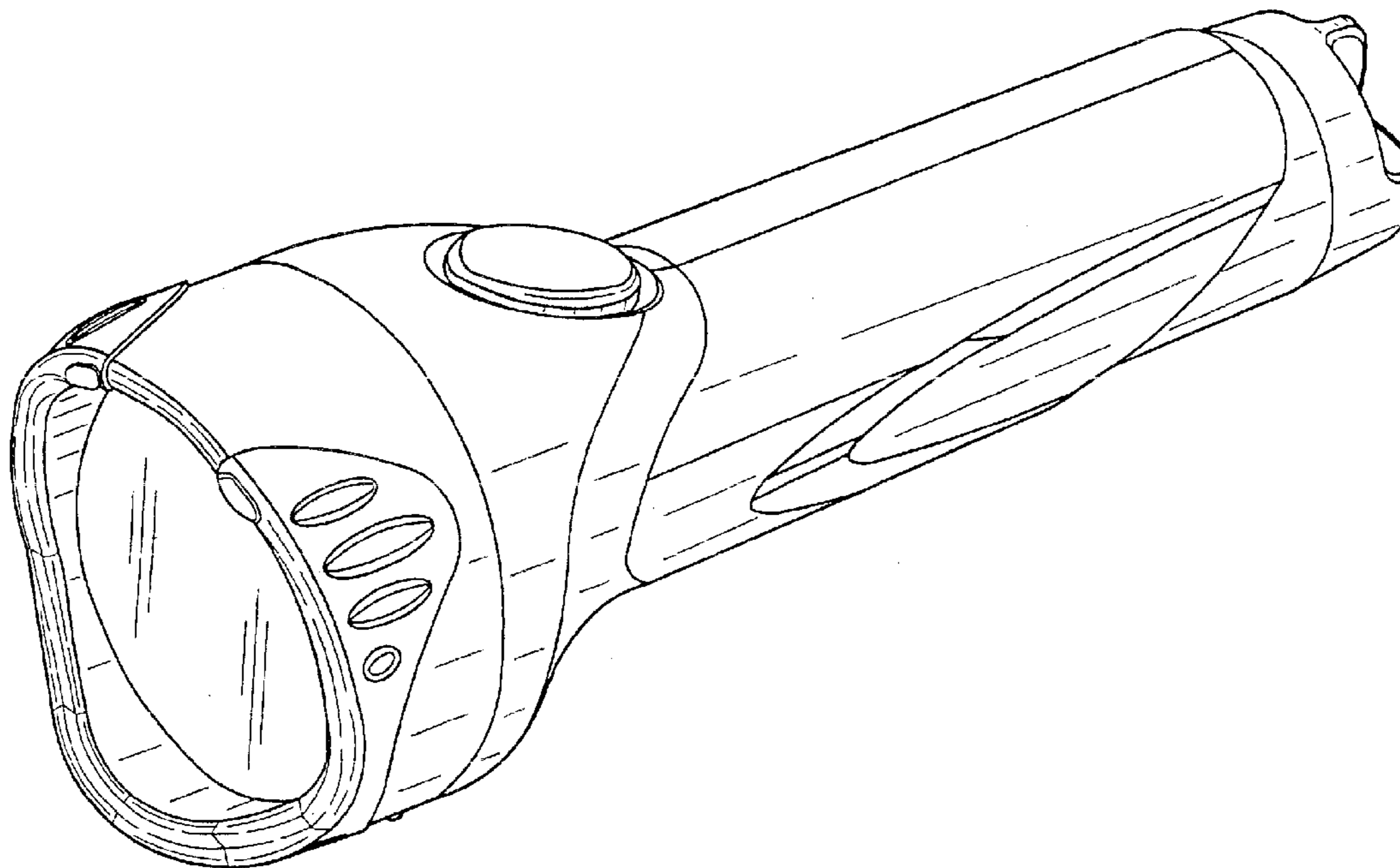
(58) **Field of Search** D26/37-50; 362/157,
362/158, 171-174, 183-208

(56) **References Cited**

U.S. PATENT DOCUMENTS

D492,807 S * 7/2004 Dalton et al. D26/49

1 Claim, 6 Drawing Sheets



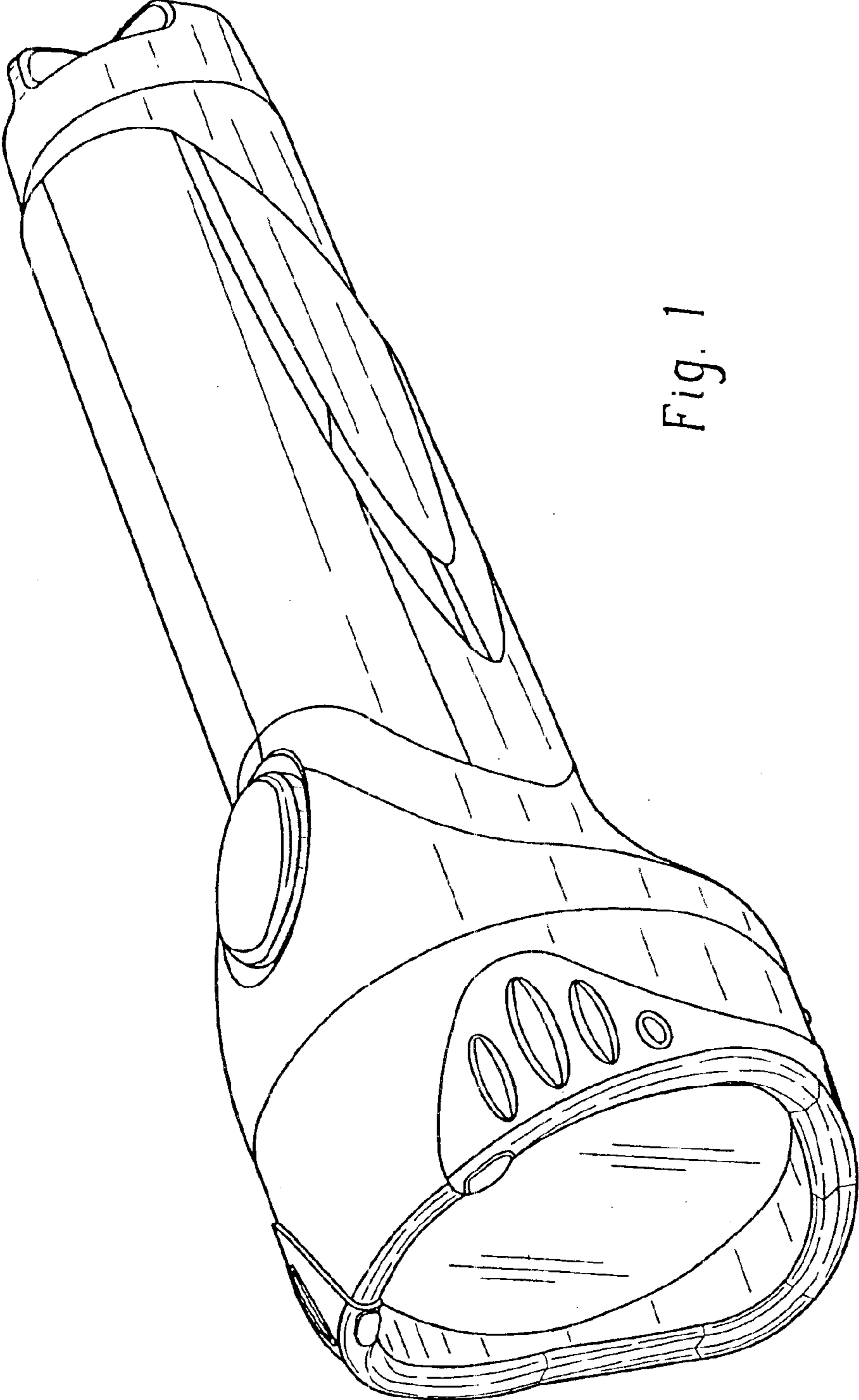


Fig. 1

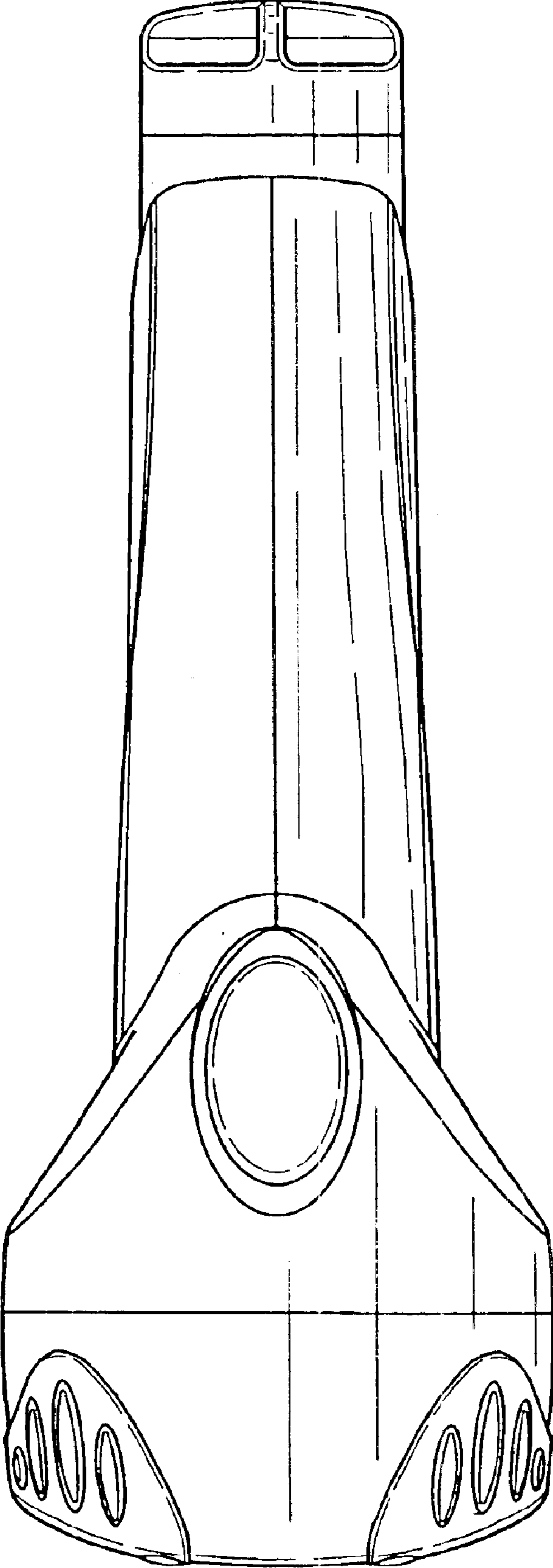


Fig. 2

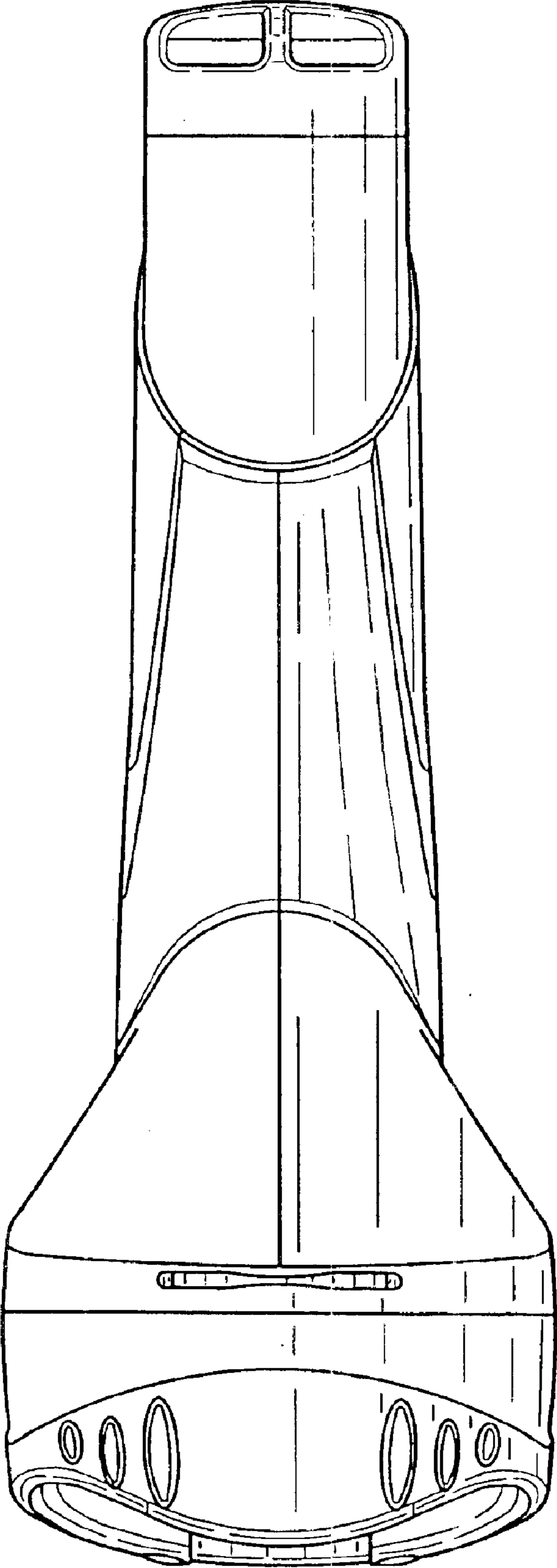


Fig. 3

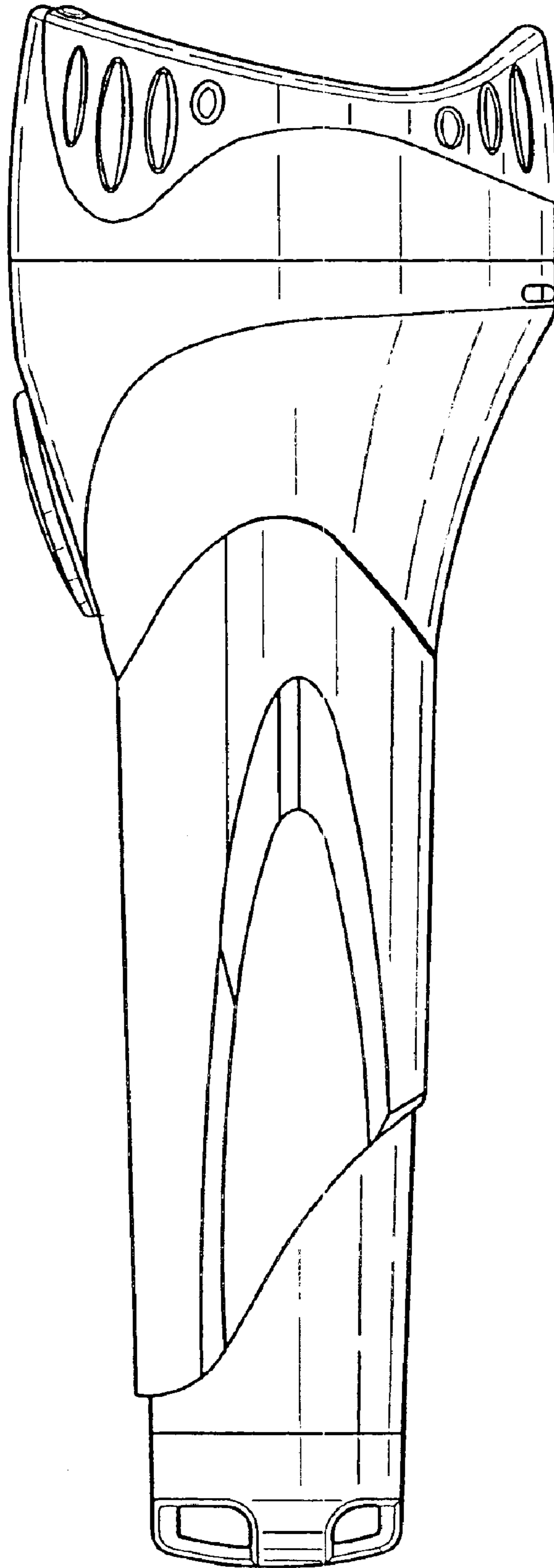


Fig. 4

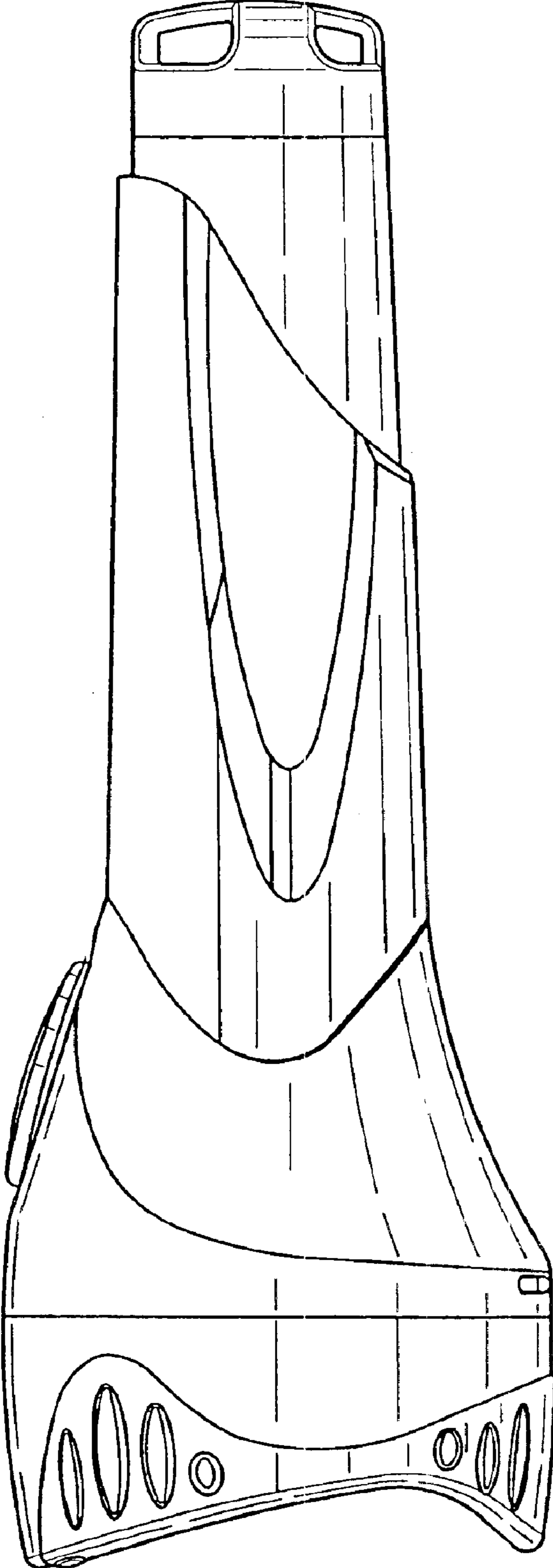


Fig. 5

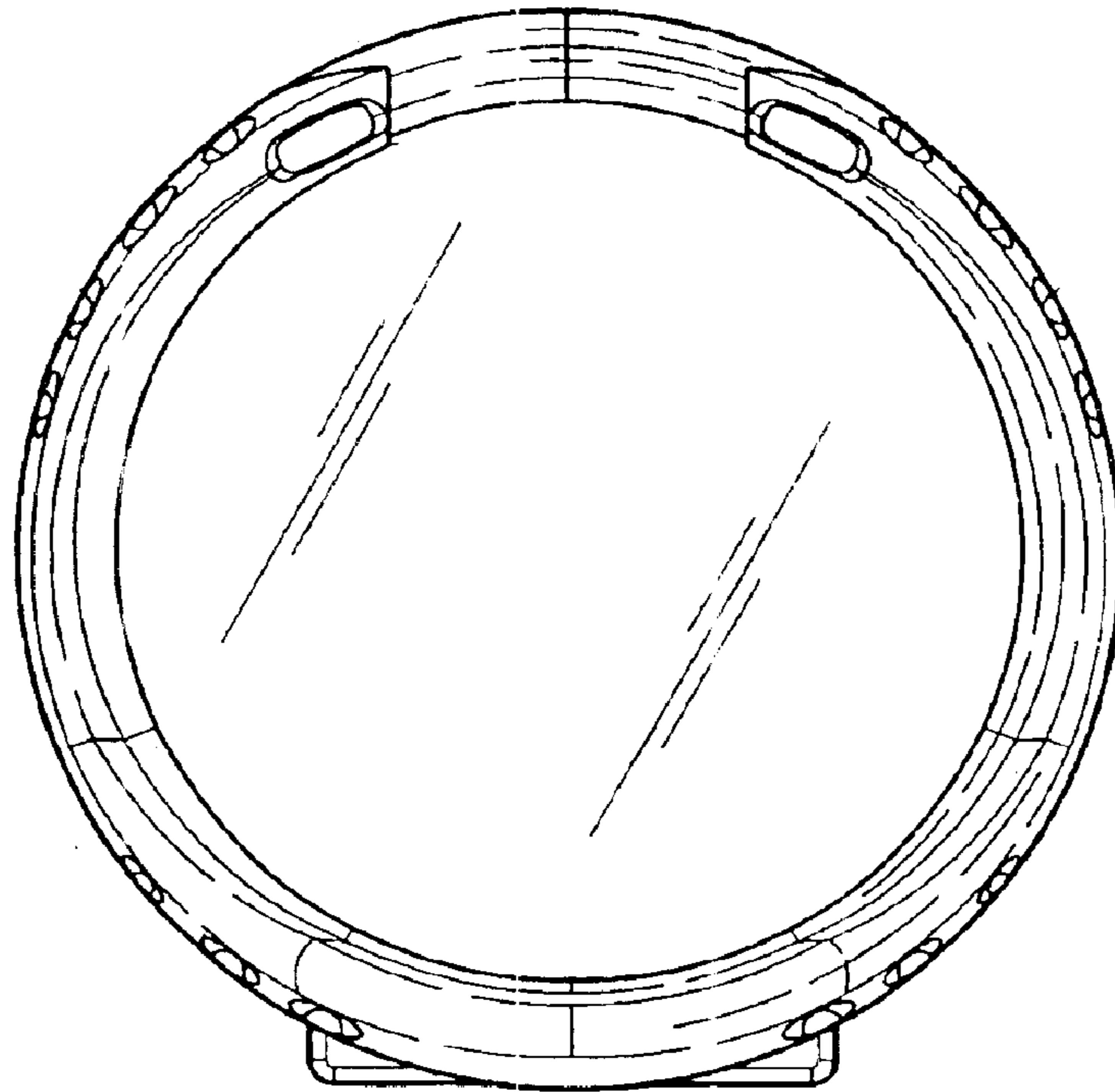


Fig. 6

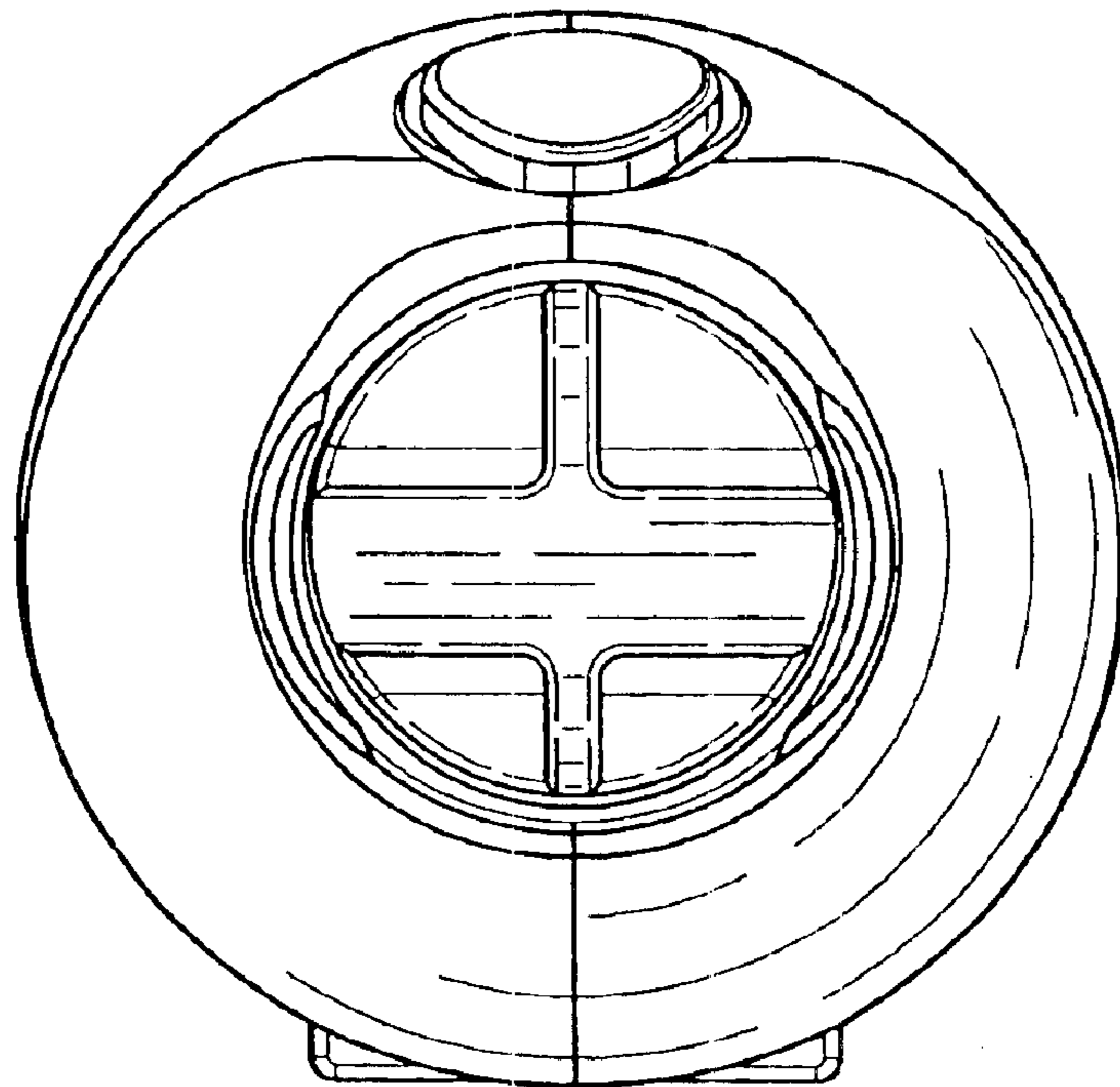


Fig. 7