

US00D501055S

(12) **United States Design Patent**
Packard

(10) **Patent No.:** **US D501,055 S**
(45) **Date of Patent:** **** Jan. 18, 2005**

(54) **FLASHLIGHT**

(76) **Inventor:** **David Packard**, 82 N. Quinsigamond Ave., Shrewsbury, MA (US) 01545

(**) **Term:** **14 Years**

(21) **Appl. No.:** **29/203,626**

(22) **Filed:** **Apr. 16, 2004**

(51) **LOC (7) Cl.** **26-02**

(52) **U.S. Cl.** **D26/37**

(58) **Field of Search** D26/37-50; 362/459-468, 362/473-476, 485-487

(56) **References Cited**

U.S. PATENT DOCUMENTS

4,280,881 A	7/1981	Montagna et al.	
4,371,428 A	2/1983	Montagna et al.	
D425,226 S	5/2000	Galli	
D429,831 S	* 8/2000	Ting D26/37
D434,164 S	11/2000	Galli	
D445,926 S	* 7/2001	Cheong D26/37
D455,510 S	4/2002	Galli	
D455,513 S	4/2002	Galli	
D463,593 S	9/2002	Galli	
D465,864 S	* 11/2002	Shiu D26/37
D467,672 S	12/2002	Galli	
D468,464 S	1/2003	Galli	
D468,851 S	1/2003	Galli	
D469,900 S	2/2003	Galli	
6,523,973 B2	2/2003	Galli	
6,527,419 B1	3/2003	Galli	
6,530,672 B2	3/2003	Galli	
D473,961 S	4/2003	Galli	

D475,798 S	6/2003	Galli
D476,103 S	6/2003	Galli
D479,013 S	8/2003	Galli
6,626,556 B2	9/2003	Galli
D481,482 S	10/2003	Mah

OTHER PUBLICATIONS

U.S. patent application Ser. No. 29/194,237, Packard, filed Nov. 20, 2003.

* cited by examiner

Primary Examiner—Marcus A. Jackson

(74) *Attorney, Agent, or Firm*—Iandiorio & Teska

(57) **CLAIM**

The ornamental design for the flashlight, as shown and described.

DESCRIPTION

FIG. 1 is a front perspective view of the flashlight of this invention;

FIG. 2 is a side view of the flashlight of this invention;

FIG. 3 is a top view of the flashlight of this invention;

FIG. 4 is a front end view of the flashlight of this invention;

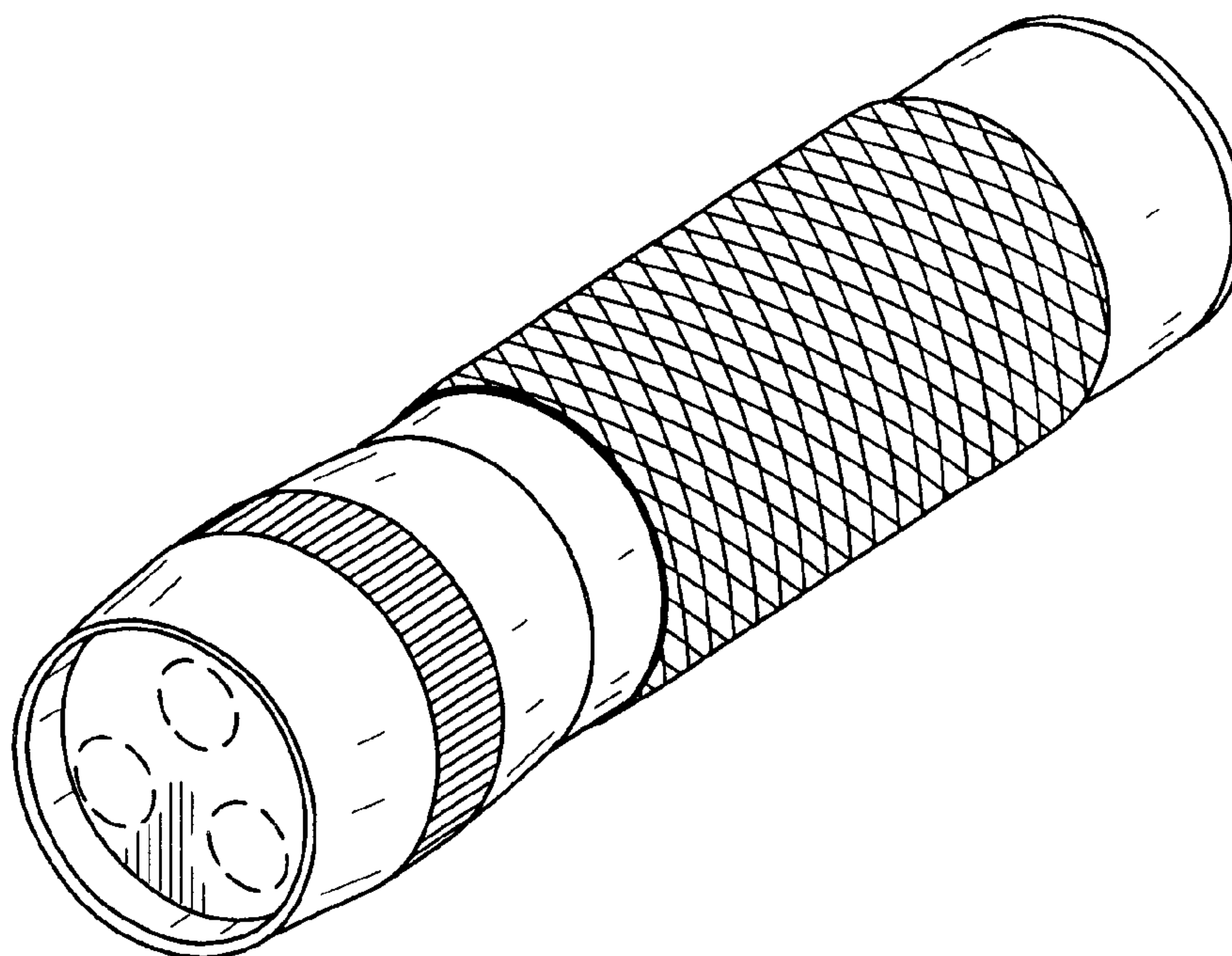
FIG. 5 is a rear end view of the flashlight of this invention;

and,

FIG. 6 is a rear perspective view of the flashlight of this invention.

The LEDs of the flashlight as shown in broken lines for illustrative purposes only and form no part of the claimed design.

1 Claim, 6 Drawing Sheets



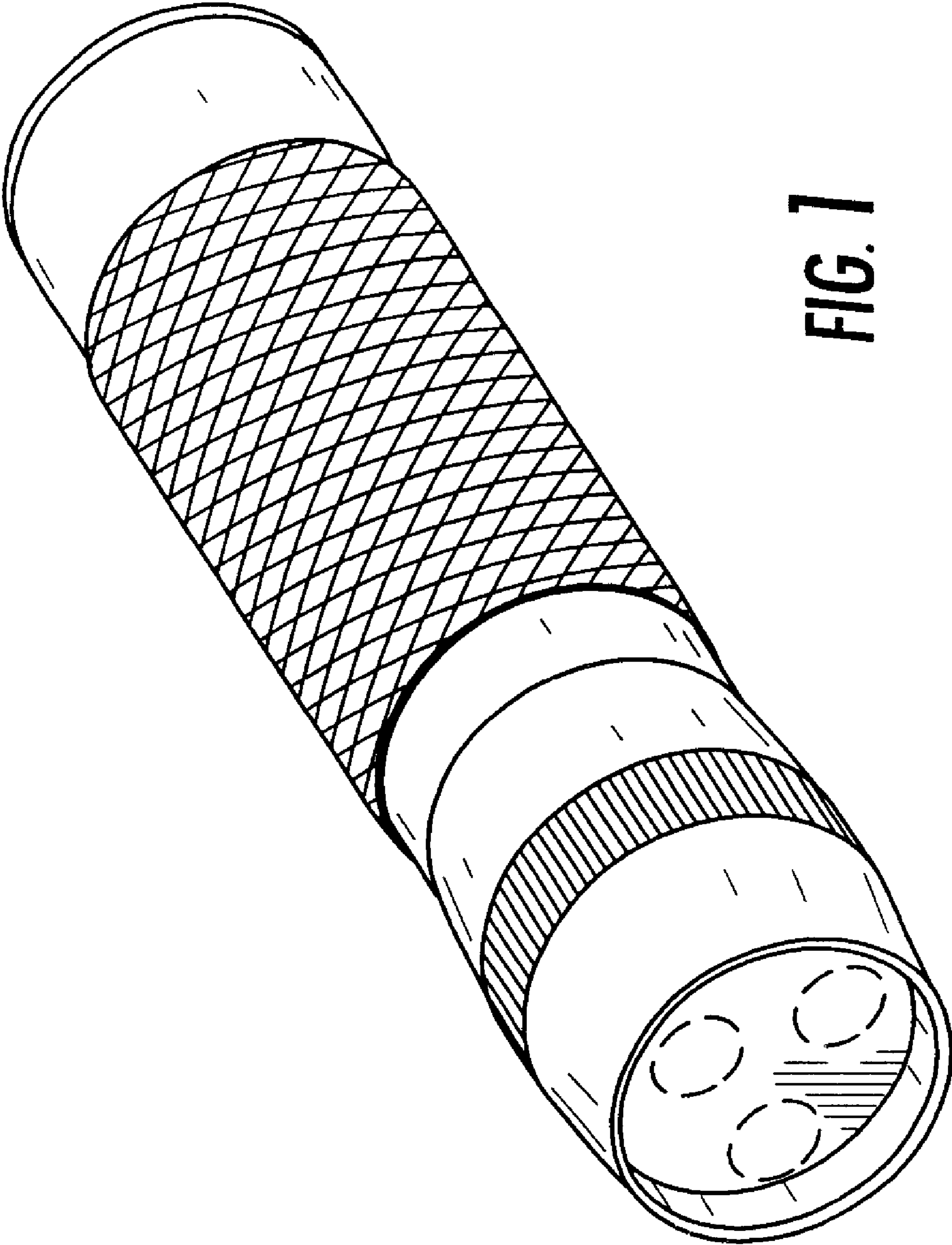


FIG. 1

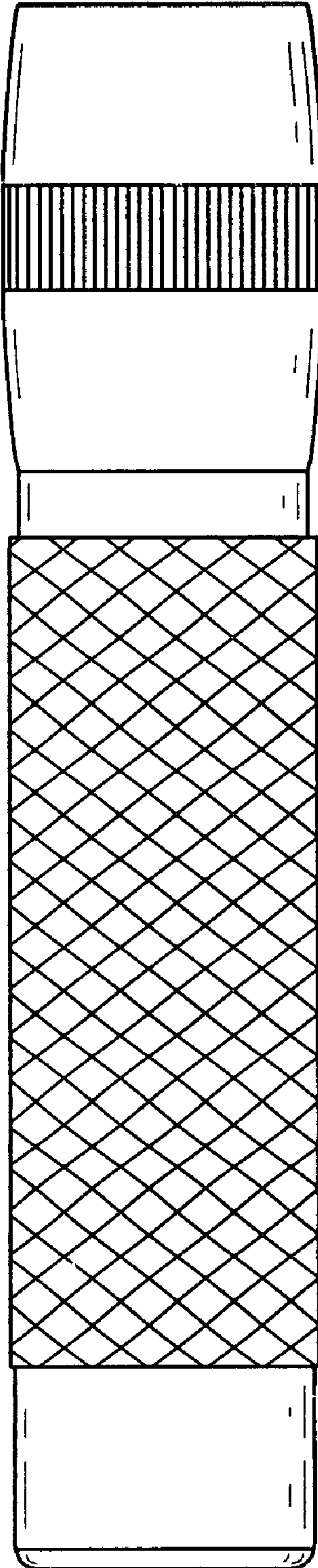


FIG. 2

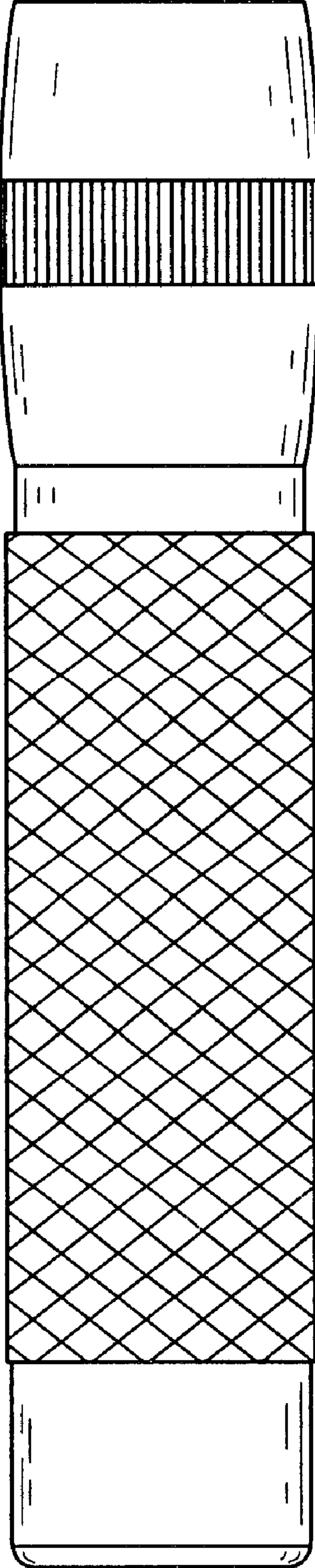


FIG. 3

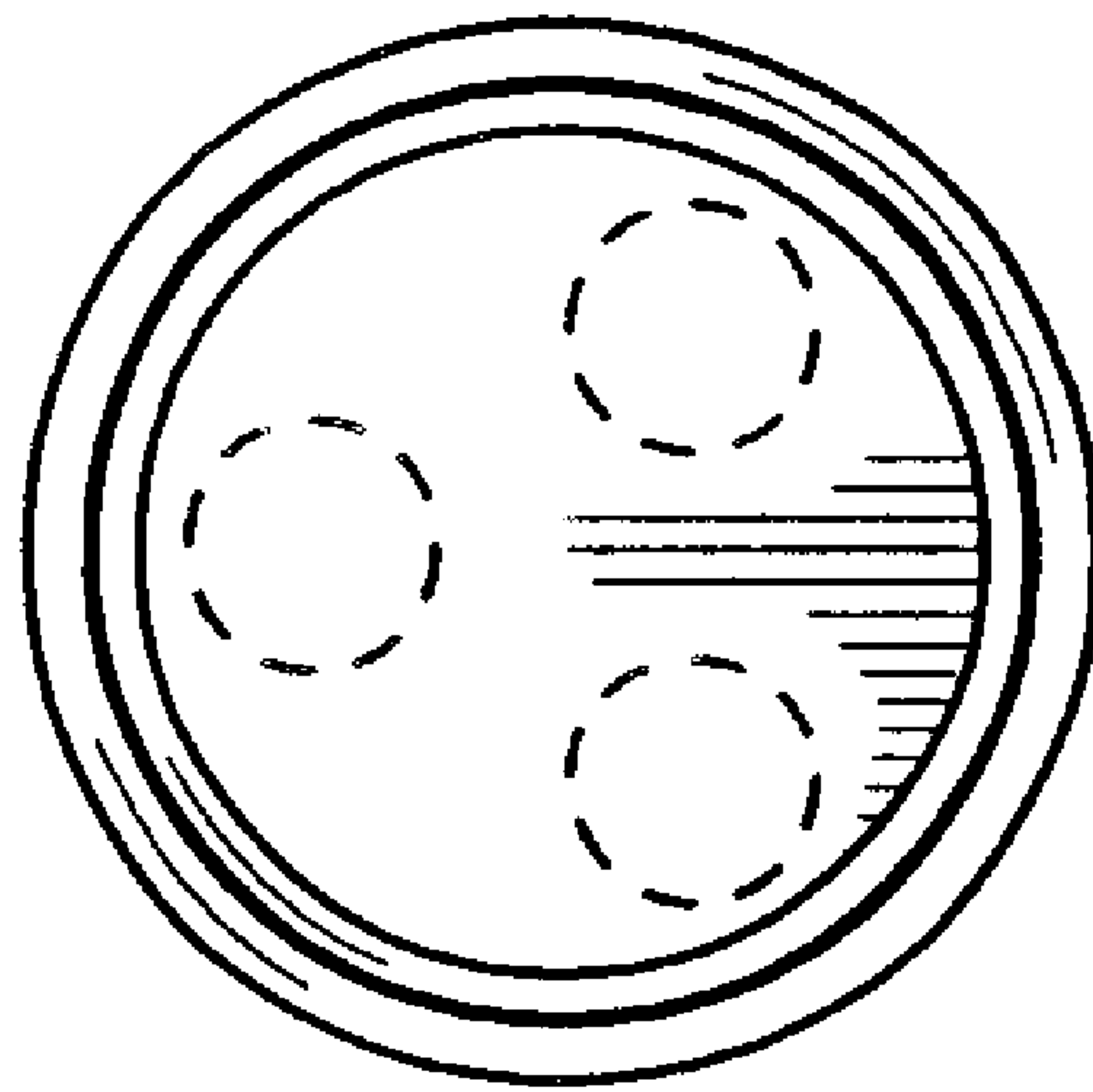


FIG. 4

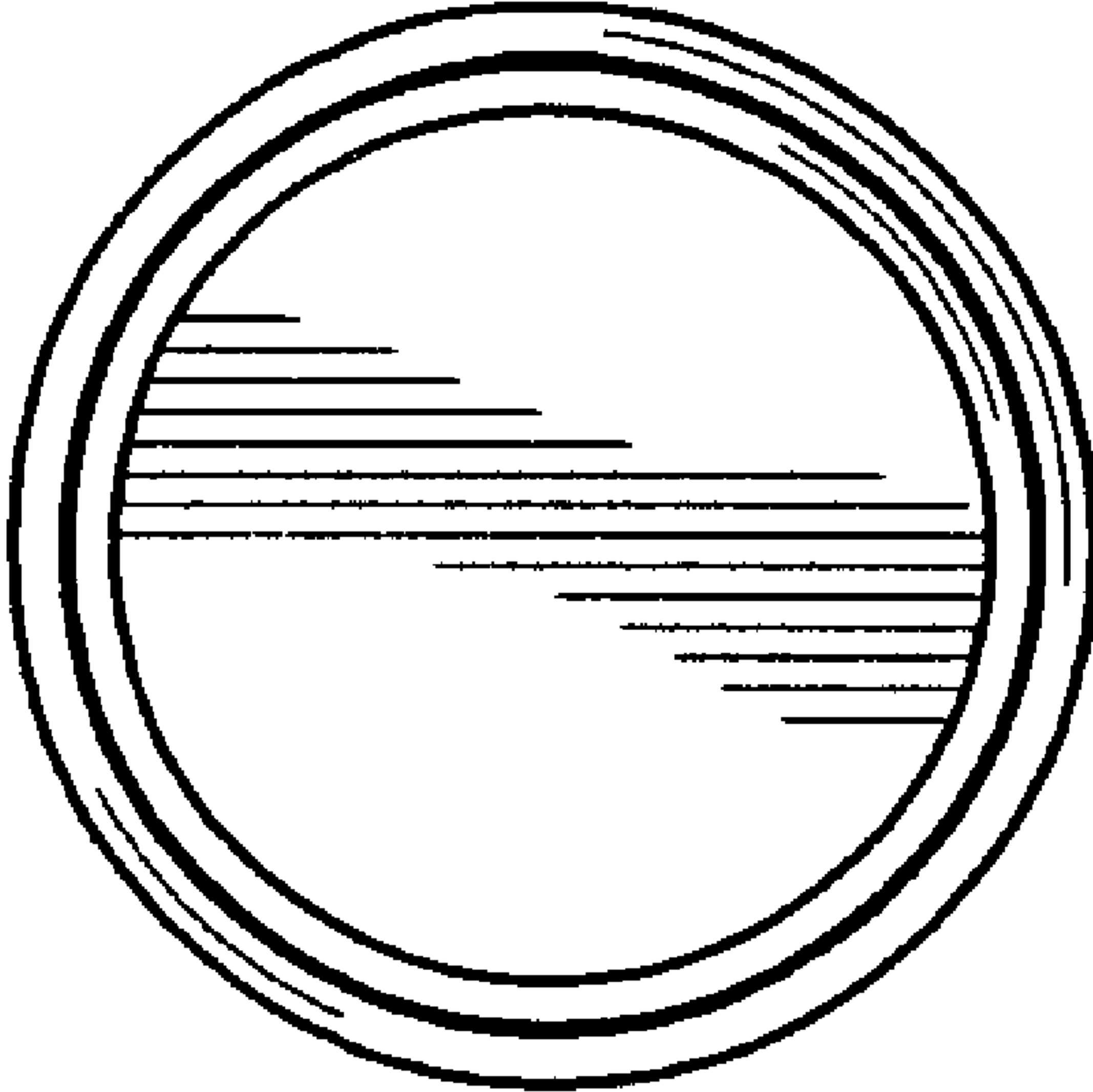


FIG. 5

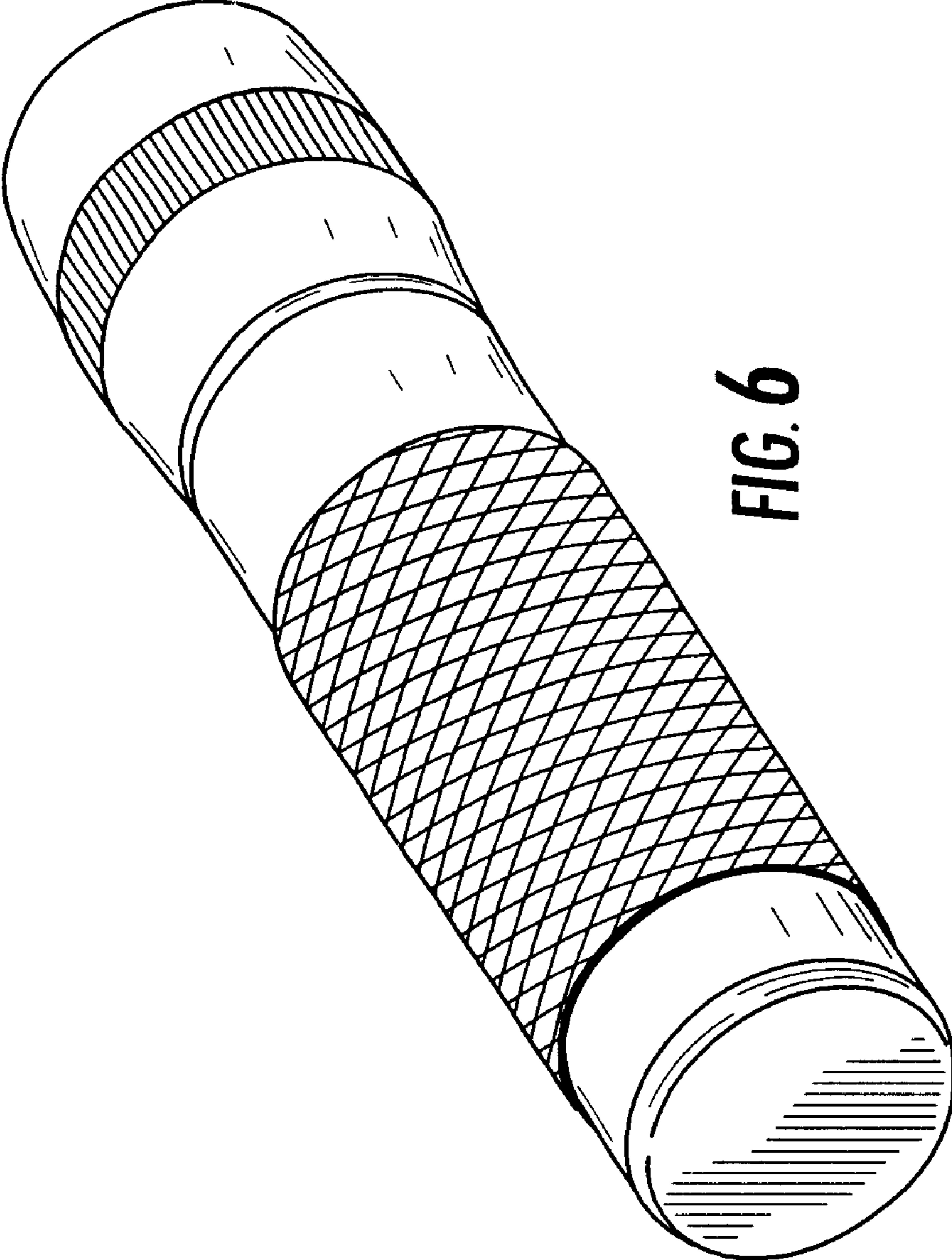


FIG. 6