

US00D501053S

(12) **United States Design Patent**
Kamimura et al.

(10) **Patent No.:** **US D501,053 S**
(45) **Date of Patent:** **** Jan. 18, 2005**

(54) **REAR COMBINATION LAMP FOR AN AUTOMOBILE**

JP 810430 7/1997
JP 1042438 11/2000
JP 1098196 1/2001

(75) Inventors: **Tadahiro Kamimura, Saitama (JP); Hajime Maniwa, Saitama (JP)**

OTHER PUBLICATIONS

(73) Assignee: **Honda Motor Co., Ltd., Tokyo (JP)**

Notification of Refusal Reasons from Japanese Patent Office in Design Appln. No. 2003-027684 dated Feb. 27, 2004 with translation.

(**) Term: **14 Years**

* cited by examiner

(21) Appl. No.: **29/201,691**

Primary Examiner—Marcus A. Jackson

(22) Filed: **Mar. 19, 2004**

(74) *Attorney, Agent, or Firm*—Westerman, Hattori, Daniels & Adrian, LLP

(30) **Foreign Application Priority Data**

Sep. 22, 2003 (JP) 2003-027684

(51) **LOC (7) Cl.** **26-06**

(52) **U.S. Cl.** **D26/28**

(58) **Field of Search** D26/28-36; 362/458-469, 362/475-478, 485-487

(57) **CLAIM**

The ornamental design for, rear combination lamp for an automobile, as shown and described.

(56) **References Cited**

U.S. PATENT DOCUMENTS

D477,098 S * 7/2003 Moriai et al. D26/28
D483,890 S * 12/2003 Lin D26/28
D490,178 S * 5/2004 Lin D26/28

DESCRIPTION

FIG. 1 is a front elevation view of rear combination lamp for an automobile, showing our new design; FIG. 2 is a rear elevation view thereof; FIG. 3 is a top plan view thereof; FIG. 4 is a bottom plan view thereof; FIG. 5 is a right side elevation view thereof; FIG. 6 is a left side elevation view thereof; FIG. 7 is a perspective view thereof; and, FIG. 8 is another perspective view thereof.

FOREIGN PATENT DOCUMENTS

JP 810430 4/1991

1 Claim, 4 Drawing Sheets

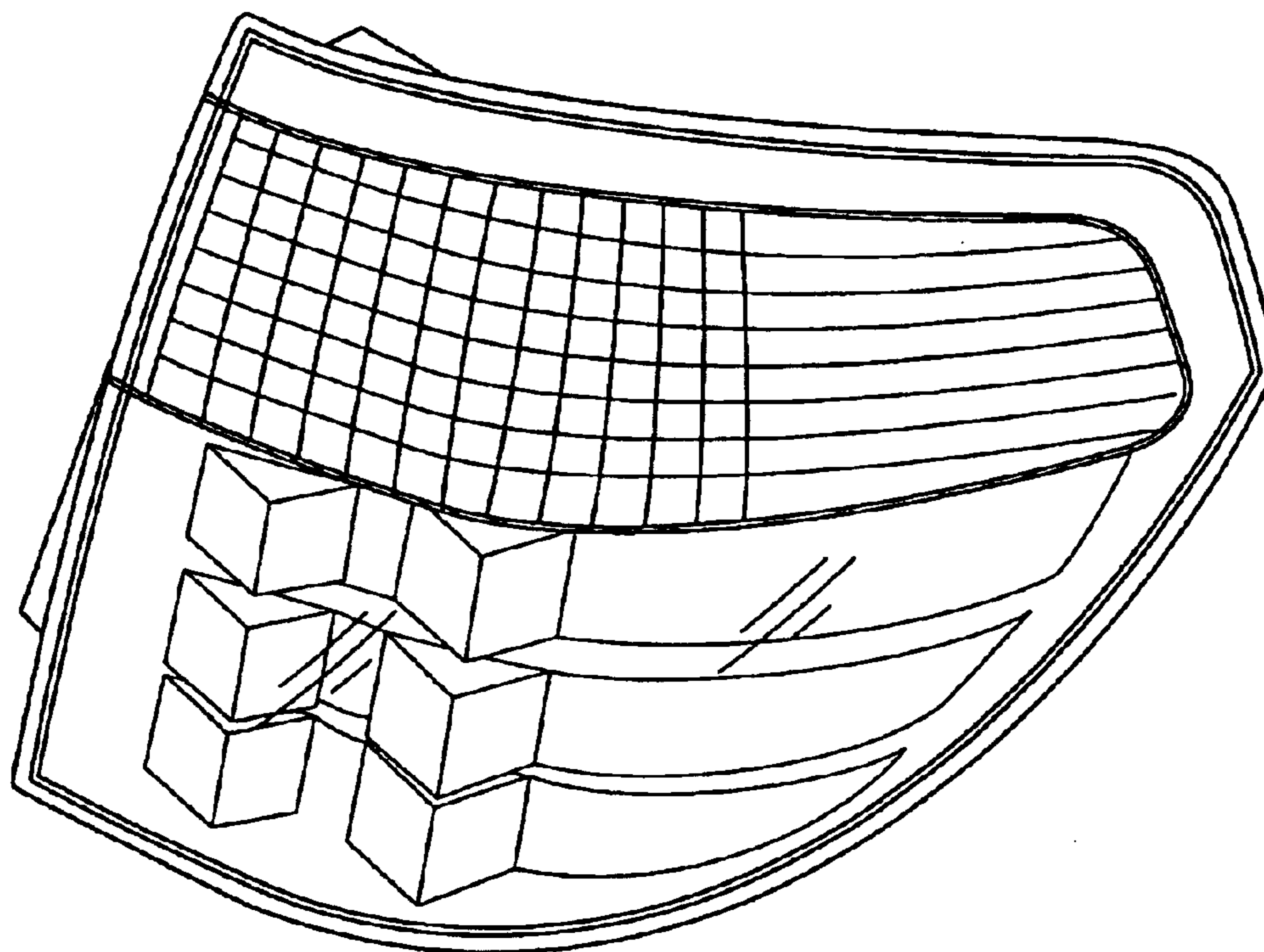


Fig. 1

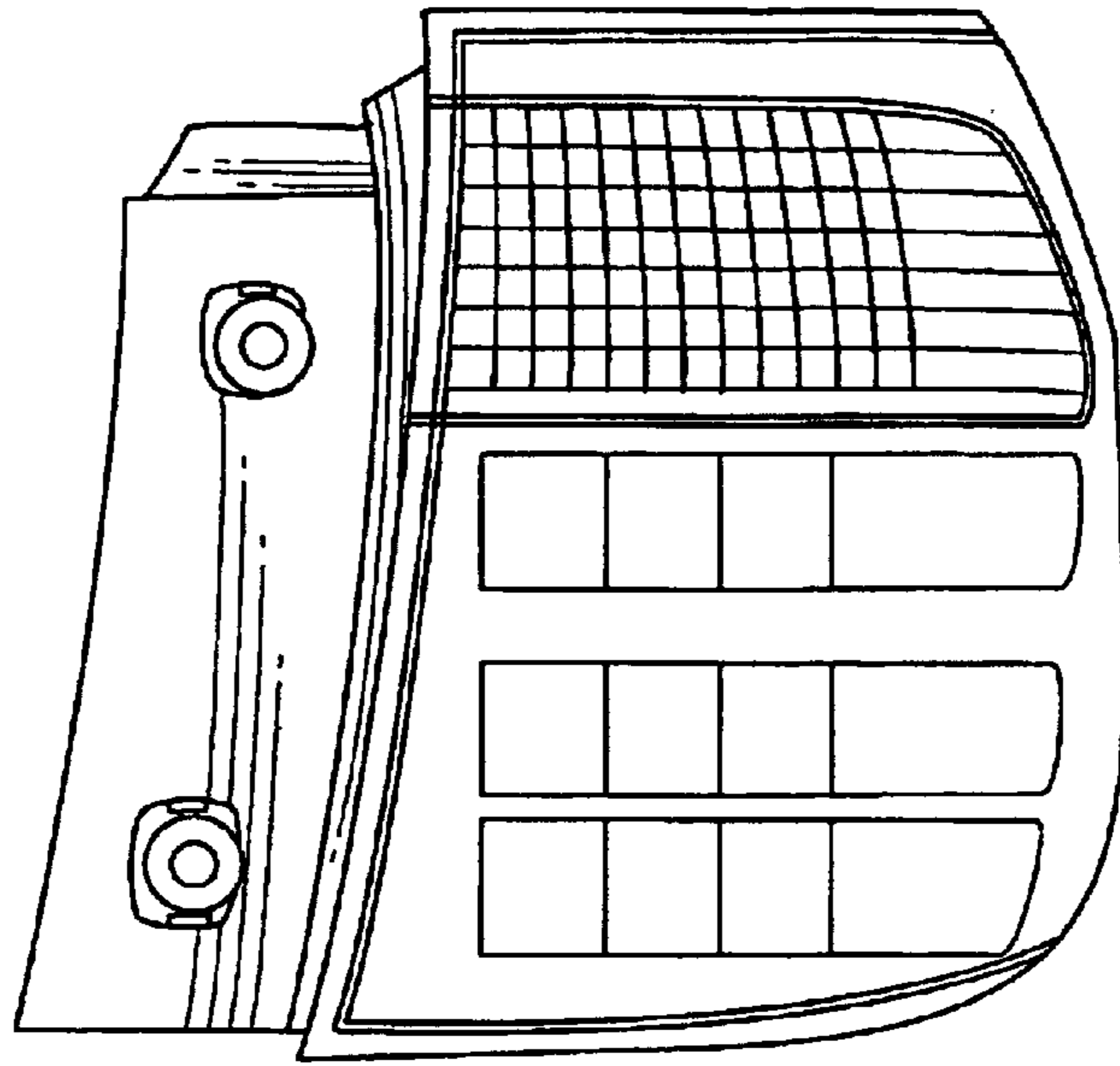


Fig. 2

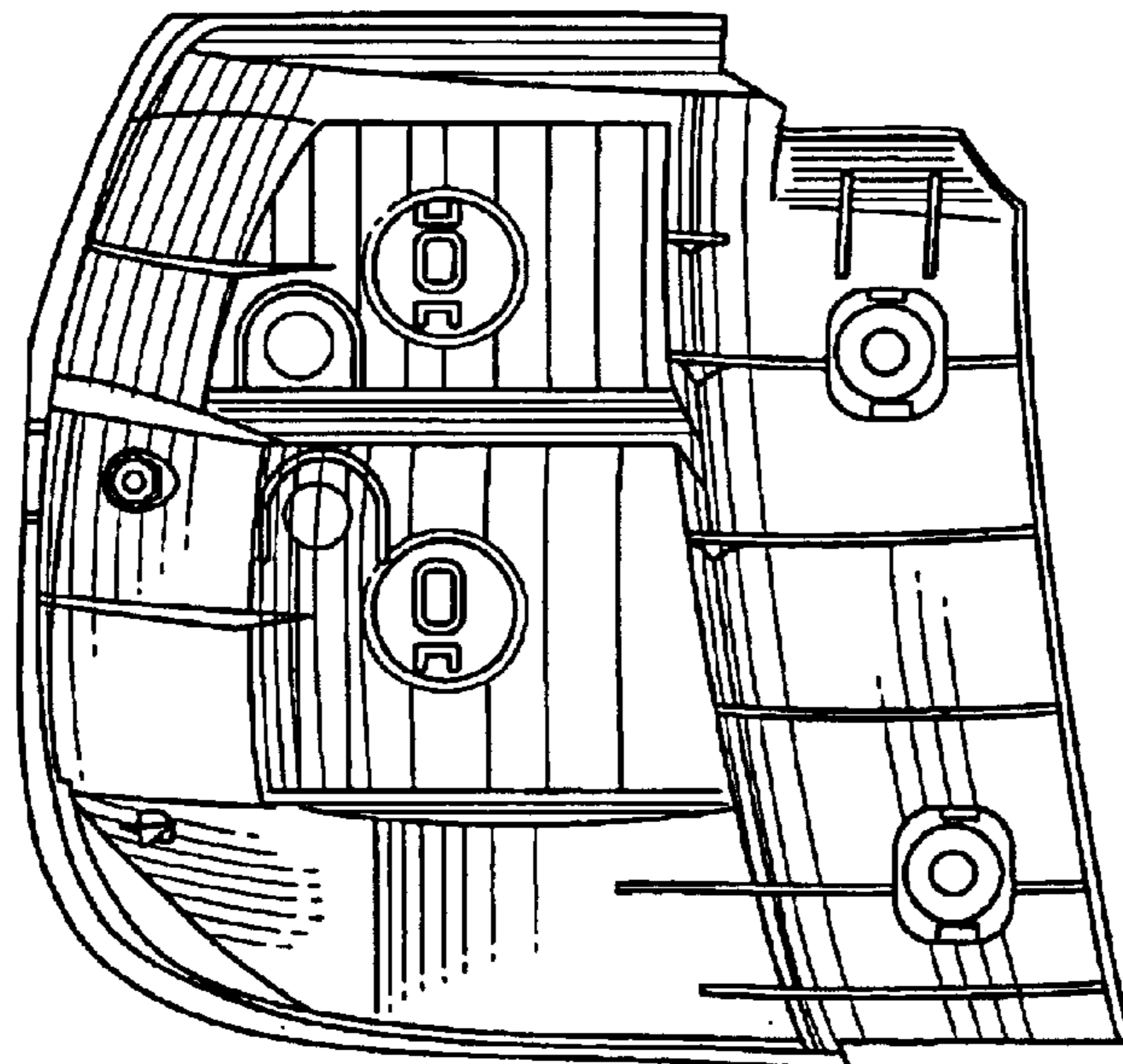


Fig.3

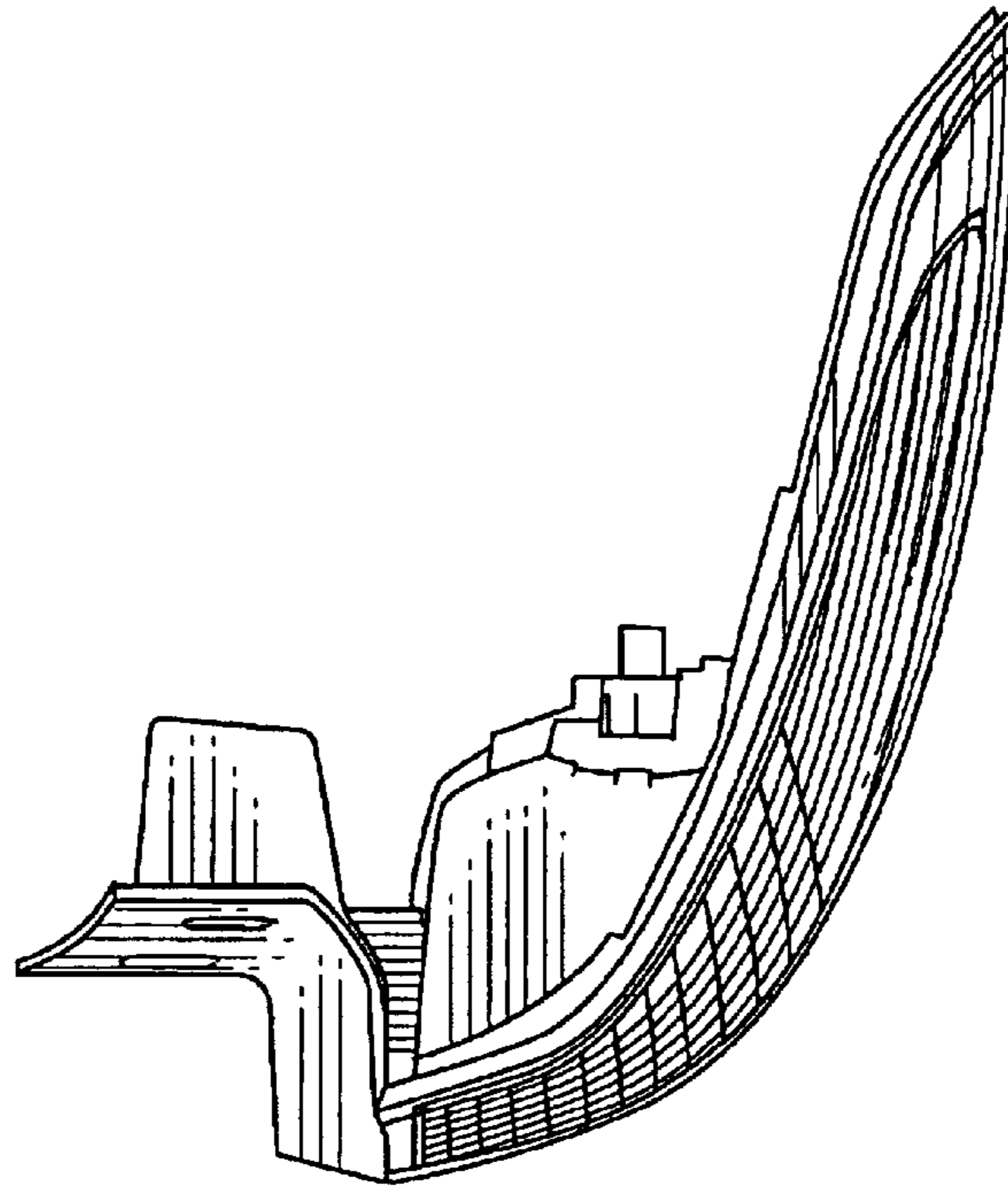


Fig.4

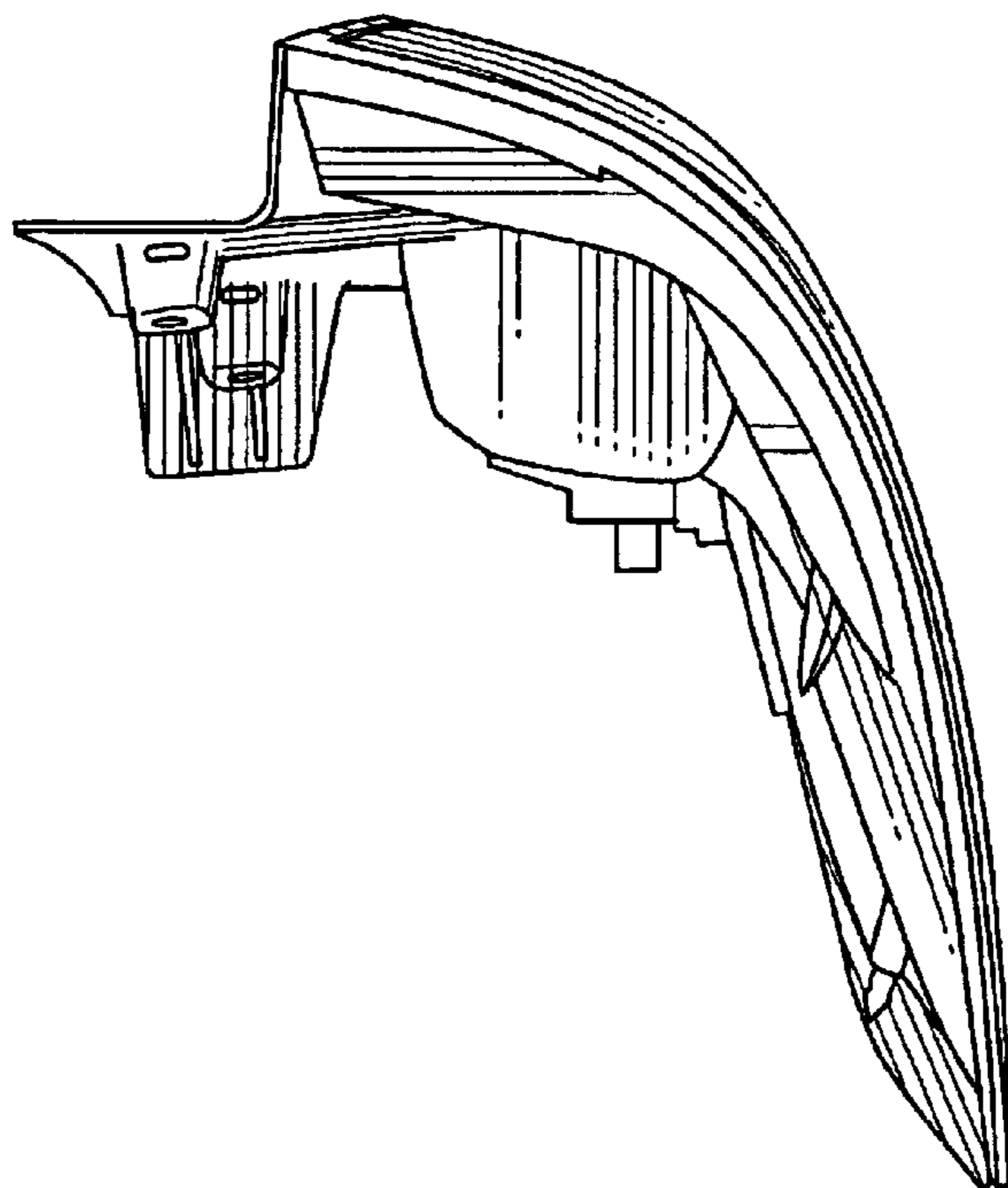


Fig.5

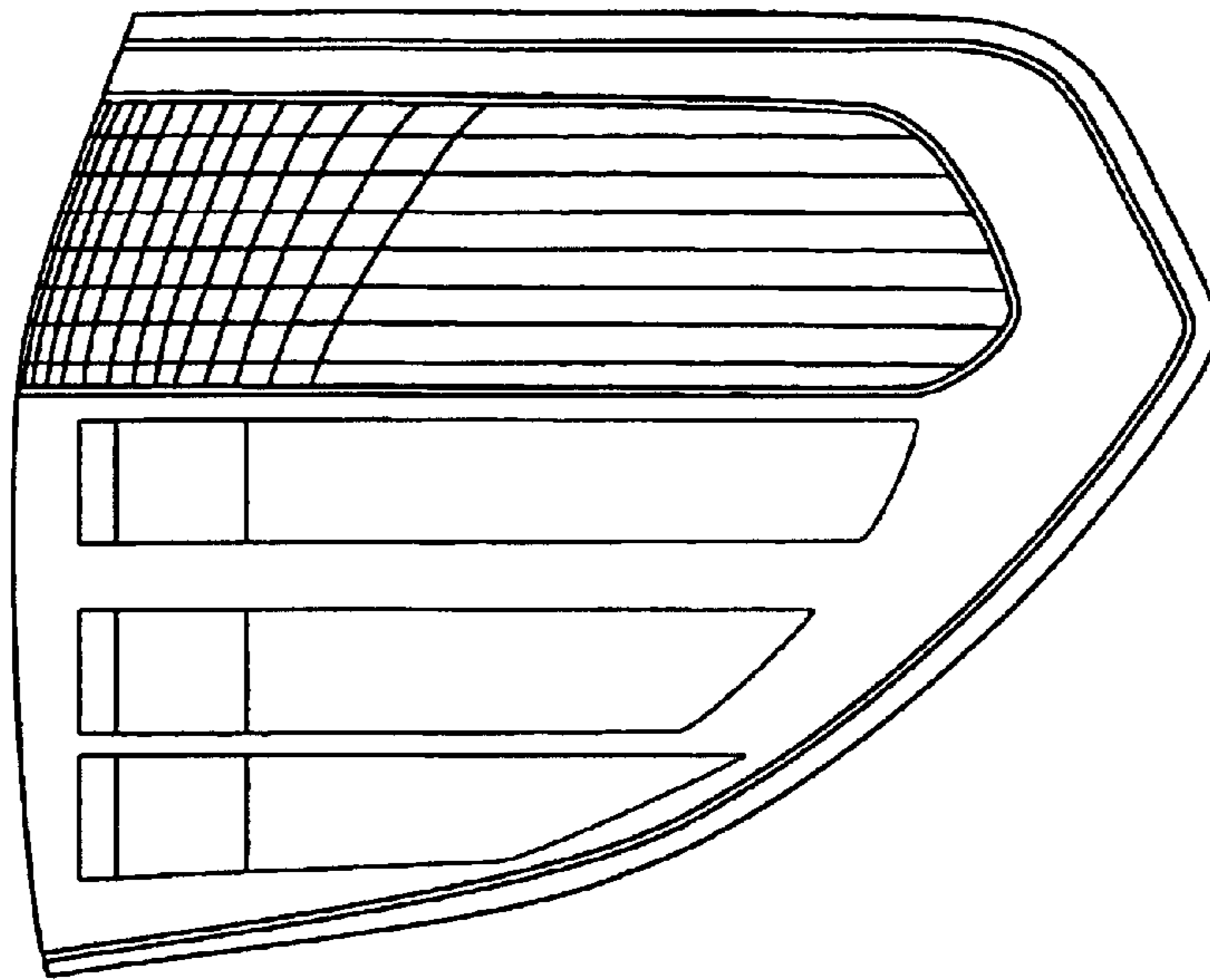


Fig.6

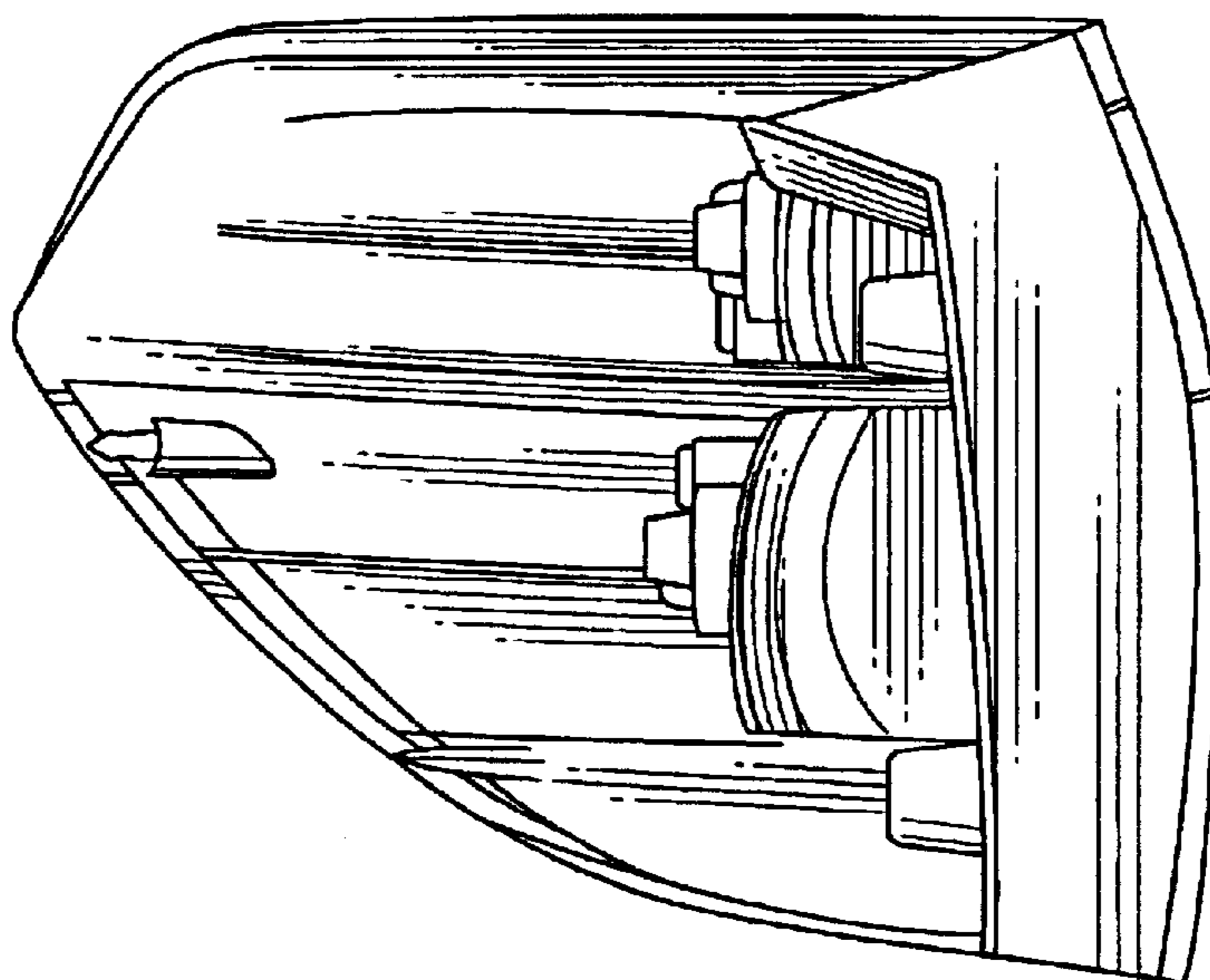


Fig.7

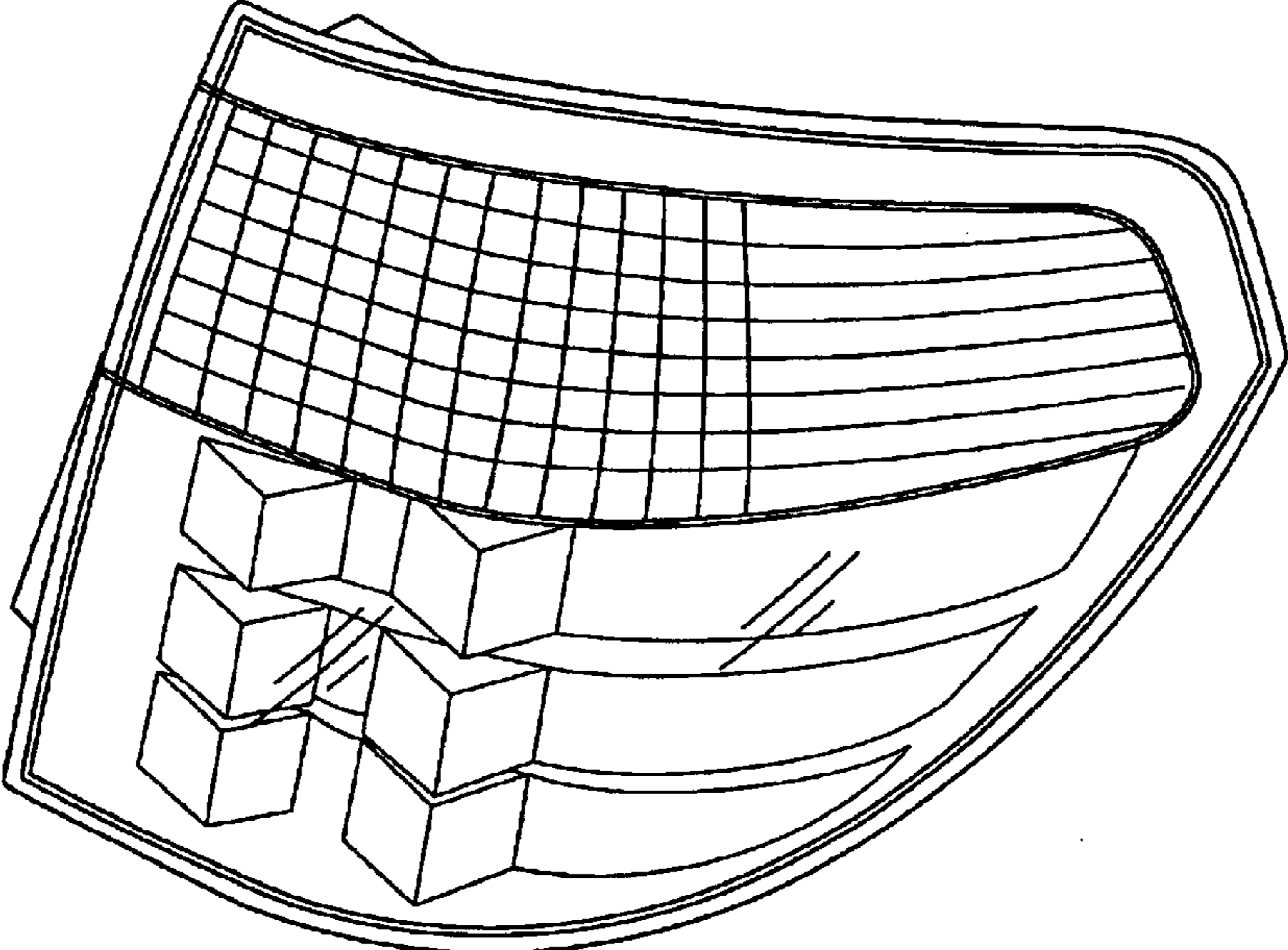


Fig.8

