

US00D501048S

(12) **United States Design Patent**
Hacker

(10) **Patent No.:** **US D501,048 S**
(45) **Date of Patent:** **** Jan. 18, 2005**

(54) **PROSTATE MASSAGER**

5,853,362 A * 12/1998 Jacobs
5,861,000 A * 1/1999 Takashima

(76) Inventor: **James Theodore Hacker**, 4218
Inverrary Blvd., #94B, Lauderhill, FL
(US) 33319

* cited by examiner

Primary Examiner—Stella Reid

(**) Term: **14 Years**

(57) **CLAIM**

(21) Appl. No.: **29/191,942**

The ornamental design for a prostate massager.

(22) Filed: **Oct. 16, 2003**

DESCRIPTION

(51) **LOC (7) Cl.** **24-04**

FIG. 1 is a left side elevation view of a prostate massager, showing my new design, the right side elevation view being identical thereto;

(52) **U.S. Cl.** **D24/214; D24/200**

FIG. 2 is a front end view thereof;

(58) **Field of Search** D24/200, 211,

FIG. 3 is a rear end view thereof;

D24/214; 600/38, 39; 601/134, 135

FIG. 4 is a top view thereof;

(56) **References Cited**

FIG. 5 is a bottom view thereof;

U.S. PATENT DOCUMENTS

FIG. 6 is a left side elevation view thereof, with the internal probe removed, the right side elevation view being identical thereto;

2,342,557 A * 2/1944 Ross

FIG. 7 is a front end view thereof;

2,478,786 A * 8/1949 Smallen

FIG. 8 is a rear end view thereof;

4,002,164 A * 1/1977 Bradley

FIG. 9 is a top view thereof; and,

D304,760 S * 11/1989 Curtis et al.

FIG. 10 is a bottom view thereof.

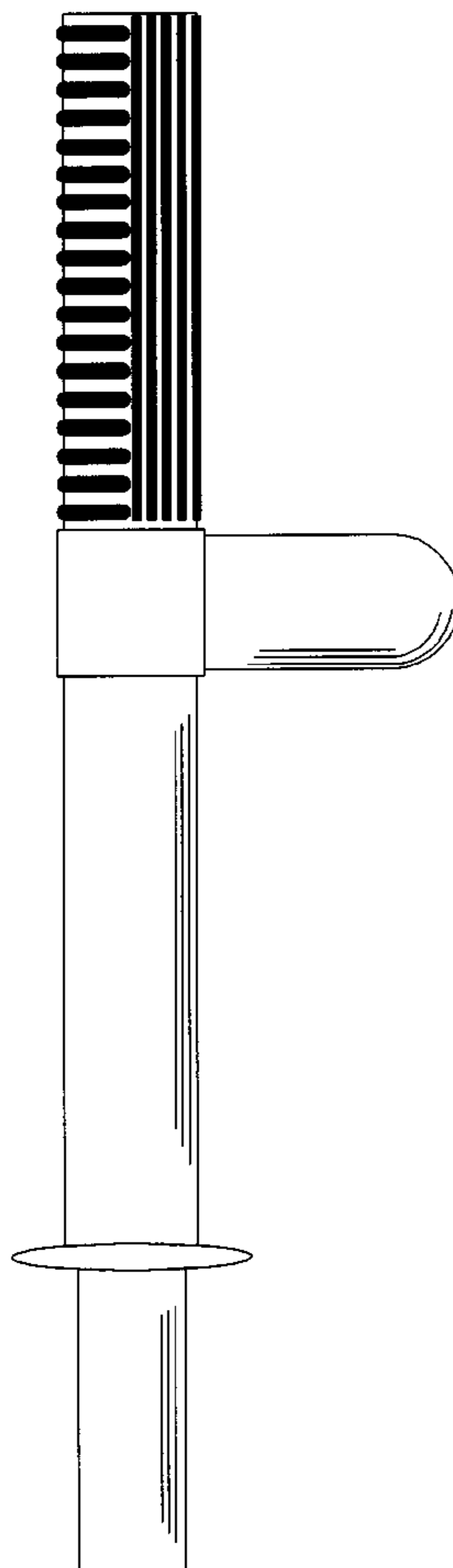
5,690,603 A * 11/1997 Kain

5,690,604 A * 11/1997 Barnett

D393,723 S * 4/1998 Stojanovic D24/200

D396,287 S * 7/1998 Morales

1 Claim, 8 Drawing Sheets



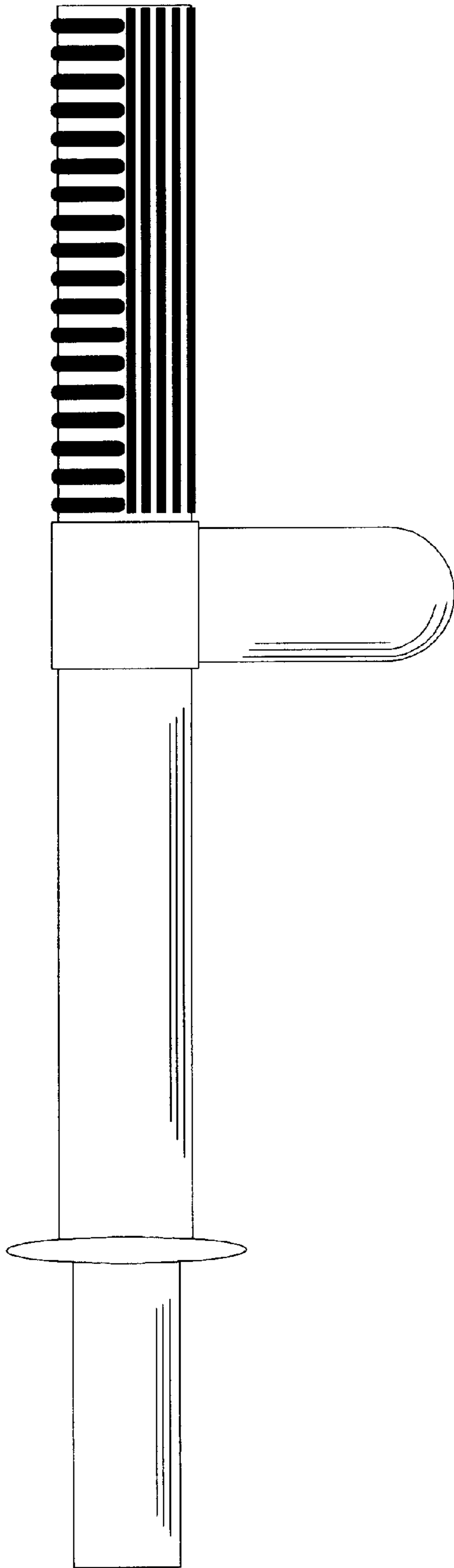


Fig. 1

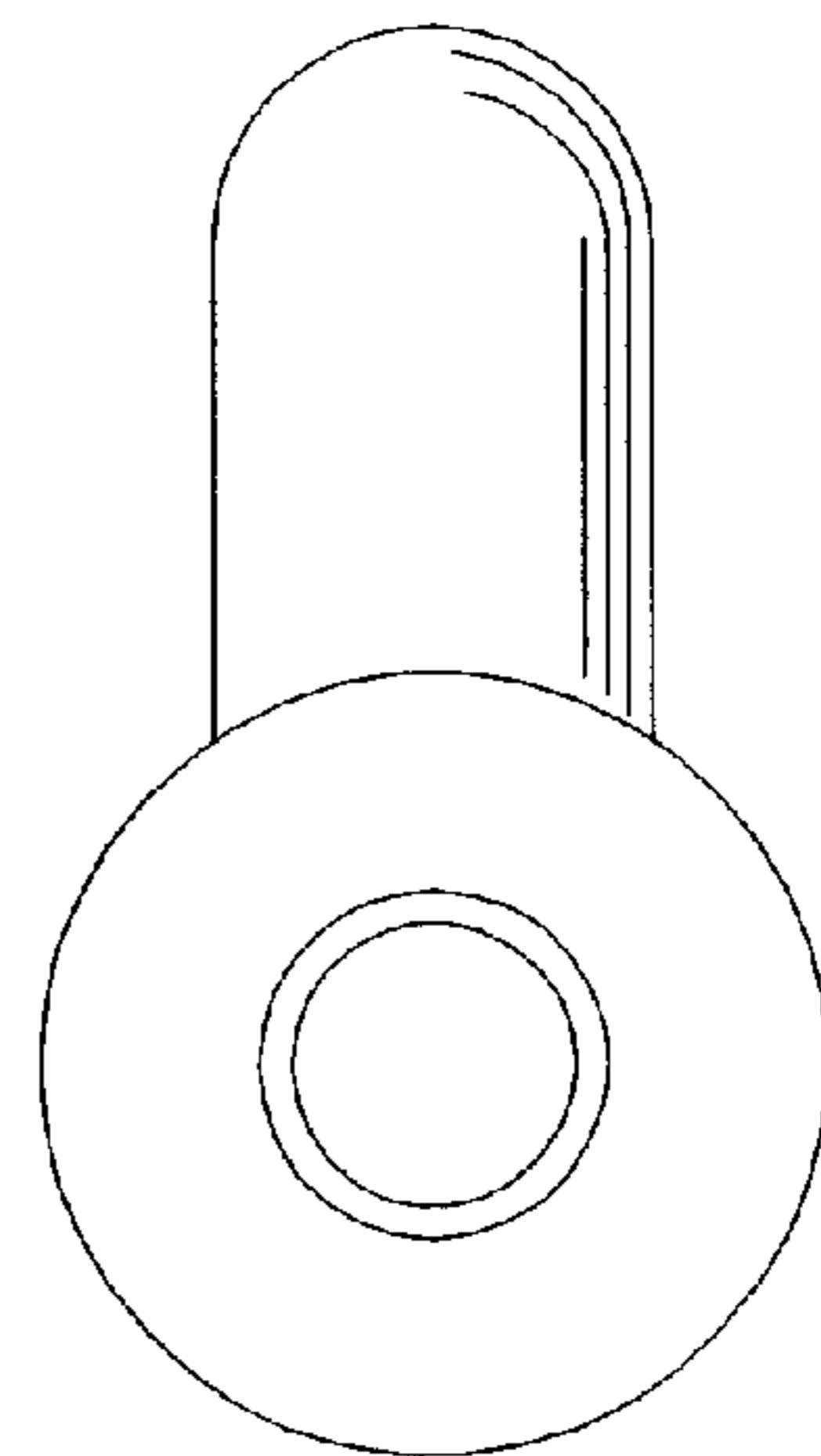


Fig. 2

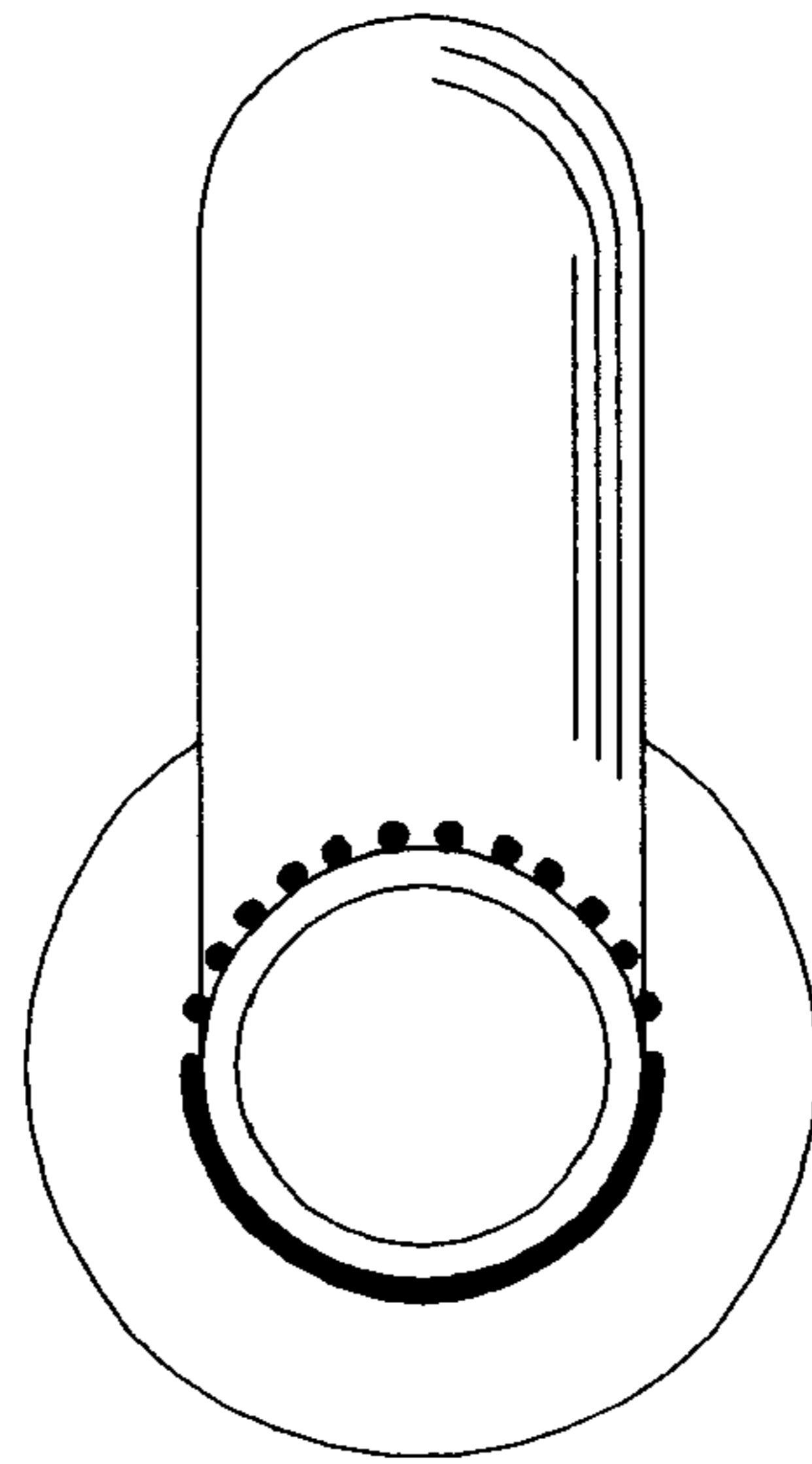


Fig. 3

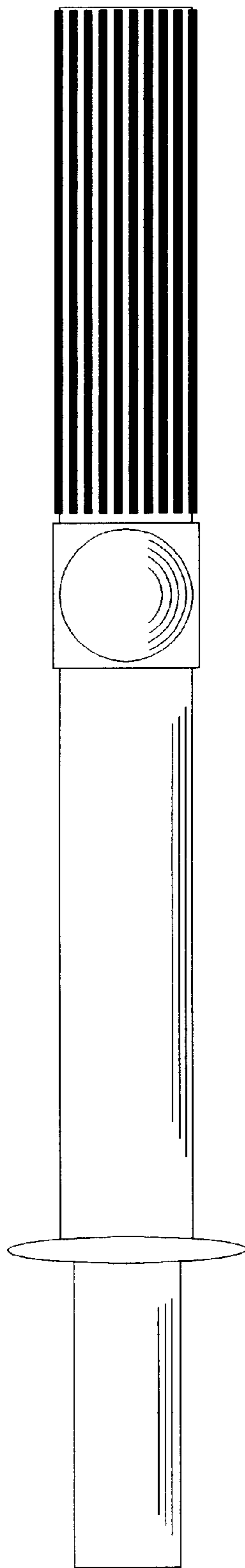


Fig. 4

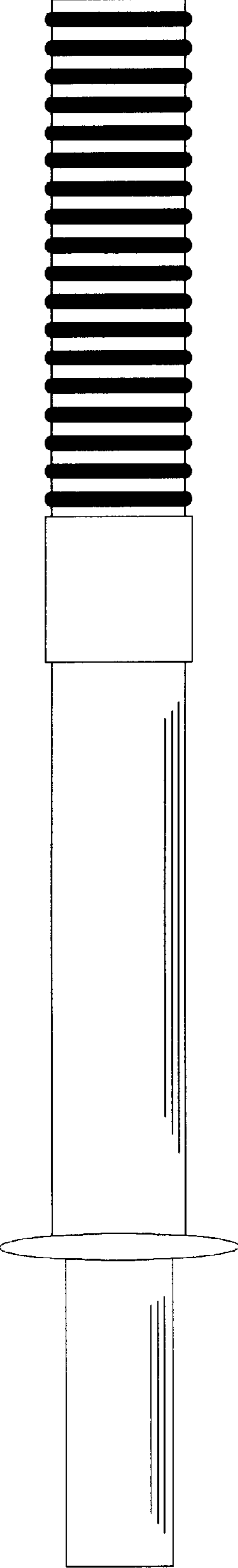


Fig. 5

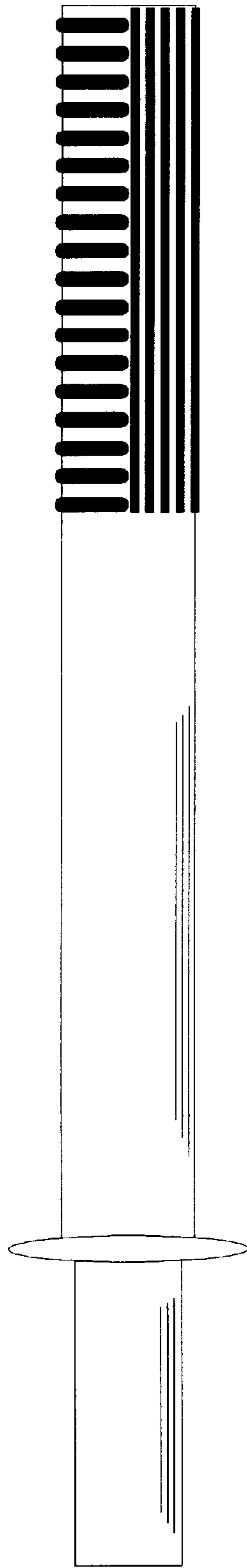


Fig. 6

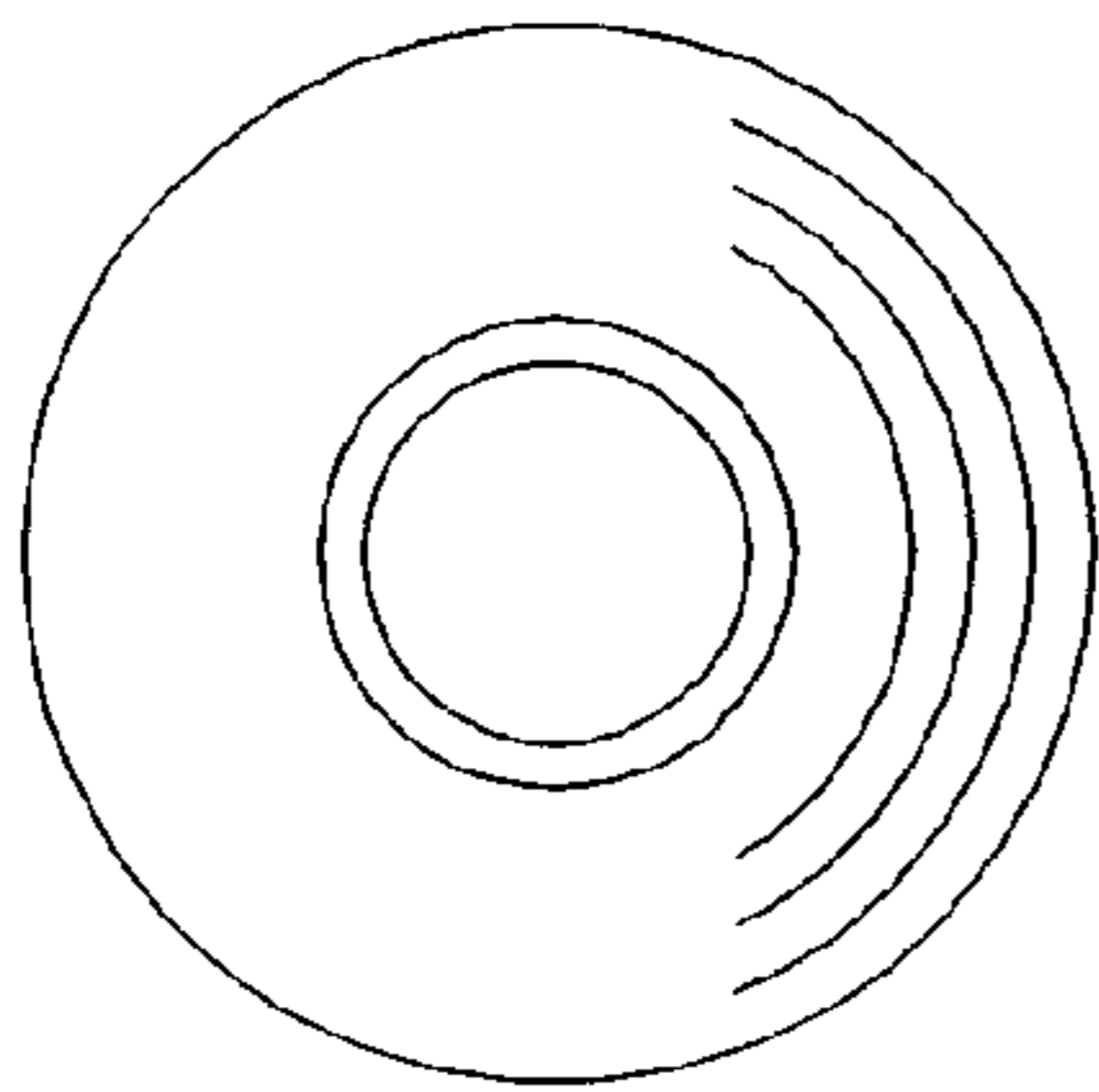


Fig. 7

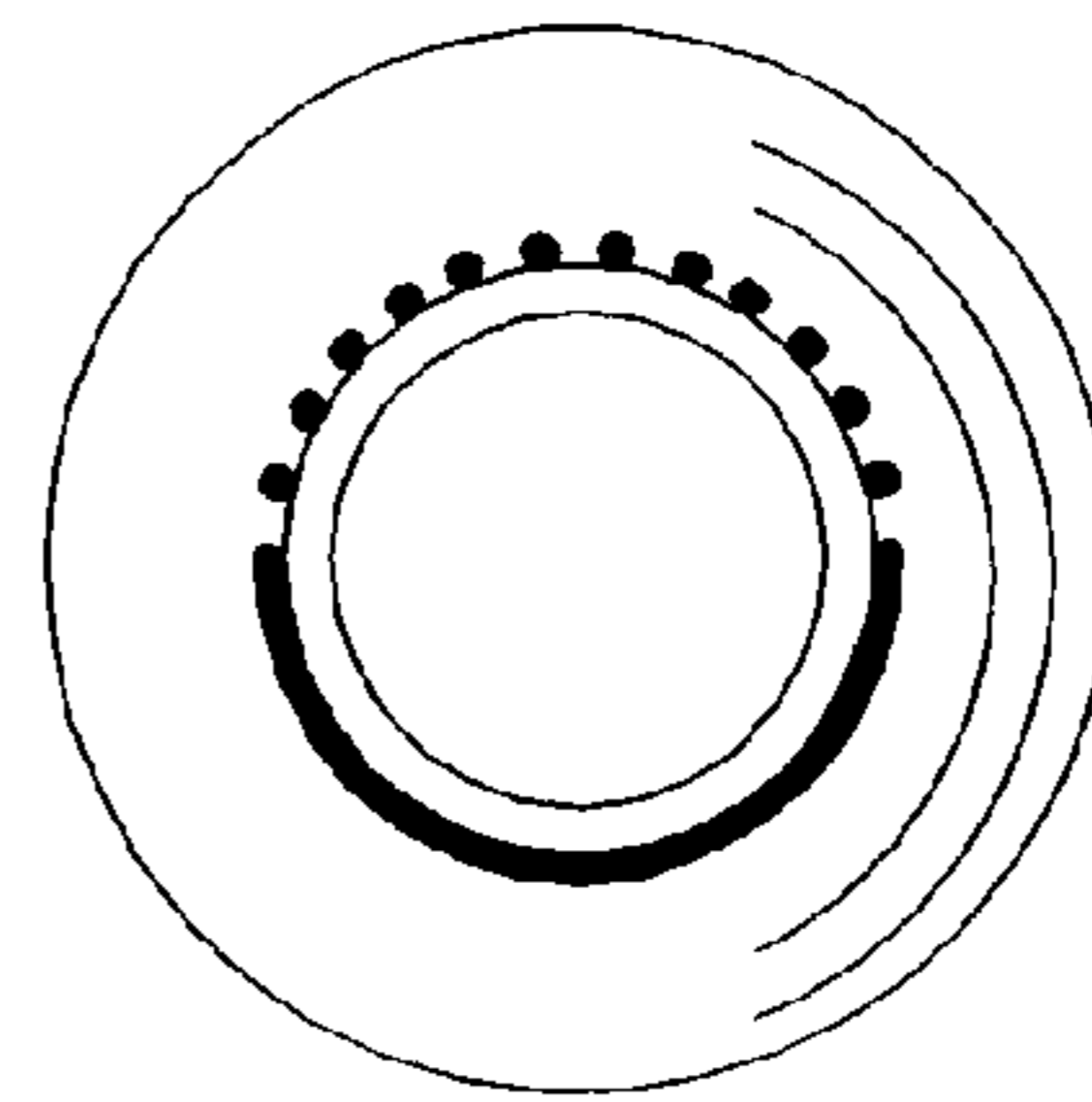


Fig. 8

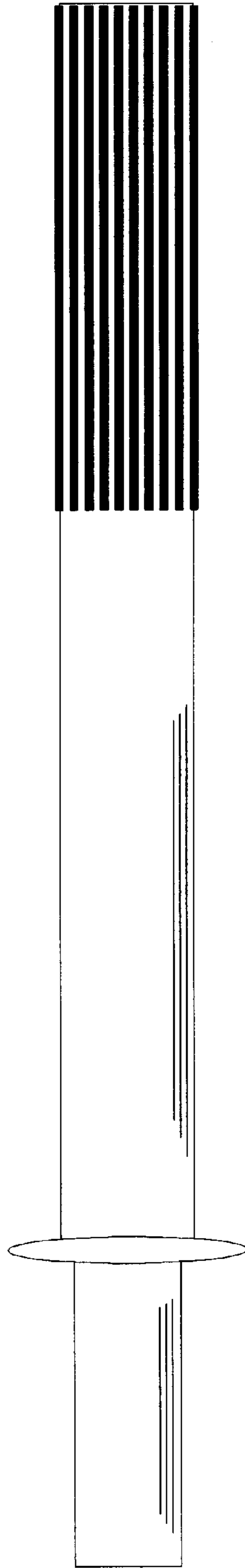


Fig. 9

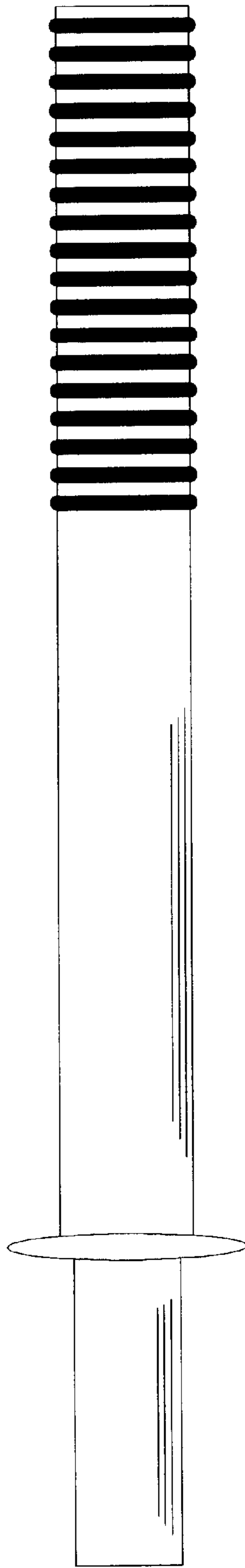


Fig. 10